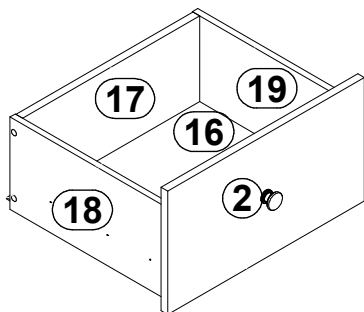


A	B	C1	C2	C3	D
1	S503-5005	134	50	50	2/3
2	S515-0002	442	240	15	1/3
3	S515-0015	728	442	19	1/3
4	S515-1025	935	413	50	2/3
5	S515-1026	935	413	50	2/3
6	S515-1027	786	391	15	2/3
7	S515-1029	786	391	15	2/3
8	S515-1030	786	391	15	2/3
9	S515-2010	1986	438	28	3/3
10	S515-3021	1837	373	15	3/3
11	S515-3003	447	362	15	1/3
12	S515-5208	1837	50	19	3/3
13	S515-9010	804	460	2,5	1/3
14	S515-9011	804	460	2,5	1/3
15	S515-9012	804	463	2,5	1/3
16	WSP-9329	408	358	2,5	1/3
17	ZK3-5060	398	167	15	1/3
18	ZK4-503	350	180	12	1/3
19	ZK4-504	350	180	12	1/3

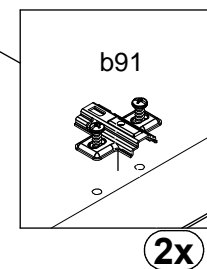
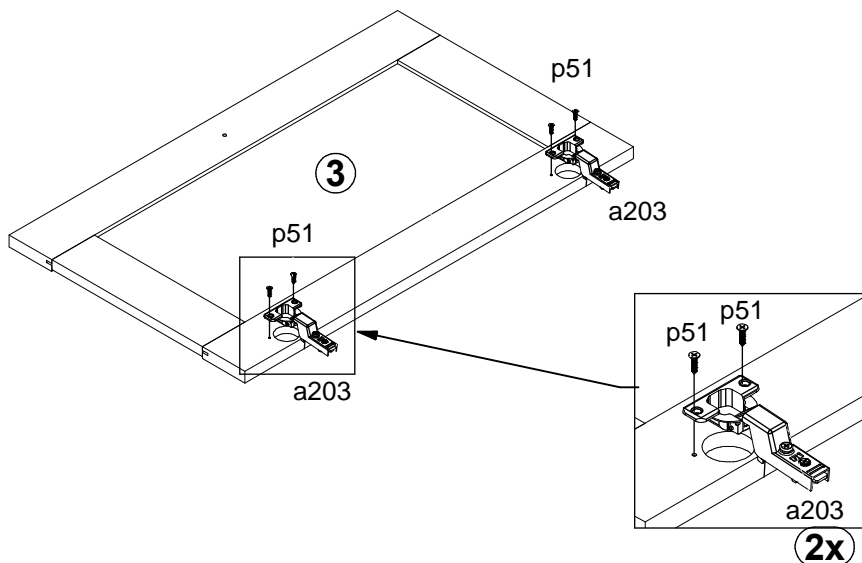
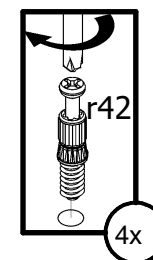
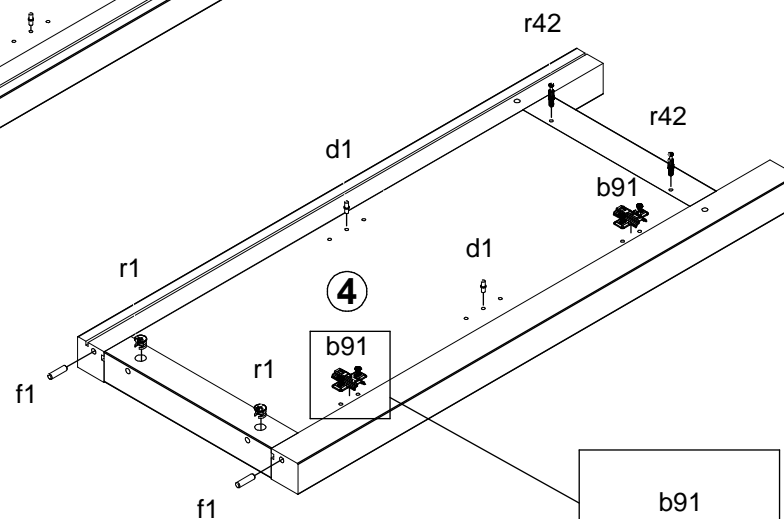
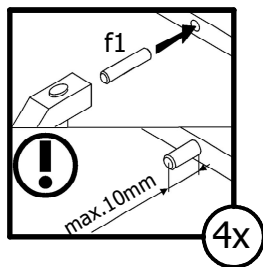
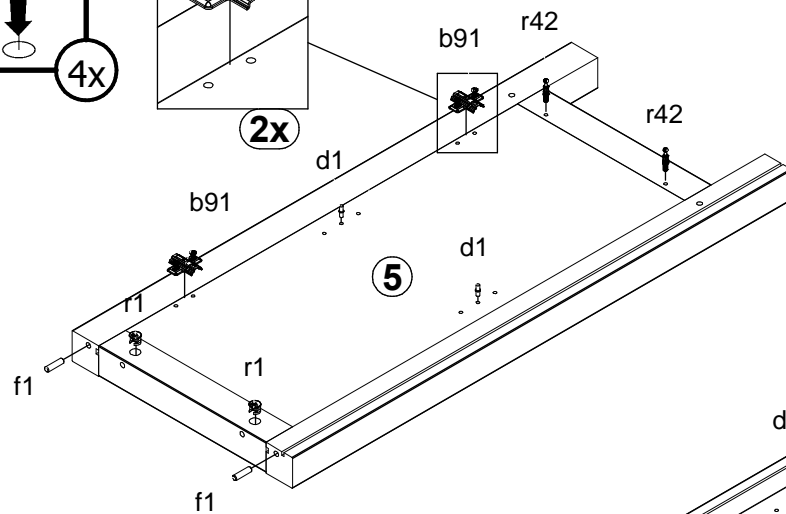
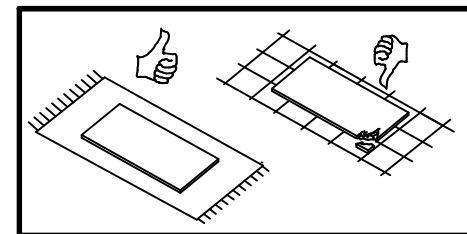
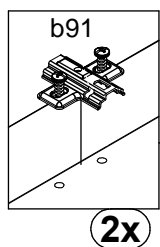
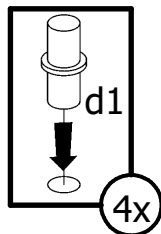
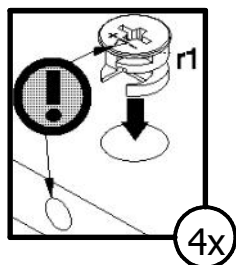
3x

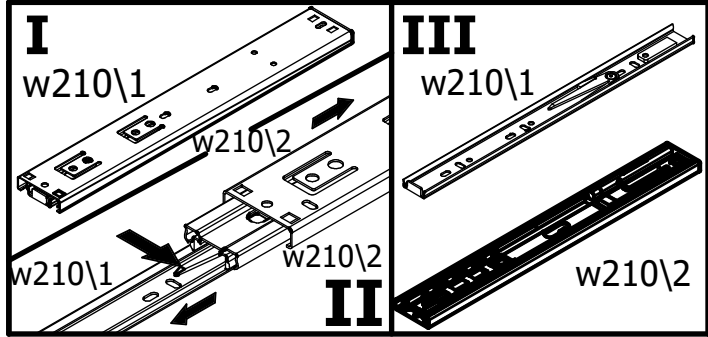


1x z1	12x Ø2,9x16 mm p55	12x 20x13x3,5/1 n108	8x d41/2
6x b91	6x a203	3x j8	6x k1
3x M4x22 mm j30	12x Ø5x17 mm d1	6x c475	18x l1
6x w210/1	6x Ø6,3x15 mm d4	8x Ø7x50 mm e1	44x Ø3,5x16 mm p38
6x w210/2	6x Ø6x30 mm f9	14x Ø15x12 mm #16 r1	12x Ø3,5x15 mm p51
6x w210/1	6x Ø6,3x15 mm d4	8x Ø7x50 mm e1	26x 20/11 r42
6x w210/2	6x Ø6x30 mm f9	12x Ø6,5x40 mm f25	6x Ø16 s2
6x w210/1	6x Ø6,3x15 mm d4	12x Ø12x10,5 mm #12 r15	20x Ø8x30 mm f1
6x w210/2	6x Ø6x30 mm f9	12x Ø6,5x40 mm f25	36x Ø3,5x12 mm p140
2x f35	2x p17	4x p38	2x n14/2

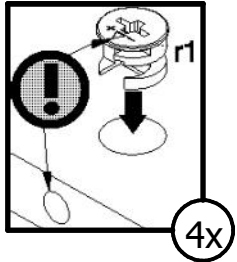
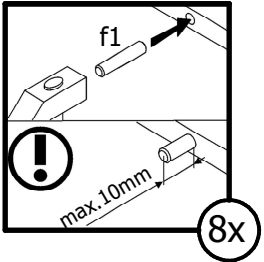
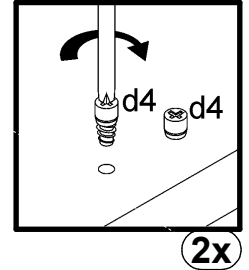
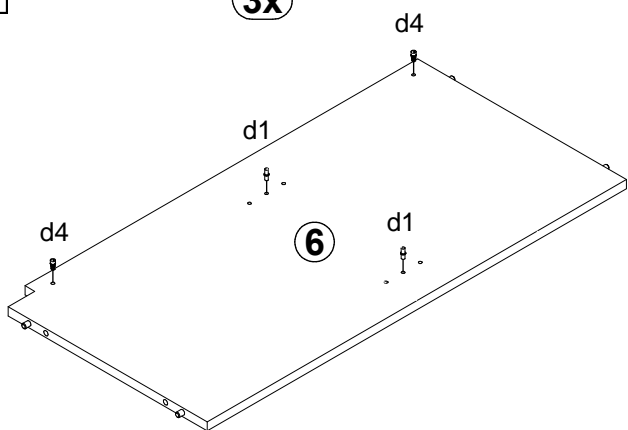
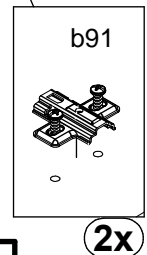
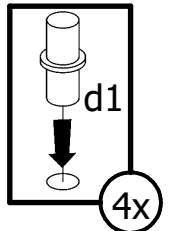
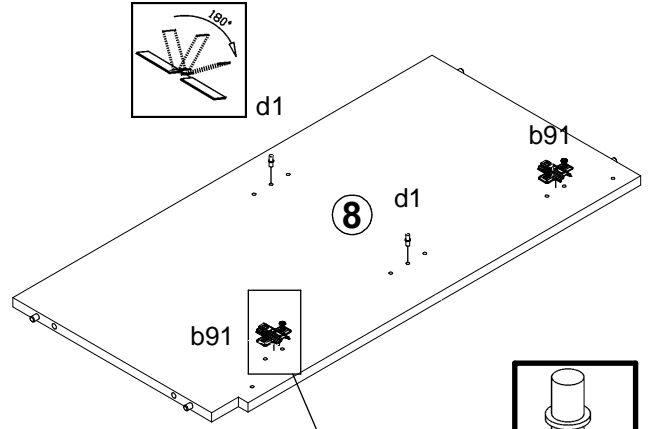
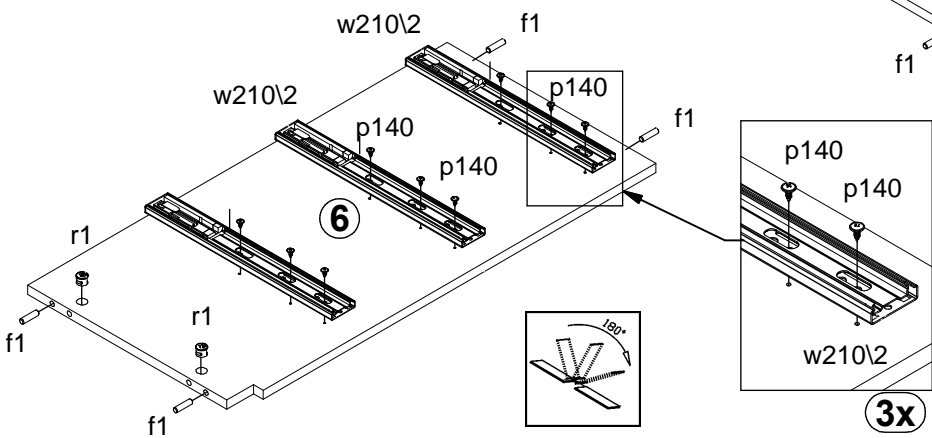
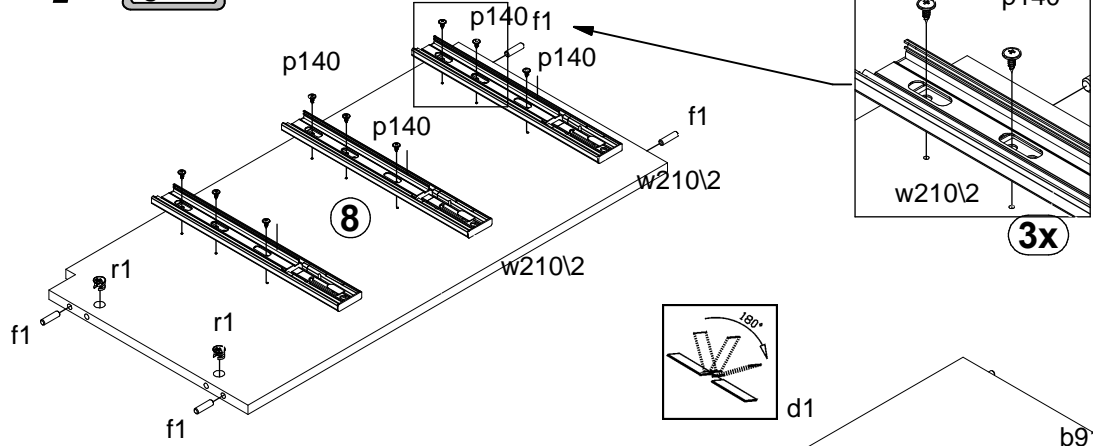


1 

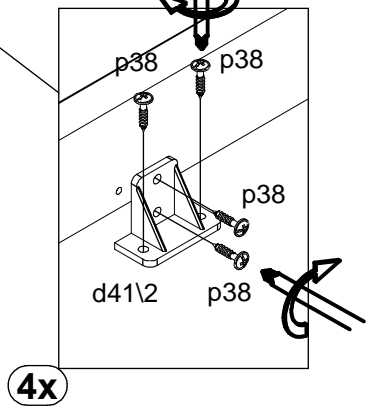
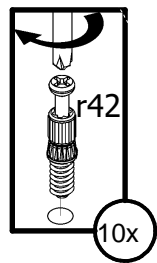
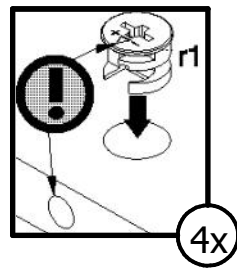
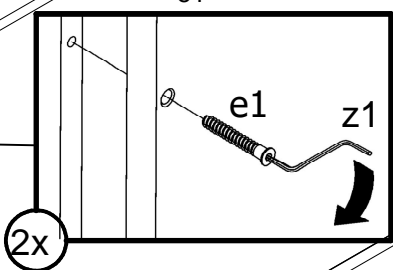
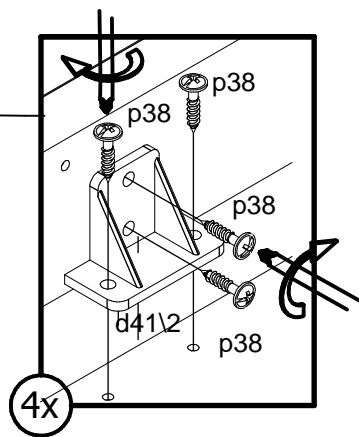
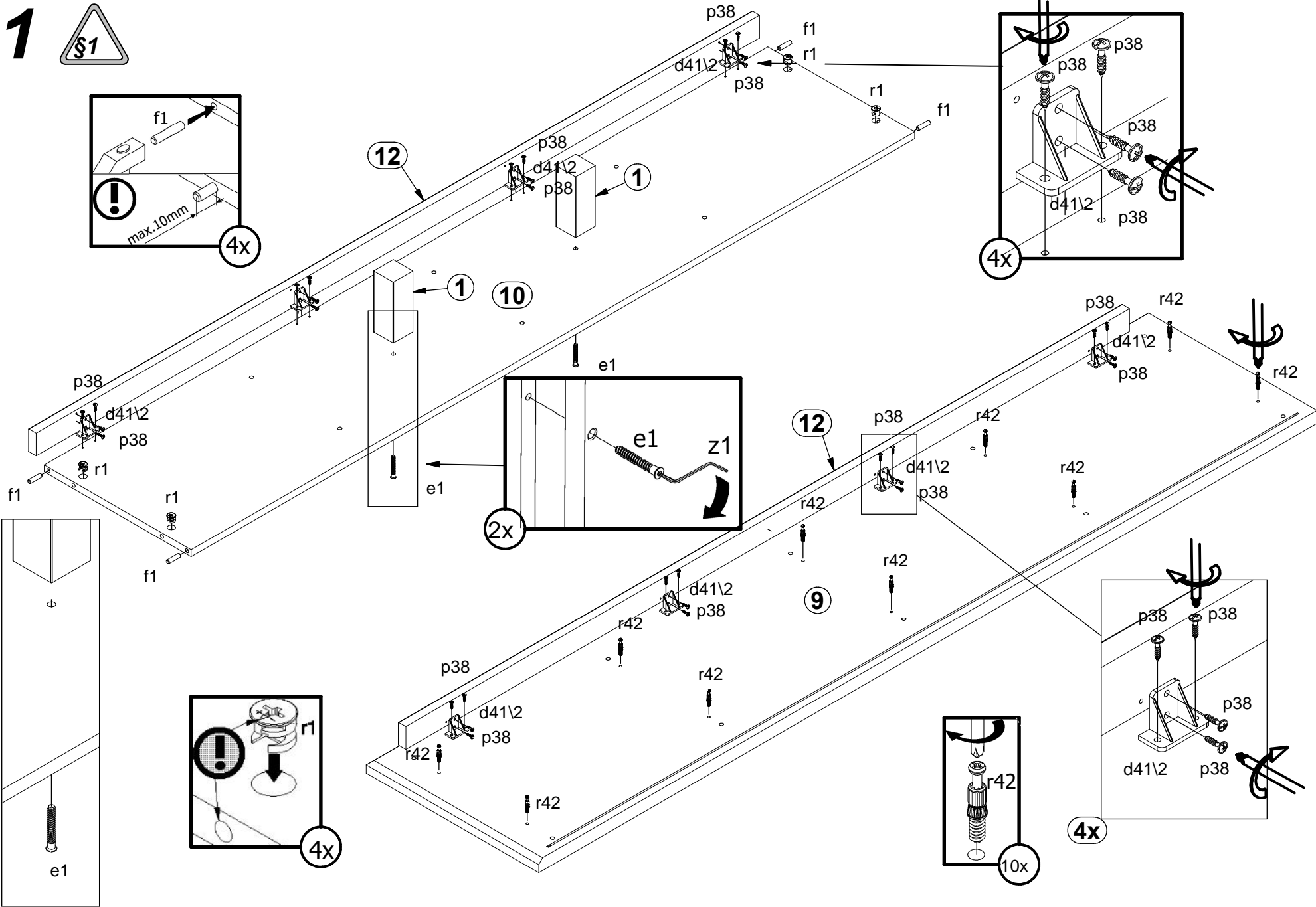
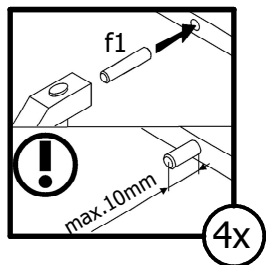


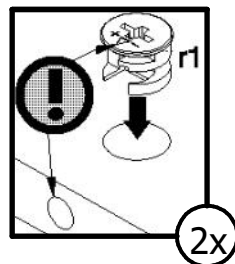
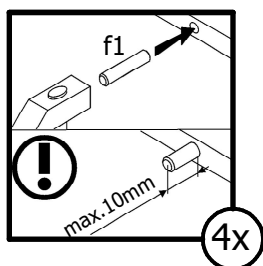
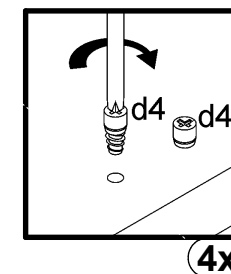
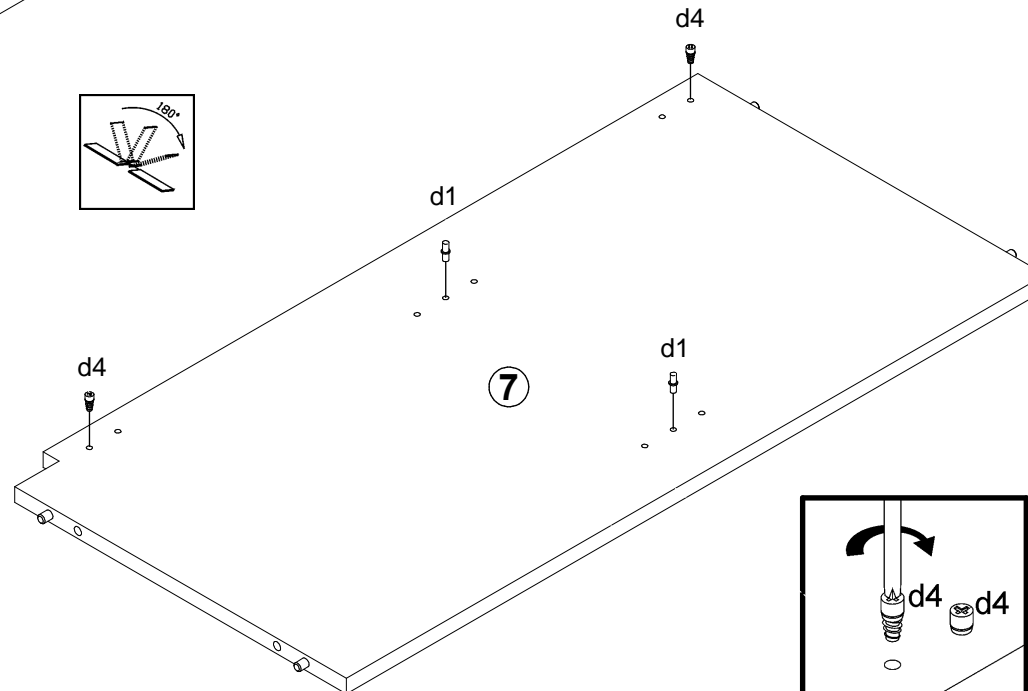
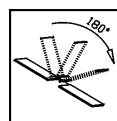
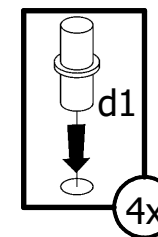
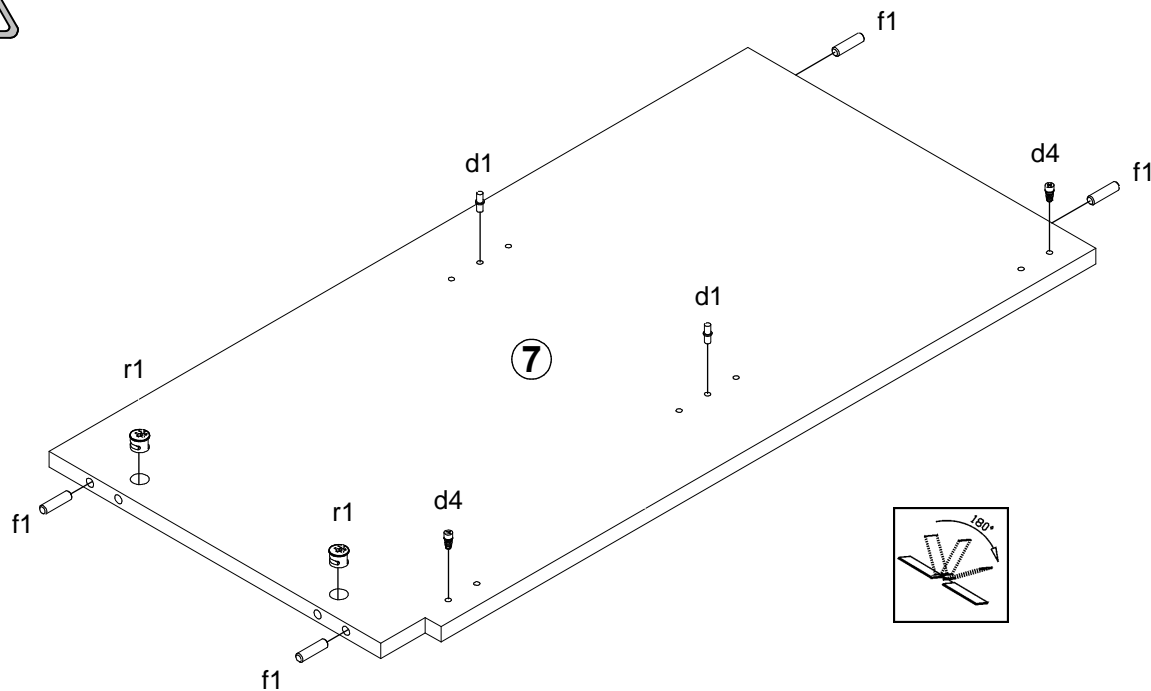


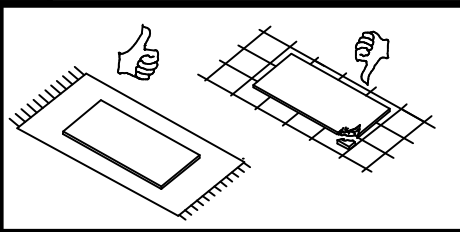
1



1

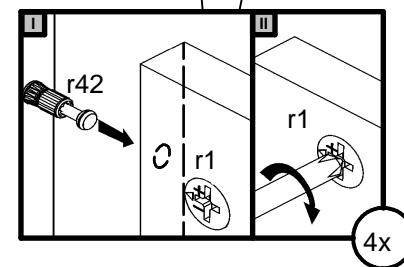
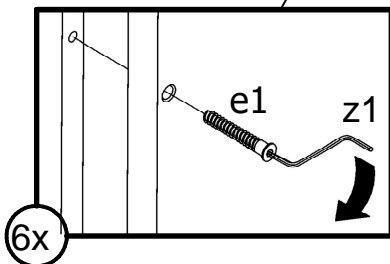
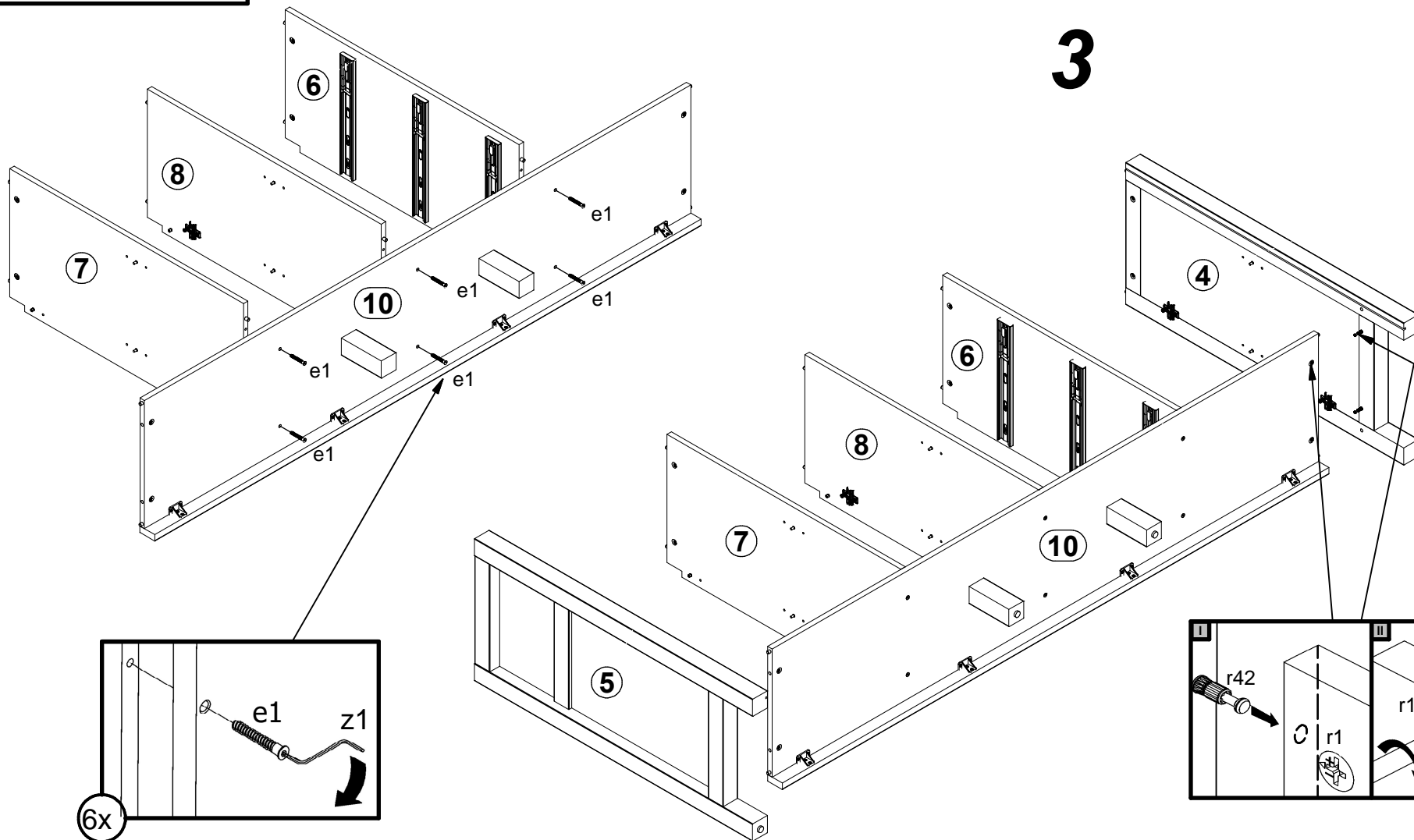






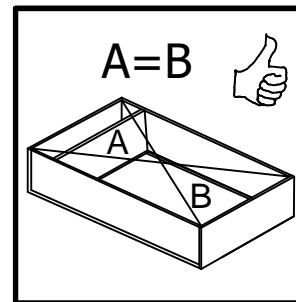
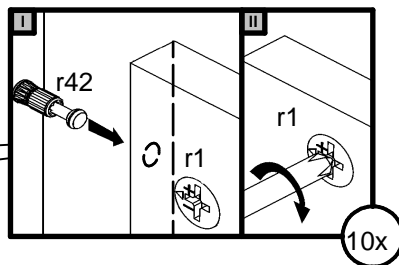
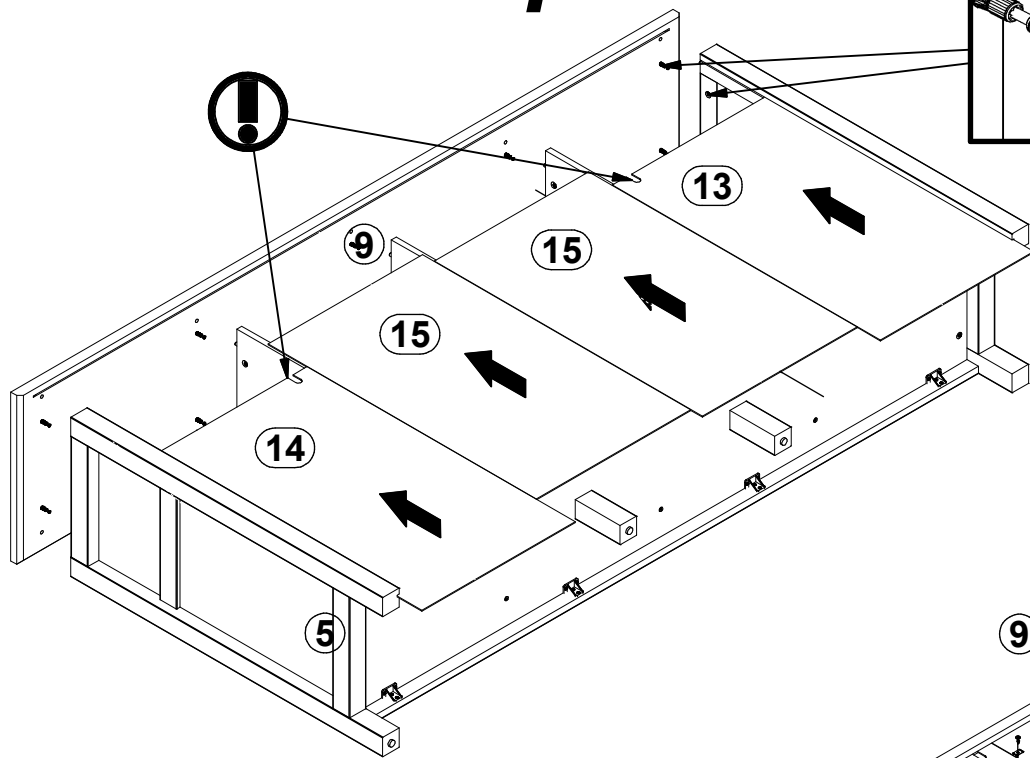
2

3

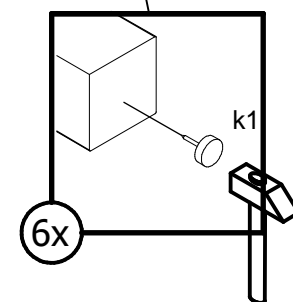
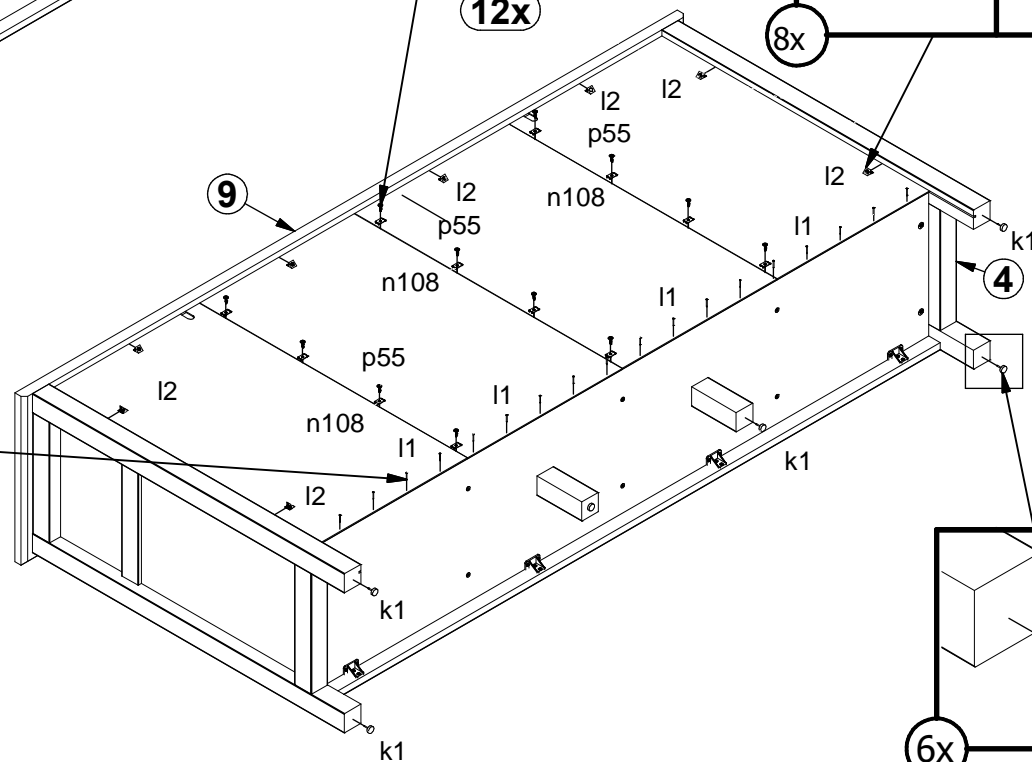
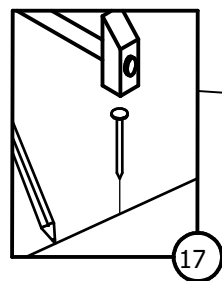
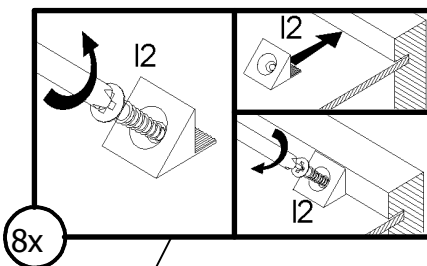
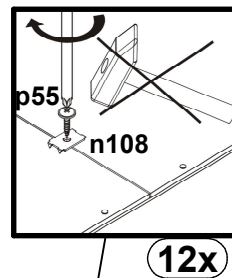




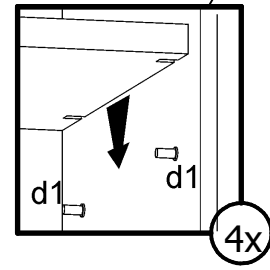
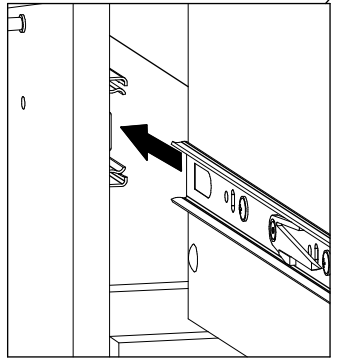
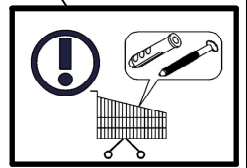
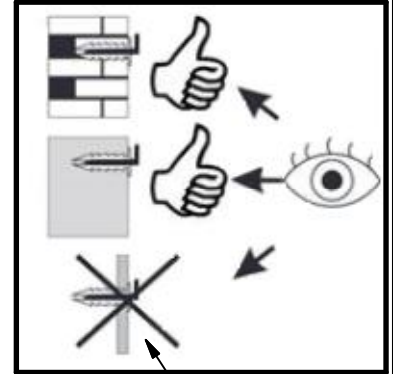
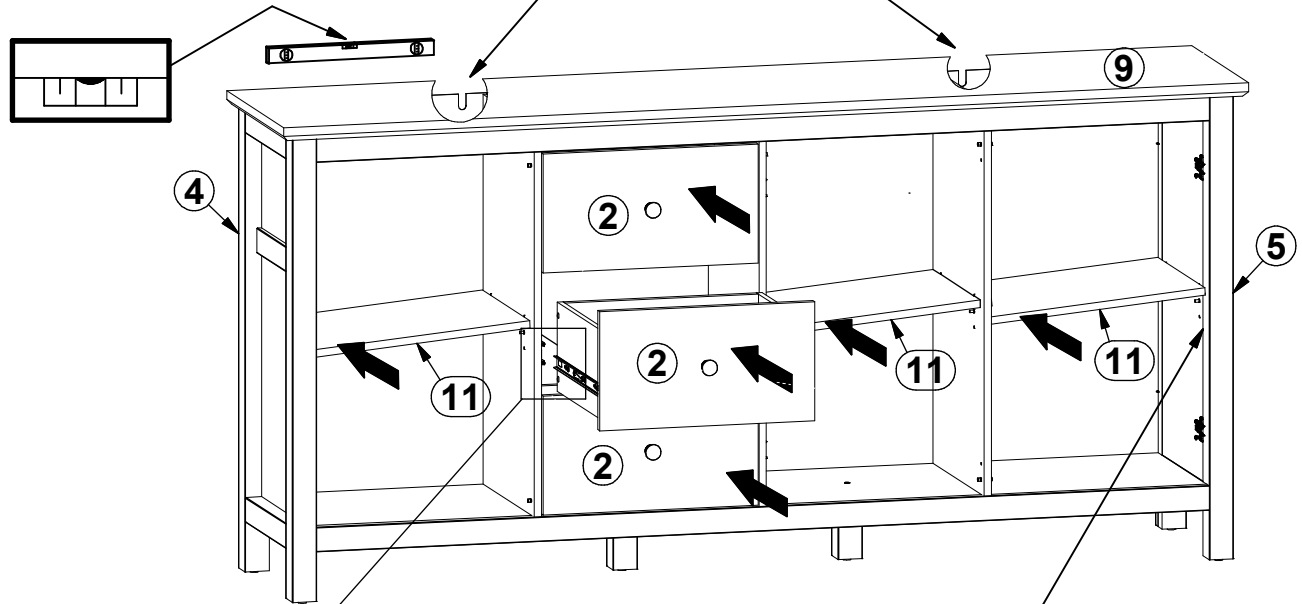
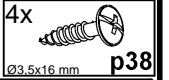
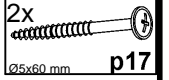
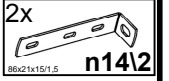
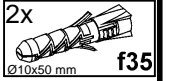
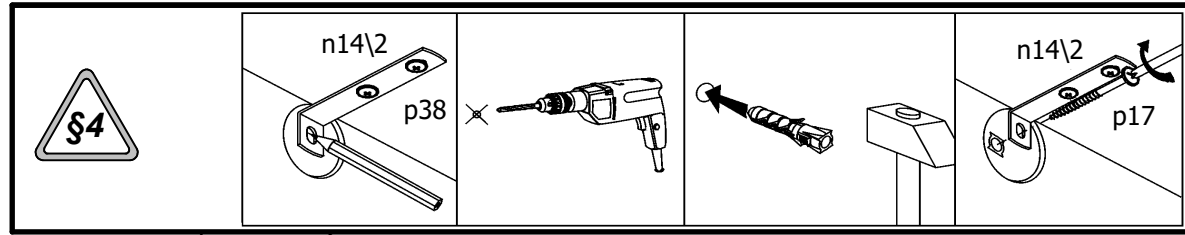
4



5



10



11

