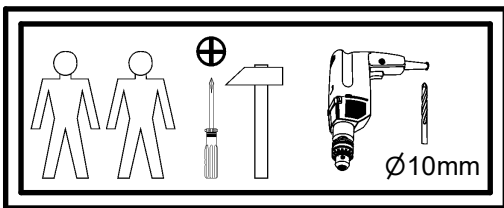
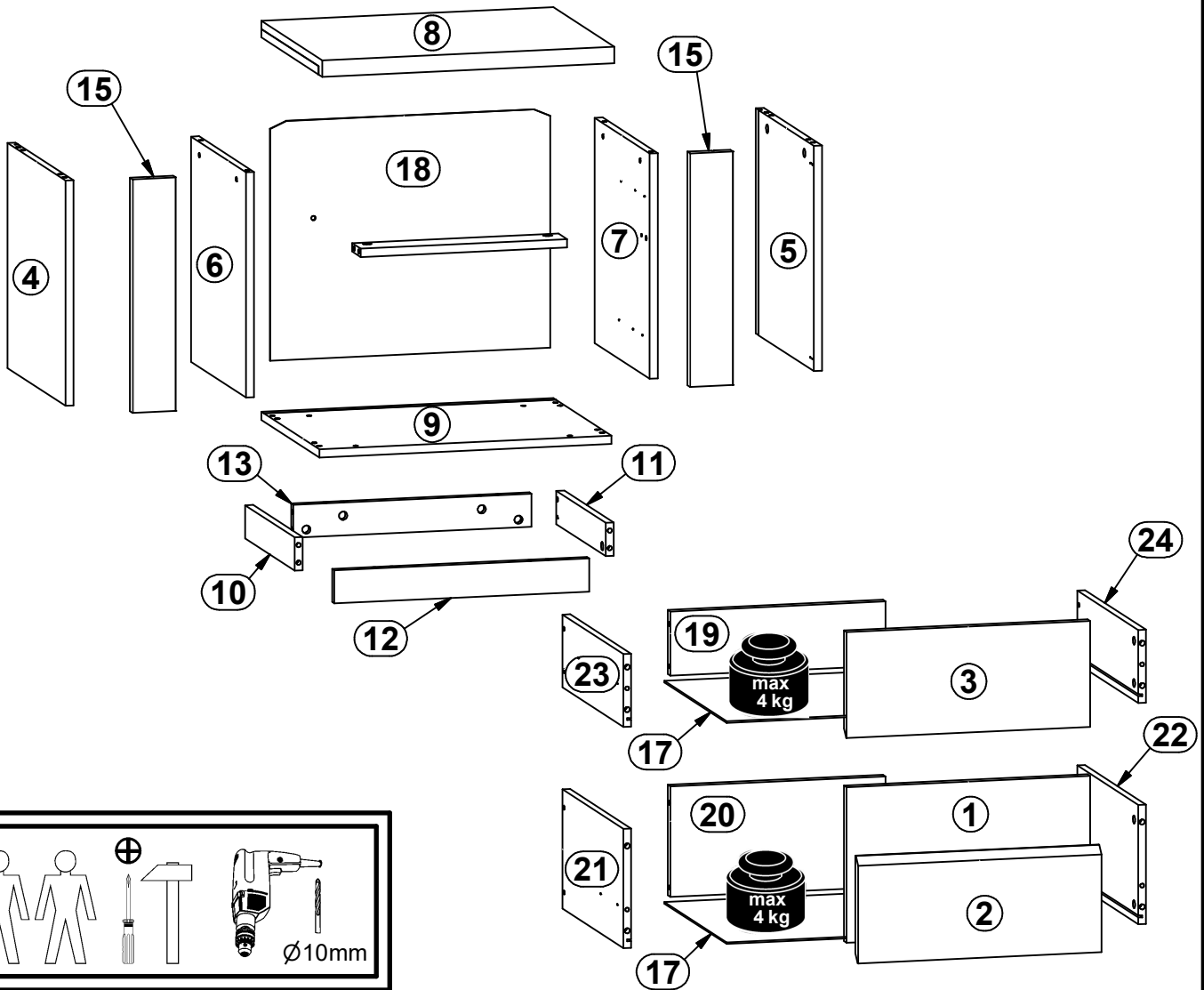
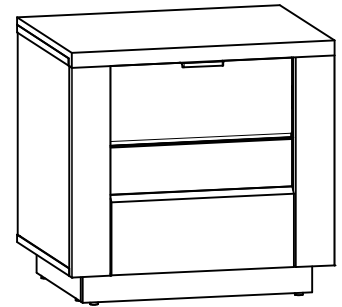
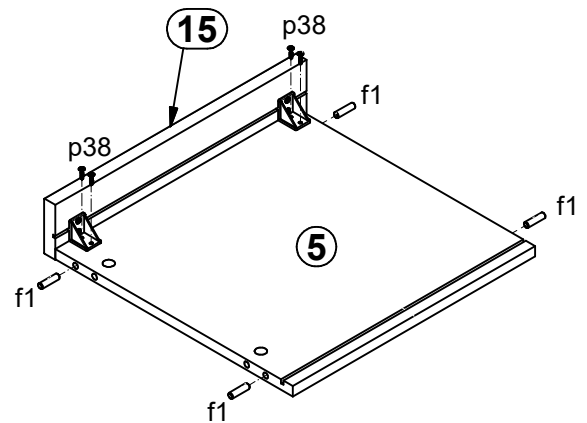
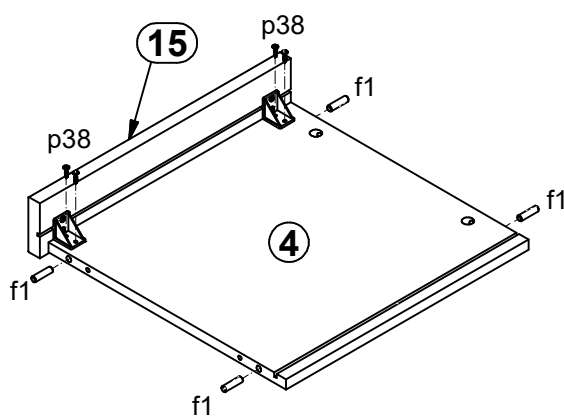
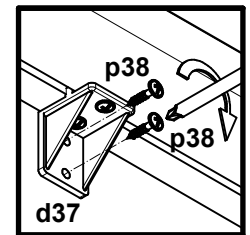
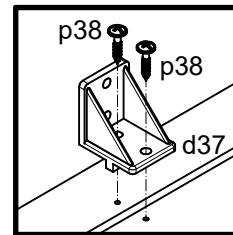
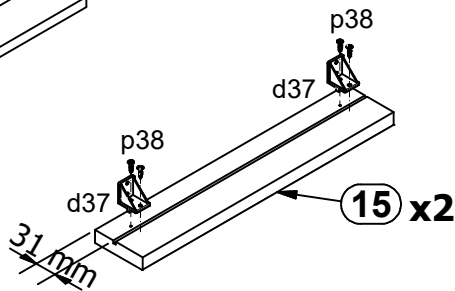
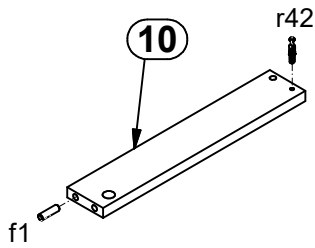
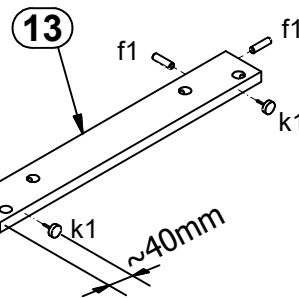
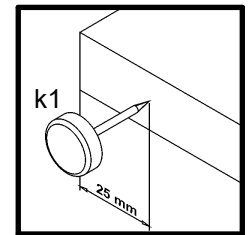
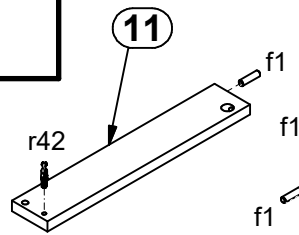
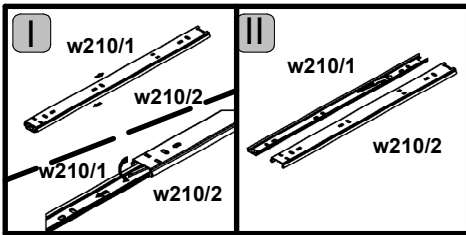
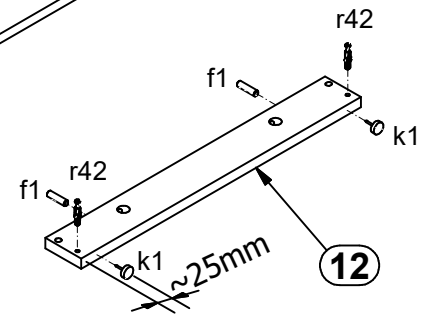
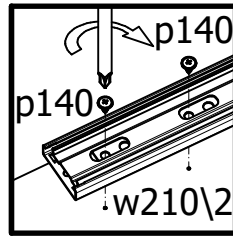
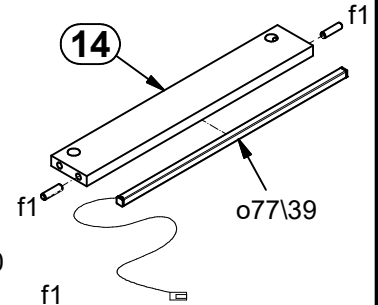
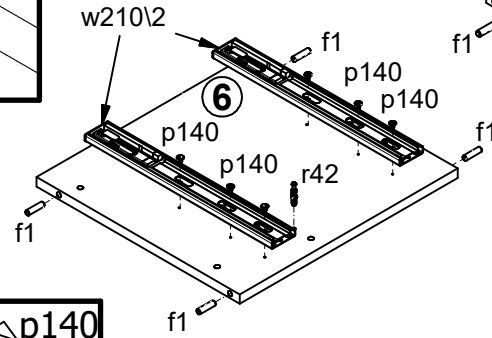
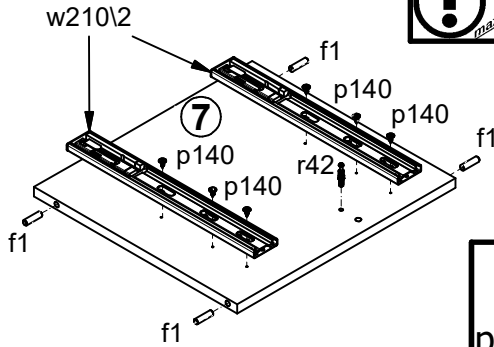
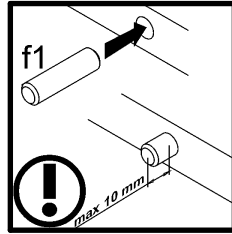
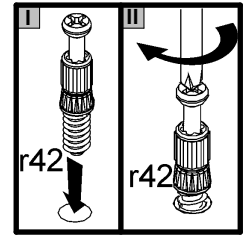
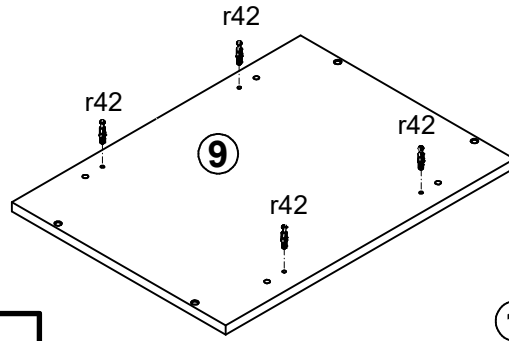
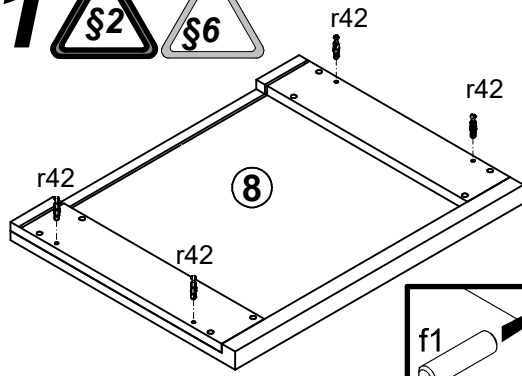


A	B	C	D	A	B	C	D		
1	S467-0007	375	235	1/1	13	S467-4007	440	60	1/1
2	S467-0008	375	160	1/1	14	S467-4008	381	60	1/1
3	S467-0009	375	160	1/1	15	S467-5003	423	80	1/1
4	S467-1006	408	400	1/1	17	S467-9003	342	357	1/1
5	S467-1007	408	400	1/1	18	S467-9004	433	518	1/1
6	S467-1008	408	380	1/1	19	ZK3-5068	331	97	1/1
7	S467-1009	408	380	1/1	20	ZK3-5104	331	167	1/1
8	S467-2003	540	420	1/1	21	ZK4-503	350	180	1/1
9	S467-2004	540	400	1/1	22	ZK4-504	350	180	1/1
10	S467-4001	341	60	1/1	23	ZK4-523	350	110	1/1
11	S467-4002	341	60	1/1	24	ZK4-524	350	110	1/1
12	S467-4006	471	60	1/1					

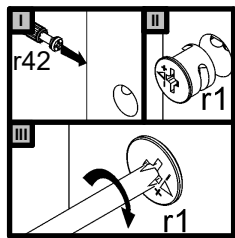
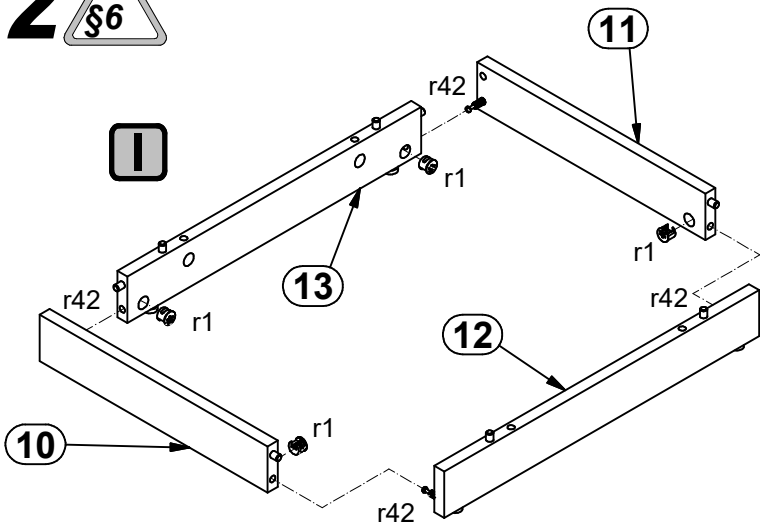


1x 64 mm c485	4x d37	4x Ø7x50 mm e1	26x Ø8x30 mm f1	4x Ø6x30 mm f9	8x Ø6.5x40 mm f25	4x k1	4x l2	2x Ø3.5x13 mm p1
22x Ø3.5x16 mm p38	4x Ø4x28 mm p94	24x Ø3.5x12 mm p140	14x Ø15x12 mm #16 r1	8x Ø12x10.5 mm #12 r15	22x 20/11 r42	4x w210/1	4x L-350 mm w210/2	1x 4 mm z1
1x 10x10 mm L=375 mm o77/39	2x 10x18 mm o83/4	1x 6W o70/9						
						1x n26	1x Ø3.5x16 mm p38	

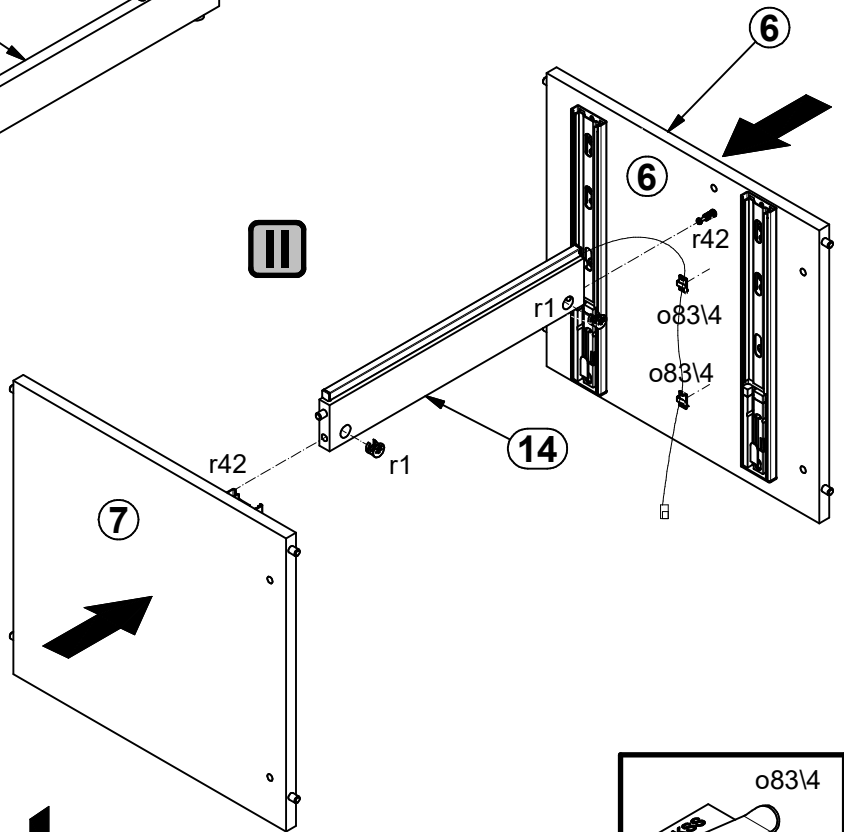
1  



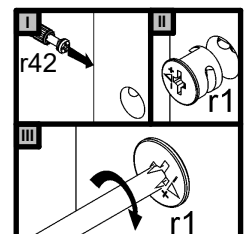
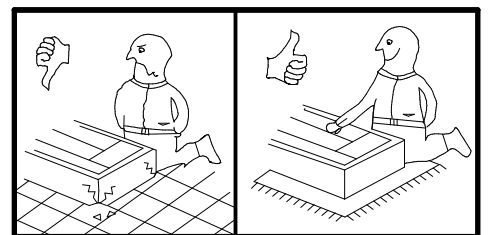
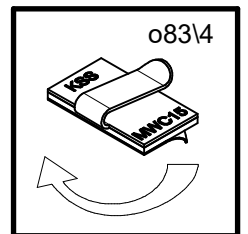
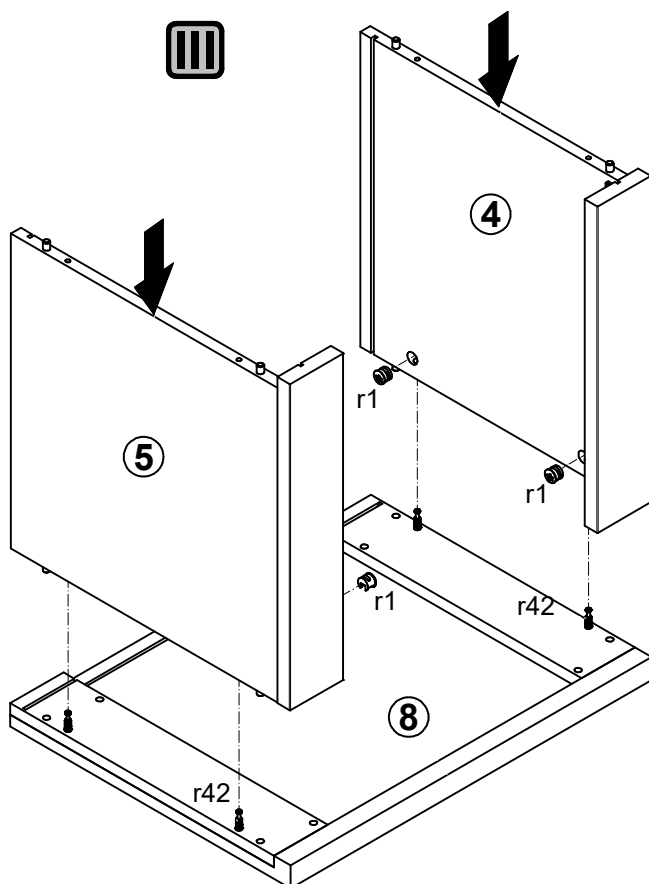
2



II

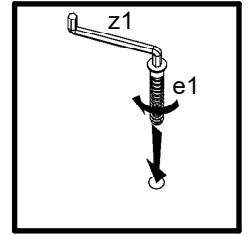
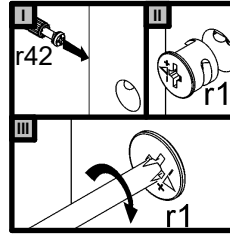
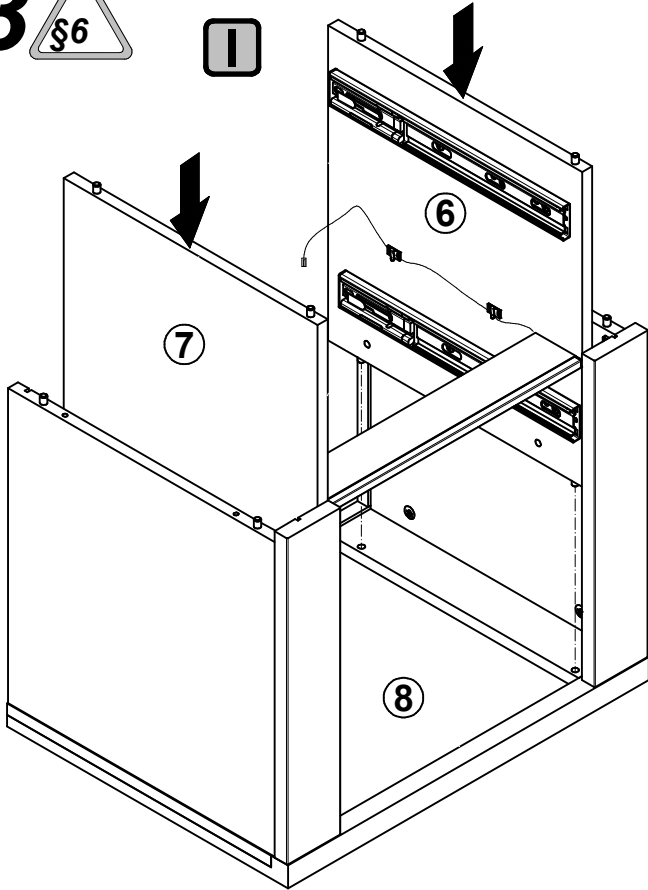


III

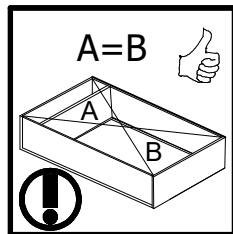
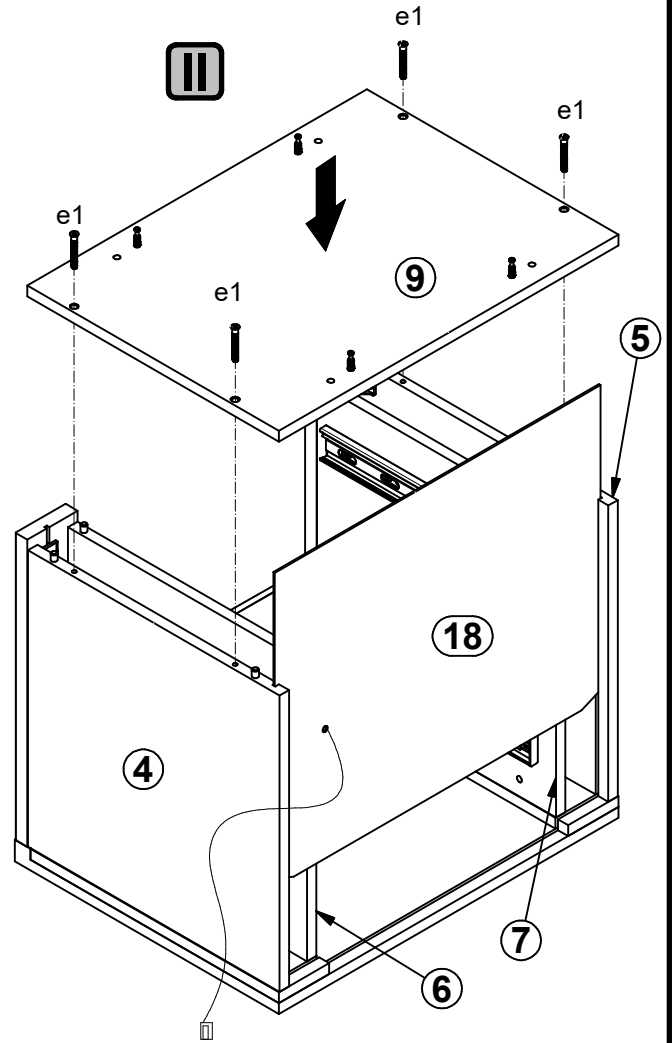


3 

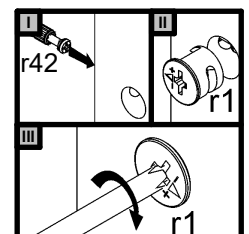
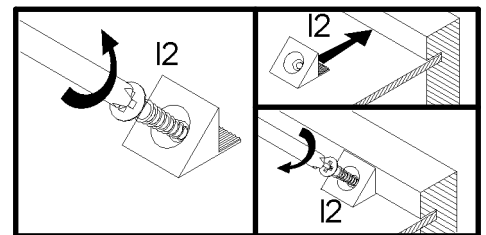
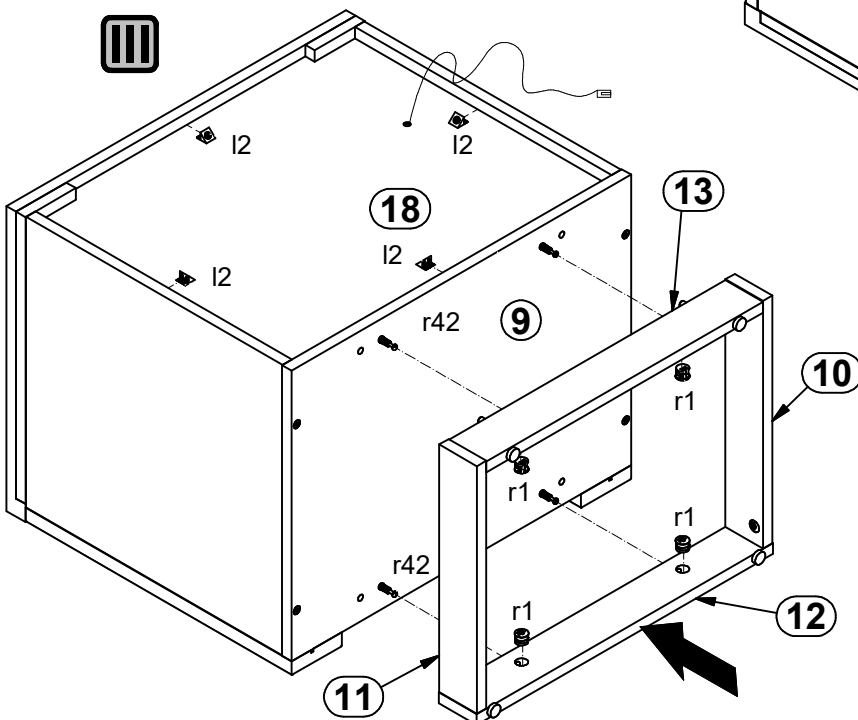
I



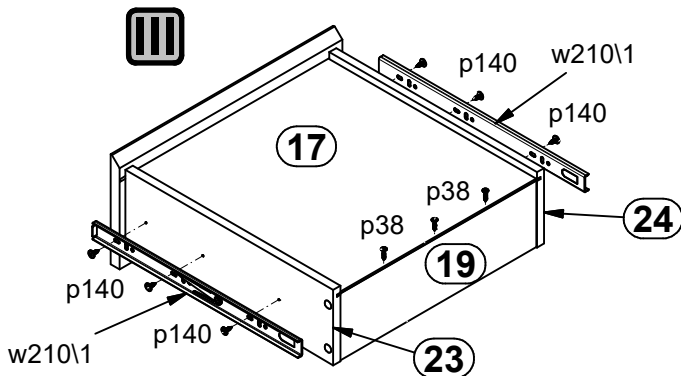
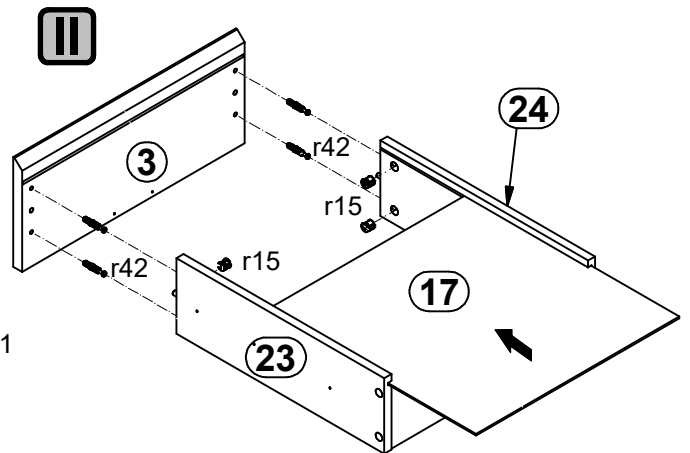
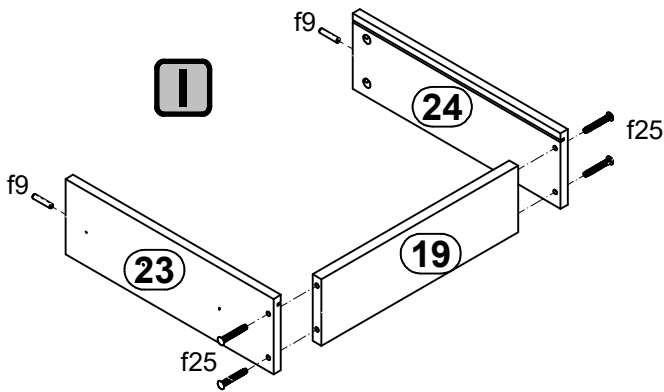
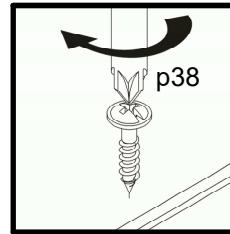
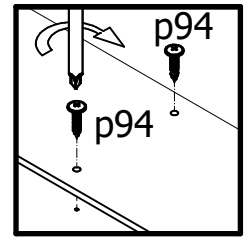
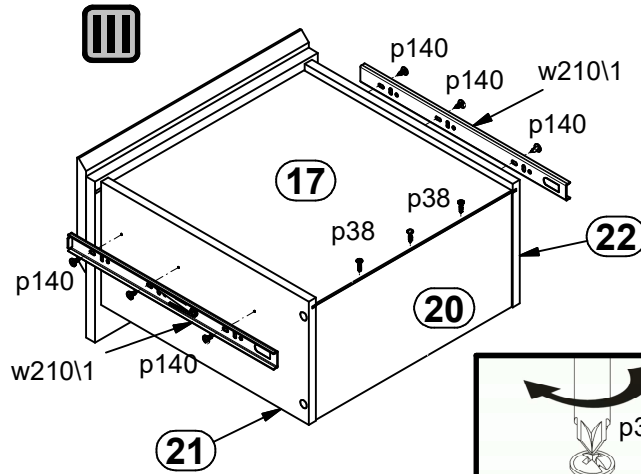
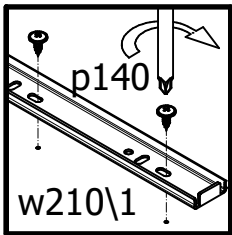
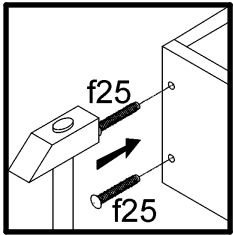
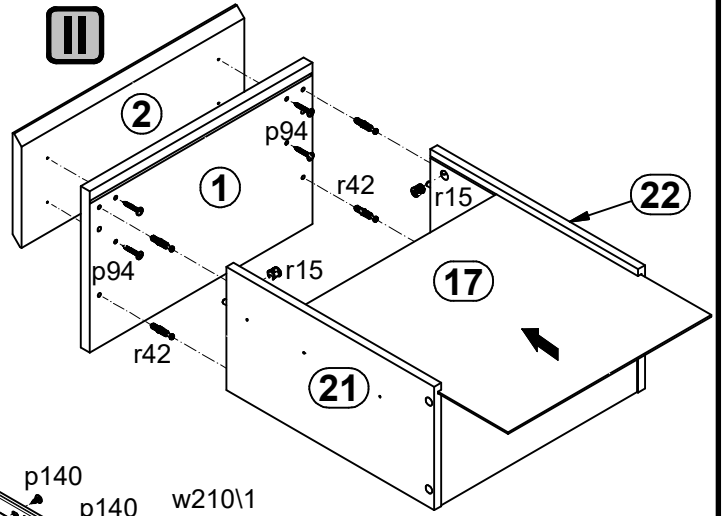
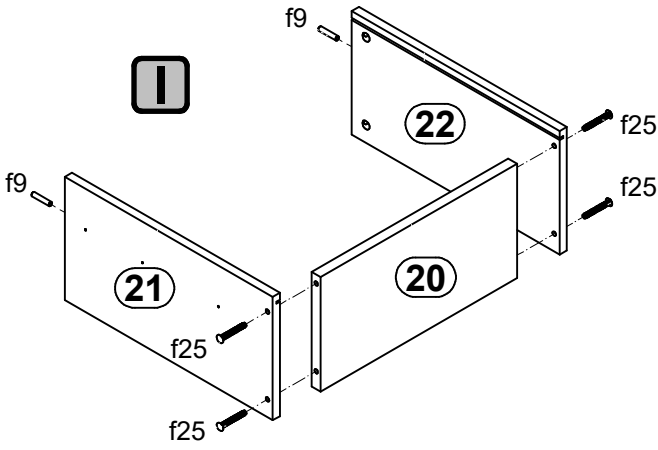
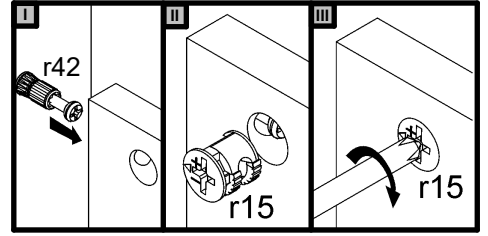
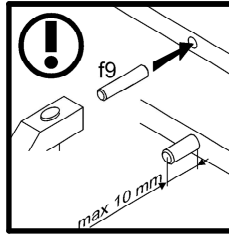
II



III



4  §2  §6



5  S6

