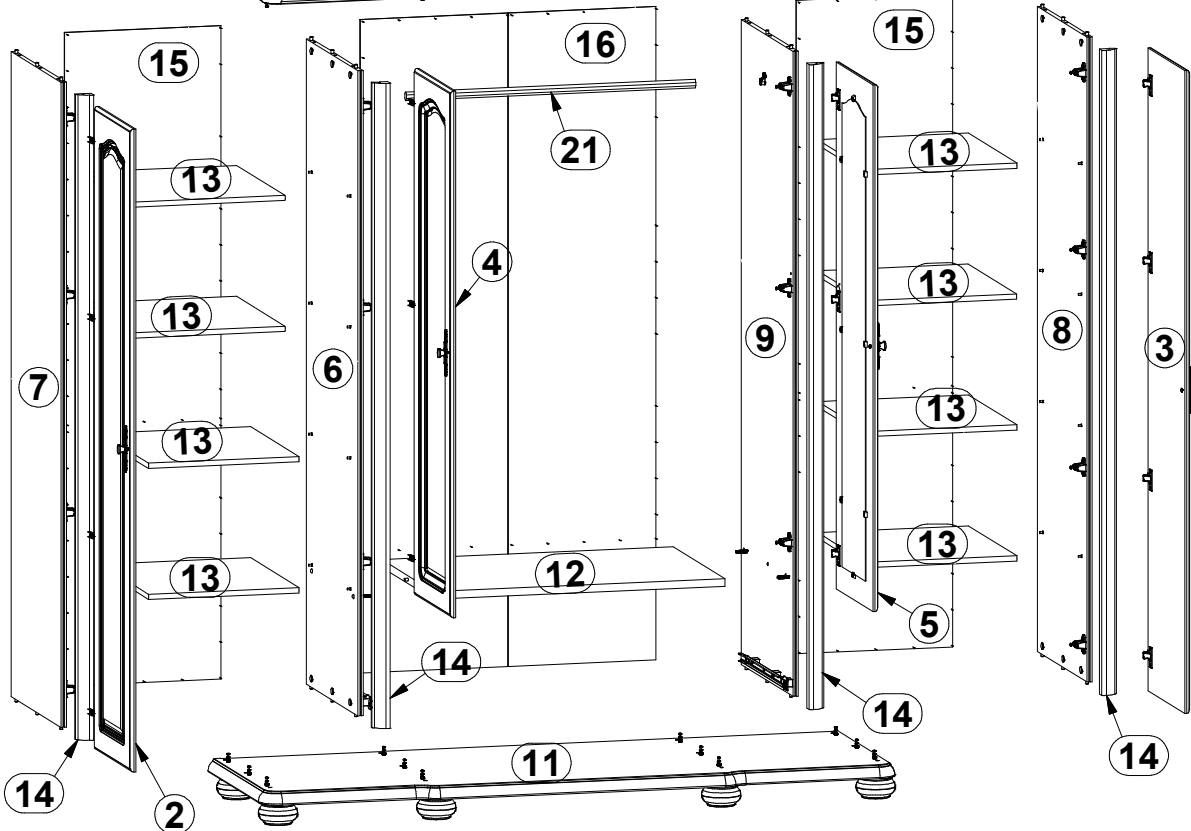
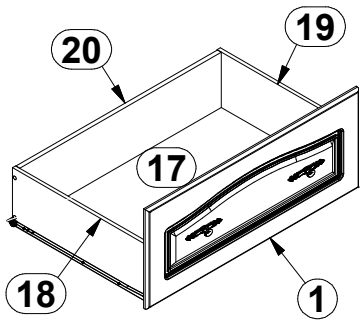




Do montázu potřebné są:  
 Nezbytné během montáže:  
 You need for fitting-up:  
 Az Összeszereléshez szükséges:  
 Počas montáže potrebne:

| A  | B        | C1   | C2   | C3  | D   |
|----|----------|------|------|-----|-----|
| 1  | S41-0027 | 323  | 796  | 16  | 6/8 |
| 2  | S41-0028 | 1814 | 396  | 16  | 4/8 |
| 3  | S41-0029 | 1814 | 396  | 16  | 4/8 |
| 4  | S41-0030 | 1486 | 396  | 19  | 5/8 |
| 5  | S41-0031 | 1486 | 396  | 19  | 5/8 |
| 6  | S41-1040 | 1820 | 555  | 15  | 1/8 |
| 7  | S41-1045 | 1820 | 538  | 15  | 1/8 |
| 8  | S41-1046 | 1820 | 538  | 15  | 1/8 |
| 9  | S41-1047 | 1820 | 555  | 15  | 1/8 |
| 10 | S41-2028 | 1852 | 626  | 47  | 3/8 |
| 11 | S41-2029 | 1830 | 616  | 38  | 3/8 |
| 12 | S41-3023 | 839  | 555  | 22  | 2/8 |
| 13 | S41-3024 | 433  | 523  | 15  | 2/8 |
| 14 | S41-5007 | 1820 | 47   | 32  | 7/8 |
| 15 | S41-9005 | 1844 | 450  | 2,5 | 1/8 |
| 16 | S41-9314 | 1844 | 851, | 2,5 | 1/8 |
| 17 | WSP-9307 | 776  | 508  | 2,5 | 2/8 |
| 18 | ZS7-501  | 500  | 180  | 12  | 2/8 |
| 19 | ZS7-502  | 500  | 180  | 12  | 2/8 |
| 20 | ZS7-5049 | 754  | 180  | 15  | 2/8 |
| 21 | dr-834   |      |      |     | 2/8 |



|                       |                       |                       |         |          |          |          |         |                       |
|-----------------------|-----------------------|-----------------------|---------|----------|----------|----------|---------|-----------------------|
| 14x  a172             | 14x  b85              | 6x  c69               | 32x  d1 | 4x  d4   | 4  e1    | 6x  e16  | 6x  e19 | 2x  f9                |
| 24x  f1               | 24x  f11              | 4x  f25               | 6x  f27 | 6x  j8   | 6x  k47  | 170x  l1 | 2x  n1  | 2x  p1                |
| 1x  p25               | 28x  p51              | 24x  r1               | 4x  r15 | 28x  r42 | 4x  s1   | 24x  s2  | 1x  t34 | 1x  w26 <sup>CL</sup> |
| 1x  w26 <sup>CR</sup> | 1x  w26 <sup>DL</sup> | 1x  w26 <sup>DR</sup> | 6x  w36 | 1x  z1   | 1x  y1/2 | 1x  p35  |         |                       |

