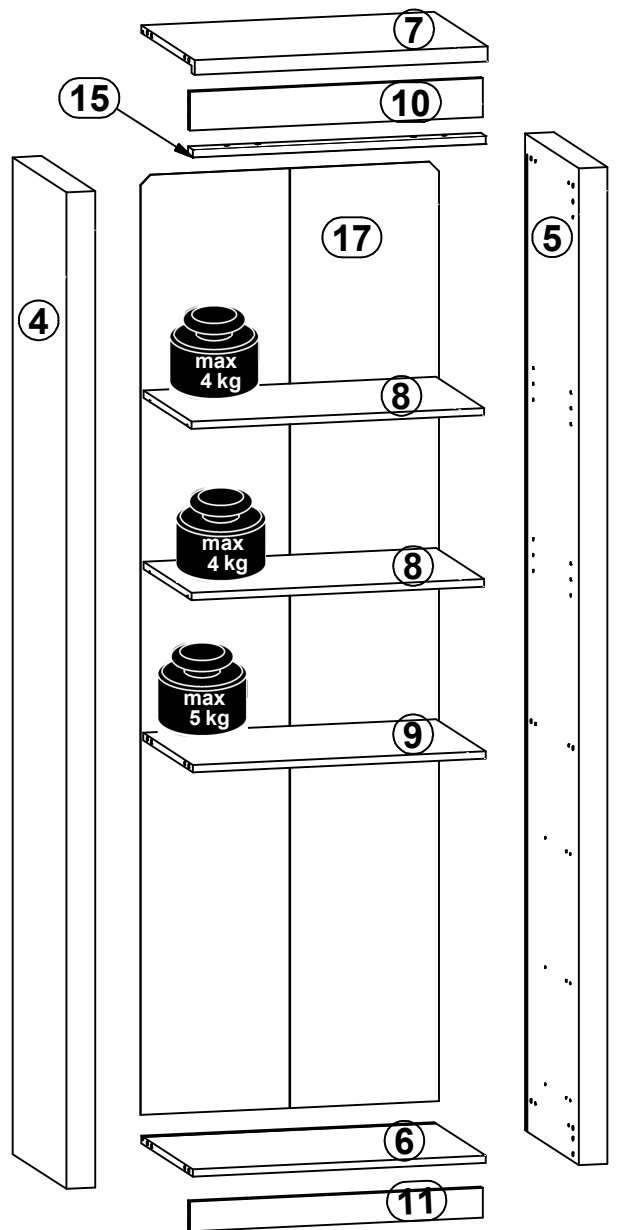
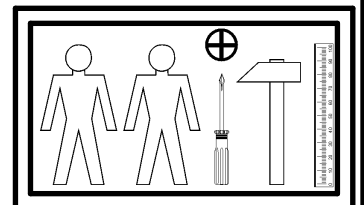
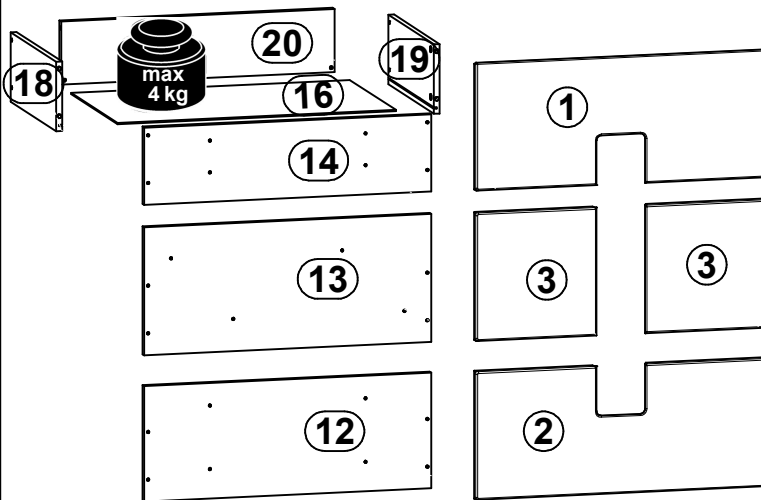


A	B	C	D	
1	S420-0002	596	258	3/3
2	S420-0003	596	258	3/3
3	S420-0004	248	258	3/3
4	S420-1023	2009	412	1/3
5	S420-1024	2009	412	1/3
6	S420-3024	602	395	2/3
7	S420-3025	602	411	2/3
8	S420-3026	601	368	2/3
9	S420-3027	602	380	2/3
10	S420-4039	602	78	2/3
11	S420-4040	602	60	2/3
12	S420-4041	590	233	3/3
13	S420-4042	590	258	3/3
14	S420-4043	590	156	3/3
15	S420-5012	602	37	2/3
16	S420-9017	572	355	1/3
17	S420-9306	1894	613	1/3
18	ZQ6-511	350	140	2/3
19	ZQ6-512	350	140	2/3
20	ZQ6-5142	562	127	2/3

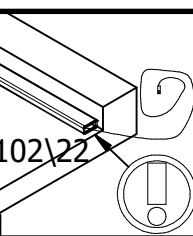
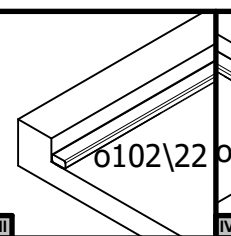
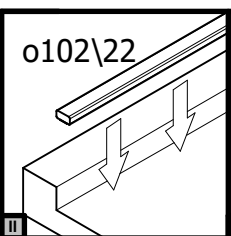
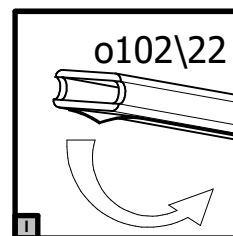
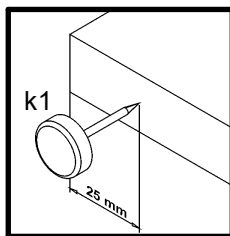
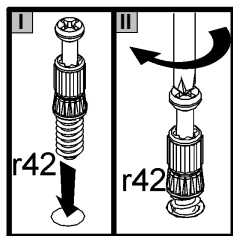
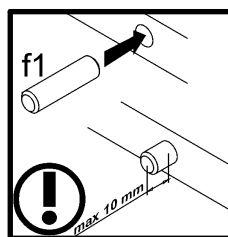
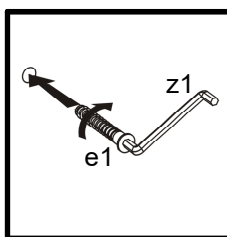
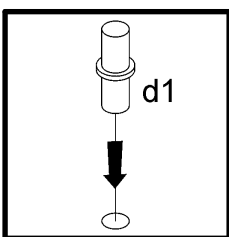
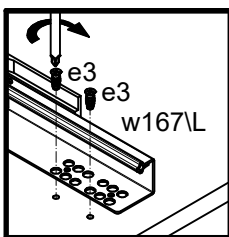
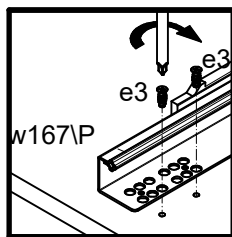
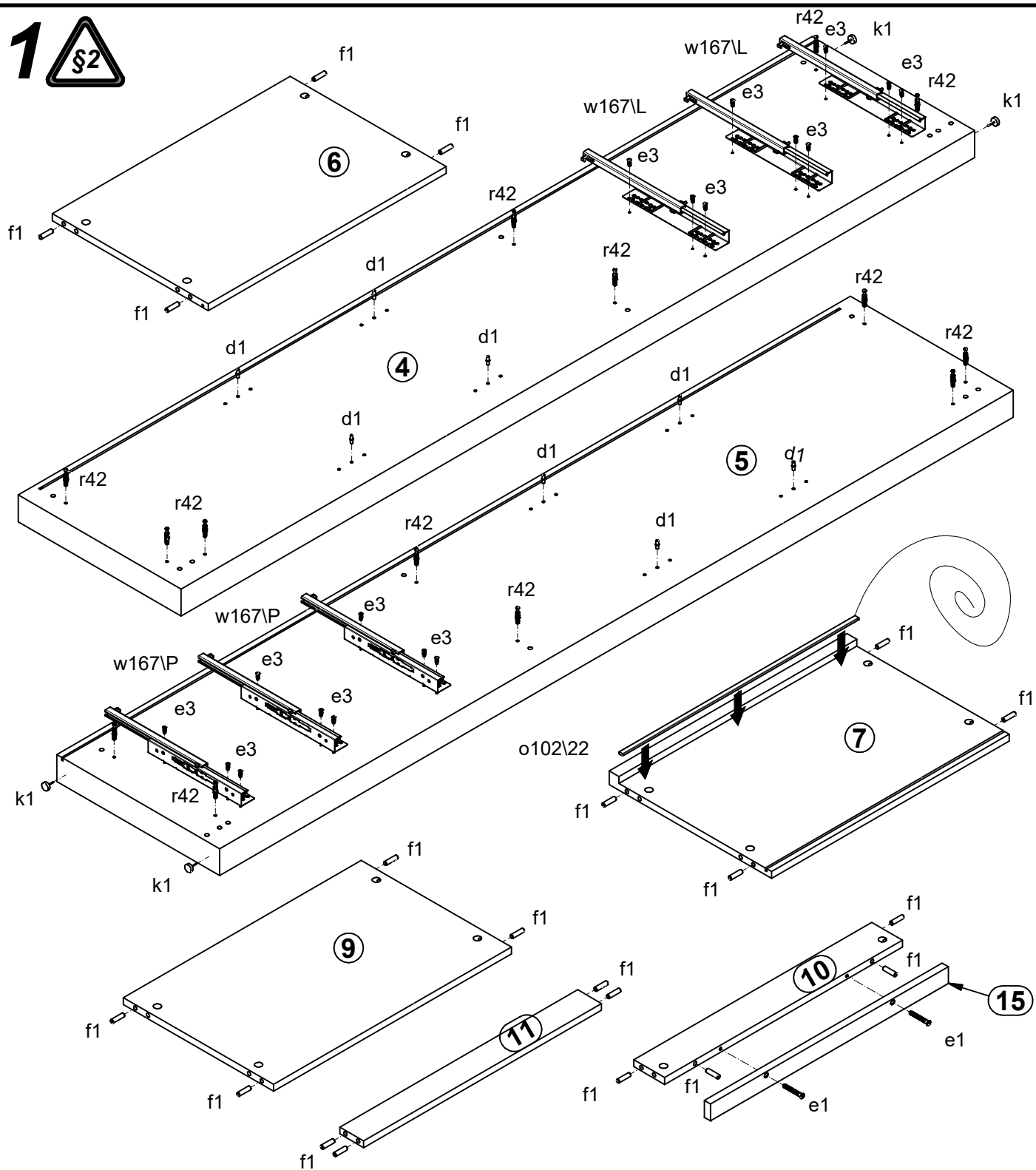


x3

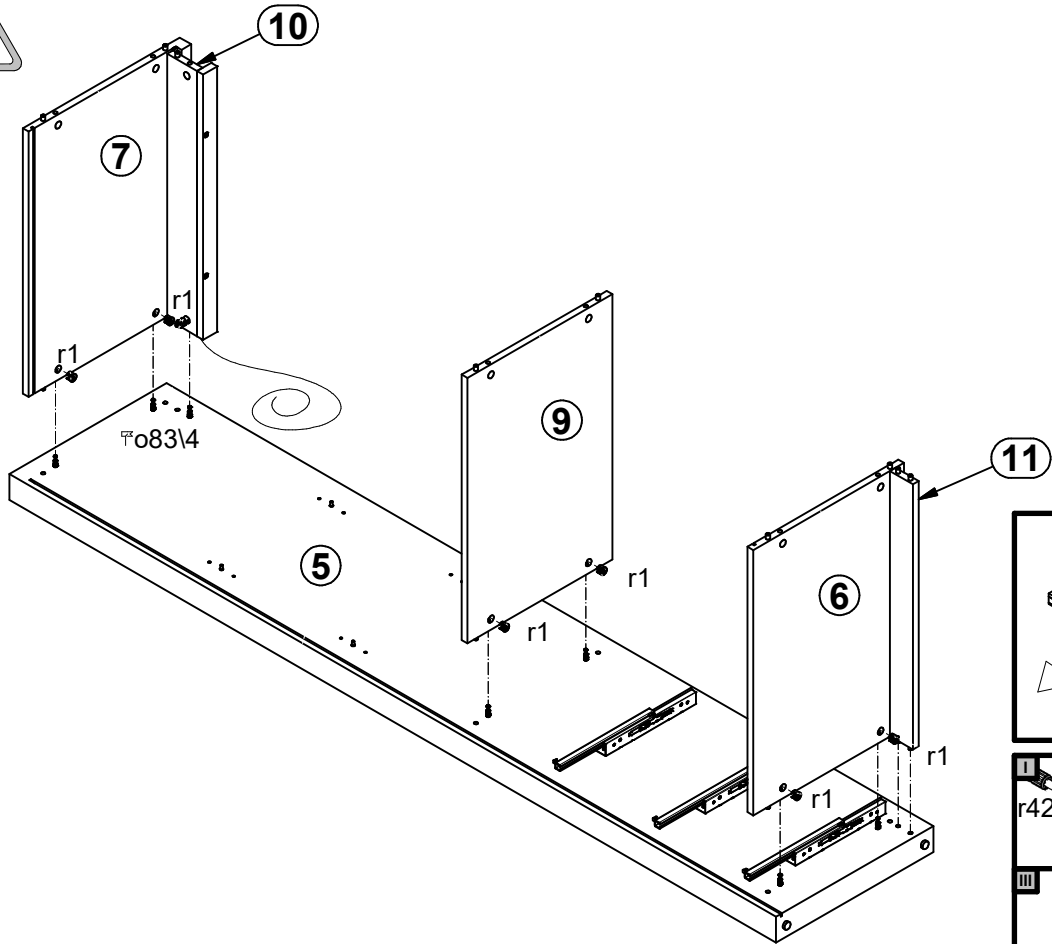


8x Ø5x17 mm d1	2x Ø7x50 mm e1	18x Ø6x13 mm e3	20x Ø8x30 mm f1	12x Ø6.5x40 mm f25	4x k1	12x l2	3x Ø3.5x16 mm p25	3x Ø3.5x10 mm p35
14x Ø3.5x16 mm p38	6x Ø2.9x16 mm p55	12x Ø4x25 mm p8	14x Ø15x12 mm #16 r1	12x Ø12x10.5 mm #12 r15	26x 20/11 r42	3x 350 mm t35	3x 350mm w167/L	3x 350mm w167/P
2x s1	4x Ø16 s2	1x 4 mm z1	1x Ø70/9	1x 10x18 mm Ø83/4	1x L=597 mm Ø102/22	1x 86x21x15/1.5 n14/2	1x Ø10x50 mm f35	1x Ø5x60 mm p17

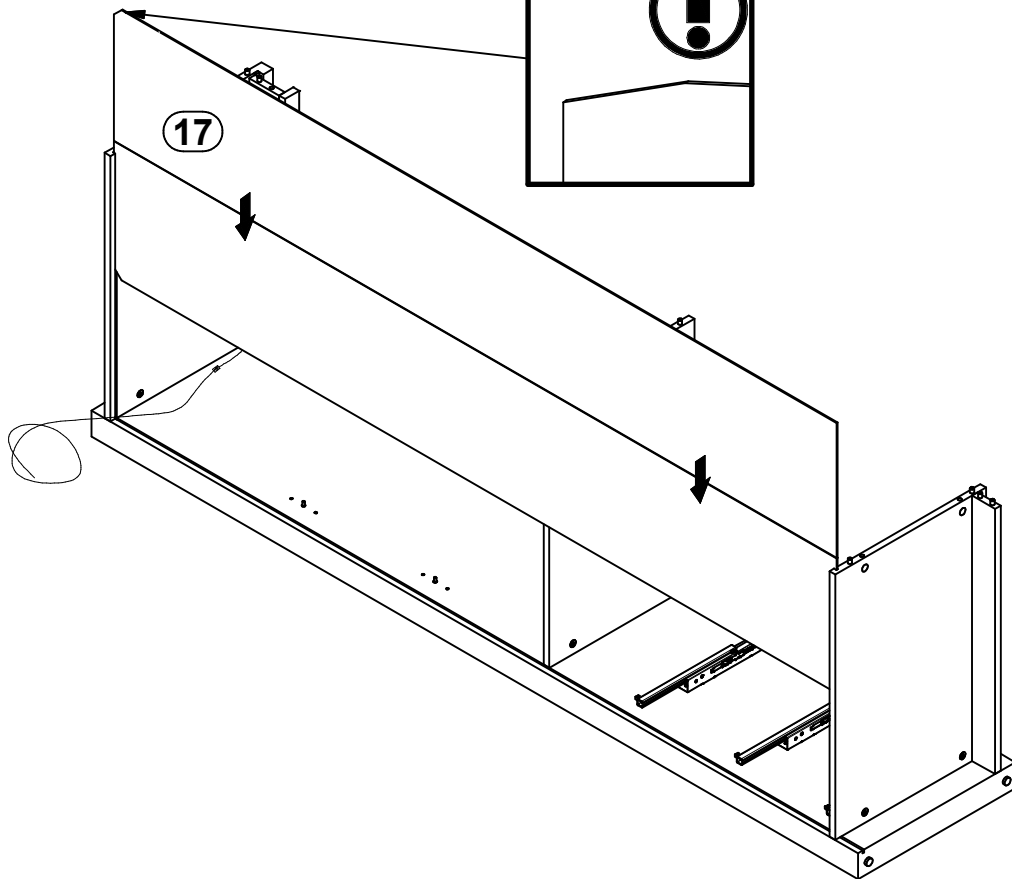
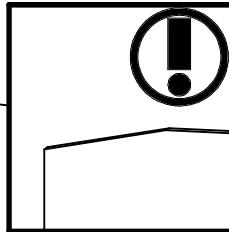
1 



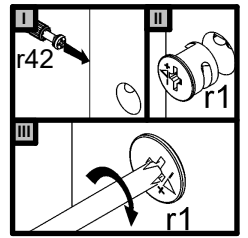
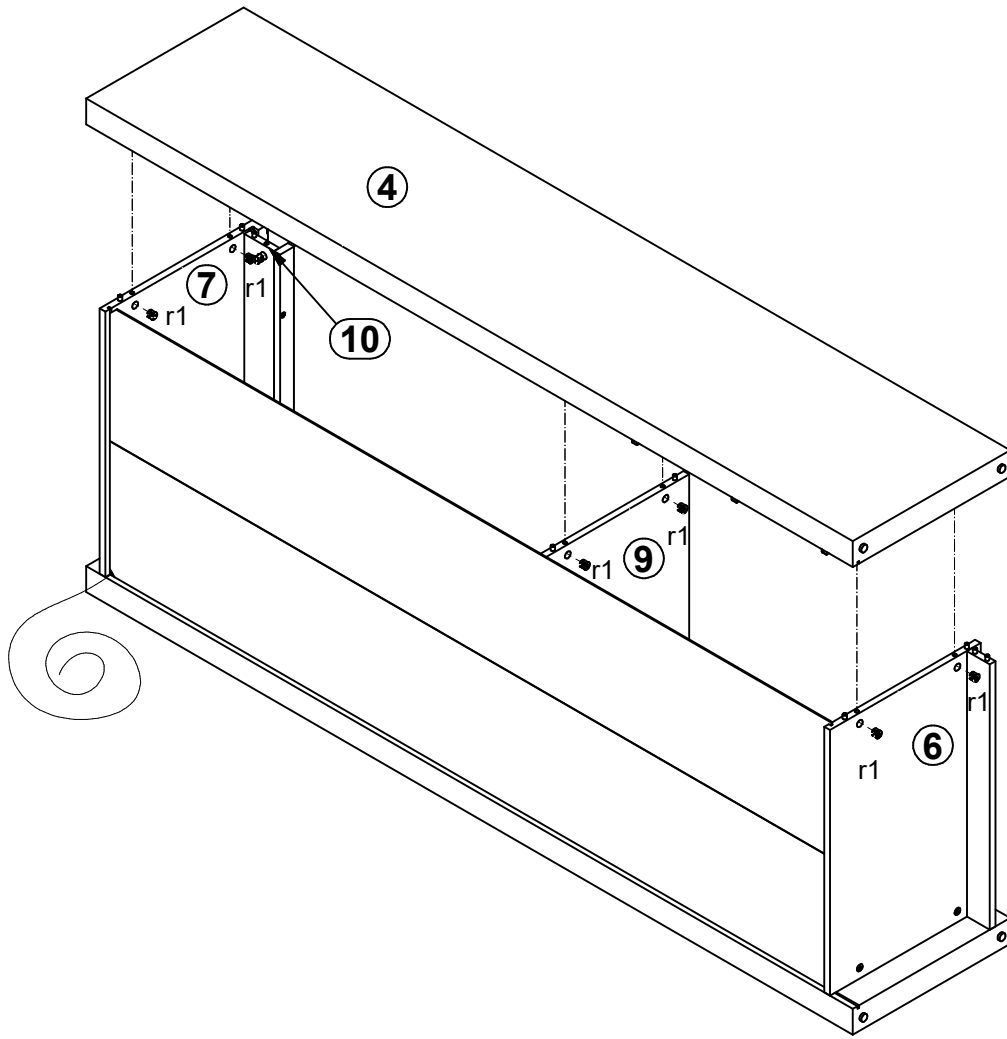
2



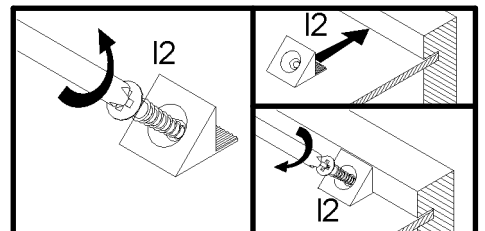
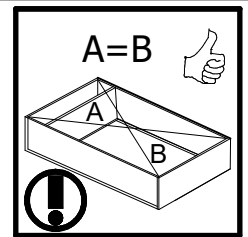
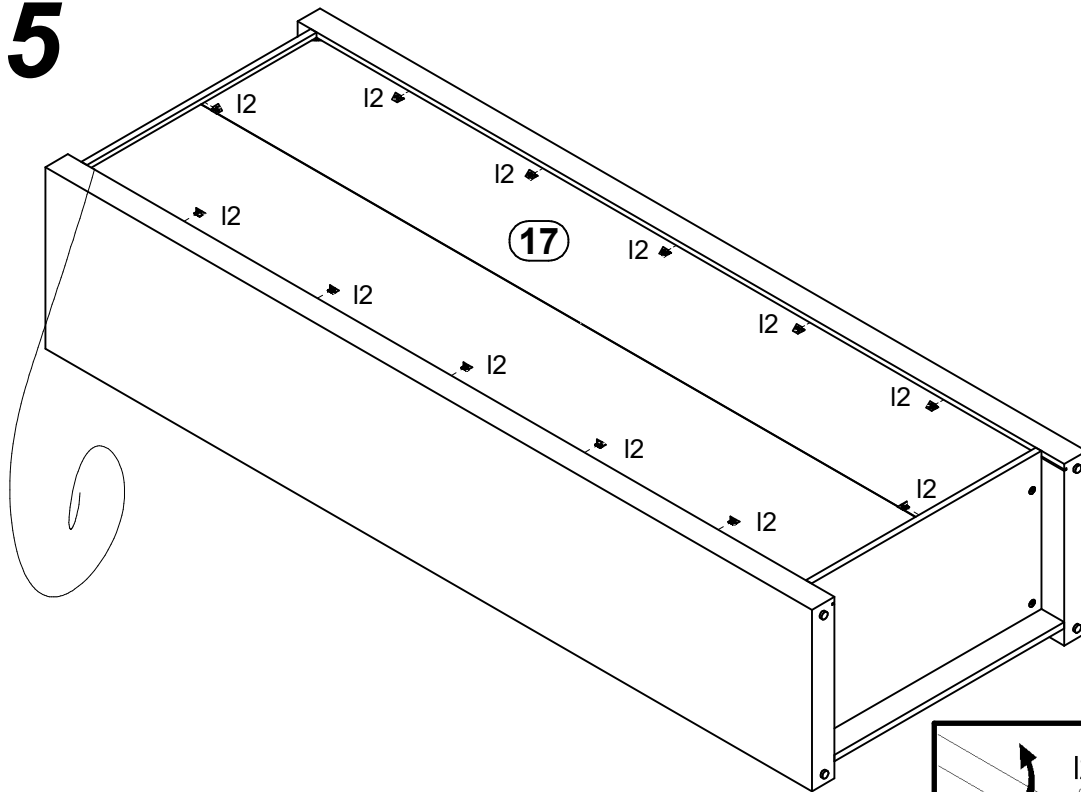
3



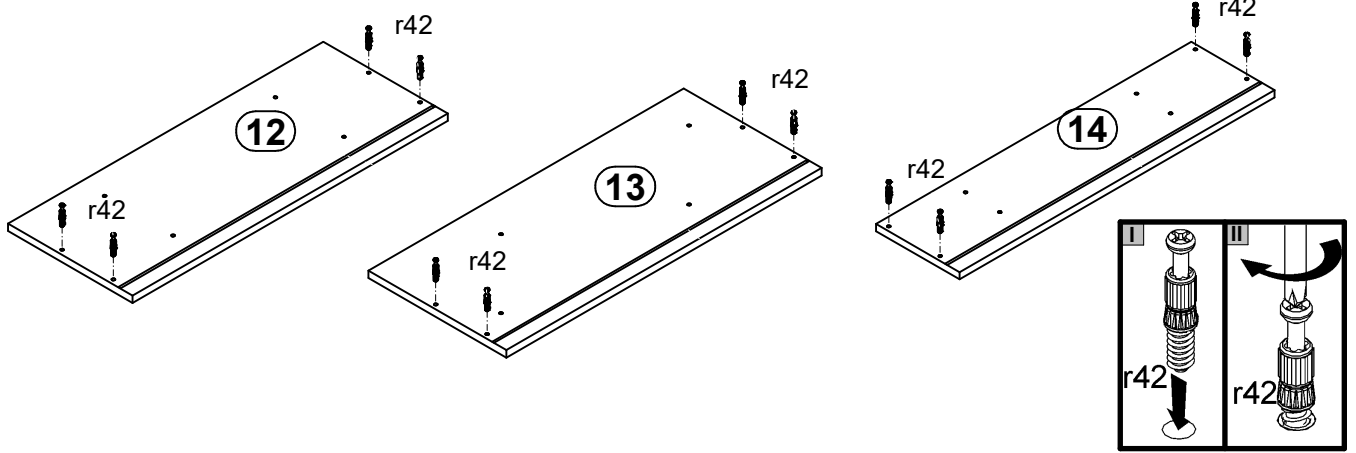
4



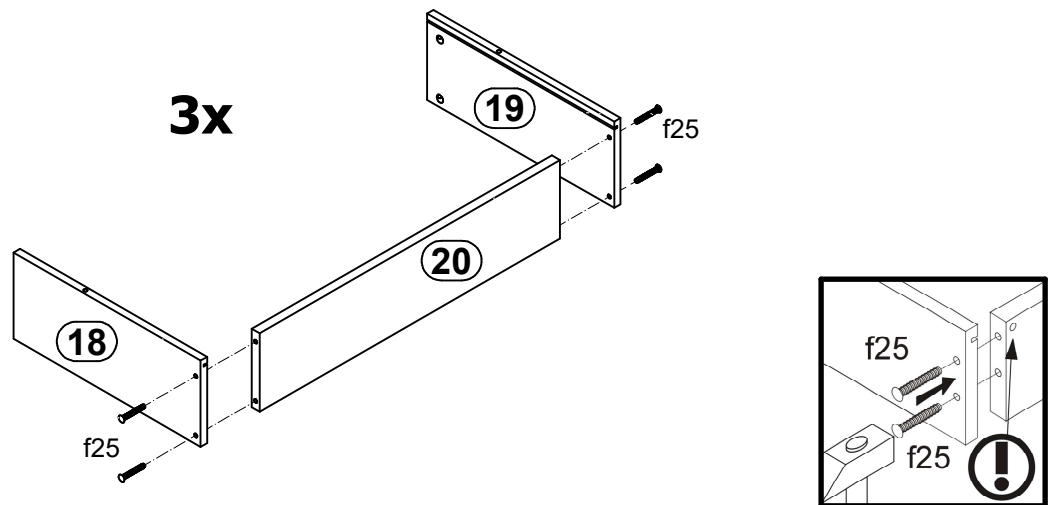
5



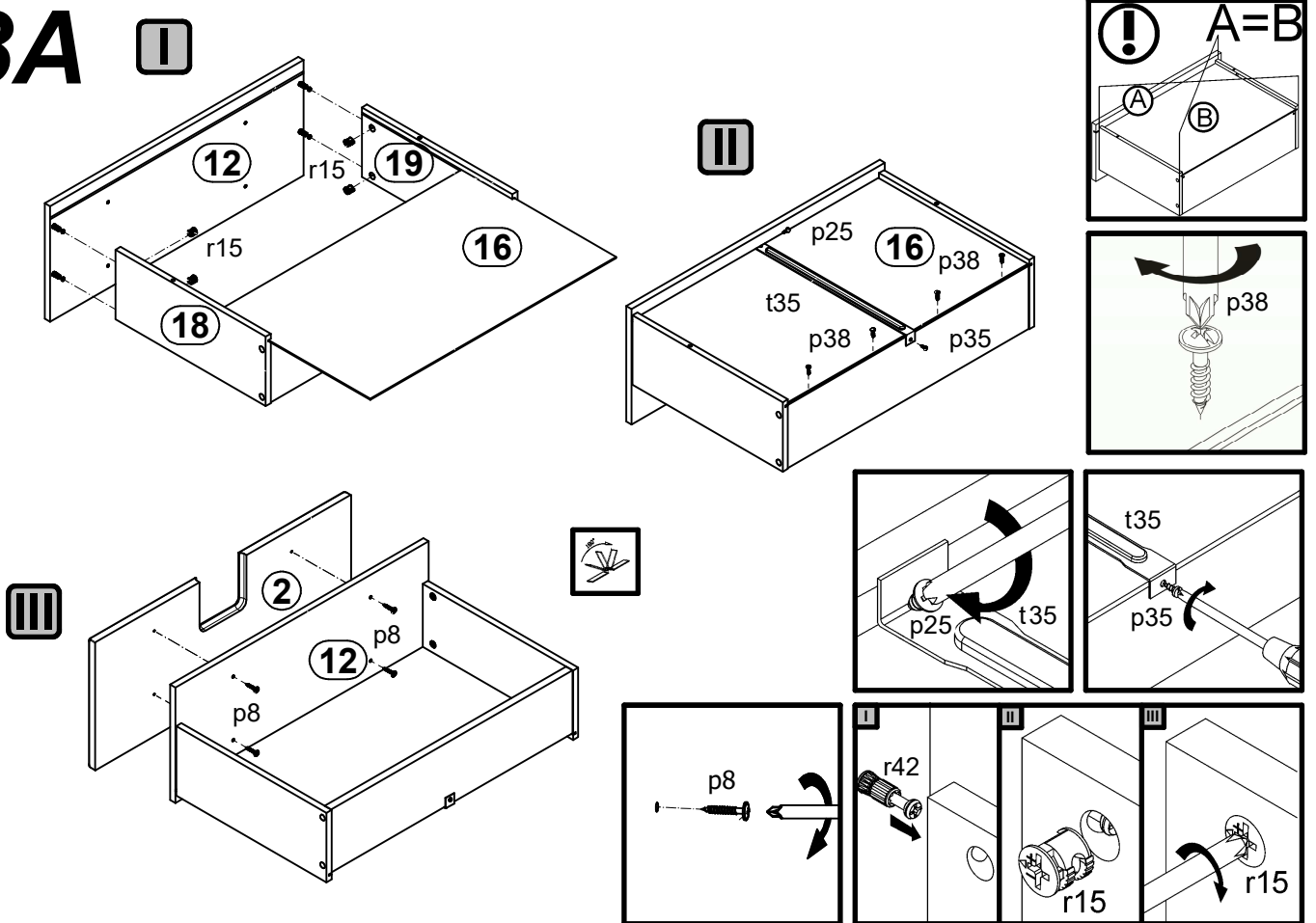
6



7

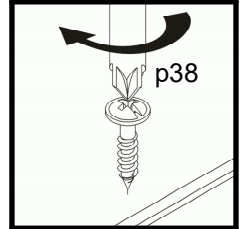
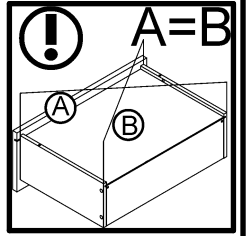
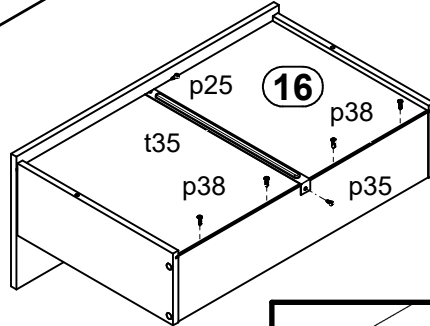
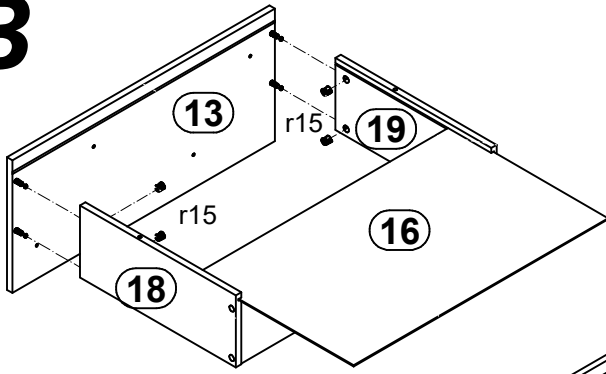


8A

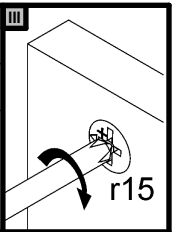
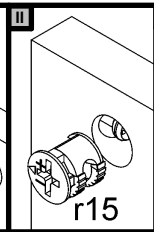
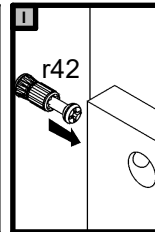
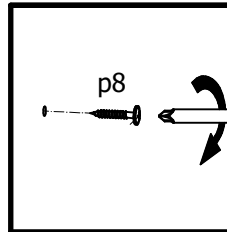
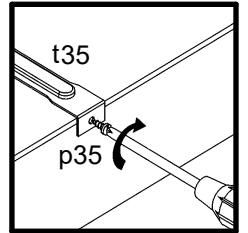
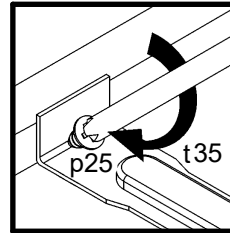
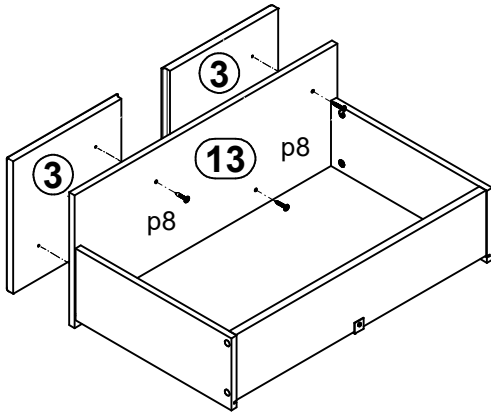


8B

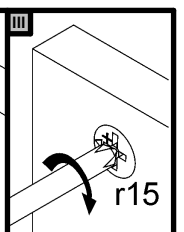
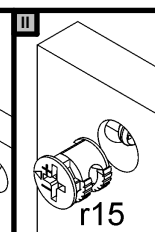
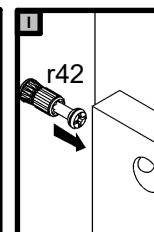
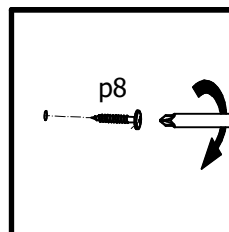
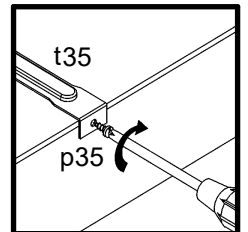
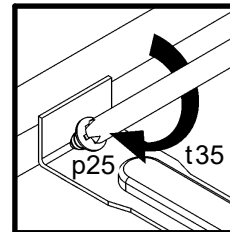
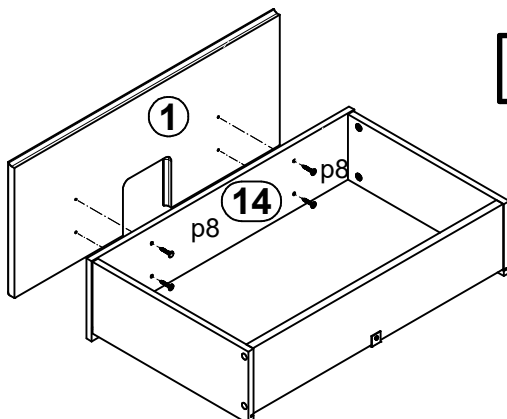
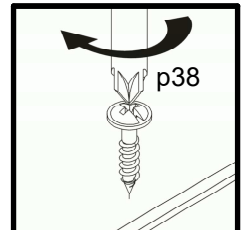
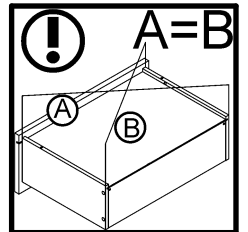
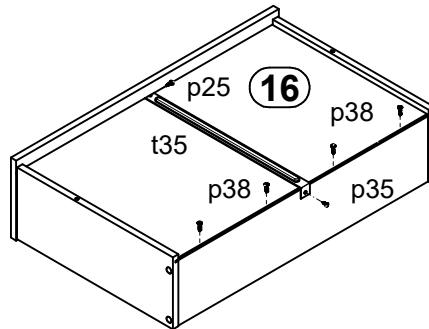
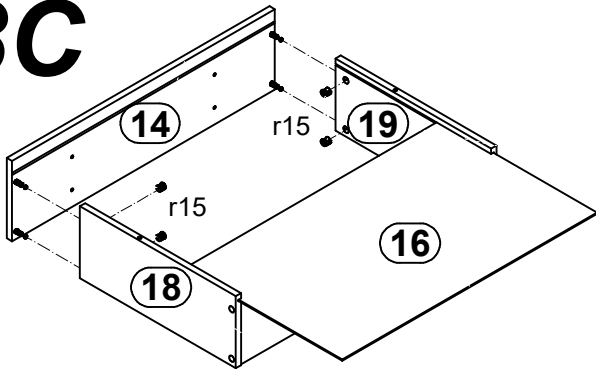
I



III



8C



9

