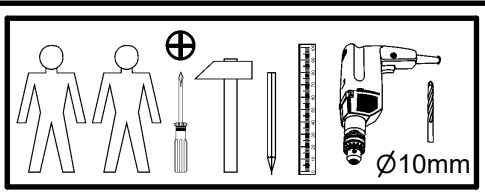
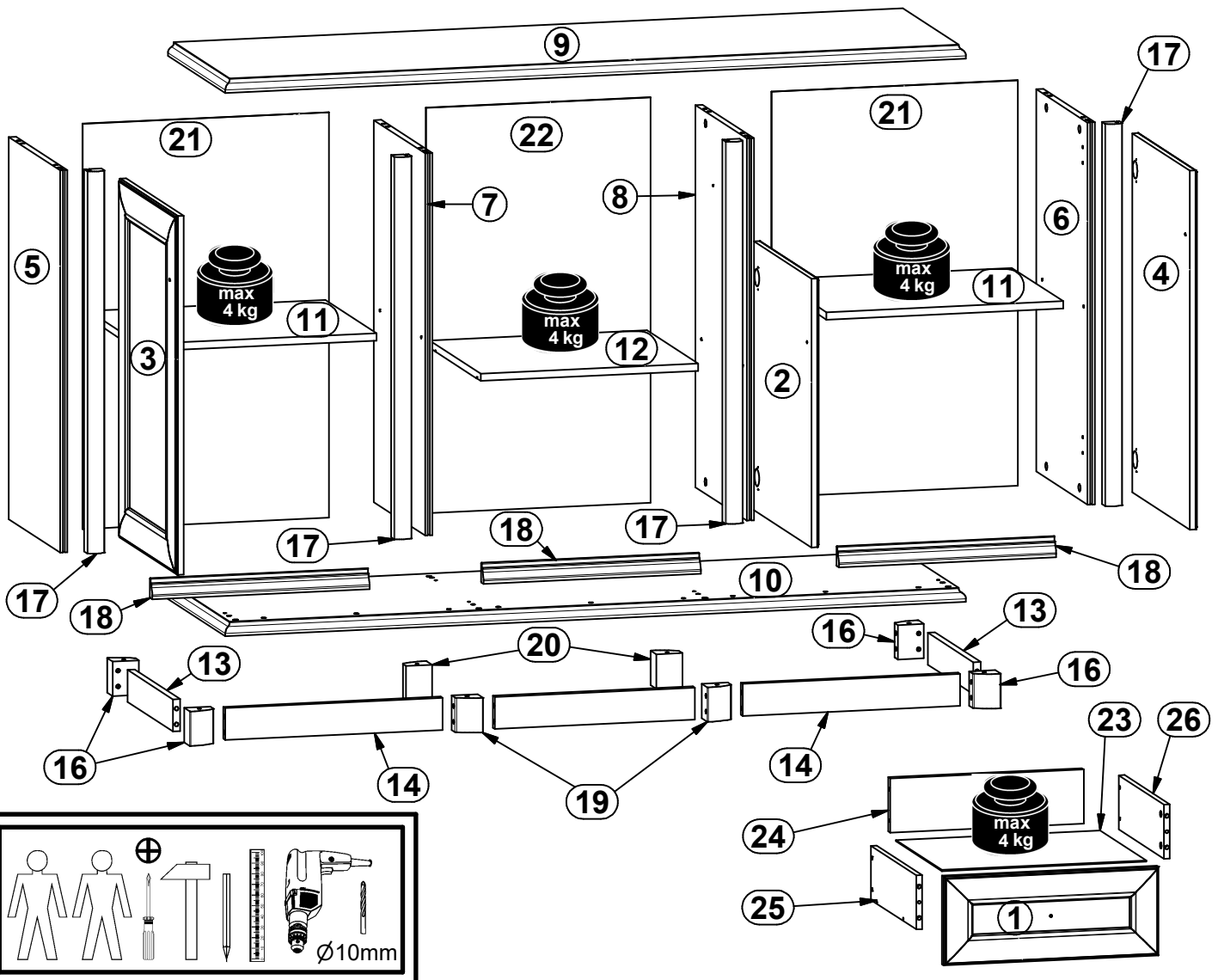
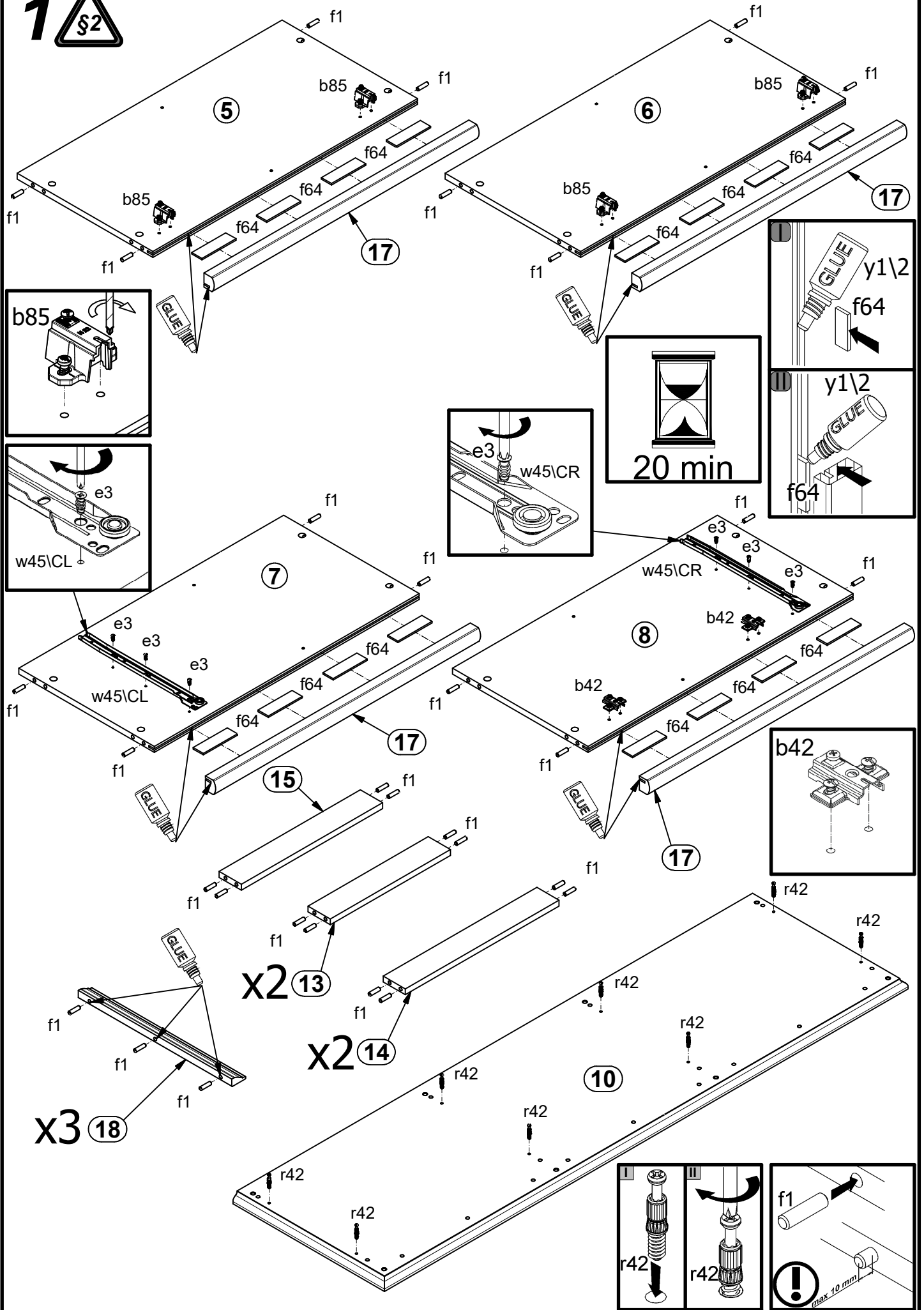


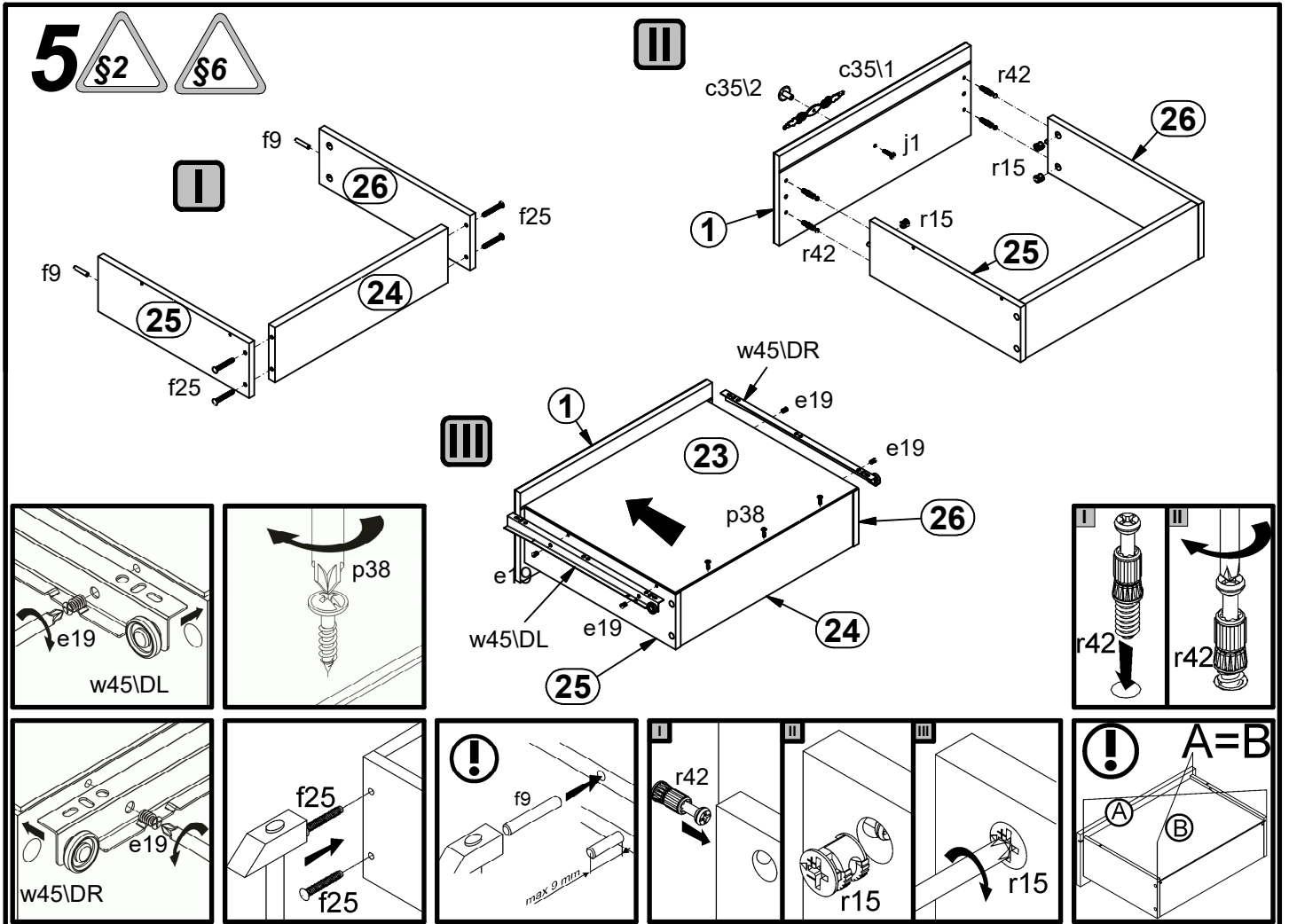
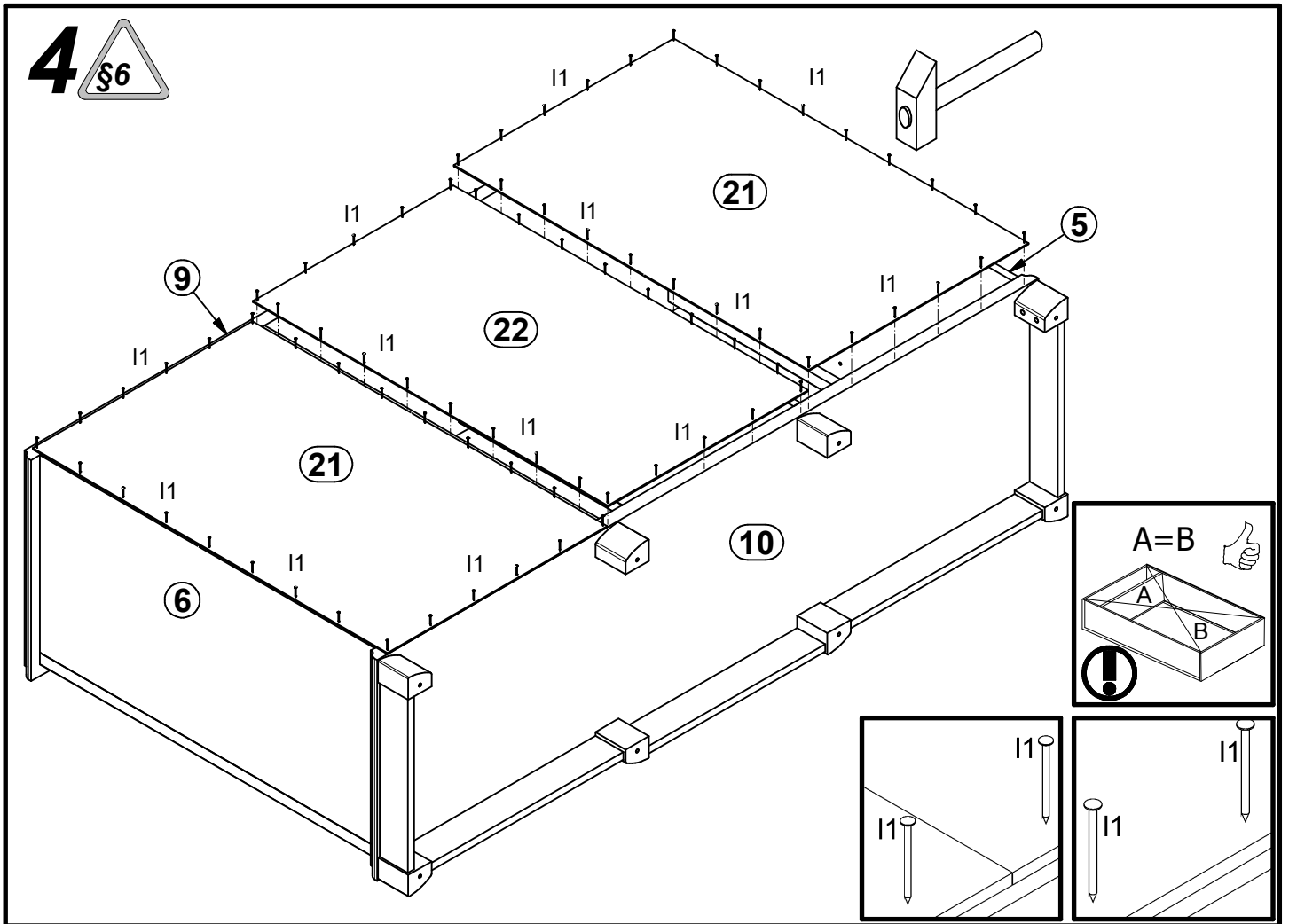
A	B	C	D	A	B	C	D		
1	S447-0009	445	180	3/3	14	S447-4007	450	65	1/3
2	S447-0011	546	445	3/3	15	S447-4008	414	65	1/3
3	S447-0012	729	445	3/3	16	S447-5003	70	54	1/3
4	S447-0013	729	445	3/3	17	S447-5006	776	36	1/3
5	S447-1013	776	397	1/3	18	S447-5016	450	40	1/3
6	S447-1014	776	397	1/3	19	S447-5020	70	54	1/3
7	S447-1015	776	397	1/3	20	S447-5021	70	54	1/3
8	S447-1016	776	397	1/3	21	S447-9007	823	510	1/3
9	S447-2011	1534	444	2/3	22	S447-9008	823	465	1/3
10	S447-2012	1534	444	2/3	23	S447-9009	423	357	1/3
11	S447-3003	490	396	1/3	24	ZS7-5014	401	110	1/3
12	S447-3004	450	396	1/3	25	ZS7-521	350	110	1/3
13	S447-4002	352	65	1/3	26	ZS7-522	350	110	1/3



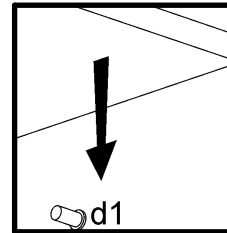
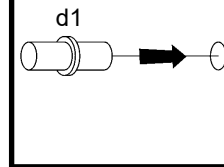
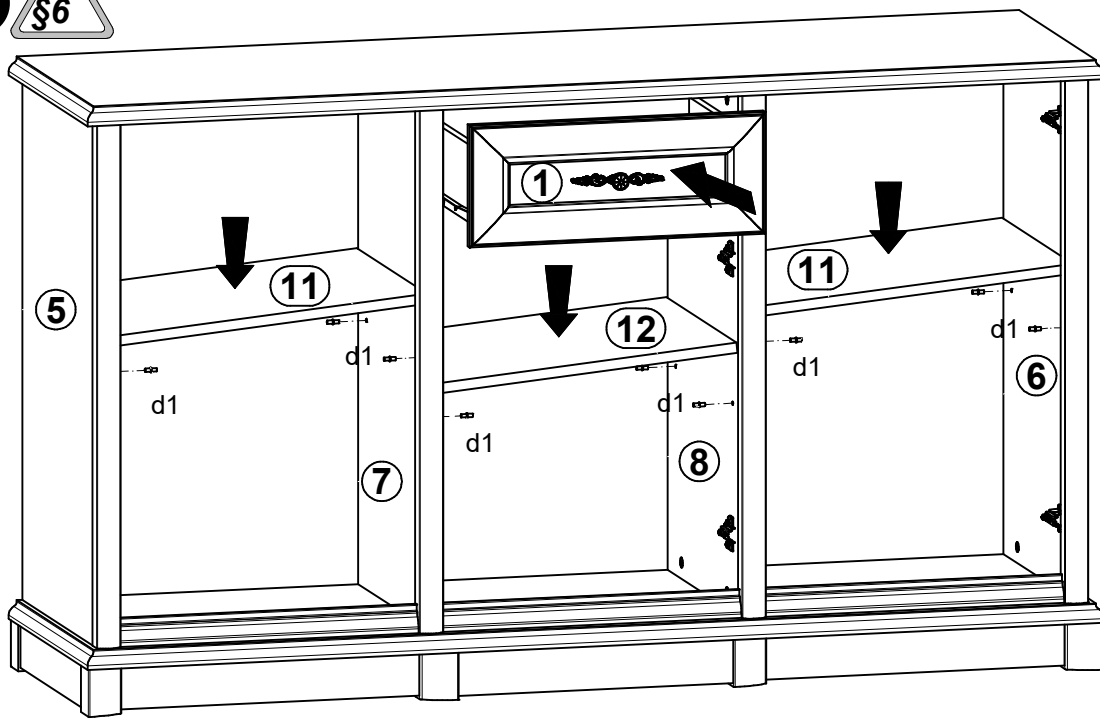
6x K18 Ø35 a172	2x b42	4x b85	4x c35\1	4x c35\2	12x Ø5x17 mm d1	6x Ø6x13 mm e3	8x Ø7x60 mm e8	4x Ø5x9 mm e19
45x Ø8x30 mm f1	2x Ø6x30 mm f9	4x Ø6.5x40 mm f25	16x 100x30\3.8 mm f64	1x M4x20 mm j1	3x M4x30 mm j6	70x 1.4x20 mm l1	3x Ø3.5x16 mm p38	12x Ø3.5x15 mm p51
16x Ø15x12 mm #16 r1	4x Ø12x10.5 mm #12 r15	20x 20\11 r42	1x 350 mm w45\CL	1x 350 mm w45\CR	1x 350 mm w45\DL	1x 350 mm w45\DR	1x 30g y1\2	12x Ø16 s2
1x 4 mm z1							1x Ø3.5x16 mm p38	1x n26

1 





6



7

