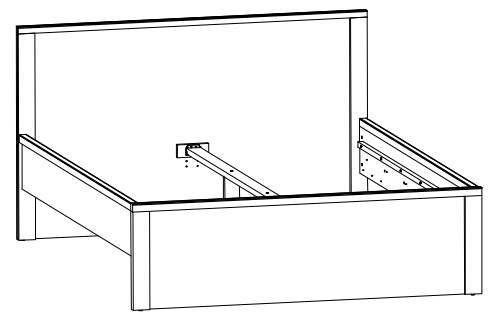
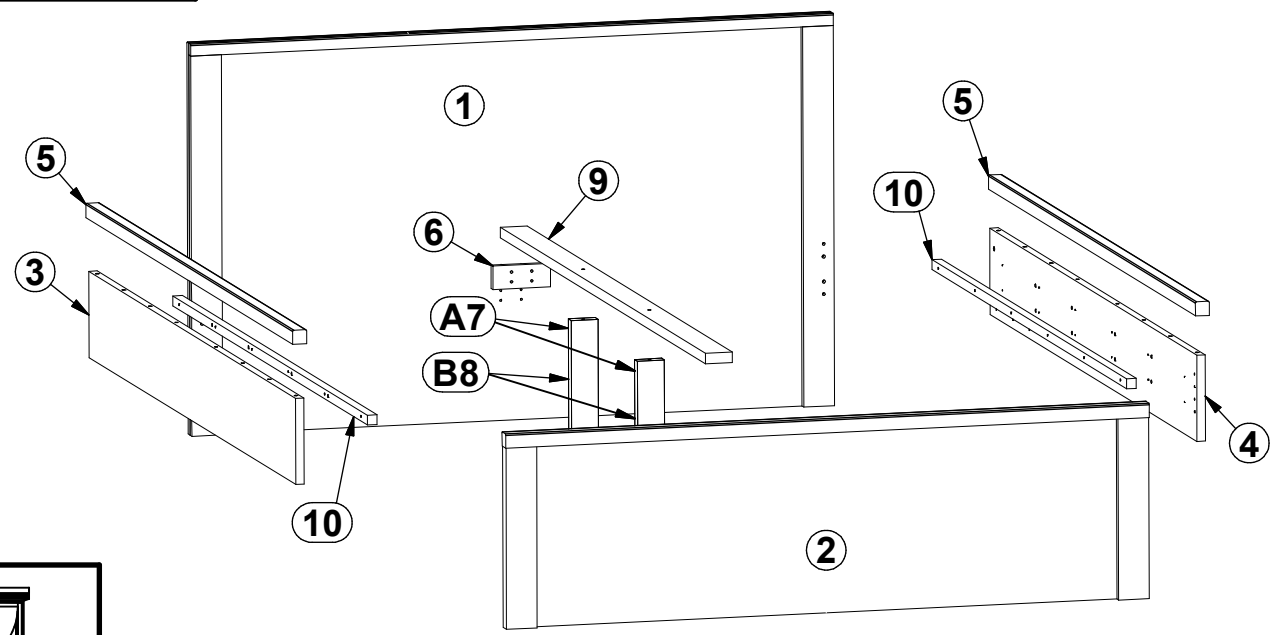
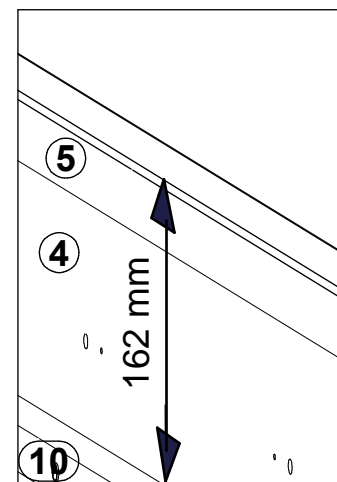
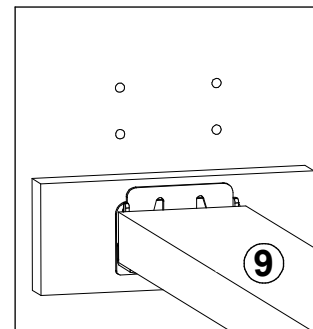
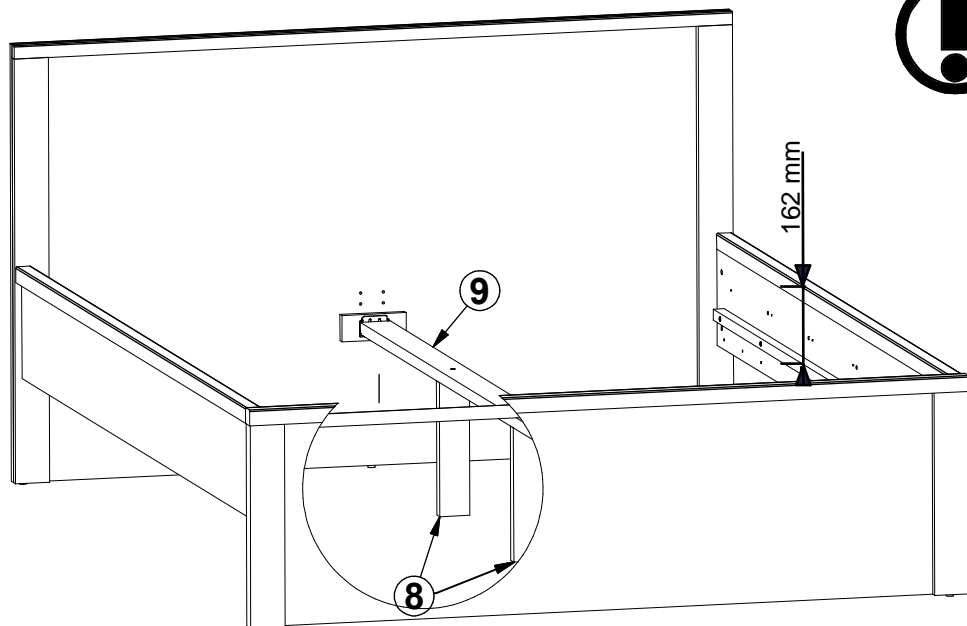
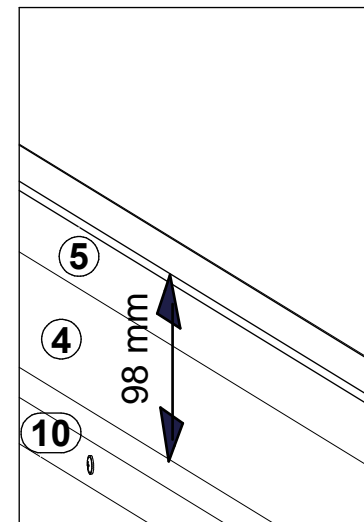
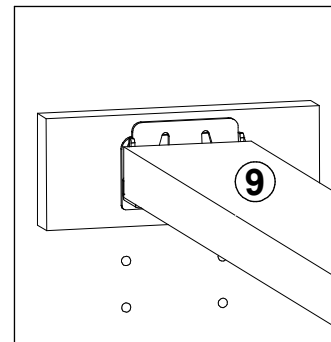
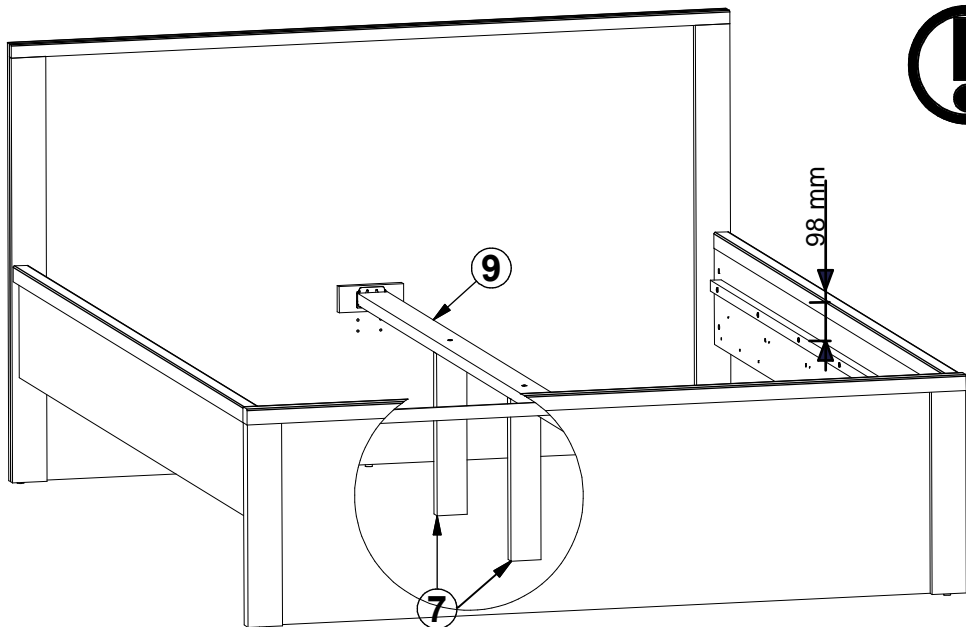
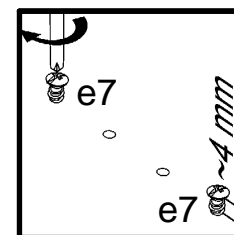
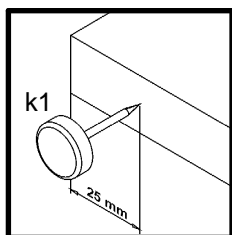
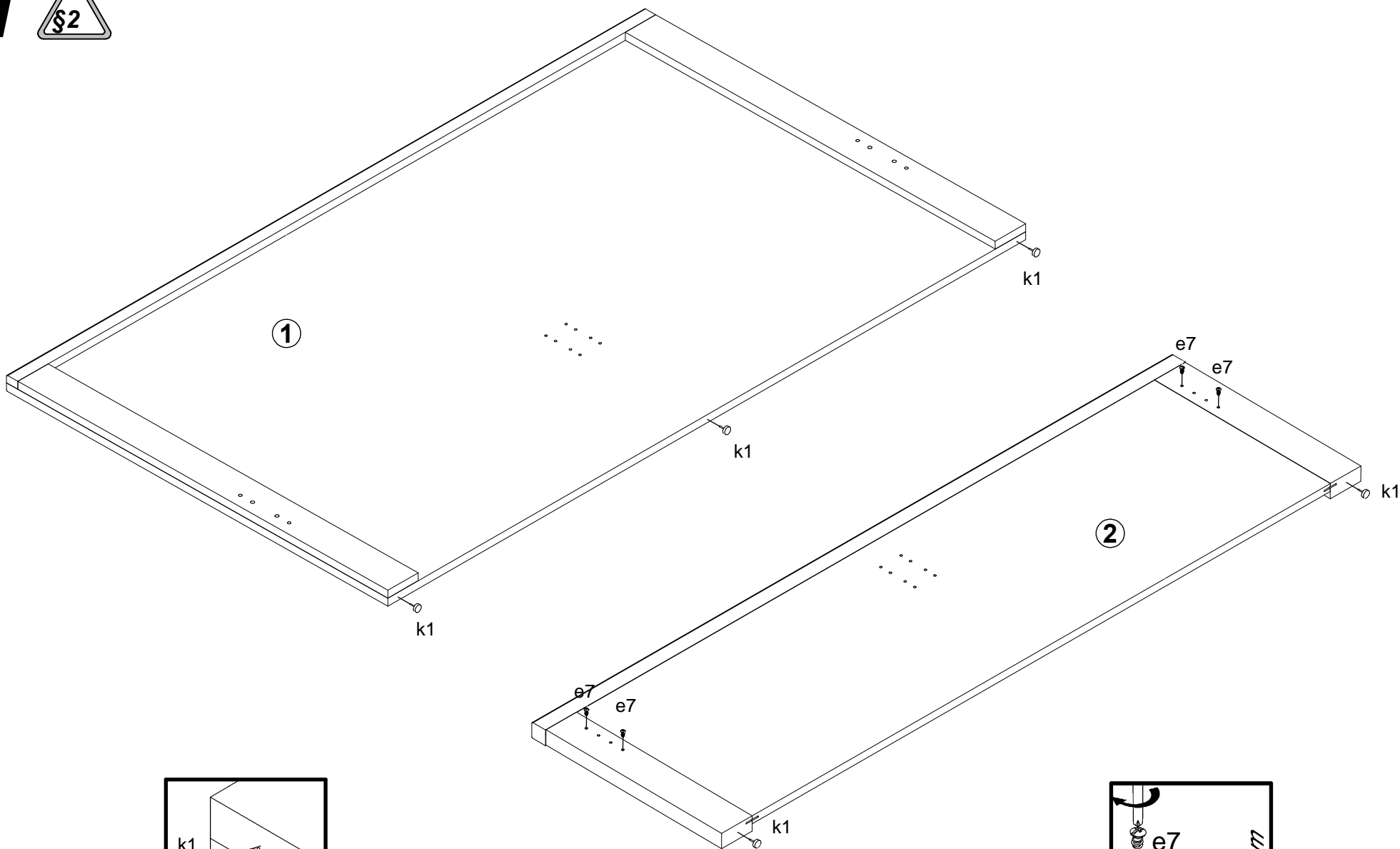


A	B	C1	C2	C3	D
1	S508-0051	1676,	1000	36	2/3
2	S508-0052	498	1678	36	1/3
3	S508-1027	2000	220	22	3/3
4	S508-1028	2000	220	22	3/3
5	S508-5052	2000	36	36	3/3
6	S508-7752	150	60	18	1/3
7	ZZ1-425	370	70	27	3/3
8	ZZ1-426	306	70	27	3/3
9	ZZ1-719	1983	70	27	3/3
10	ZZ1-747	1880	25	25	3/3

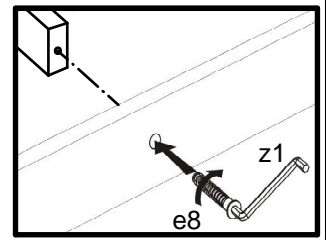
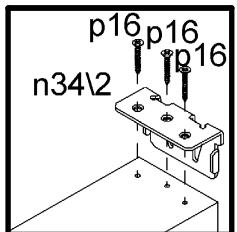
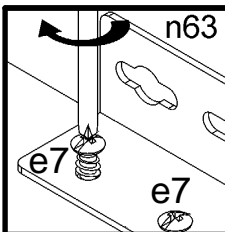
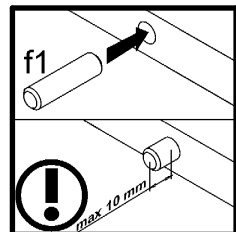
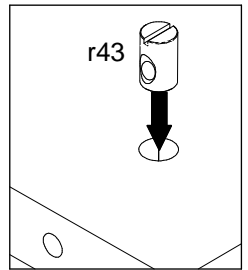
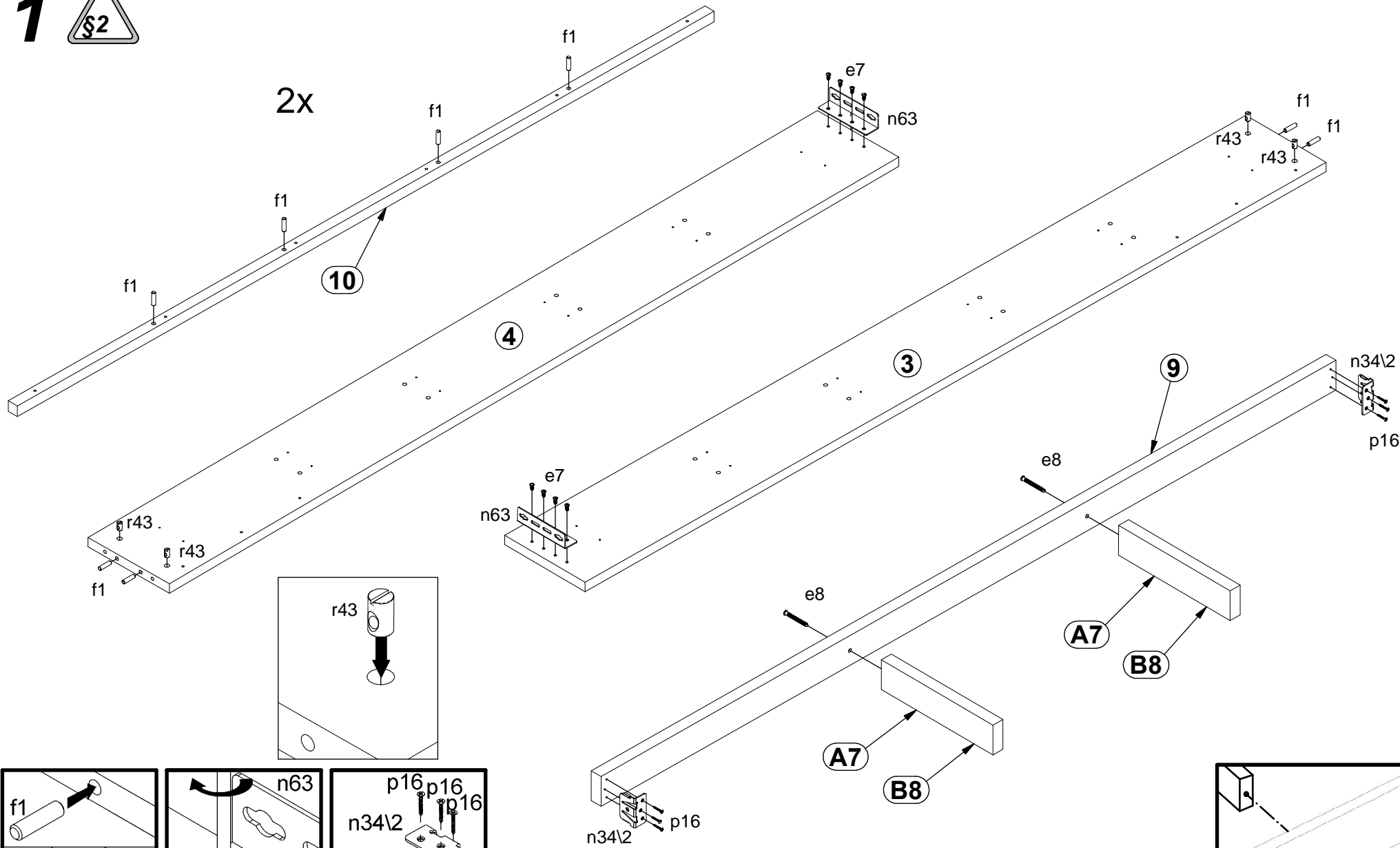


8x Ø6x13 mm e3	16x Ø6.3x16 mm e7	4x Ø6.3x30 mm e16	2x Ø7x60 mm e8	12x Ø8x30 mm f1	16x Ø8x50 mm f6	4x M6x84 mm j117	5x k1	2x n34/1	2x n34/2	2x 130x34x34/2 mm n63	6x Ø4x35 mm p6	12x Ø4x40 mm p10
6x Ø3.5x25 mm p16	4x Ø10x16 mm r43	1x GLUE y1	1x z1									

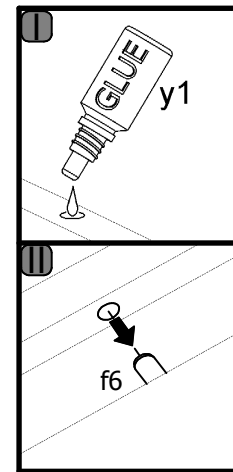
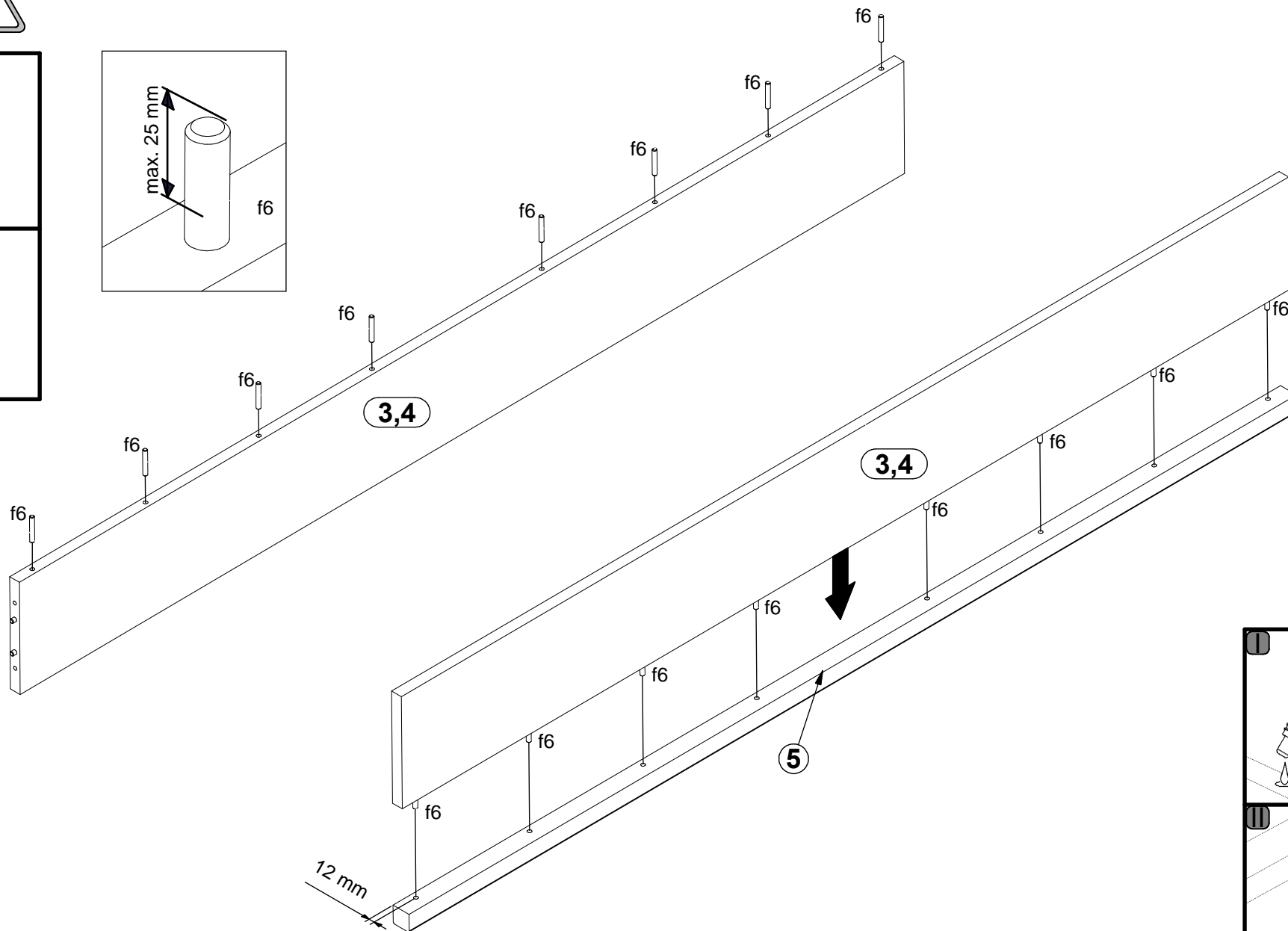
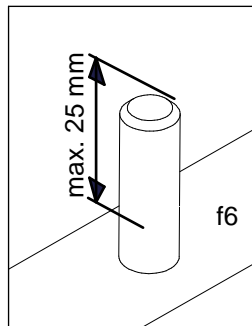
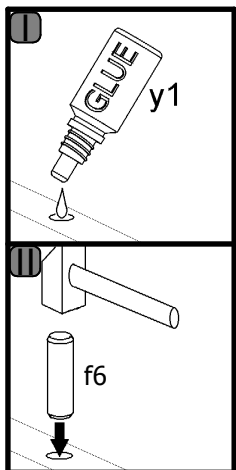




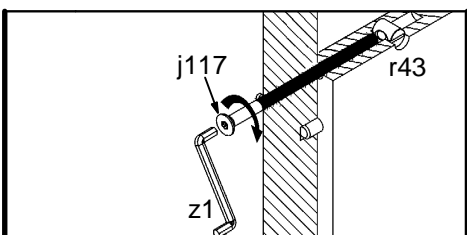
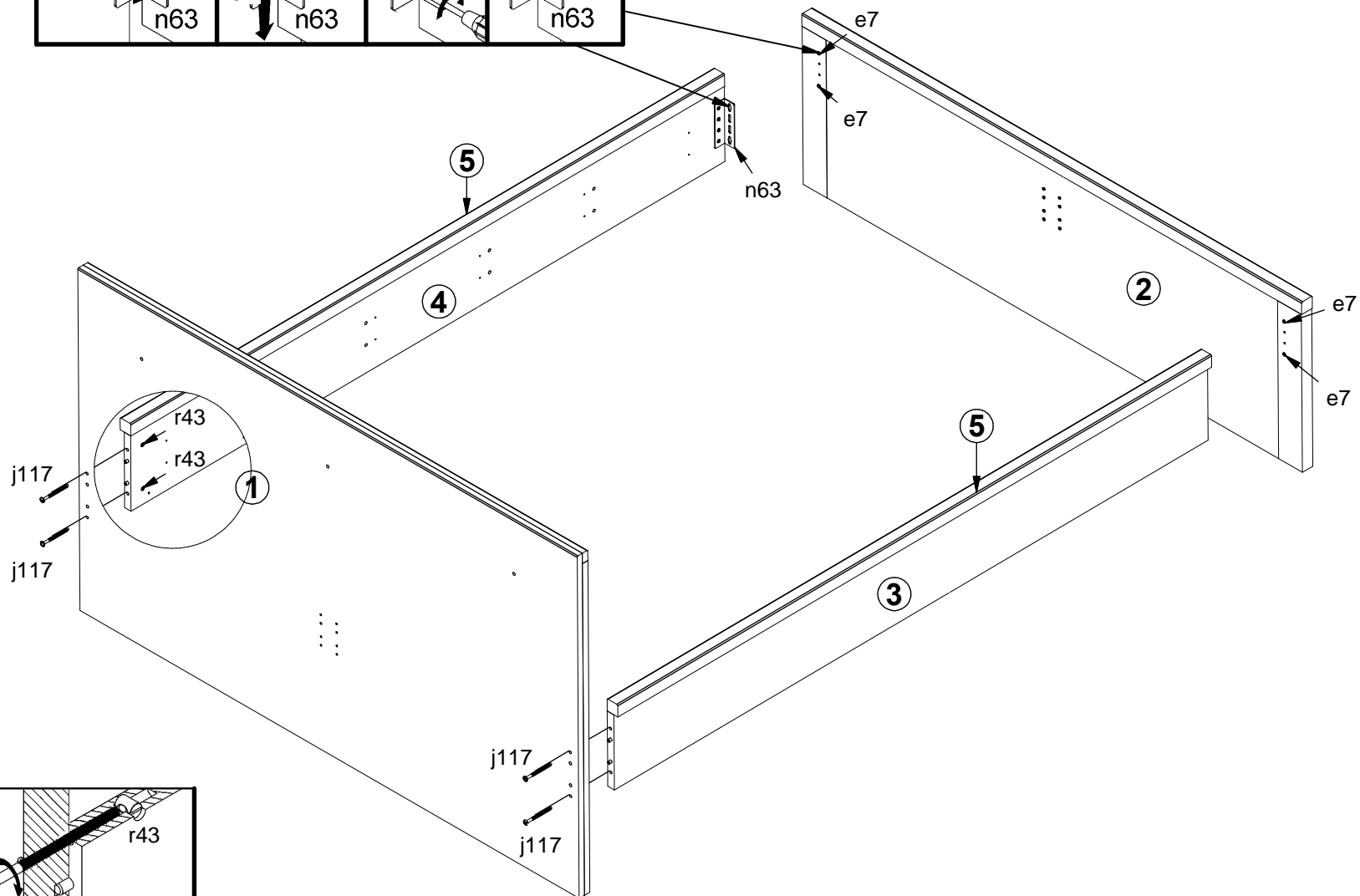
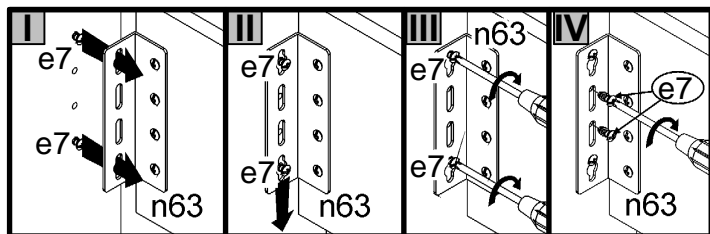
1 

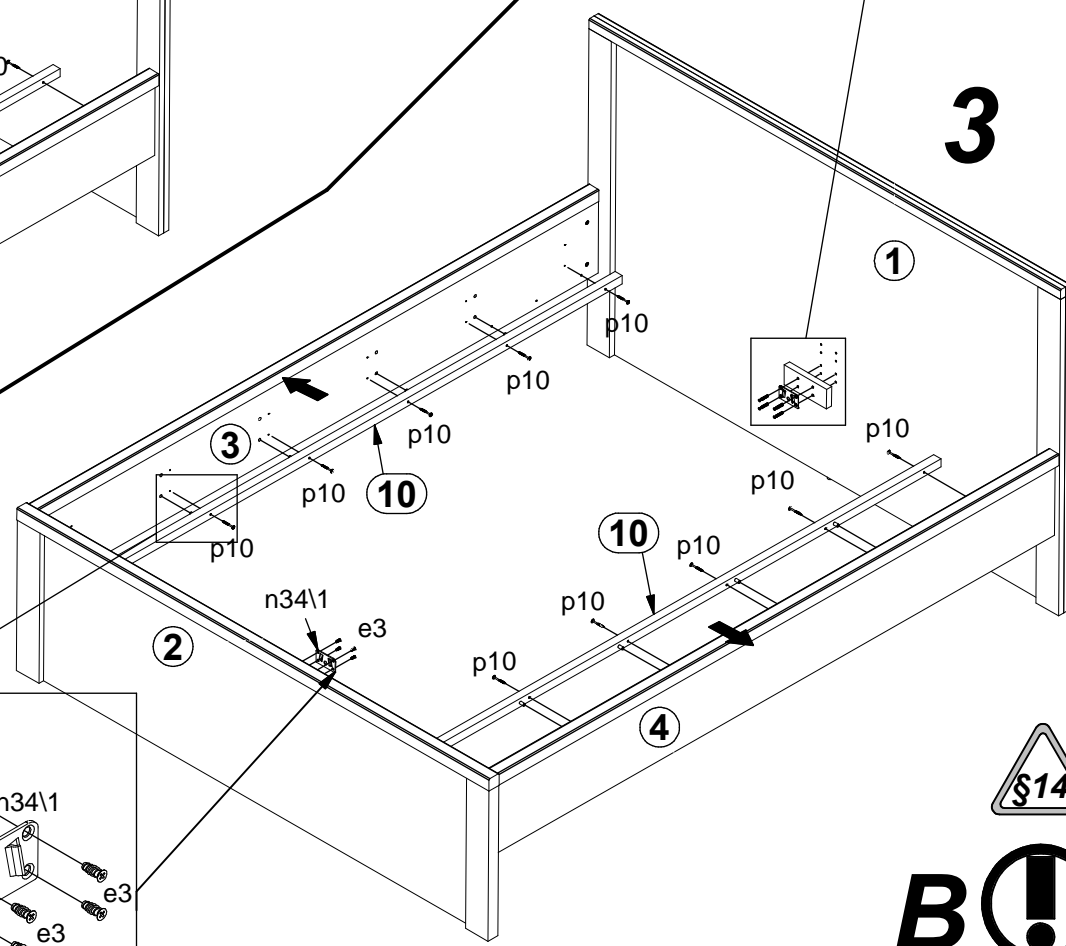
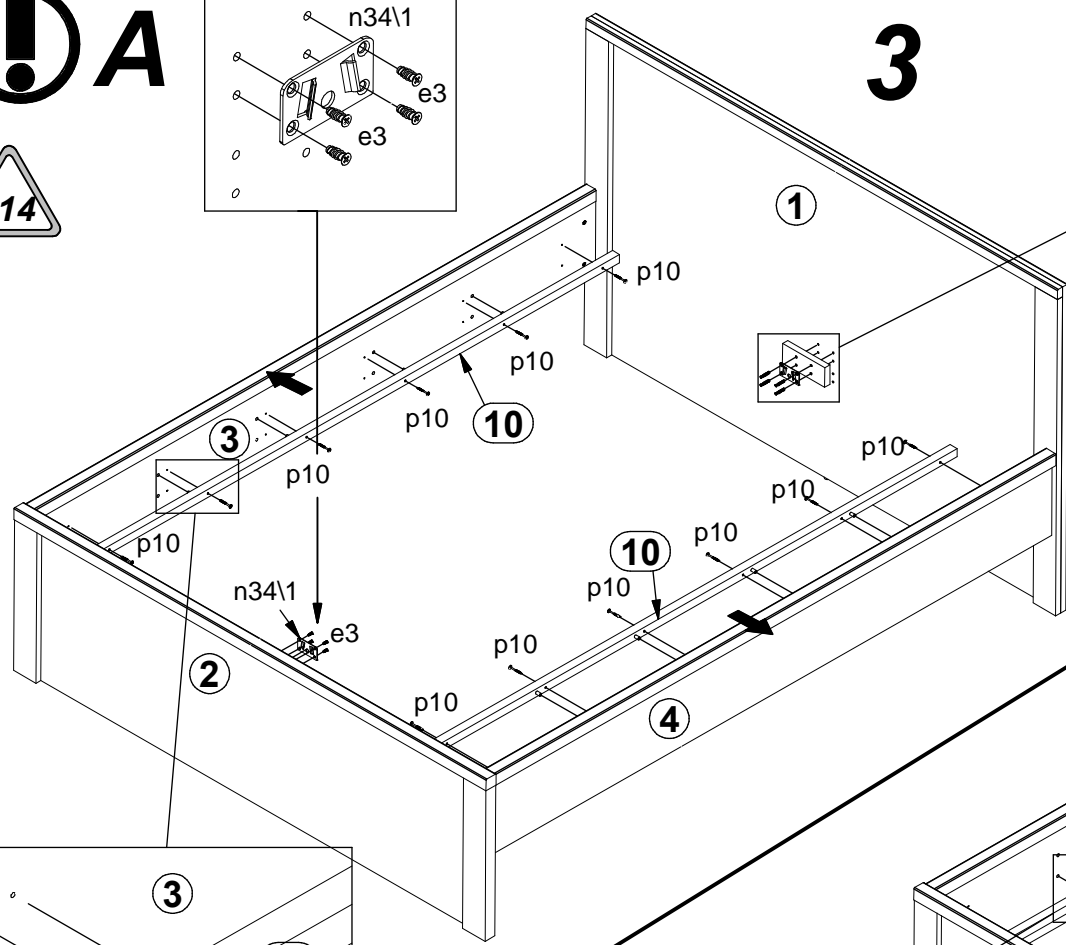
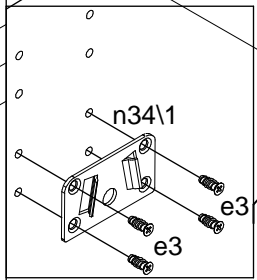
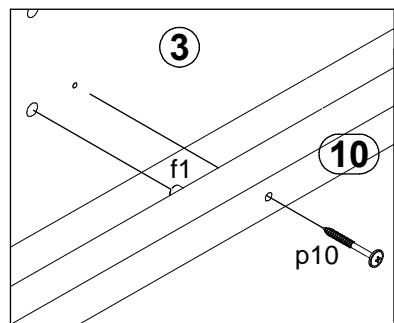
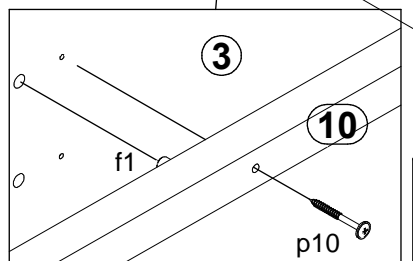
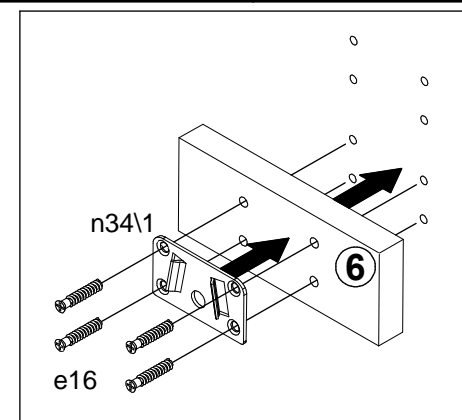
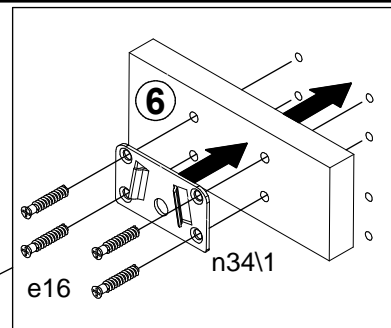
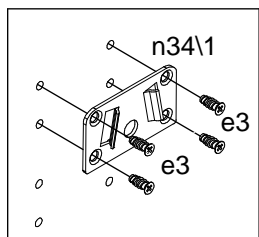


1 



2 

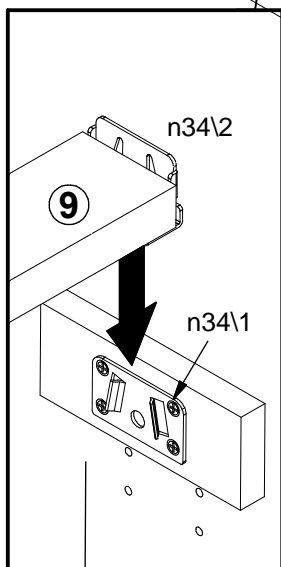
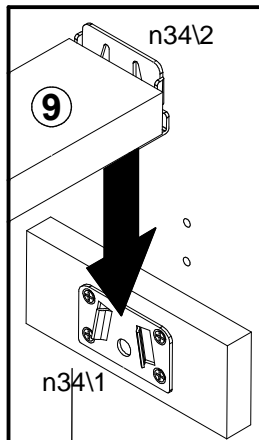
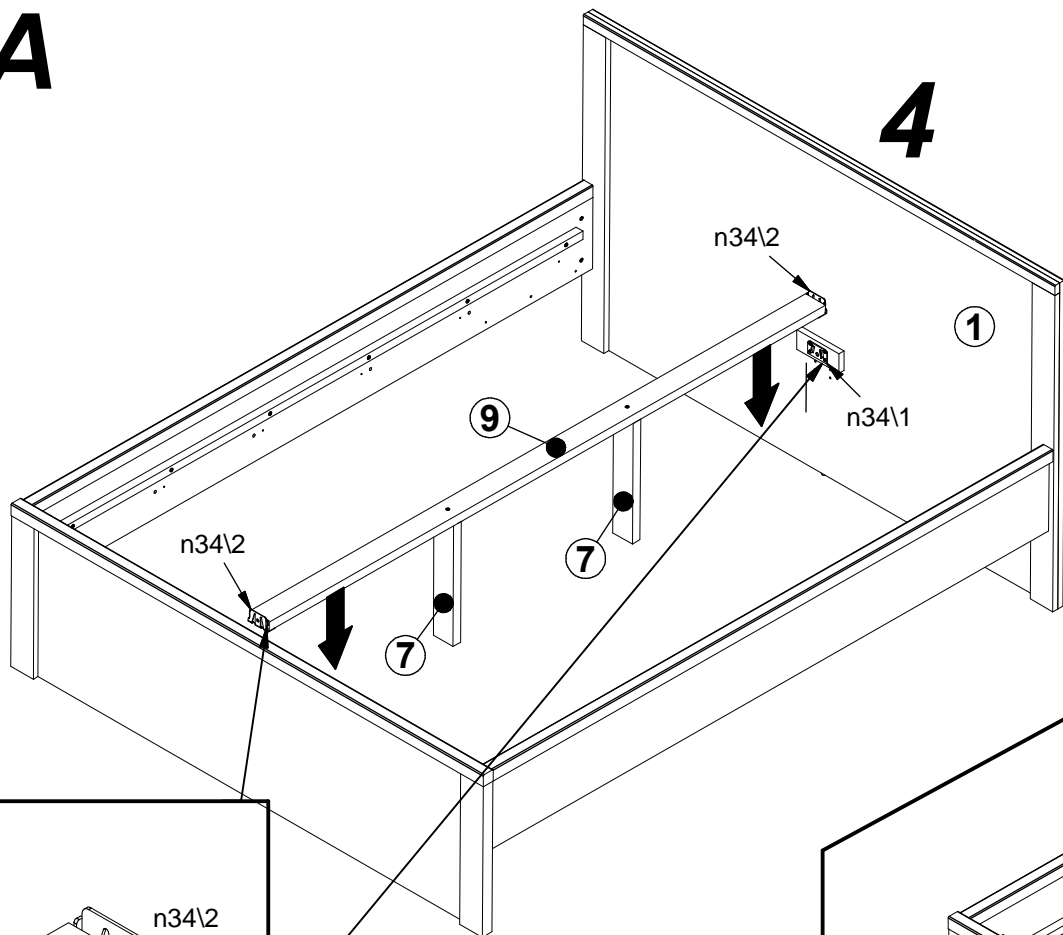




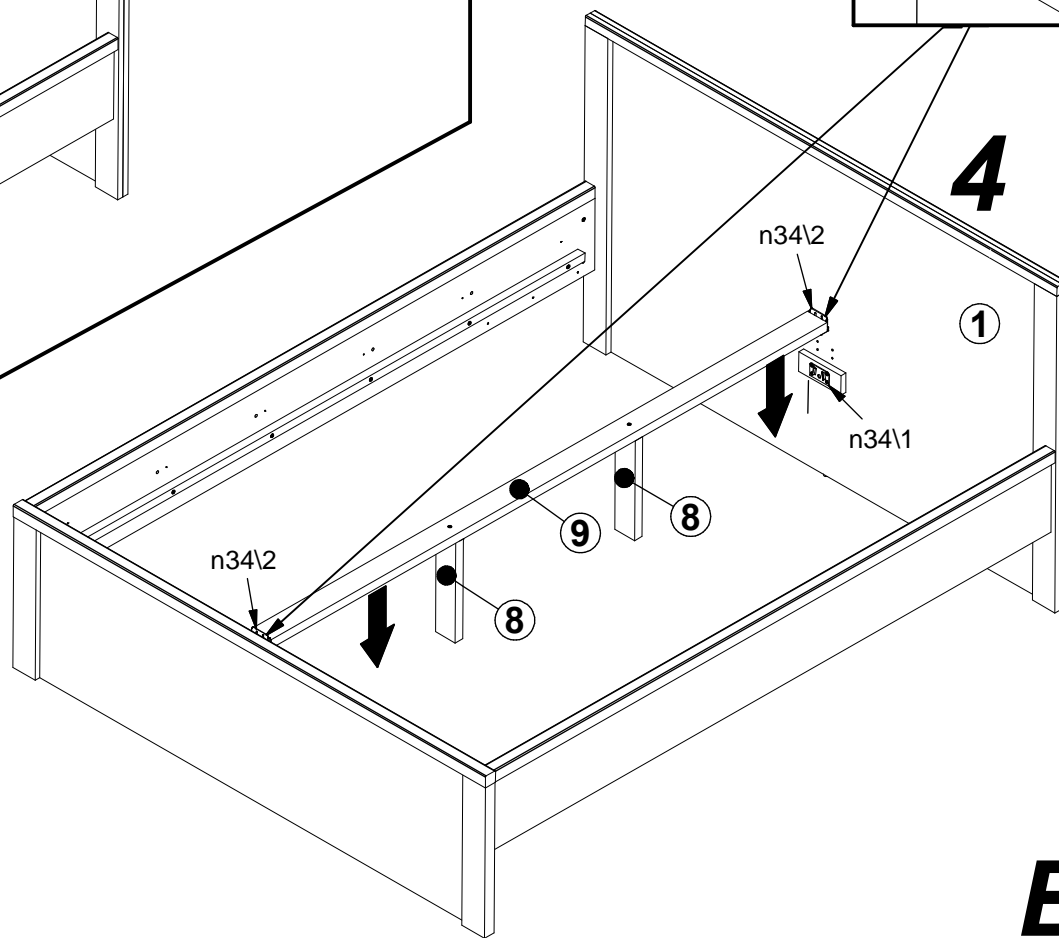


A

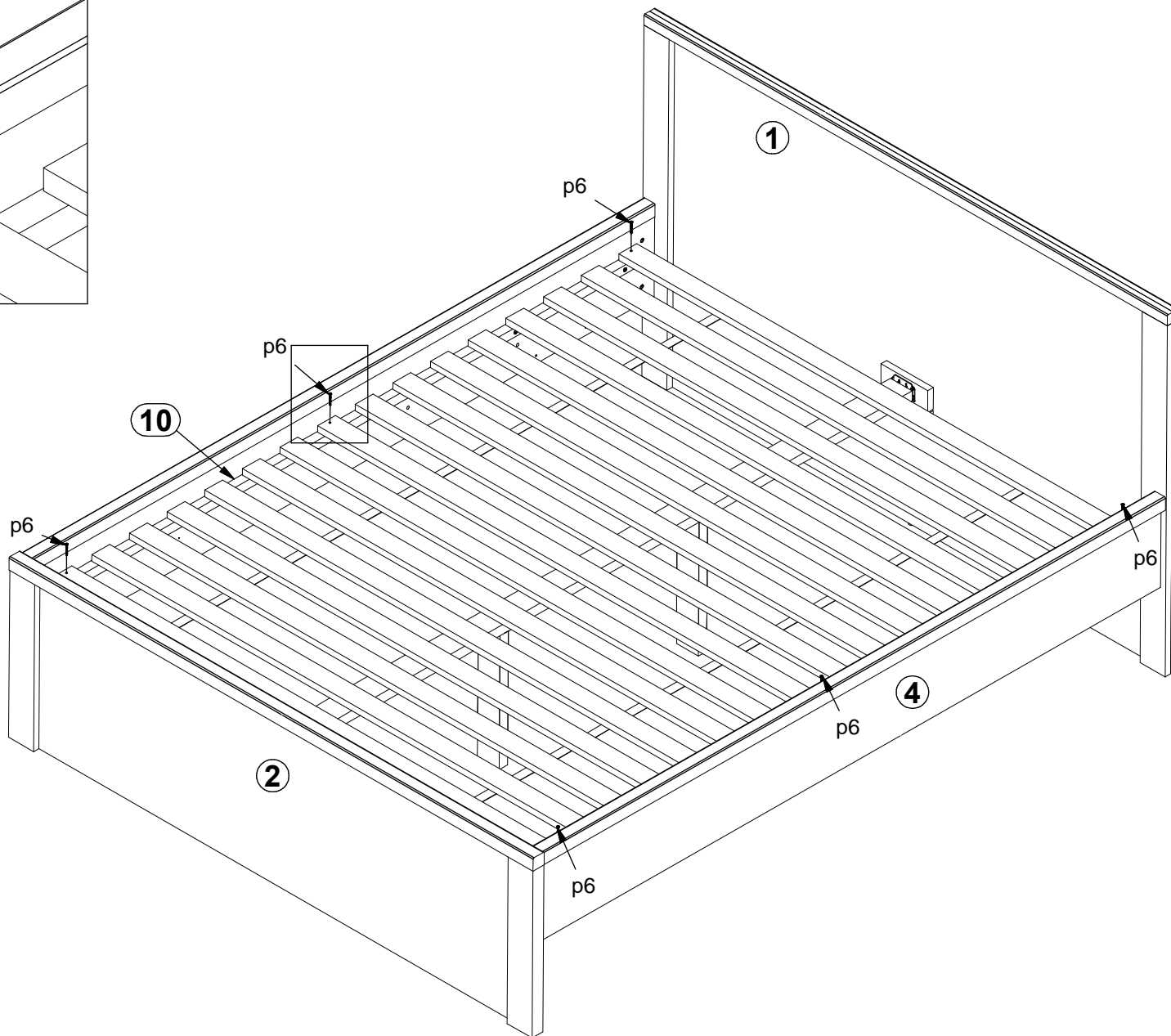
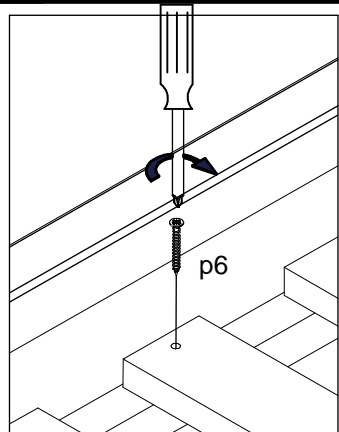
4



4



B



A	B	C1	C2	C3	D
11		1450	380	80	1/1

