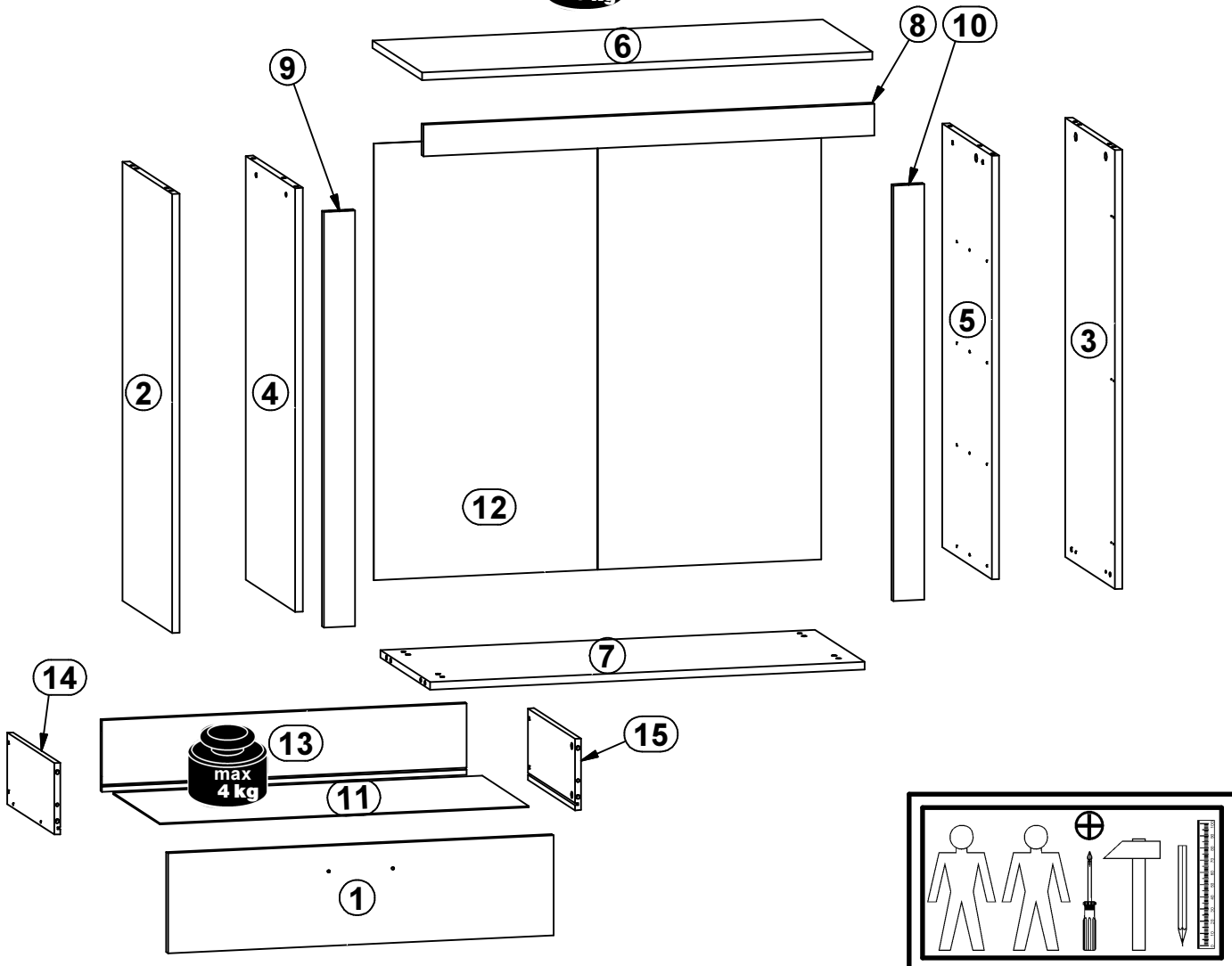
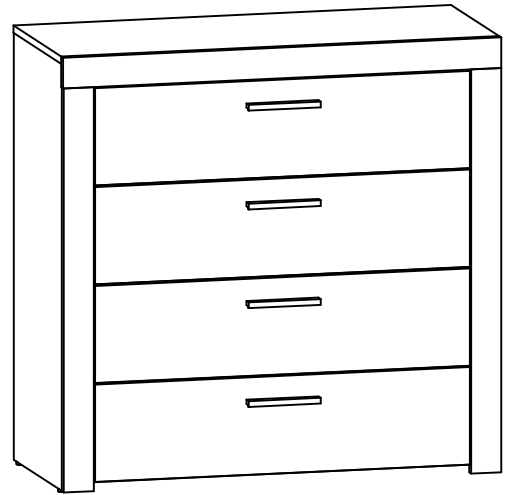


A

BALDER

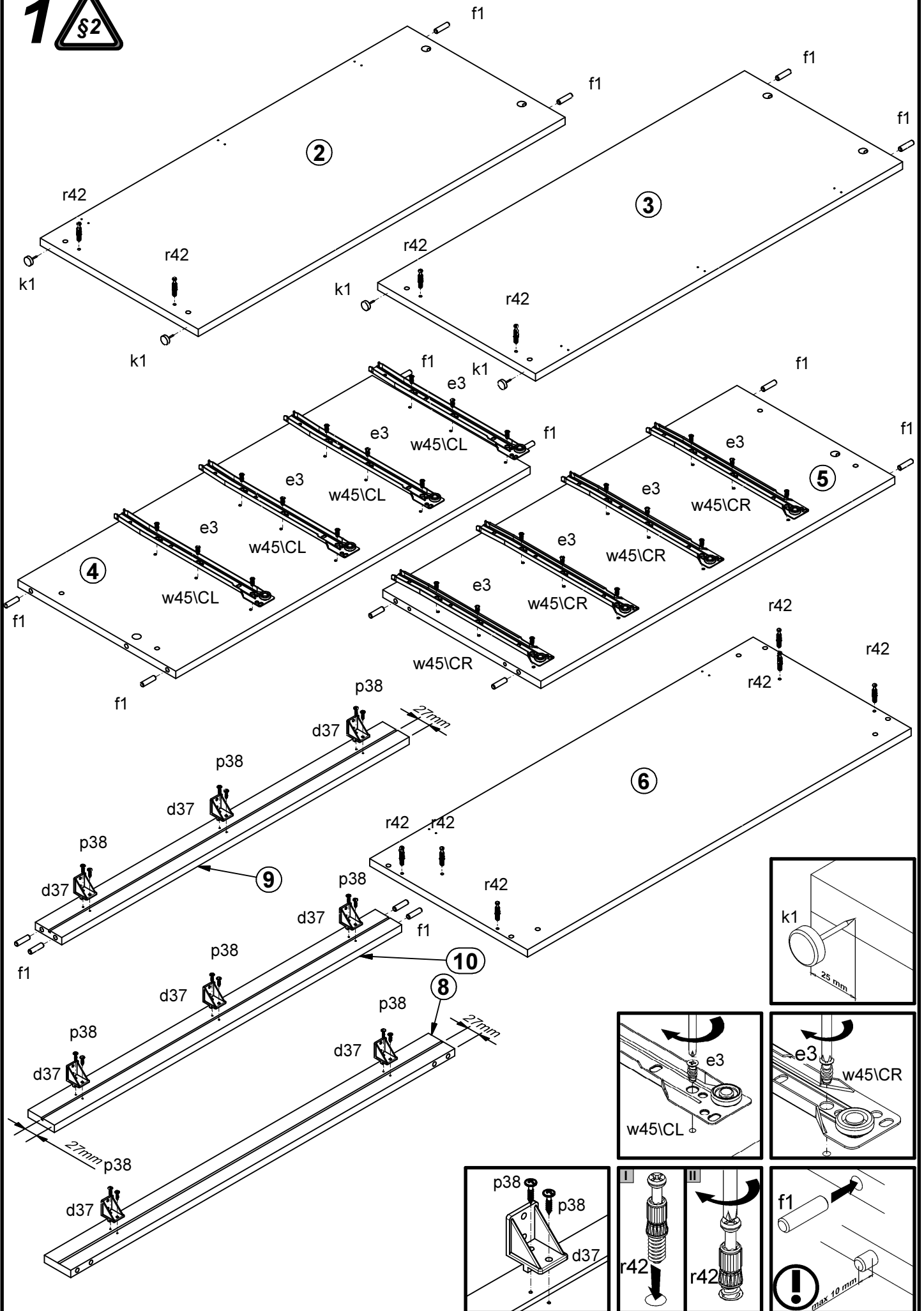
S382-KOM4S

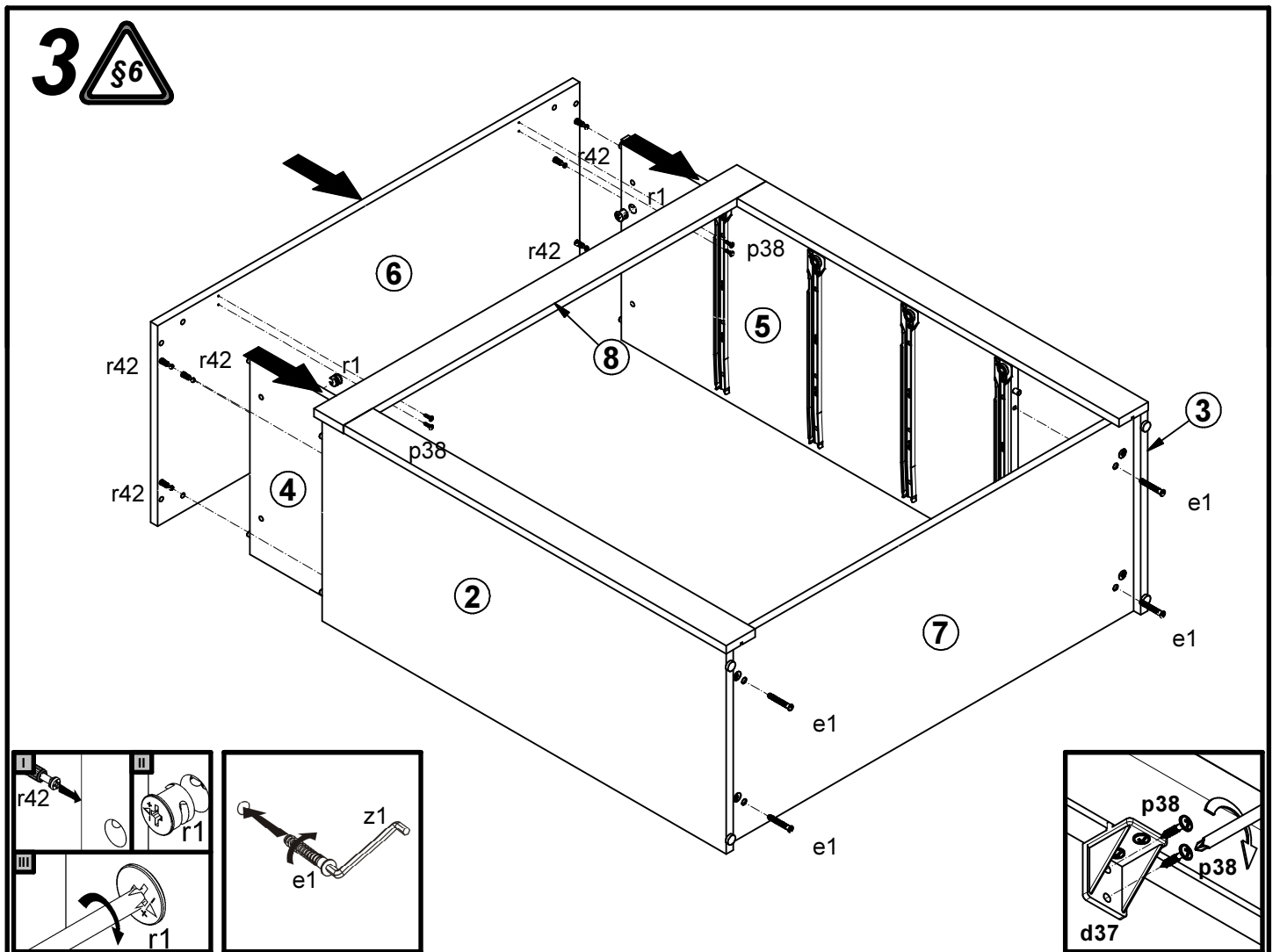
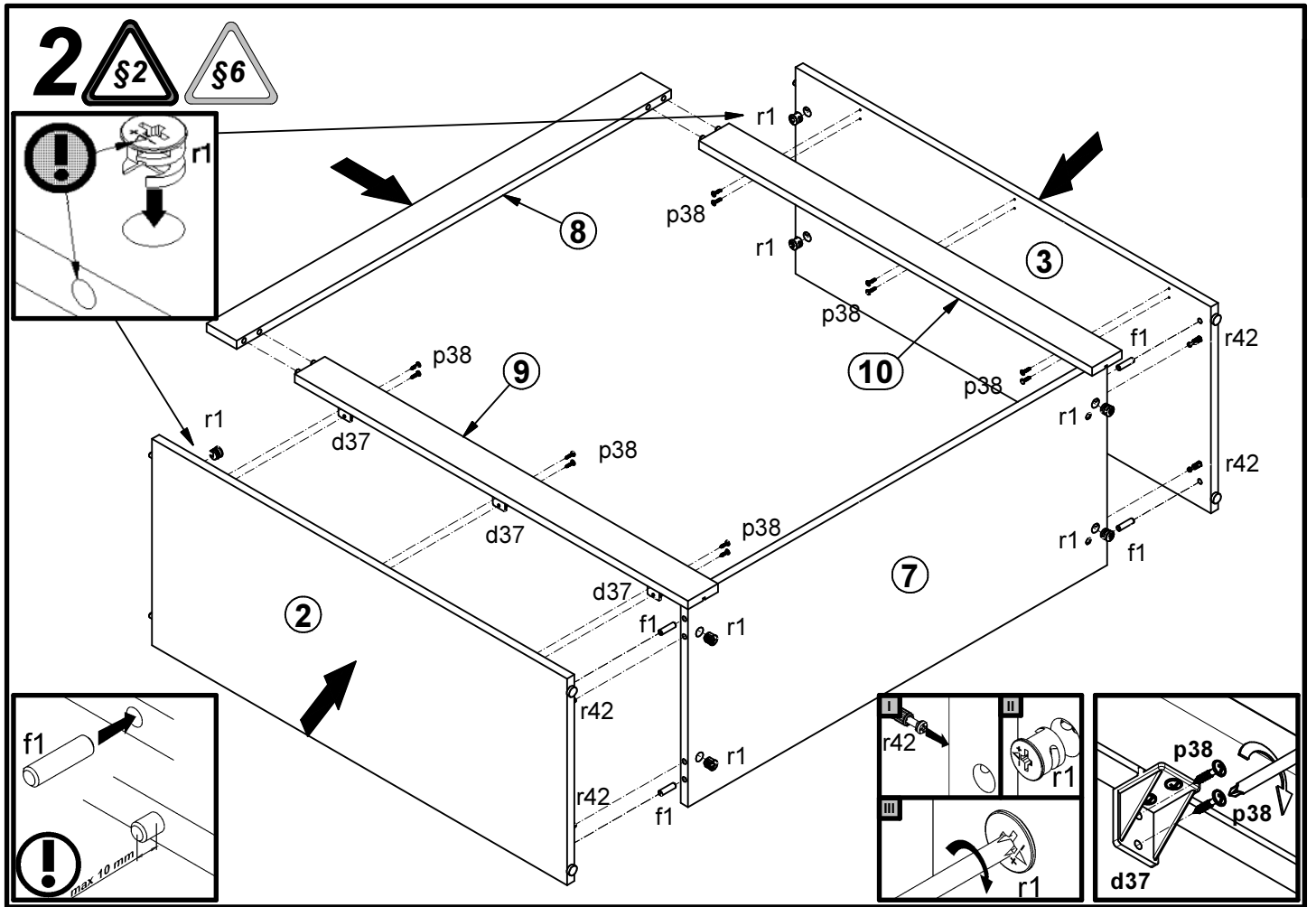
A	B	C	D	
1	S382-0012	770	196	2/2
2	S382-1023	860	370	1/2
3	S382-1024	860	370	1/2
4	S382-1025	830	370	1/2
5	S382-1026	830	370	1/2
6	S382-2007	899	370	1/2
7	S382-3015	868	370	1/2
8	S382-5010	900	62	1/2
9	S382-5019	814	62	1/2
10	S382-5020	814	62	1/2
11	S382-9007	737	348	1/2
12	S382-9304	855	893	1/2
13	ZS4-5509	728	140	1/2
14	ZS6-501	350	140	1/2
15	ZS6-502	350	140	1/2



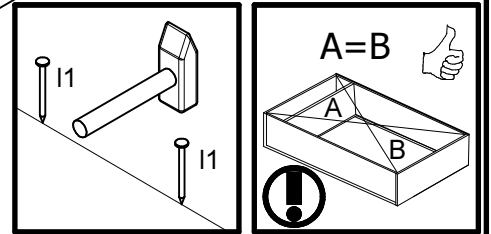
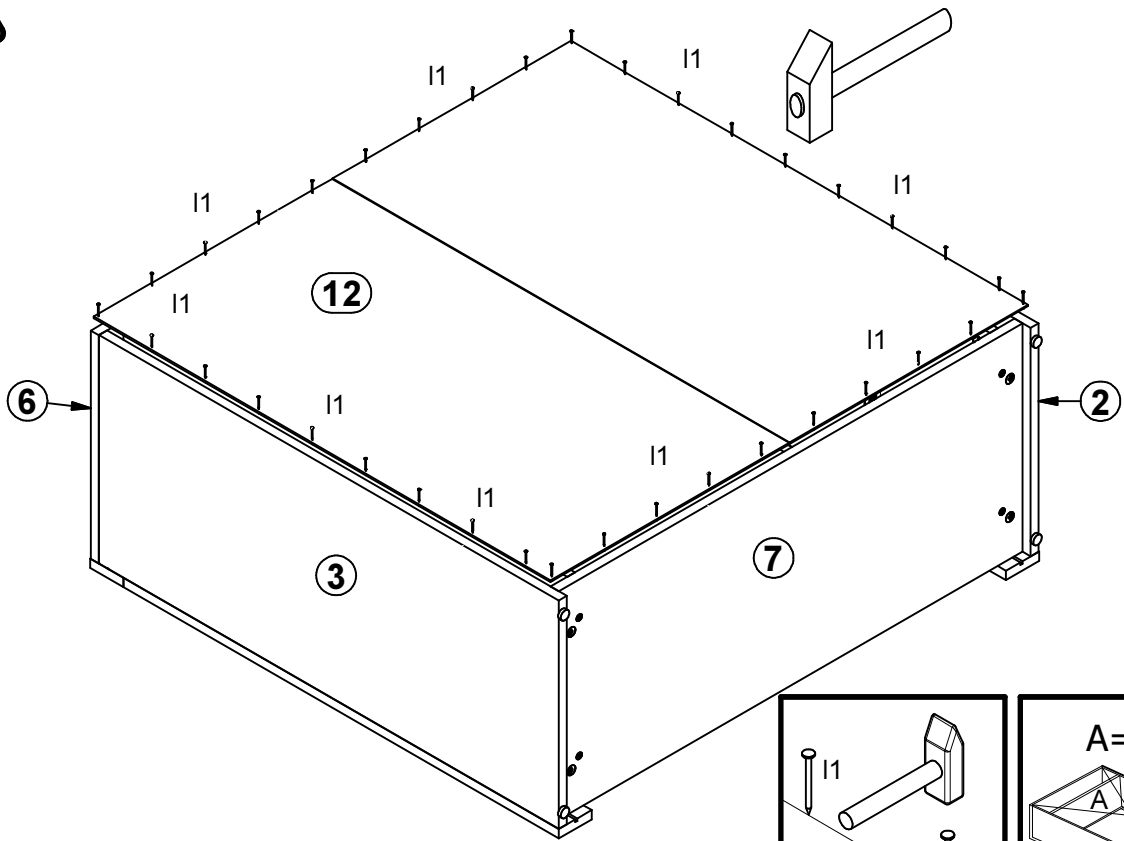
4x l28 mm c328	8x d37	4x Ø7x50 mm e1	16x Ø5x9 mm e19	24x Ø6x13 mm e3	20x Ø8x30 mm f1	8x Ø6x30 mm f9	16x Ø6,5x40 mm f25	4x k1
40x l1	8x Ø3,5x16 mm p25	32x Ø3,5x16 mm p38	8x Ø4x22 mm p60	10x Ø15x12 mm #16 r1	16x Ø12x10,5 mm #12 r15	26x 20/11 r42	4x 333 mm t19	4x 350 mm w45\CL
4x 350 mm w45\CR	4x 350 mm w45\DL	4x 350 mm w45\DR	2x Ø16 s2	1x 4 mm z1				
							1x n26\1	1x Ø3,5x16 mm p38

1 

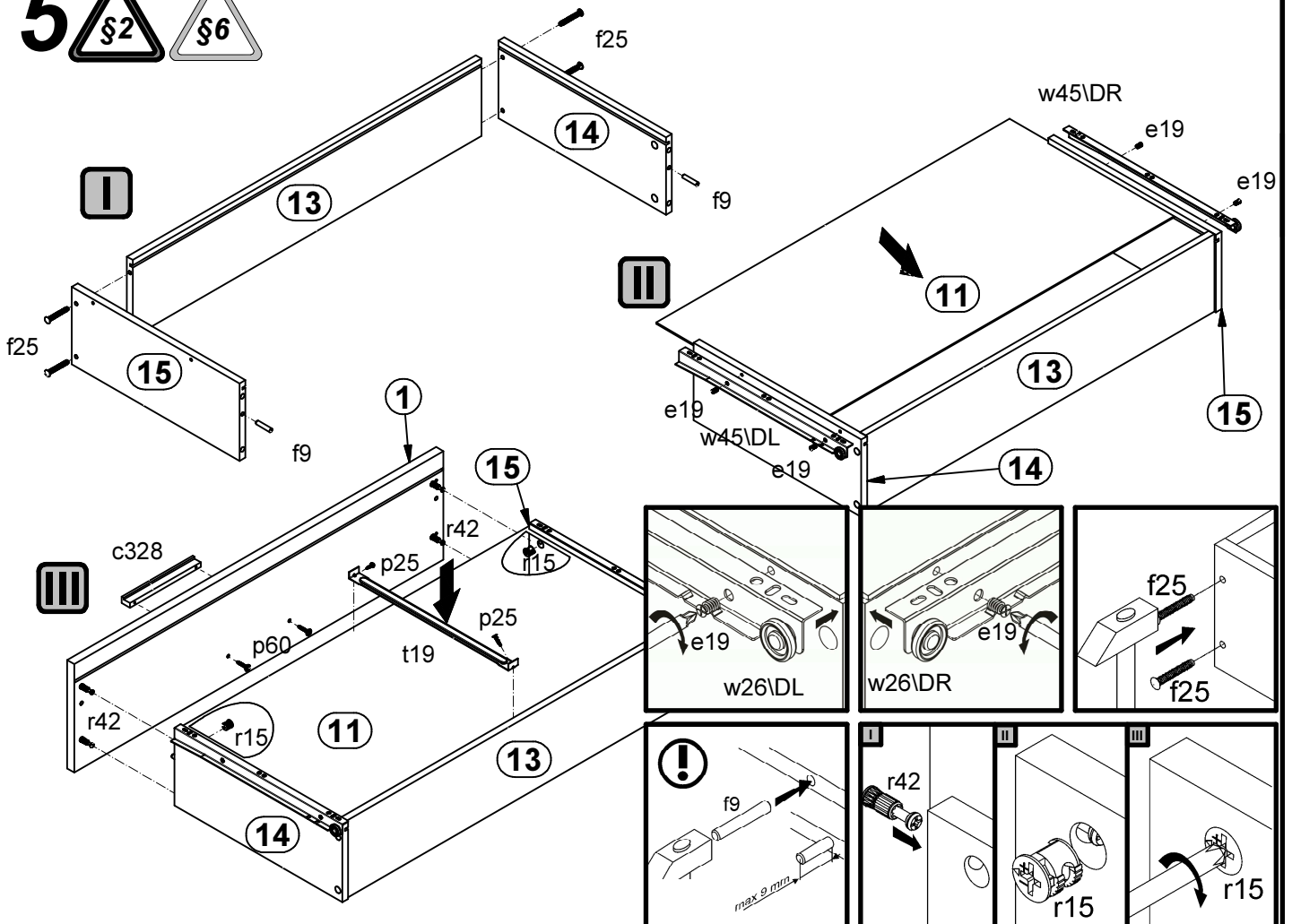




4 



5  



6

