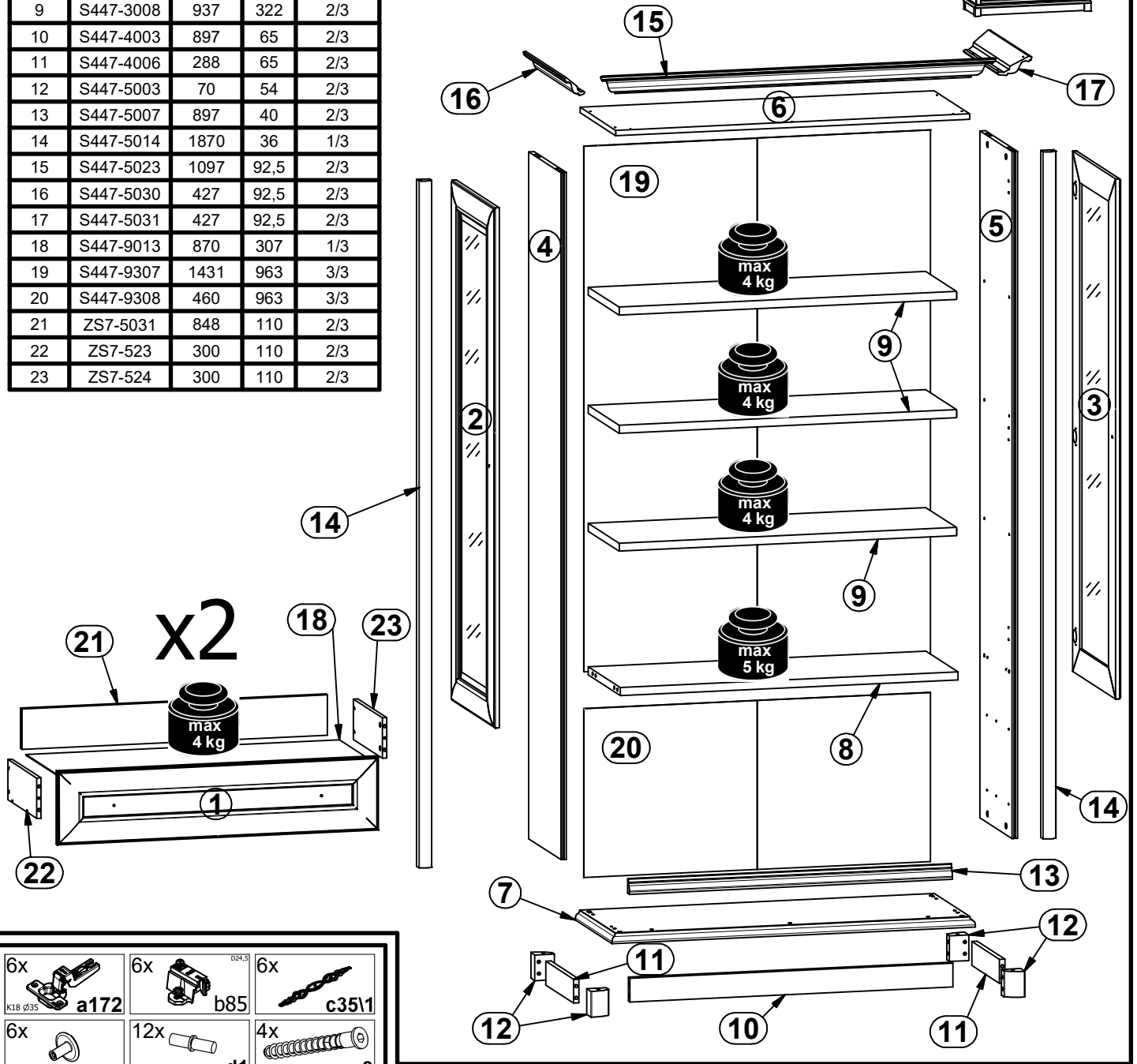
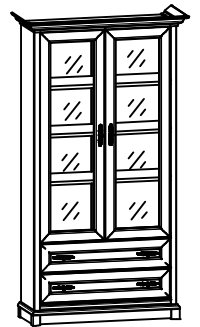
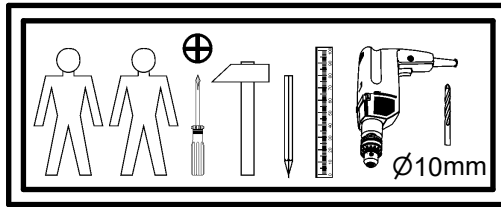


A

KENT

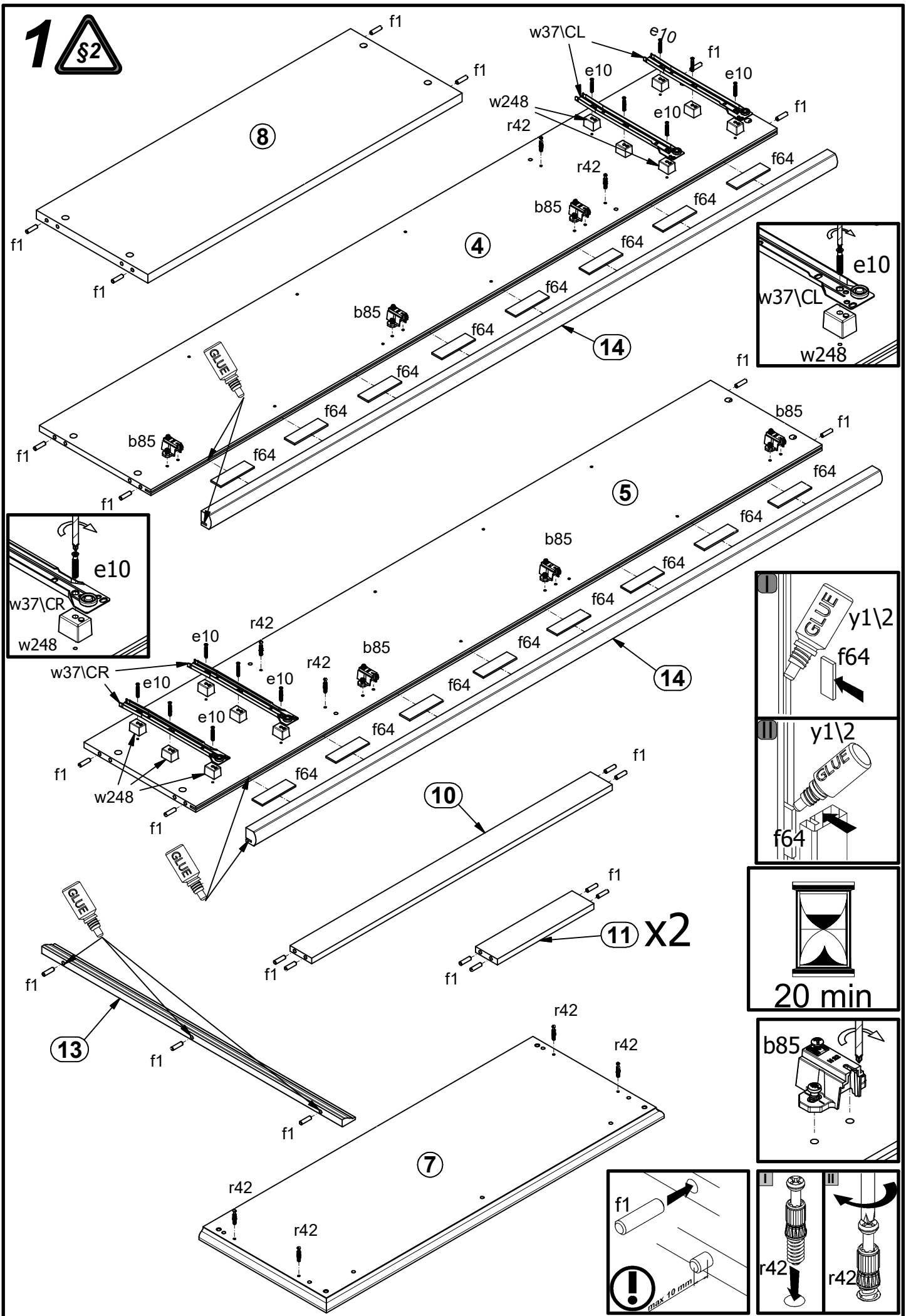
S447-EWIT2D2S

A	B	C	D	
1	S447-0007	892	200	3/3
2	S447-0014	1416	445	3/3
3	S447-0015	1416	445	3/3
4	S447-1019	1870	333	1/3
5	S447-1020	1870	333	1/3
6	S447-2015	983	370	2/3
7	S447-2016	1009	380	2/3
8	S447-3007	938	333	2/3
9	S447-3008	937	322	2/3
10	S447-4003	897	65	2/3
11	S447-4006	288	65	2/3
12	S447-5003	70	54	2/3
13	S447-5007	897	40	2/3
14	S447-5014	1870	36	1/3
15	S447-5023	1097	92,5	2/3
16	S447-5030	427	92,5	2/3
17	S447-5031	427	92,5	2/3
18	S447-9013	870	307	1/3
19	S447-9307	1431	963	3/3
20	S447-9308	460	963	3/3
21	ZS7-5031	848	110	2/3
22	ZS7-523	300	110	2/3
23	ZS7-524	300	110	2/3

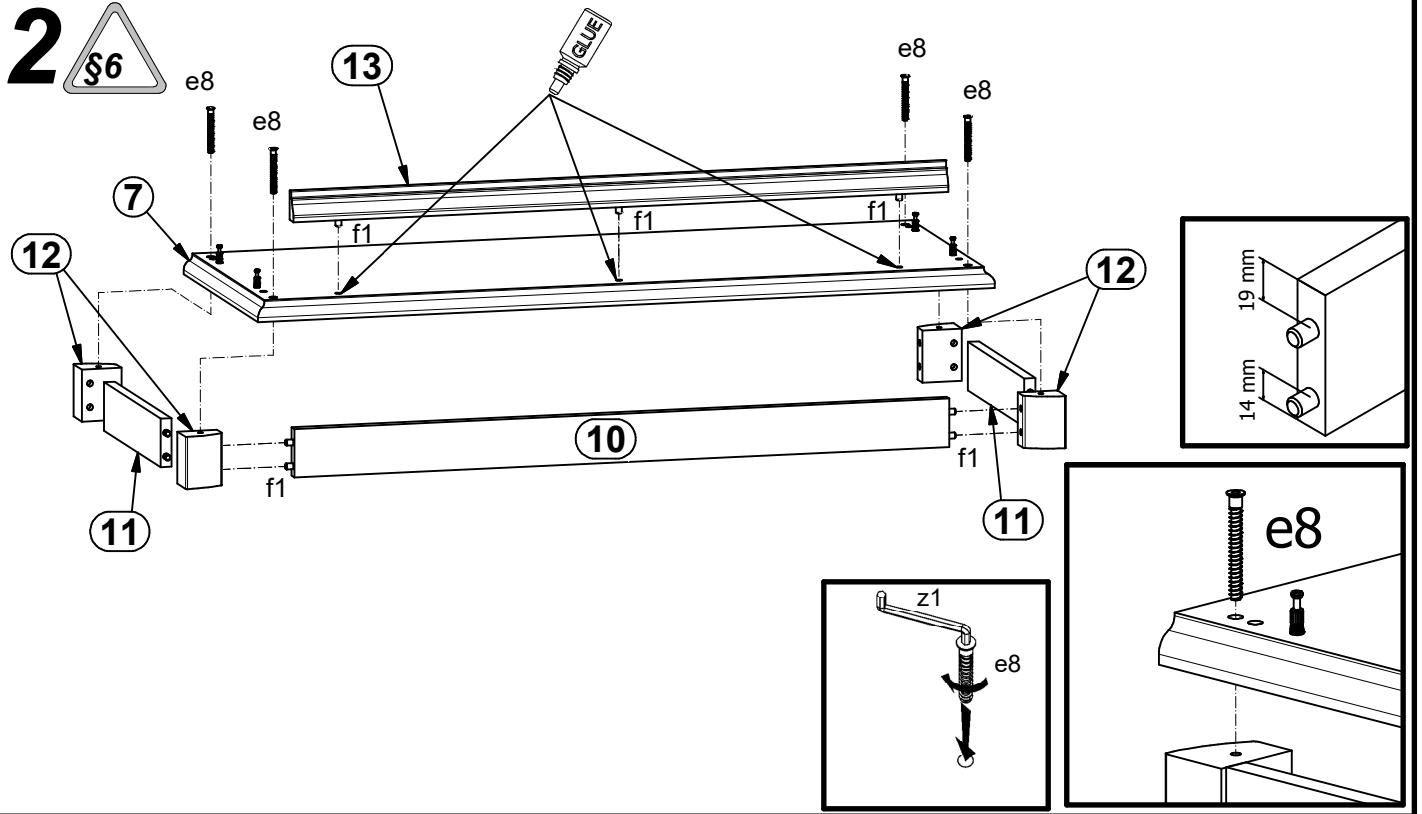


6x K18 Ø35 a172	6x D24,5 b85	6x c35\1	6x c35\2	12x Ø5x17 mm d1	4x Ø7x60 mm e8	12x Ø6x33 mm e10	8x Ø5x9 mm e19	27x Ø8x30 mm f1	4x Ø6x30 mm f9	8x Ø6,5x40 mm f25	16x 100x30\3,8 mm f64	4x M4x20 mm j1	2x M4x30 mm j6	70x 1,4x20 mm l1			
2x 26x26x16\1-125° n40	2x Ø3,5x16 mm p25	2x Ø3,5x10 mm p35	12x Ø3,5x16 mm p38	7x Ø4x20 mm p39	4x Ø3x7 mm p46	12x Ø3,5x15 mm p51	12x Ø15x12 mm #16 r1	8x Ø12x10,5 mm #12 r15	20x 20\11 r42	2x 300 mm t25	12x H=21mm w248	2x 300 mm w37\CL	2x 300 mm w37\CR	2x 300 mm w37\DL	2x 300 mm w37\DR	1x GLUE 30g y1\2	4x Ø16 s2
1x 4 mm z1																1x n26	1x Ø3,5x16 mm p38

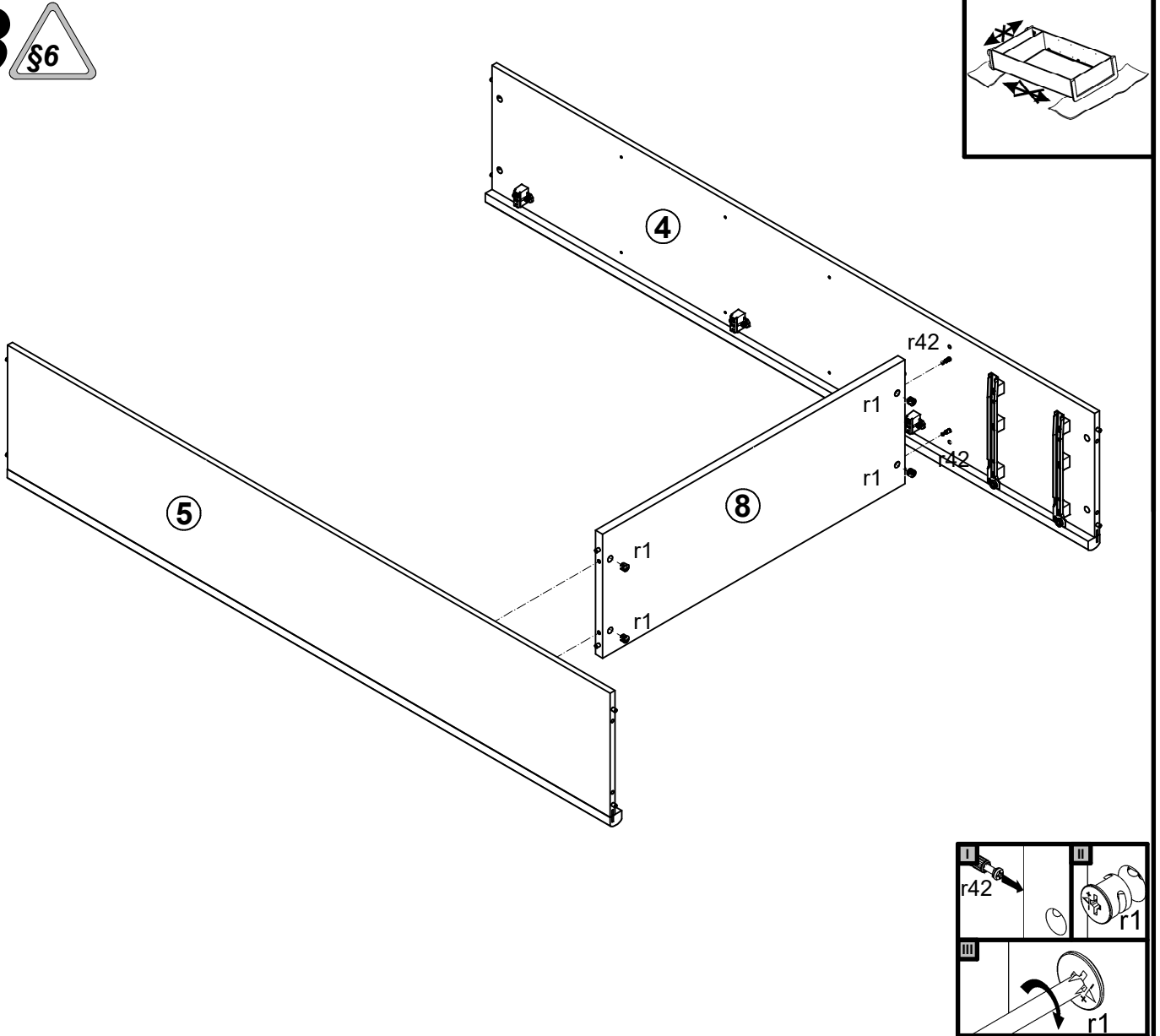
1  §2

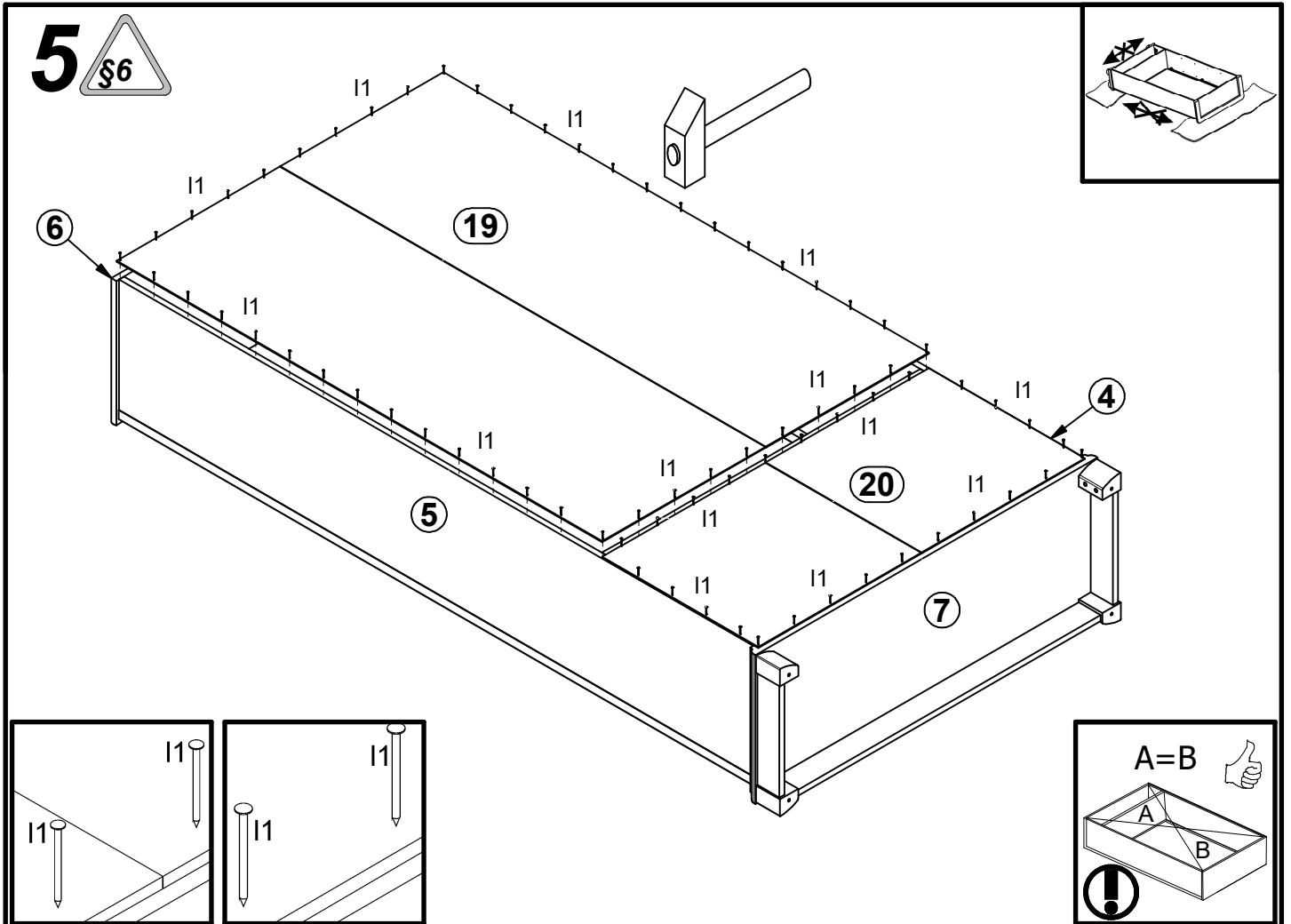
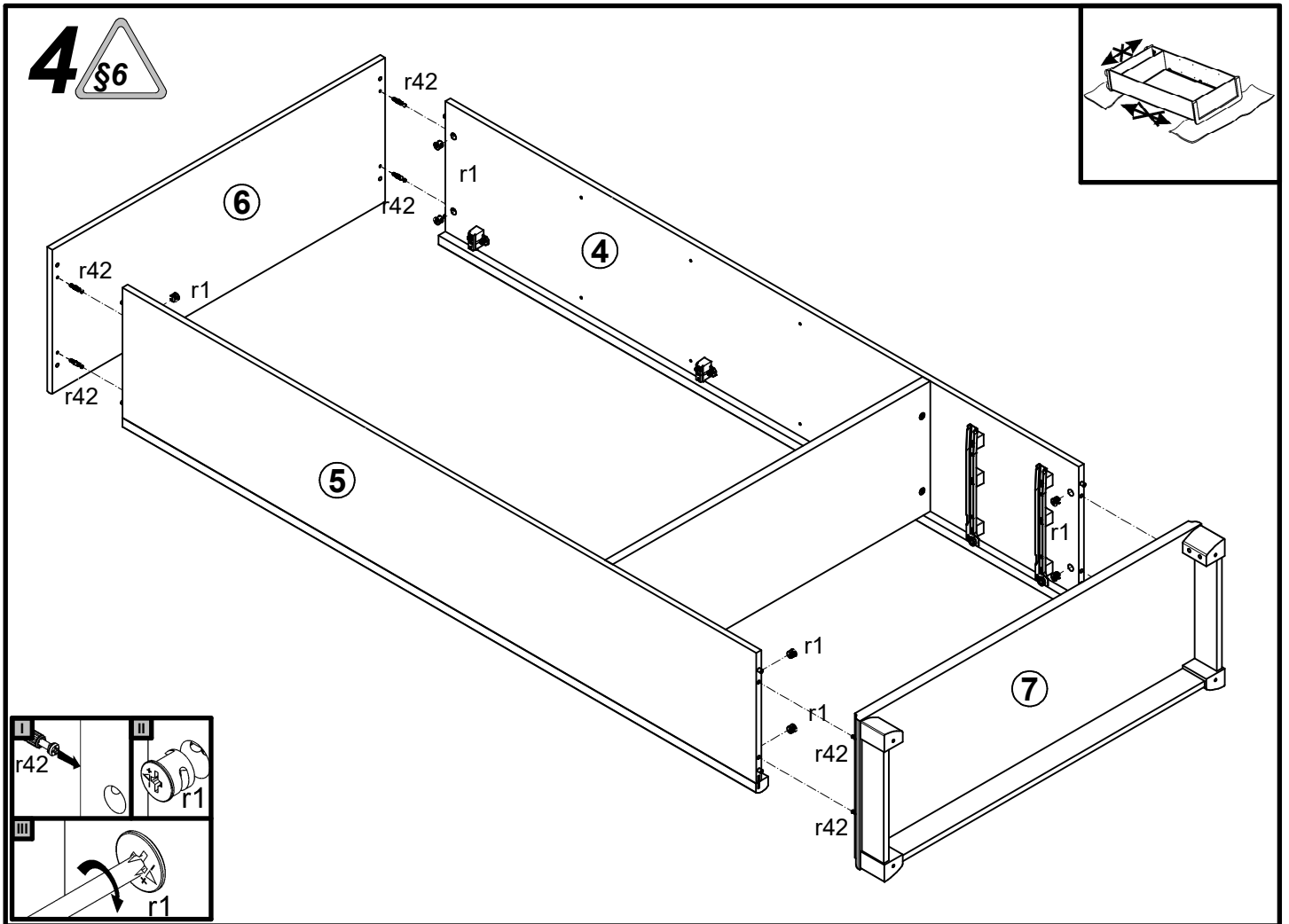


2

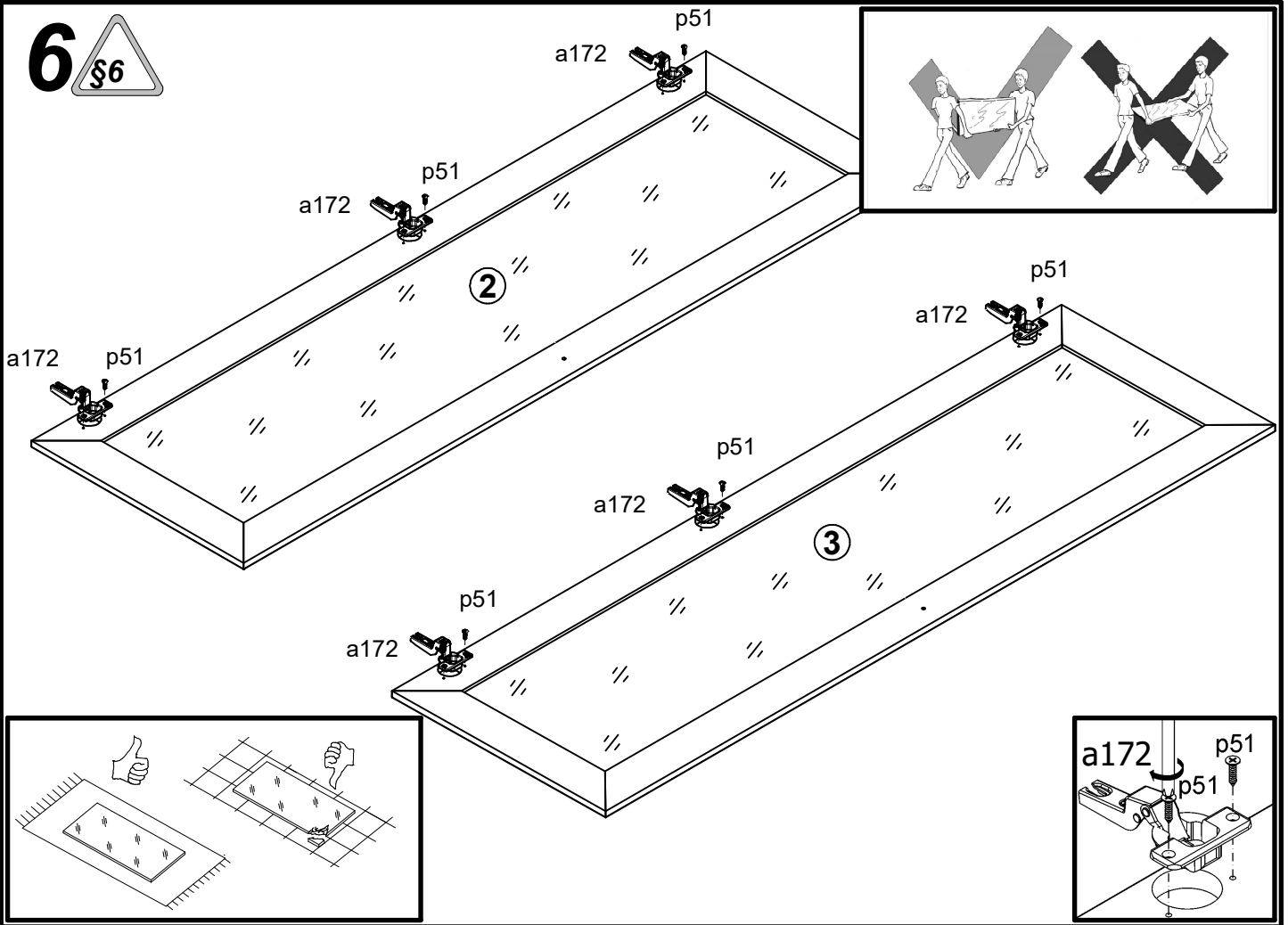


3

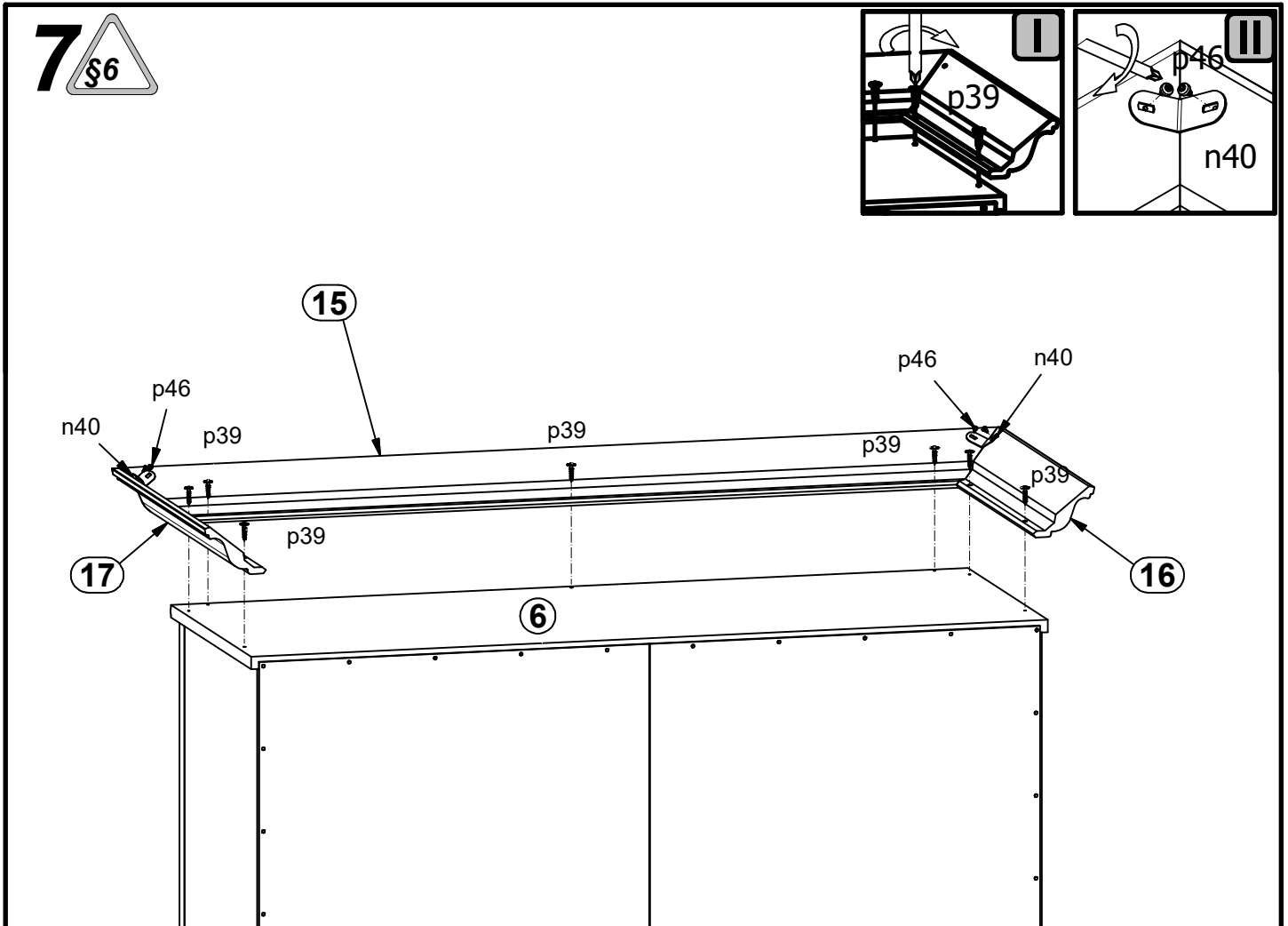




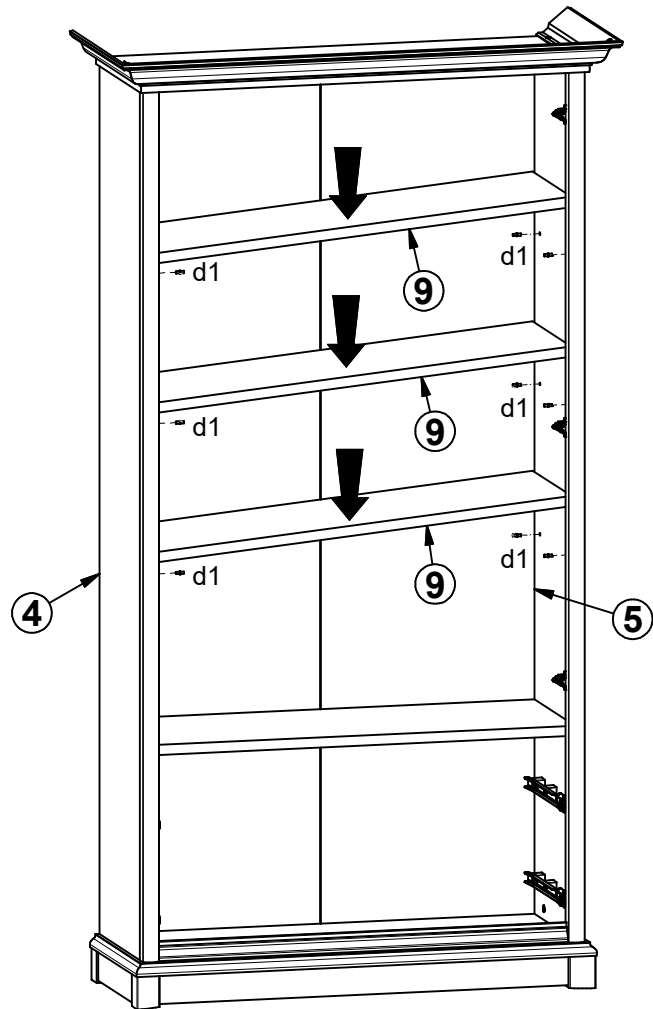
6



7



8 §6



9 §6

