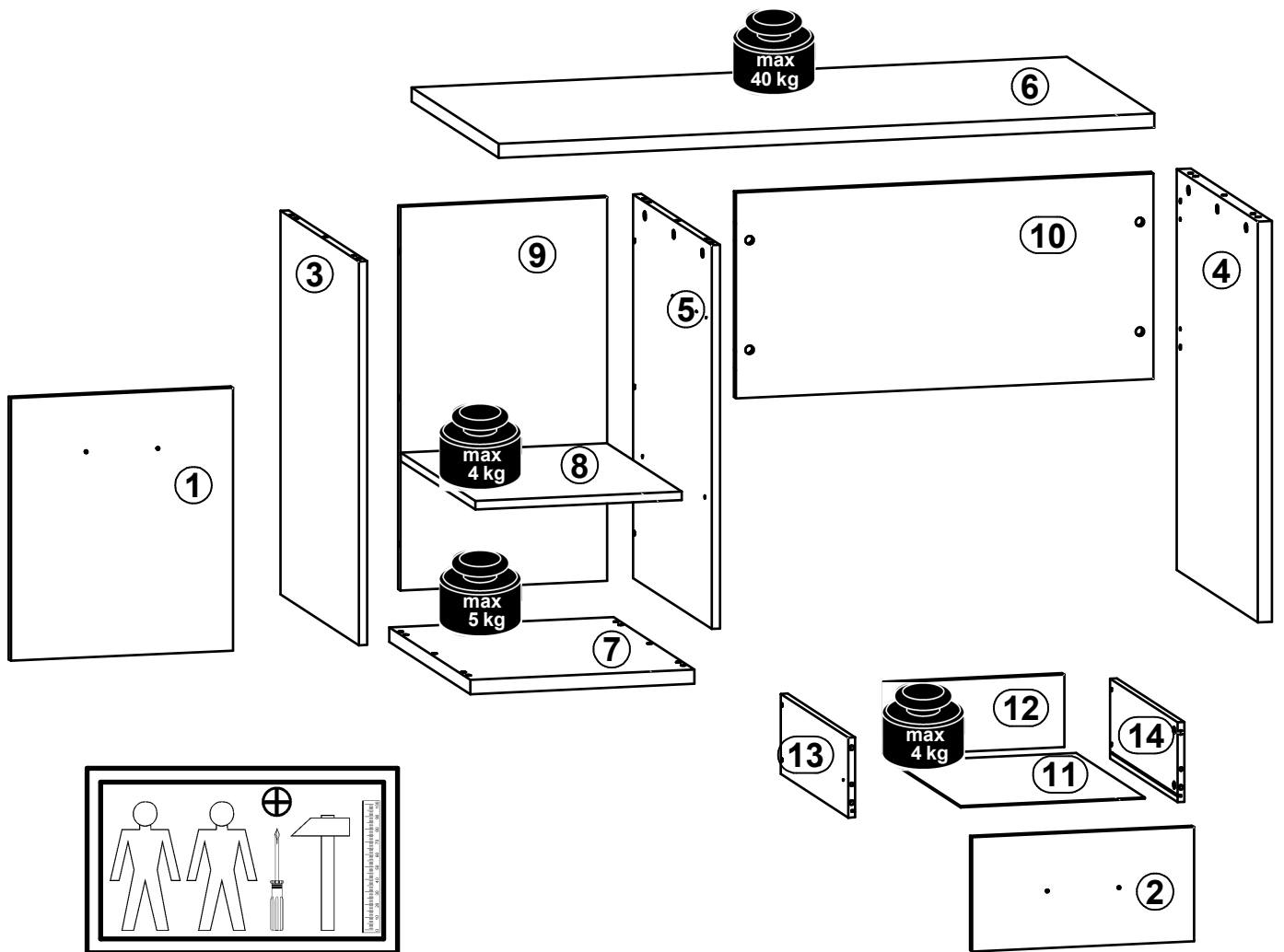
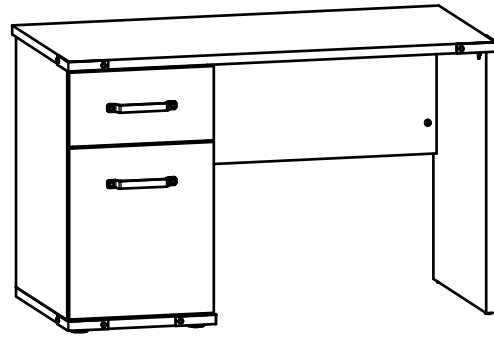


A

LARA

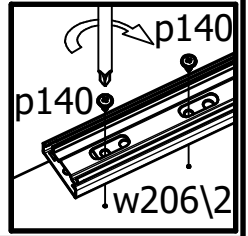
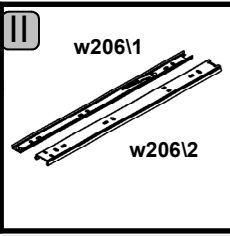
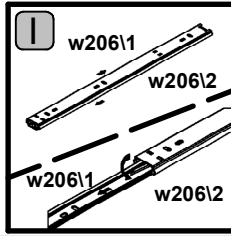
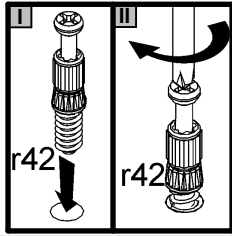
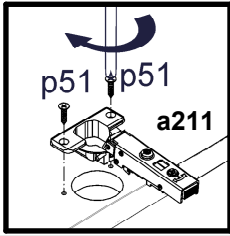
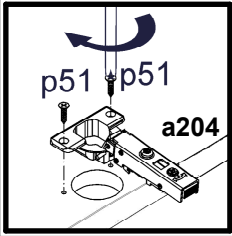
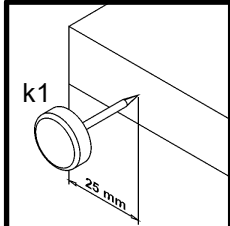
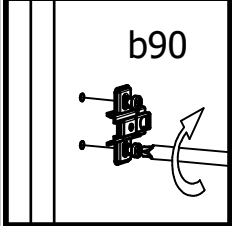
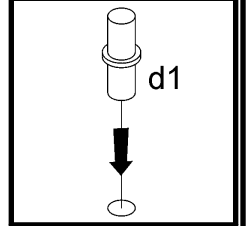
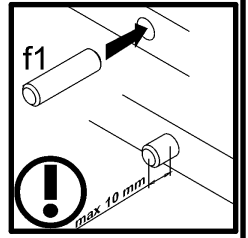
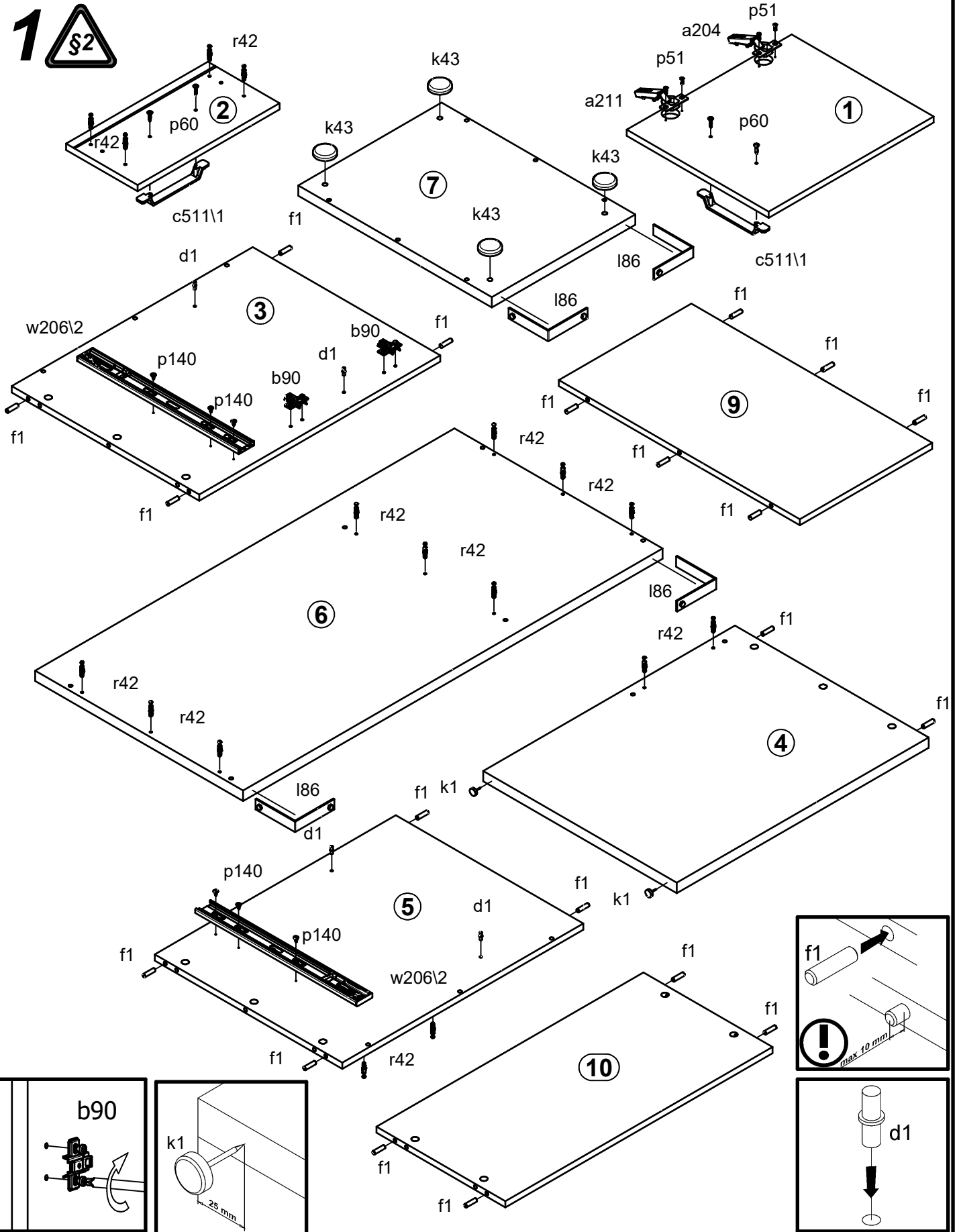
S463-BIU1D1S

A	B	C	D
1	S463-0010	460	396, 2/2
2	S463-0011	396,	200 2/2
3	S463-1019	672	523 2/2
4	S463-1020	702	540 1/2
5	S463-1021	672,	523 2/2
6	S463-2011	1170,	580 1/2
7	S463-2012	400,	540 1/2
8	S463-3012	368,	497 2/2
9	S463-4003	672	369 2/2
10	S463-4004	745	360 2/2
11	S463-9007	329	457 2/2
12	ZK3-5097	319	127 2/2
13	ZK4-517	450	140 2/2
14	ZK4-518	450	140 2/2

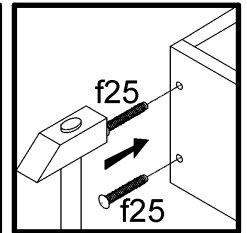
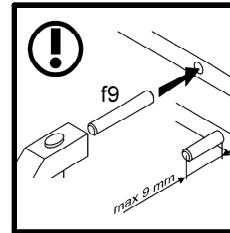
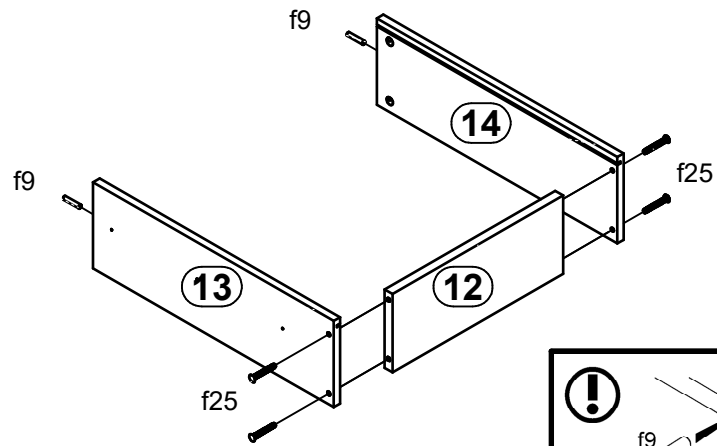


1x Ø35 a204	1x Ø35 a211	2x Ø27 b90	2x l28 c511\1	4x Ø5x17 mm d1	6x Ø7x60 mm e8	20x Ø8x30 mm f1	4x Ø6.5x40 mm f25	2x Ø6x30 mm f9
2x k1	4x Ø48x10 mm k43	4x l86	4x Ø4x22 mm p60	12x Ø3.5x12 mm p140	3x Ø3.5x16 mm p38	4x Ø3.5x15 mm p51	13x Ø15x12 mm #16 r1	4x Ø12x10.5 mm #12 r15
17x 20/11 r42	2x L450 mm w206\2	2x L300 mm w206\1	7x Ø 20mm s68	1x 4 mm z1				

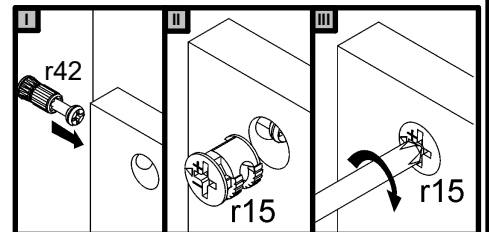
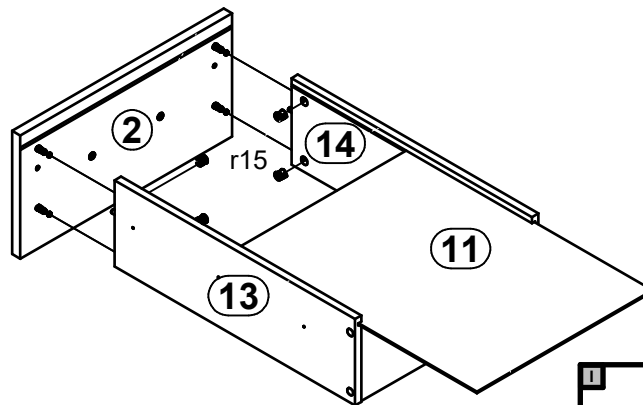
1 



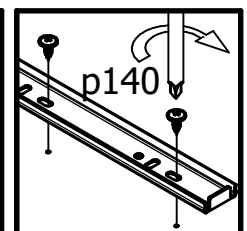
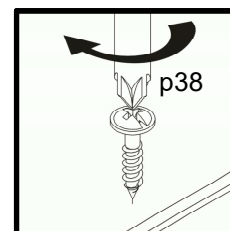
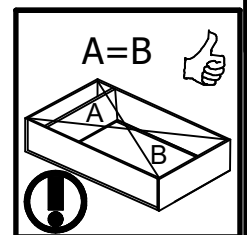
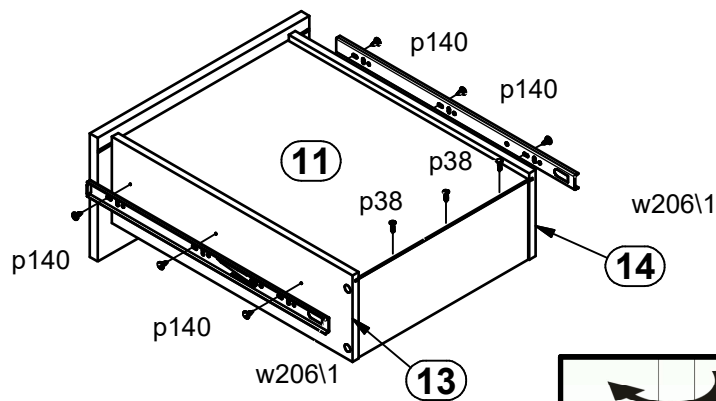
2



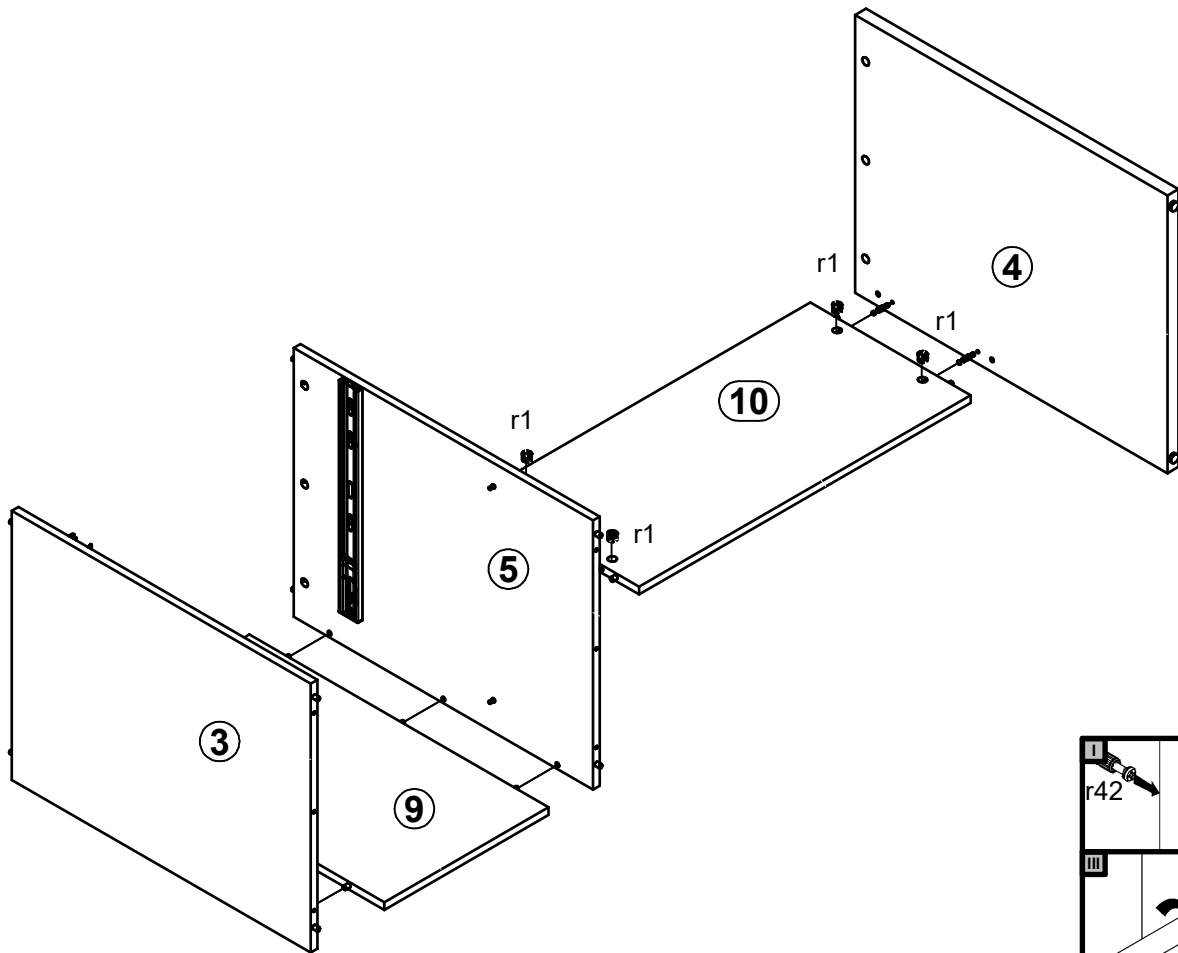
3



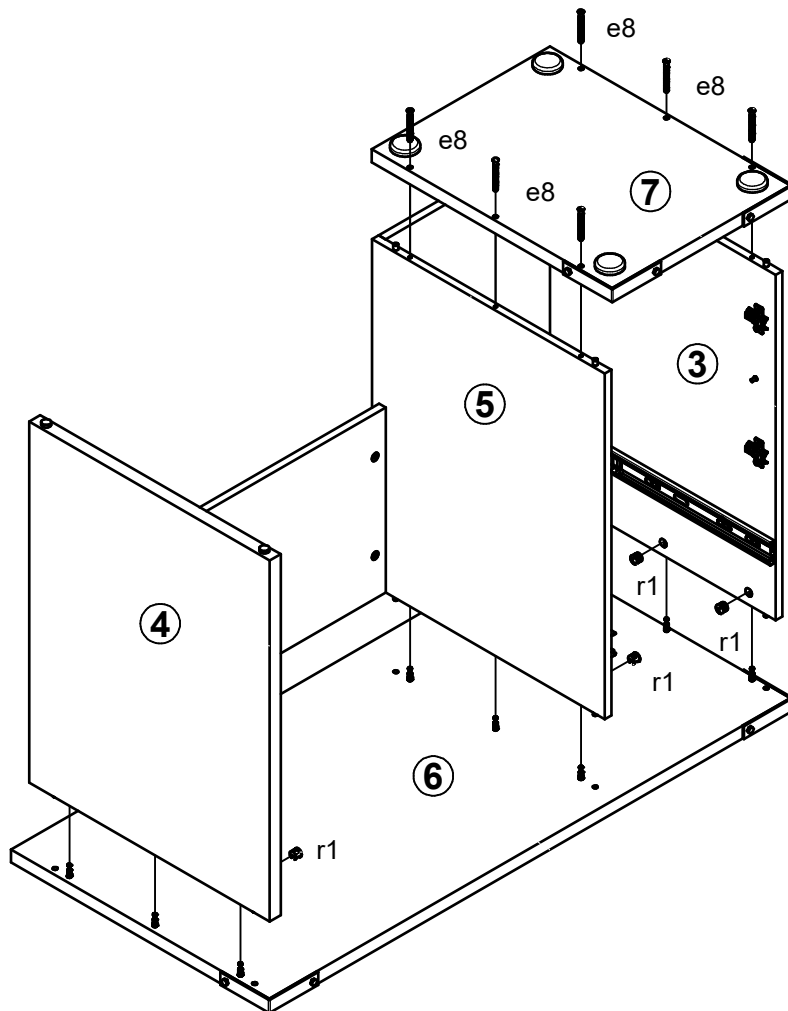
4



5



6



7

