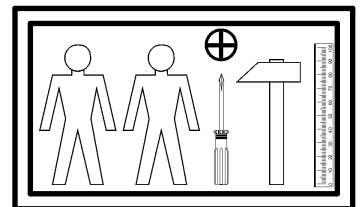
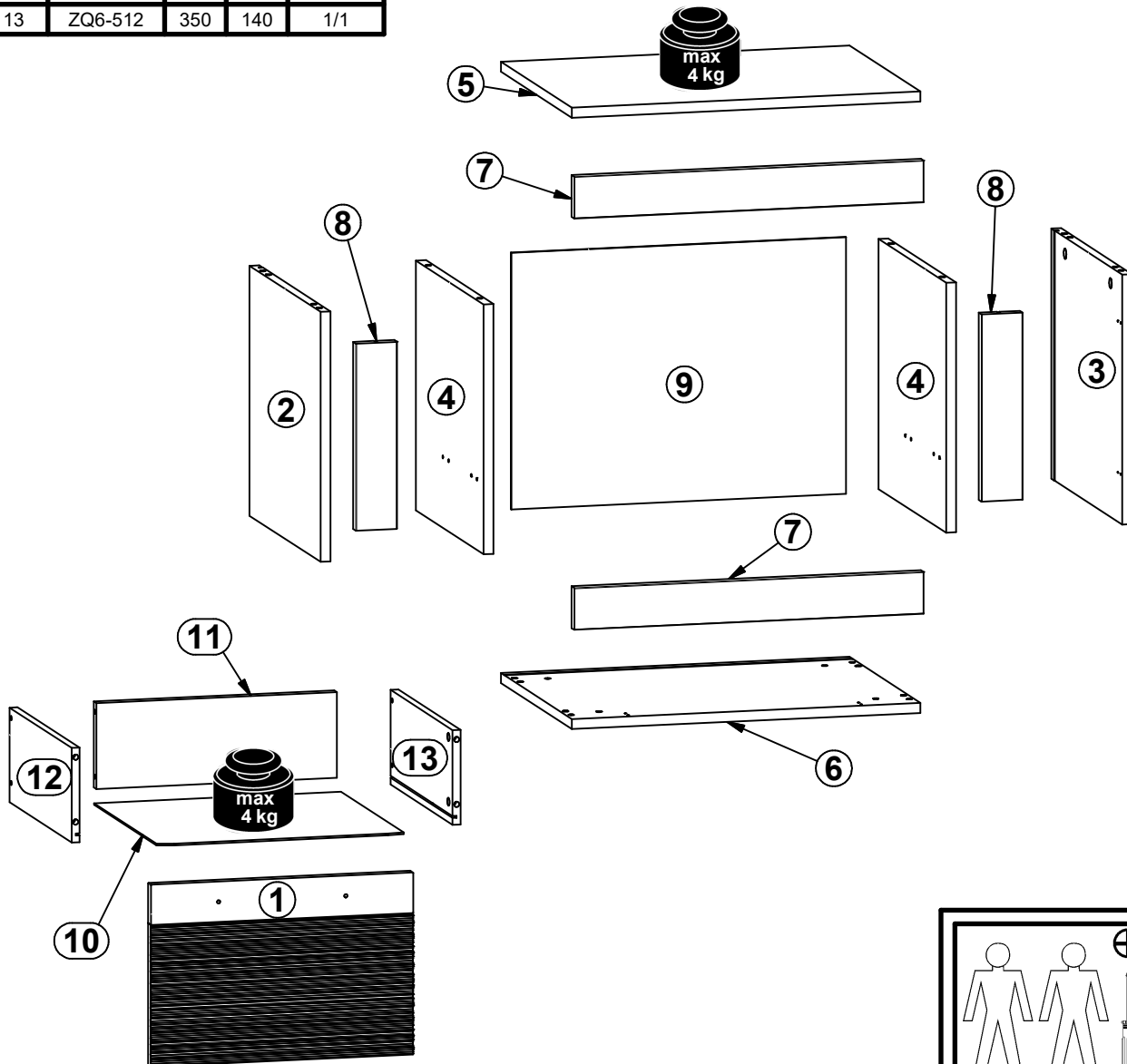
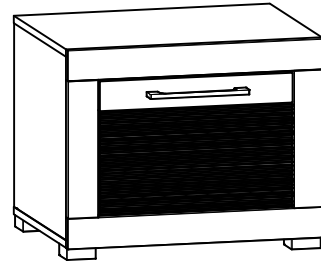
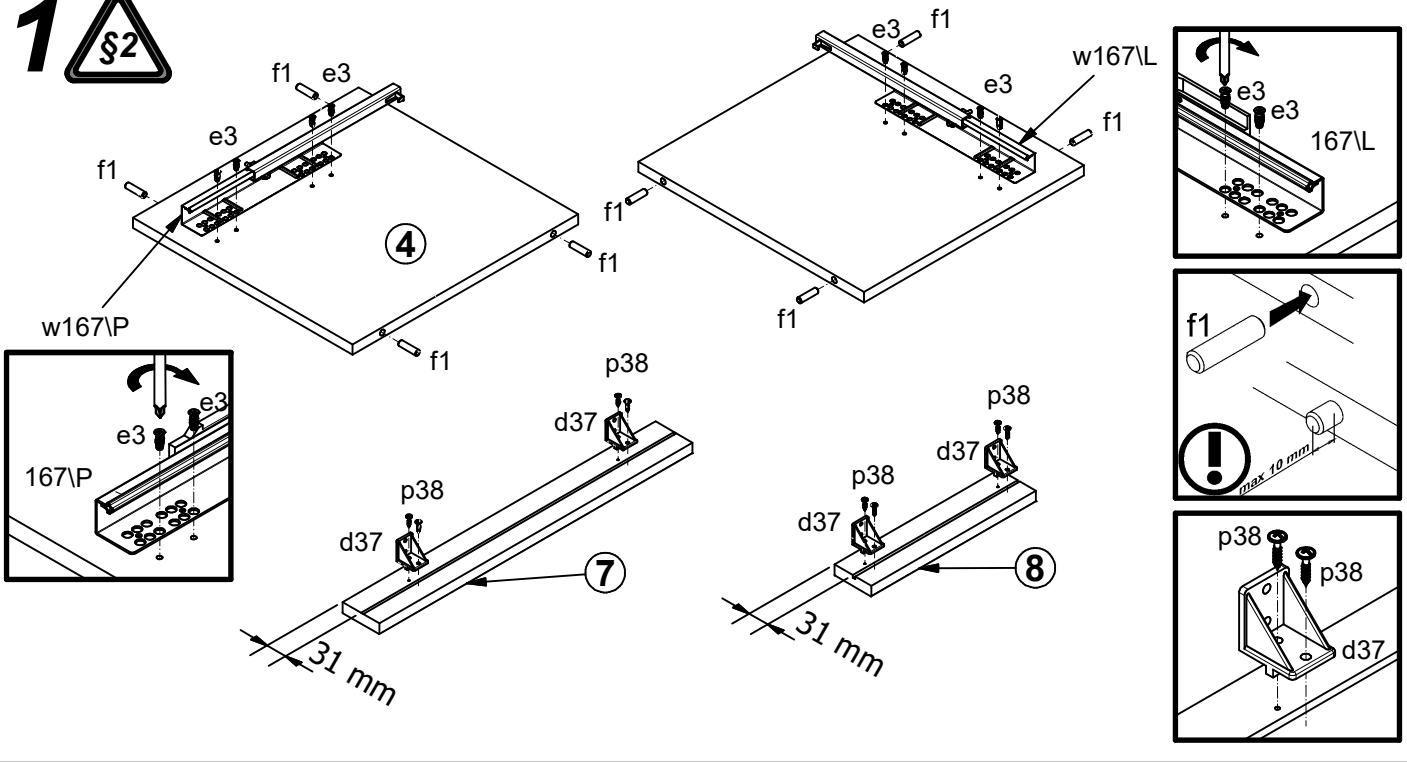


A	B	C	D	
1	S428-0017	396	270	1/1
2	S428-1022	370	400	1/1
3	S428-1023	370	400	1/1
4	S428-1024	370	380	1/1
5	S428-2015	526	400	1/1
6	S428-2016	526	400	1/1
7	S428-5026	527	62	1/1
8	S428-5027	277	62	1/1
9	S428-9007	380	505	1/1
10	S428-9008	373	357	1/1
11	ZQ6-5081	363	127	1/1
12	ZQ6-511	350	140	1/1
13	ZQ6-512	350	140	1/1

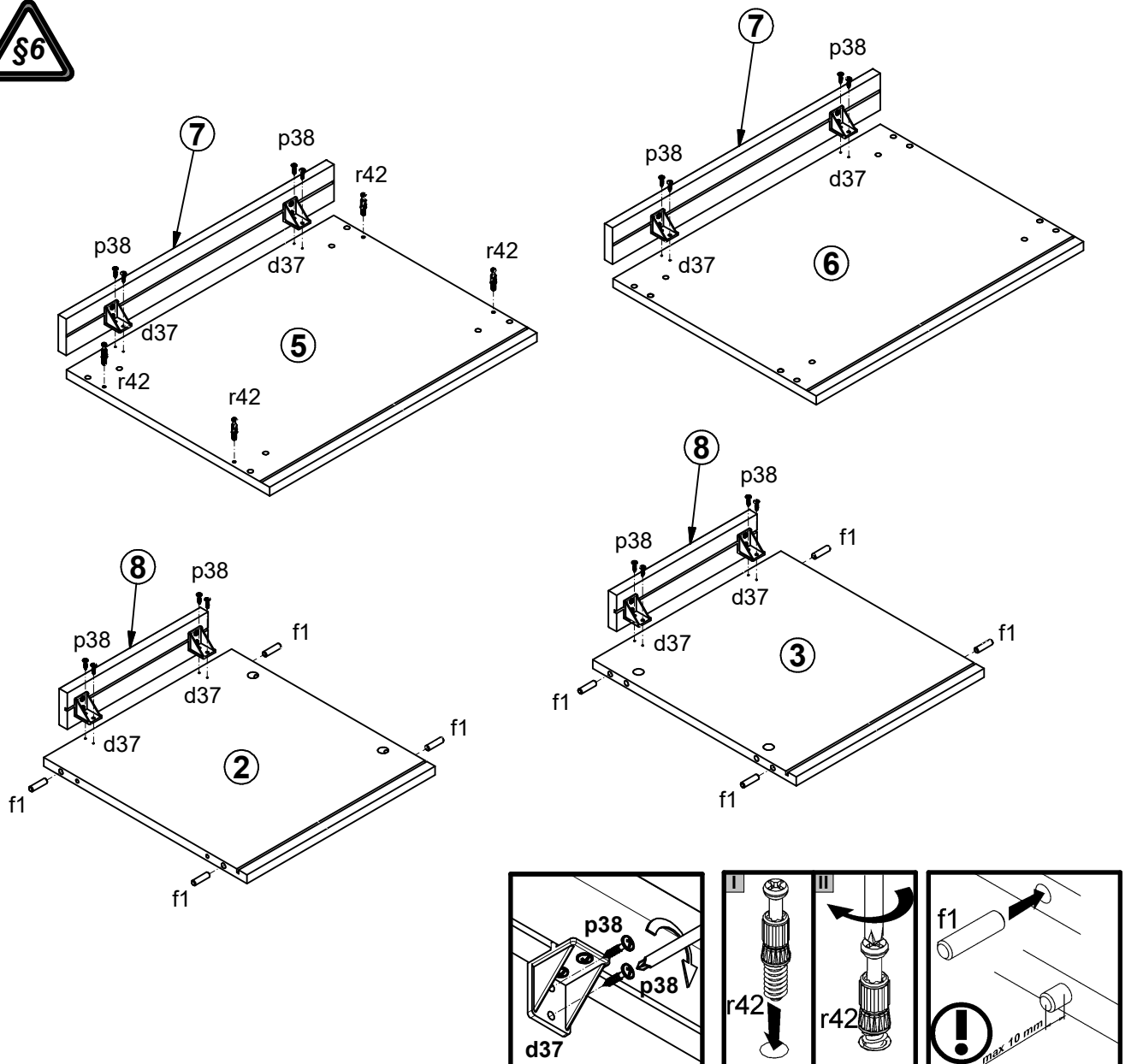


1x 192 mm <b>c306</b>	8x <b>d37</b>	4x Ø7x50 mm <b>e1</b>	8x Ø6x13 mm <b>e3</b>	16x Ø8x30 mm <b>f1</b>	4x Ø6.5x40 mm <b>f25</b>	2x M4x22 mm <b>j30</b>	4x 60x60/25 mm <b>k55</b>	4x <b>l2</b>
35x Ø3.5x16 mm <b>p38</b>	2x Ø2.9x16 mm <b>p55</b>	8x Ø4x35 mm <b>p6</b>	4x Ø15x12 mm #16 <b>r1</b>	4x Ø12x10.5 mm #12 <b>r15</b>	8x 20/11 <b>r42</b>	1x 350mm <b>w167L</b>	1x 350mm <b>w167P</b>	1x 4 mm <b>z1</b>
							1x <b>n26</b>	1x Ø3.5x16 mm <b>p38</b>

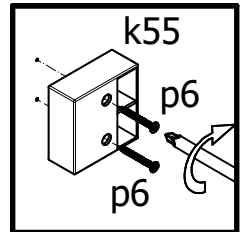
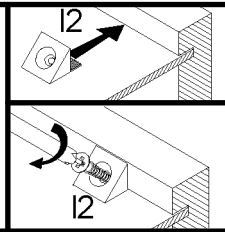
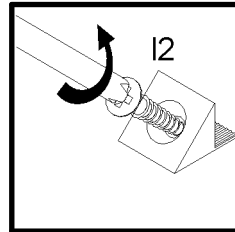
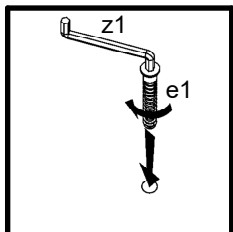
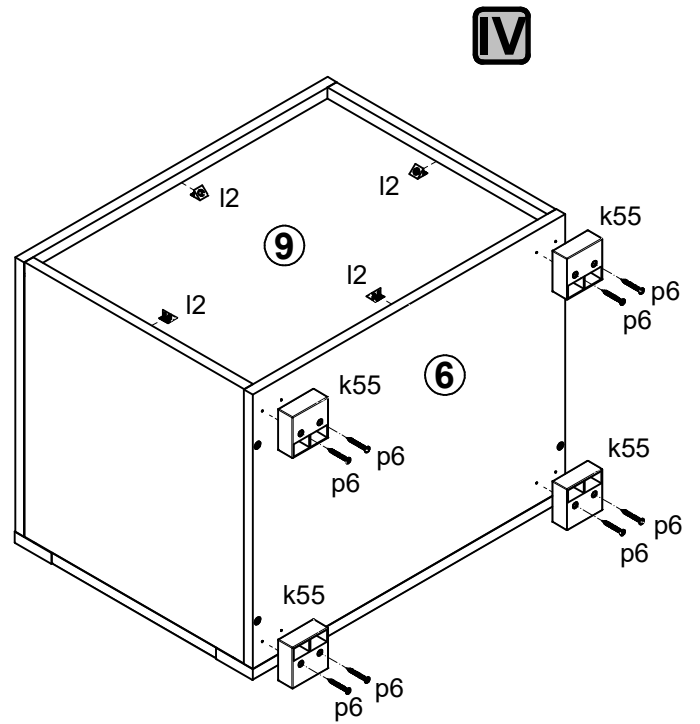
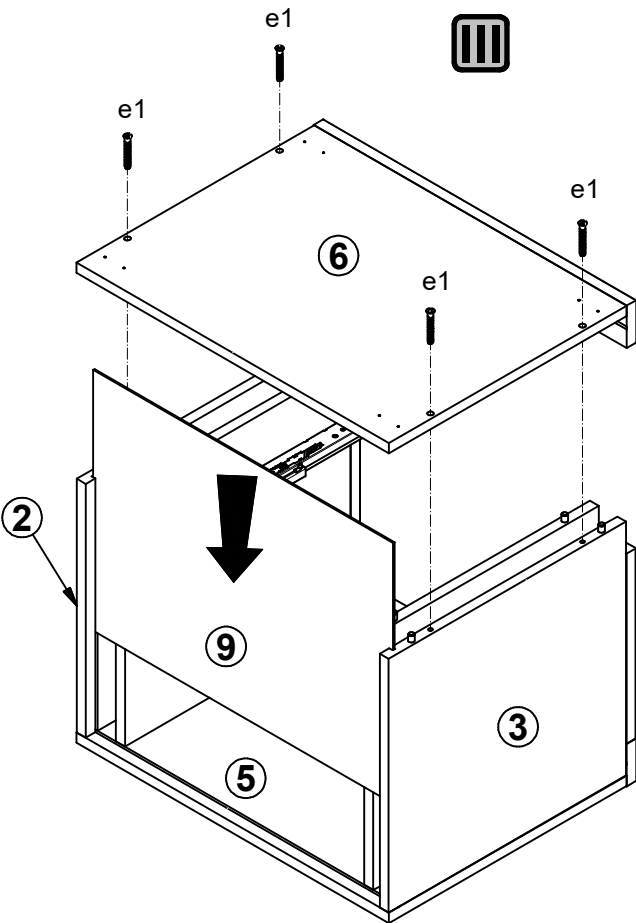
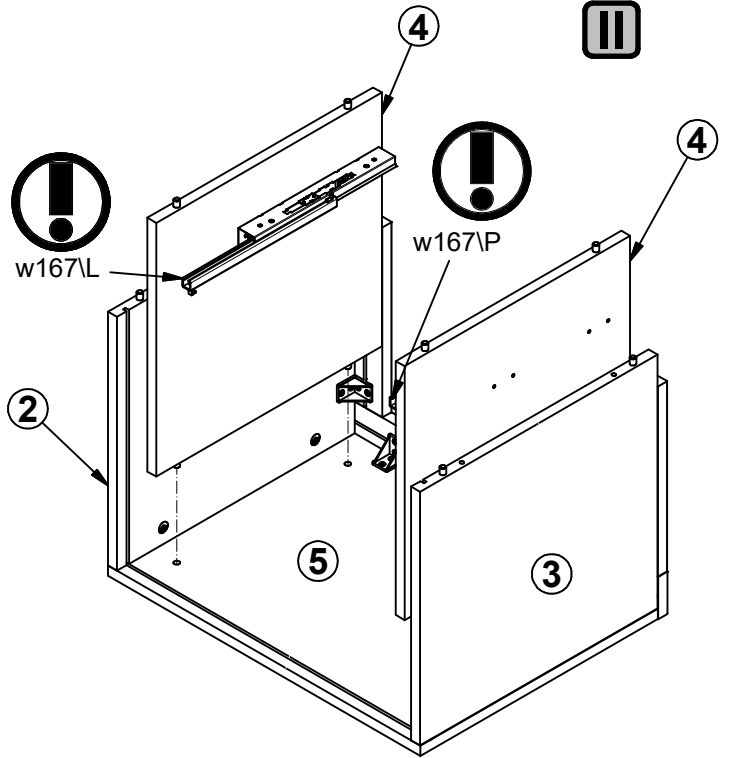
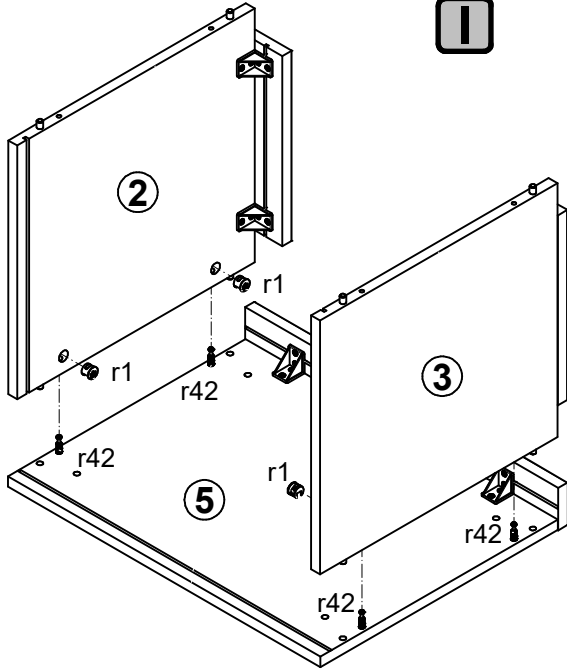
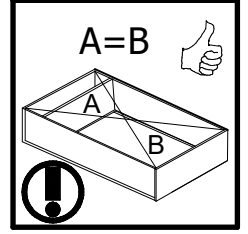
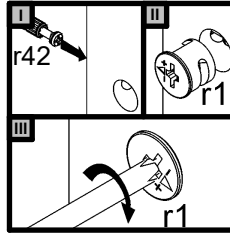
1 



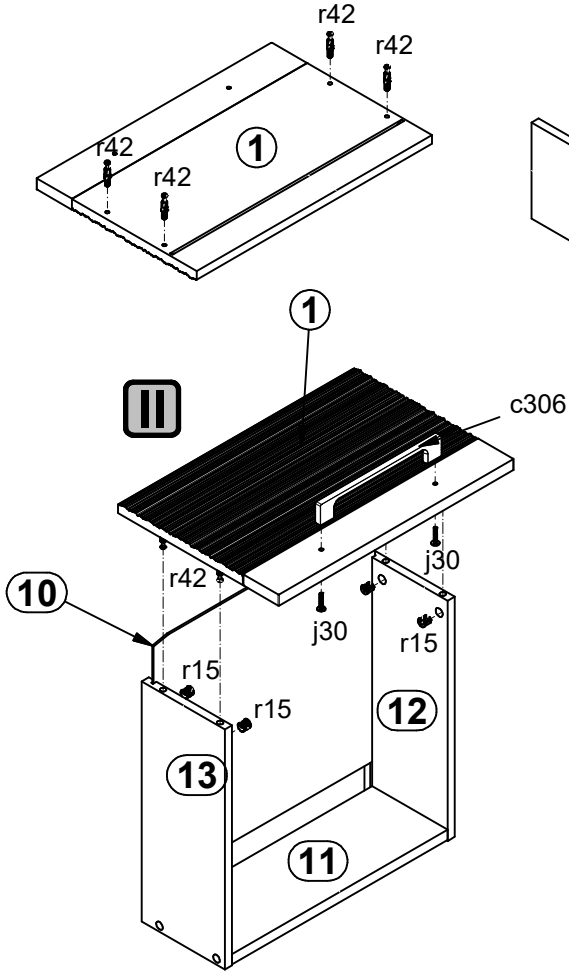
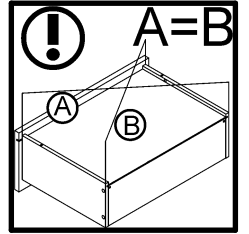
2 



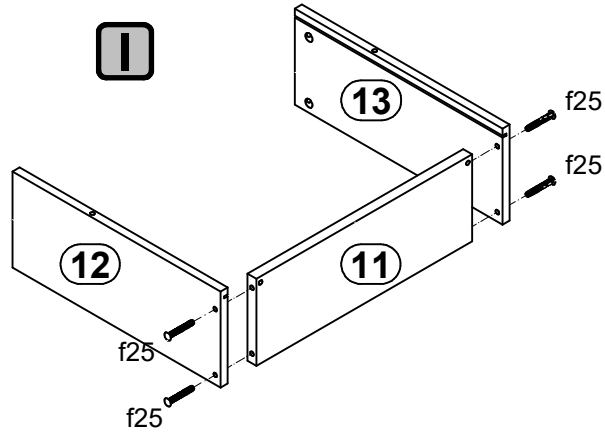
# 3



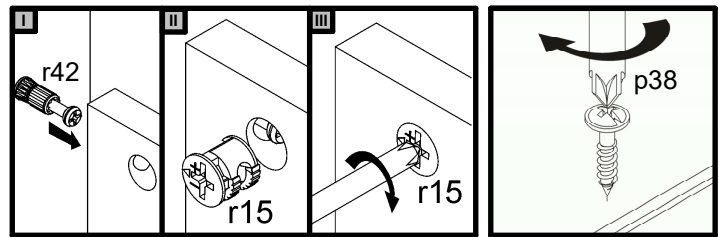
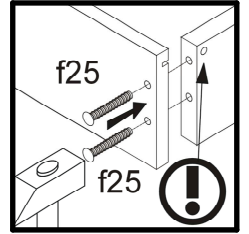
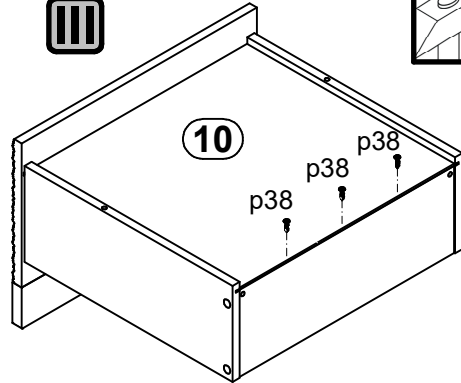
**4** §2 §6



**I**



**III**



**5** §6

