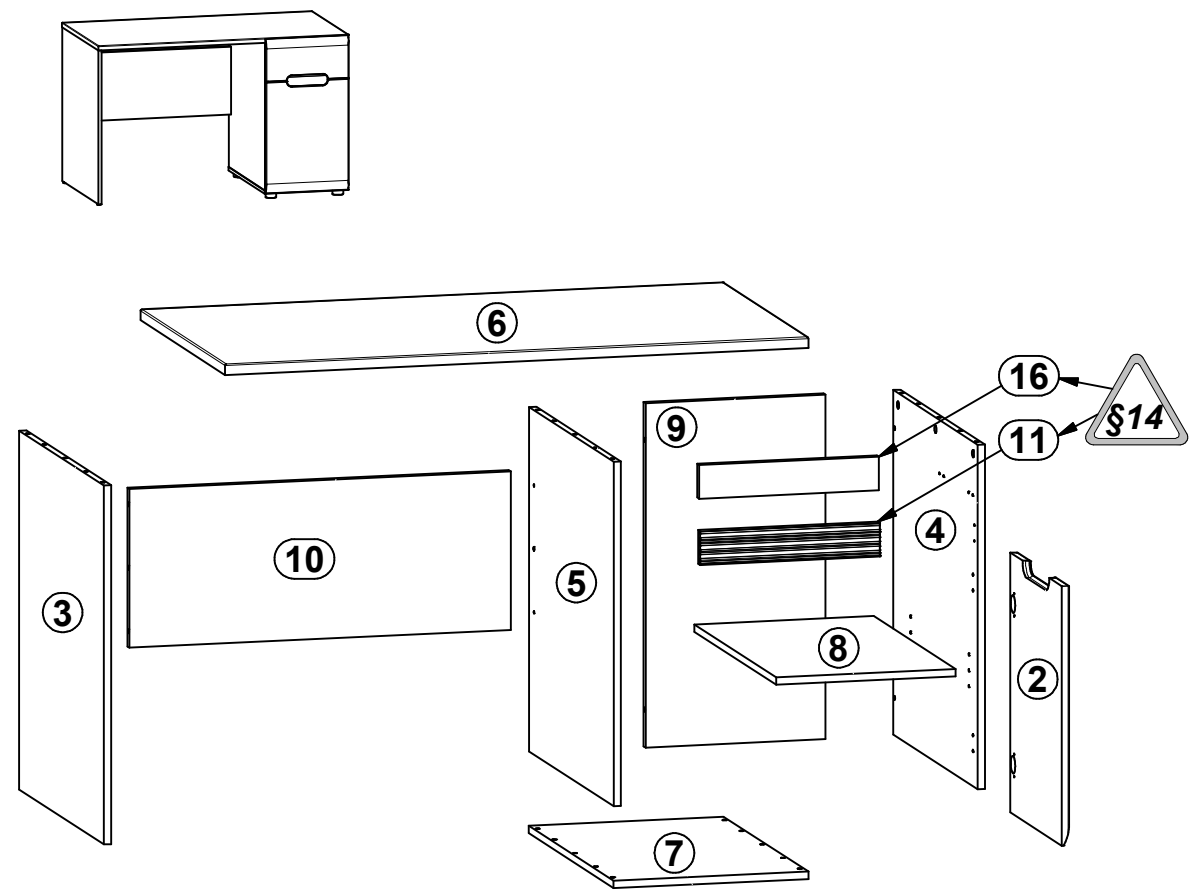
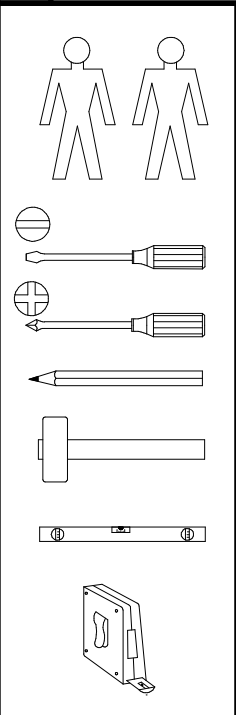
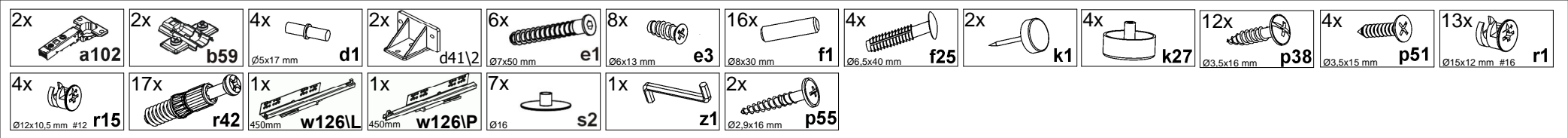
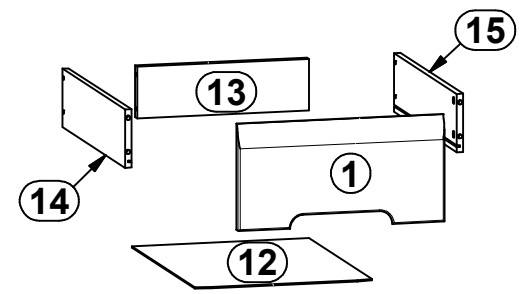


A

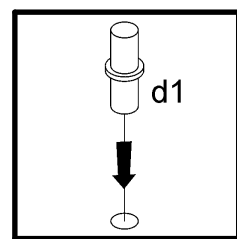
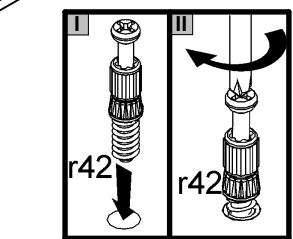
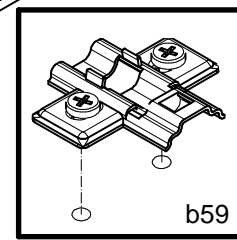
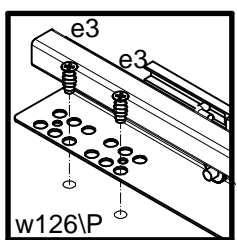
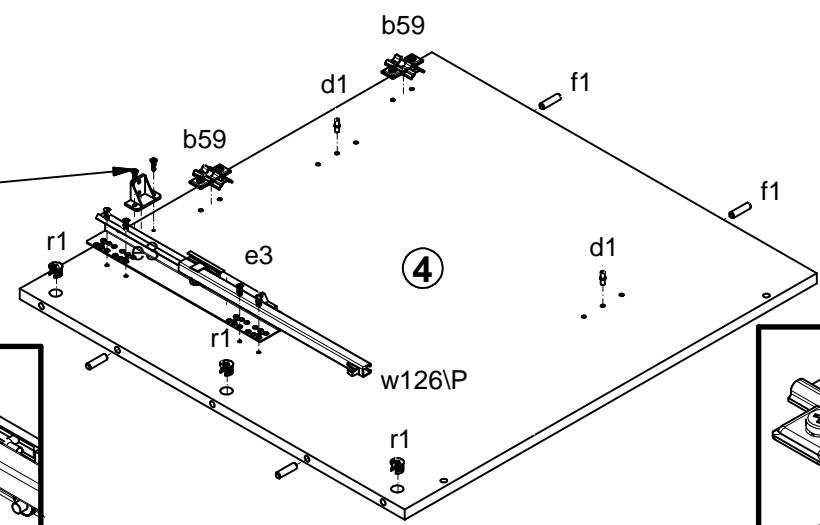
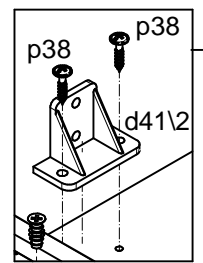
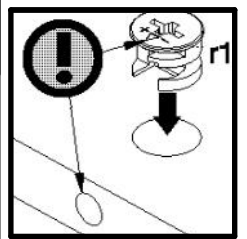
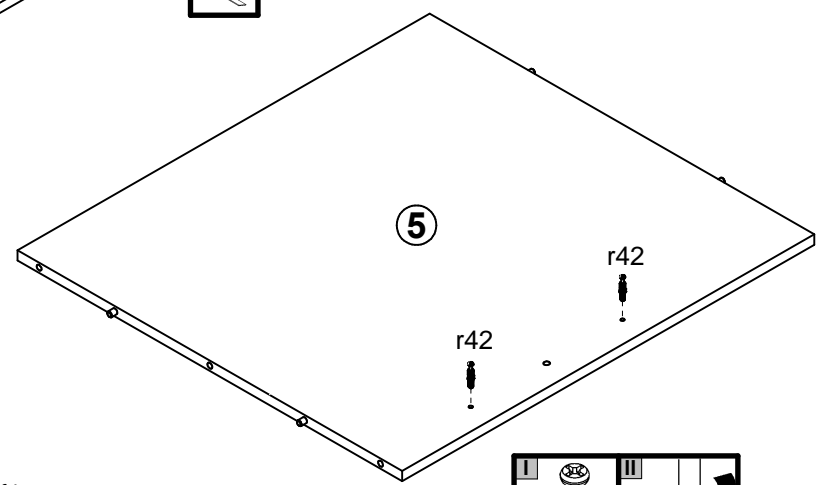
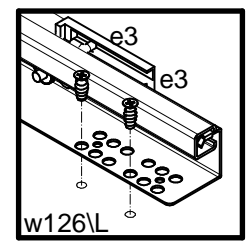
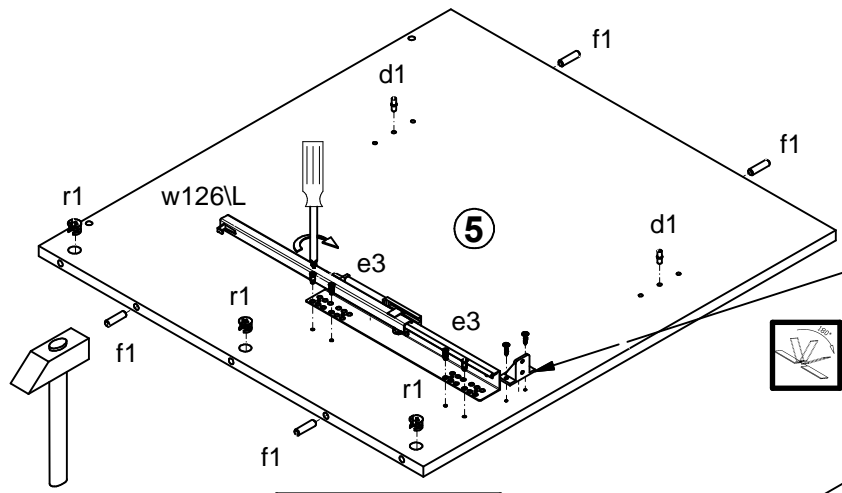
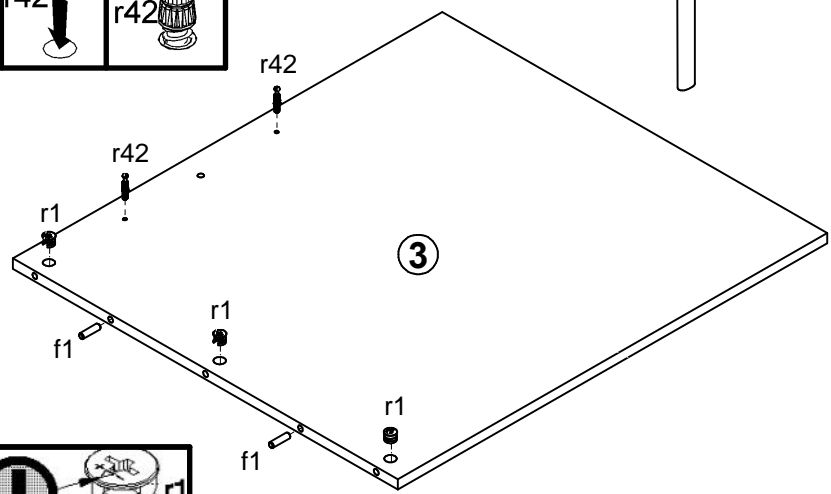
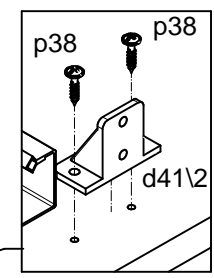
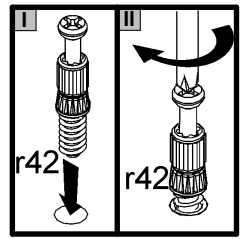
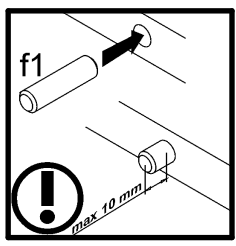
S504-BIU1D1S/8/12



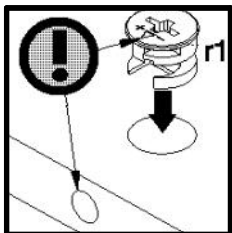
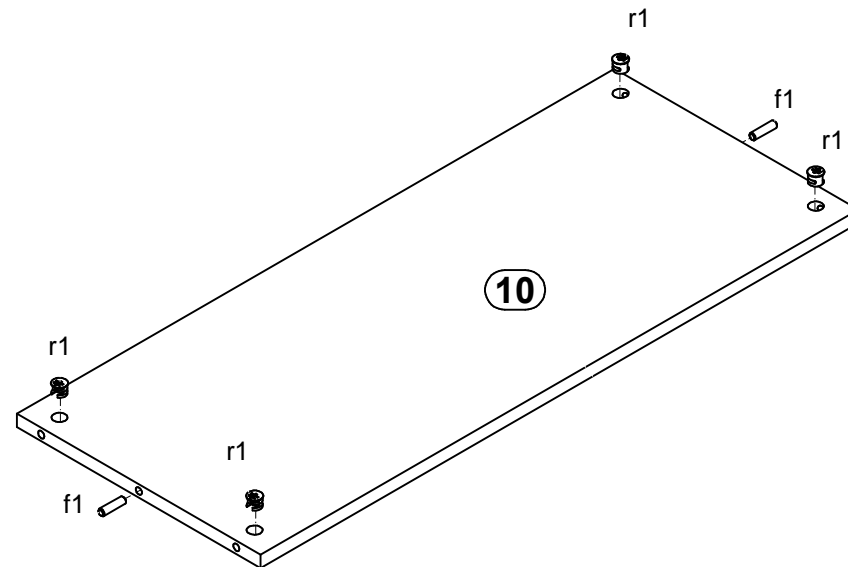
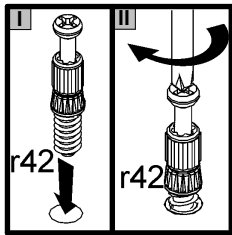
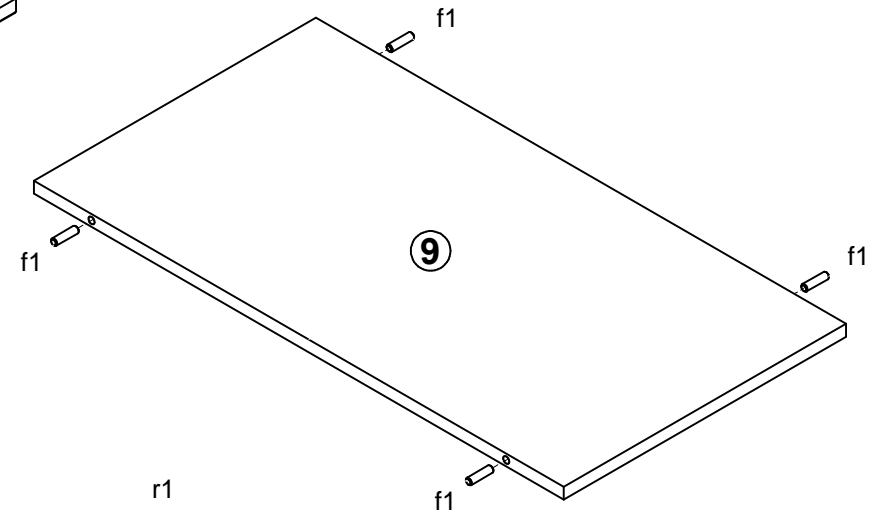
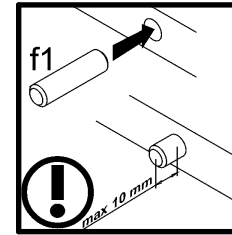
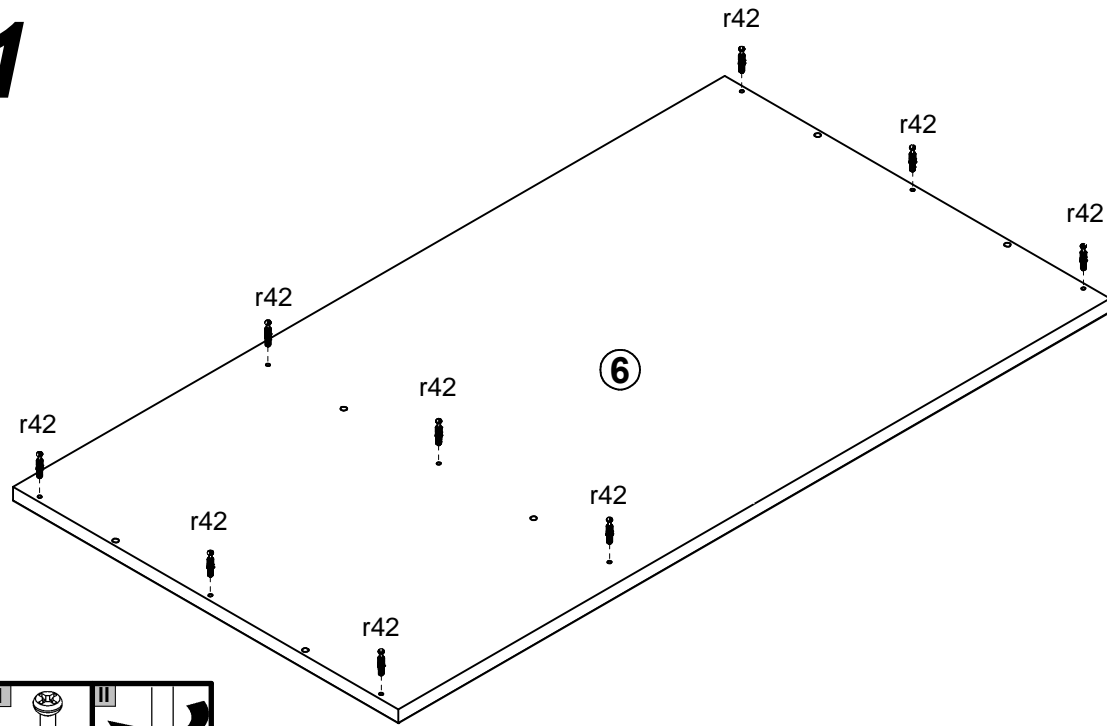
A	B	C1	C2	C3	D
1	S504-0031	200	396	16	3/3
2	S504-0032	524	396	16	3/3
3	S504-1047	724	649	15	1/3
4	S504-1048	695	649	15	1/3
5	S504-1049	695	649	15	1/3
6	S504-2027	1200	650	22	2/3
7	S504-2028	401	650	15	1/3
8	S504-3023	369,	627	15	2/3
9	S504-4307	695	370	15	2/3
10	S504-4308	784	320	15	2/3
11	S504-5710	370	68	16	3/3
12	WSP-9258	340	458	2,5	1/3
13	ZQ6-5045	330	97	15	1/3
14	ZQ6-537	450	110	12	1/3
15	ZQ6-538	450	110	12	1/3
16	S504-4032	370	68	15	3/3



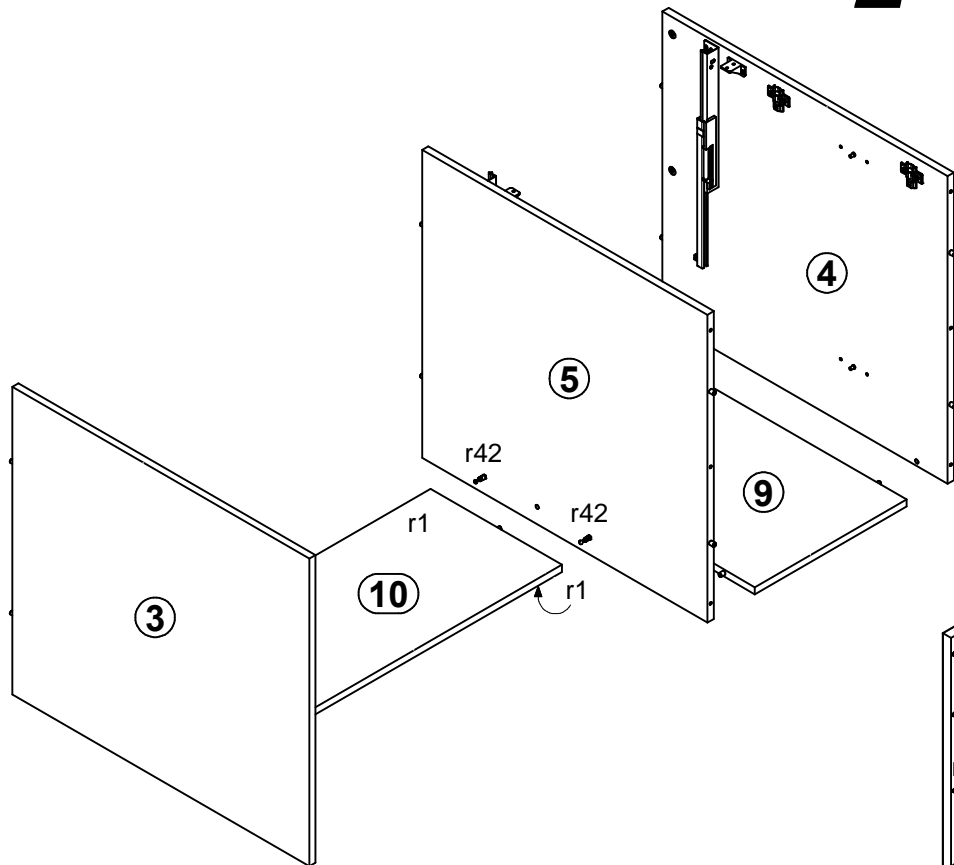
1



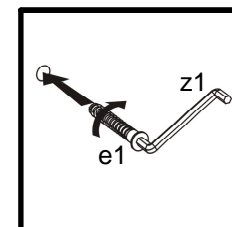
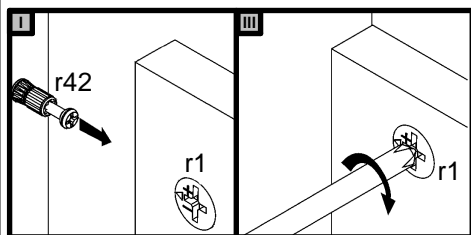
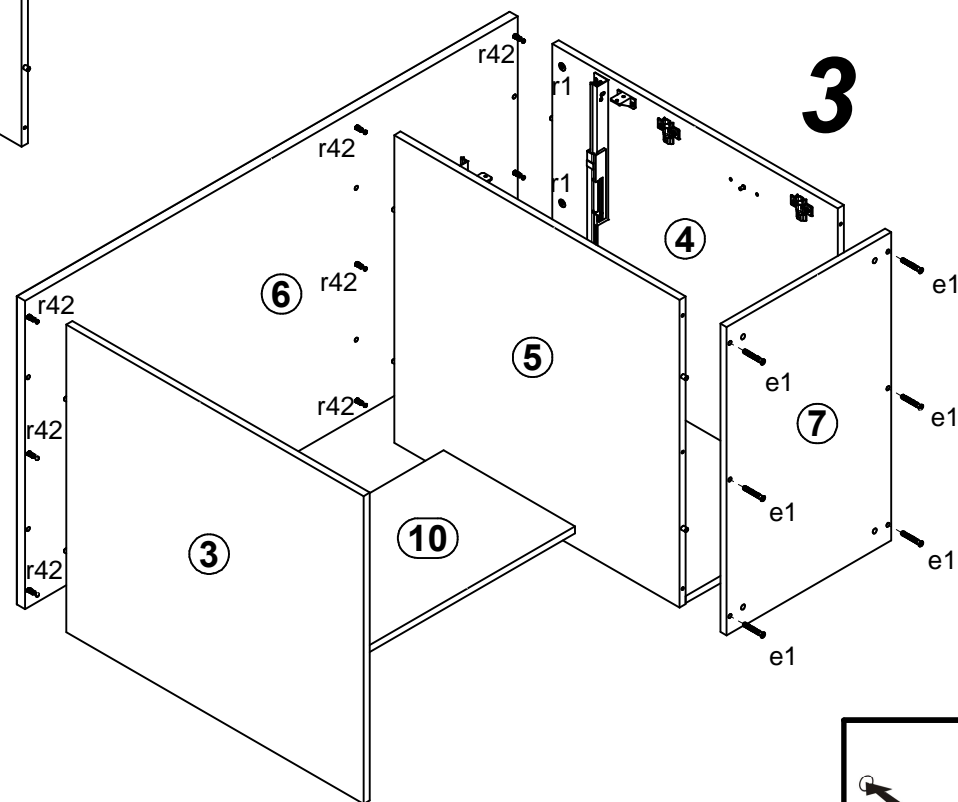
1



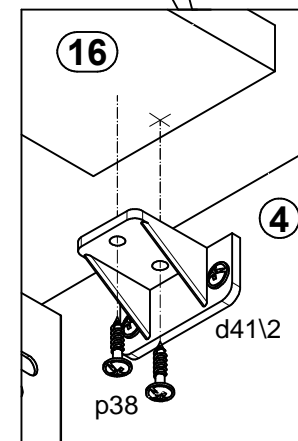
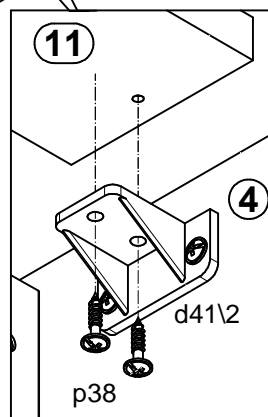
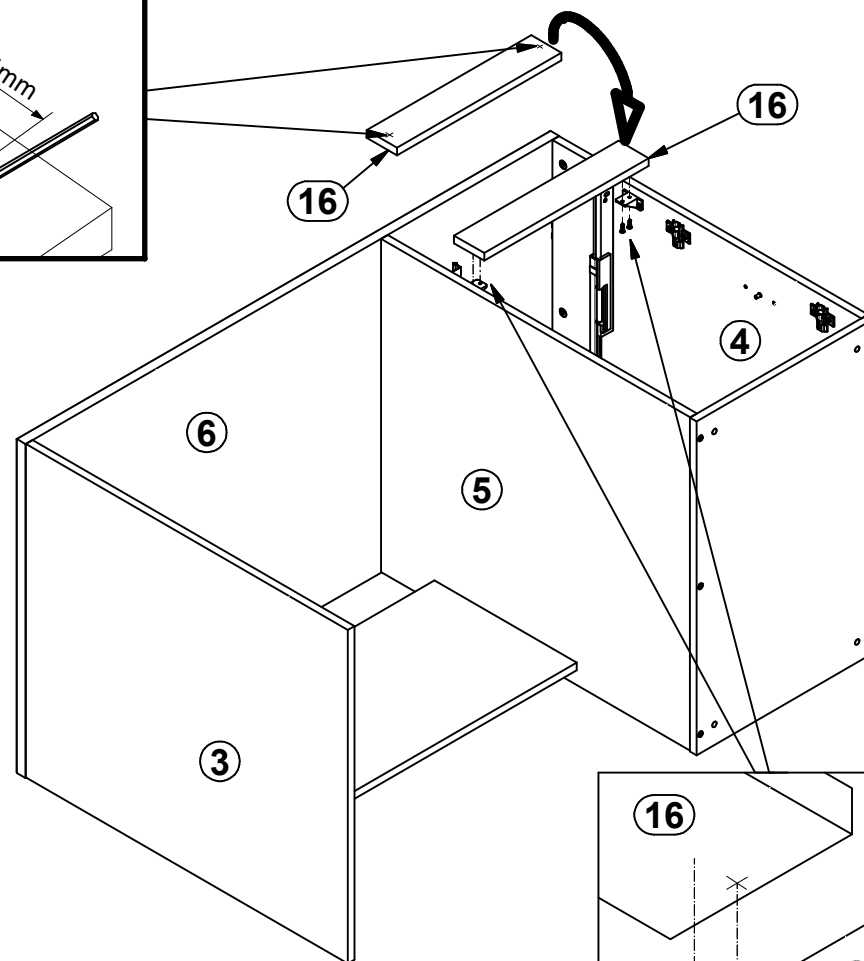
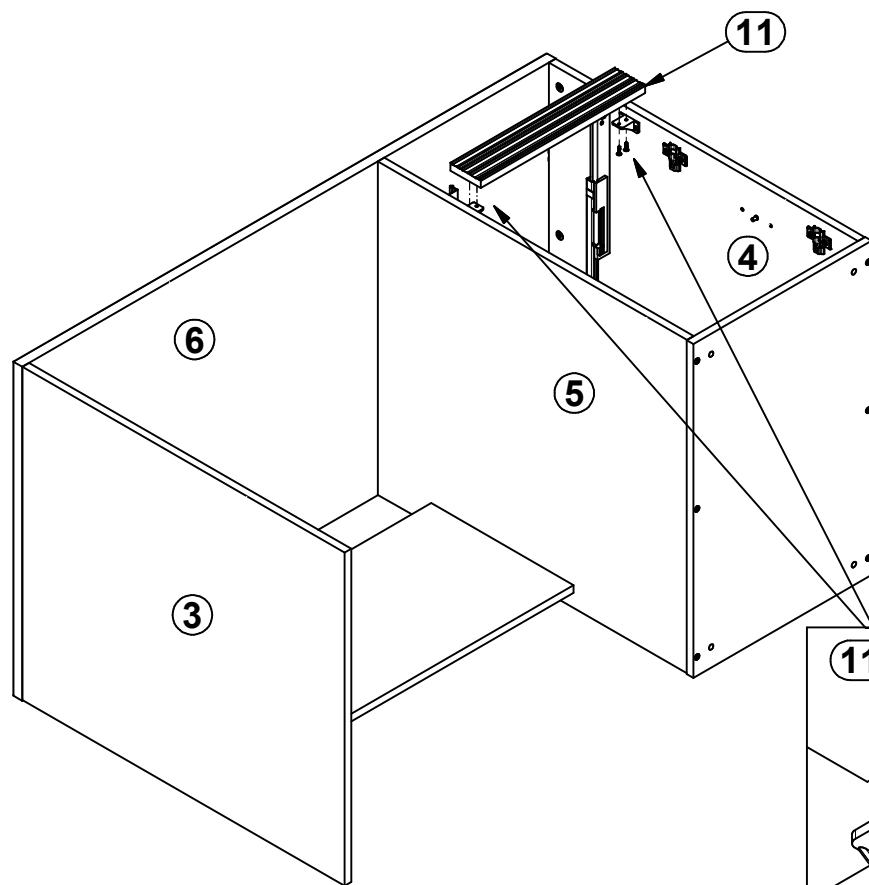
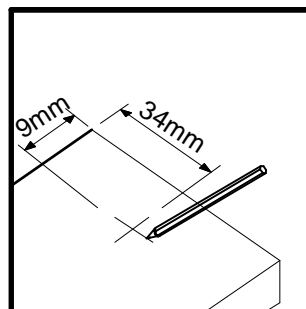
2



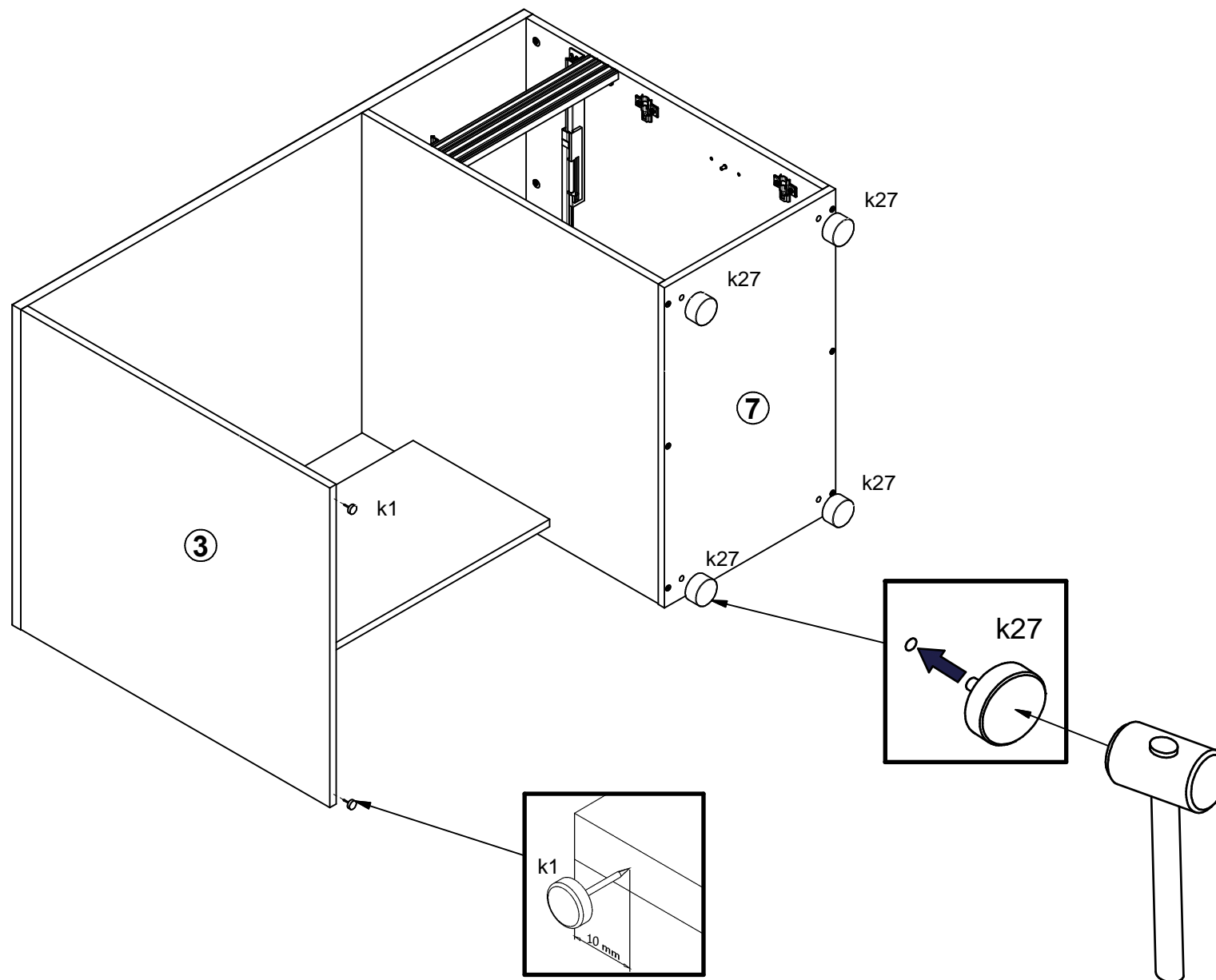
3



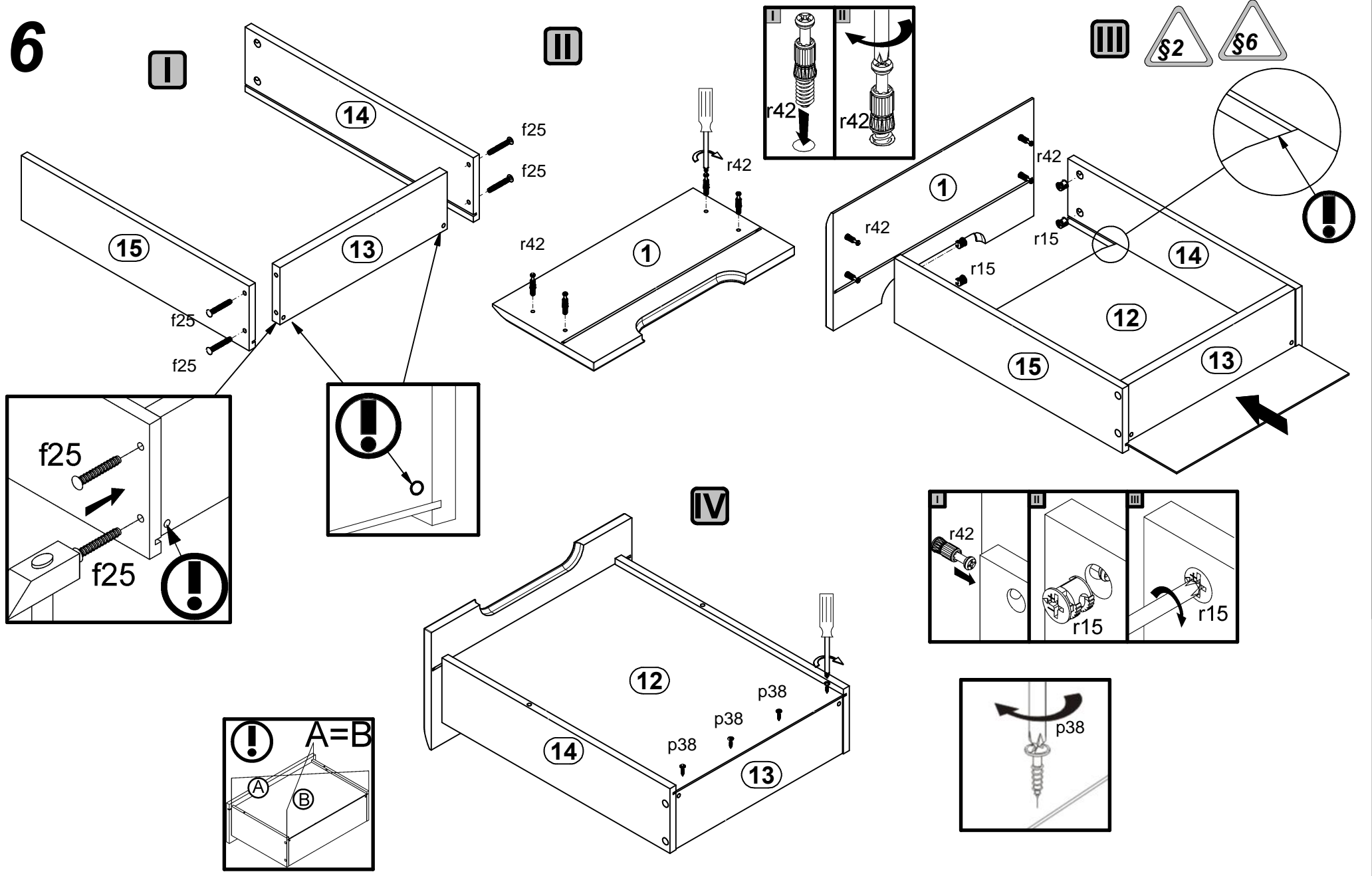
4 



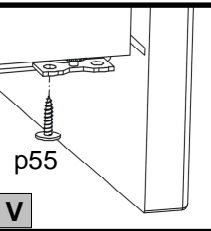
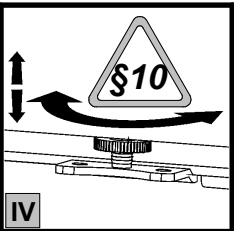
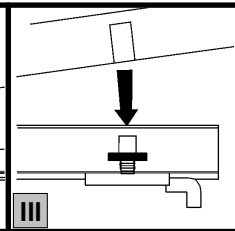
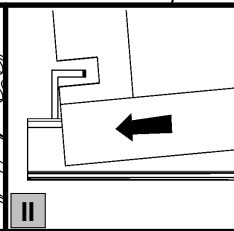
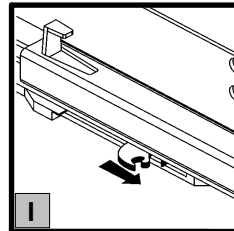
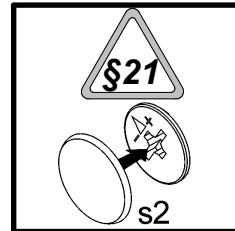
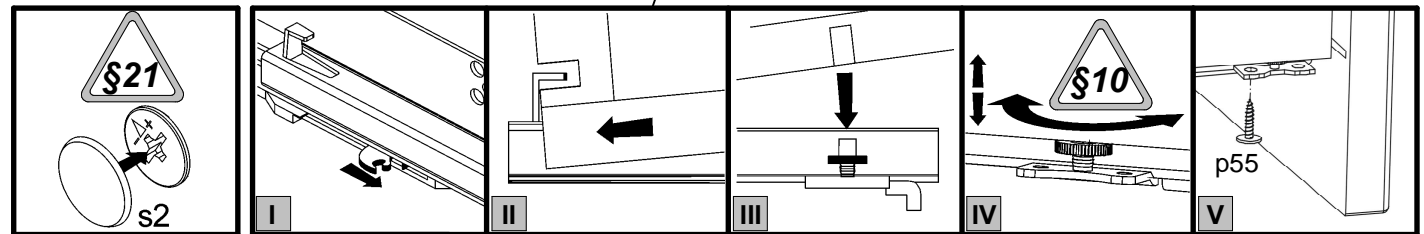
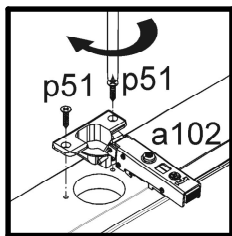
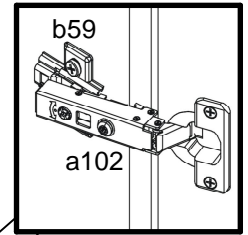
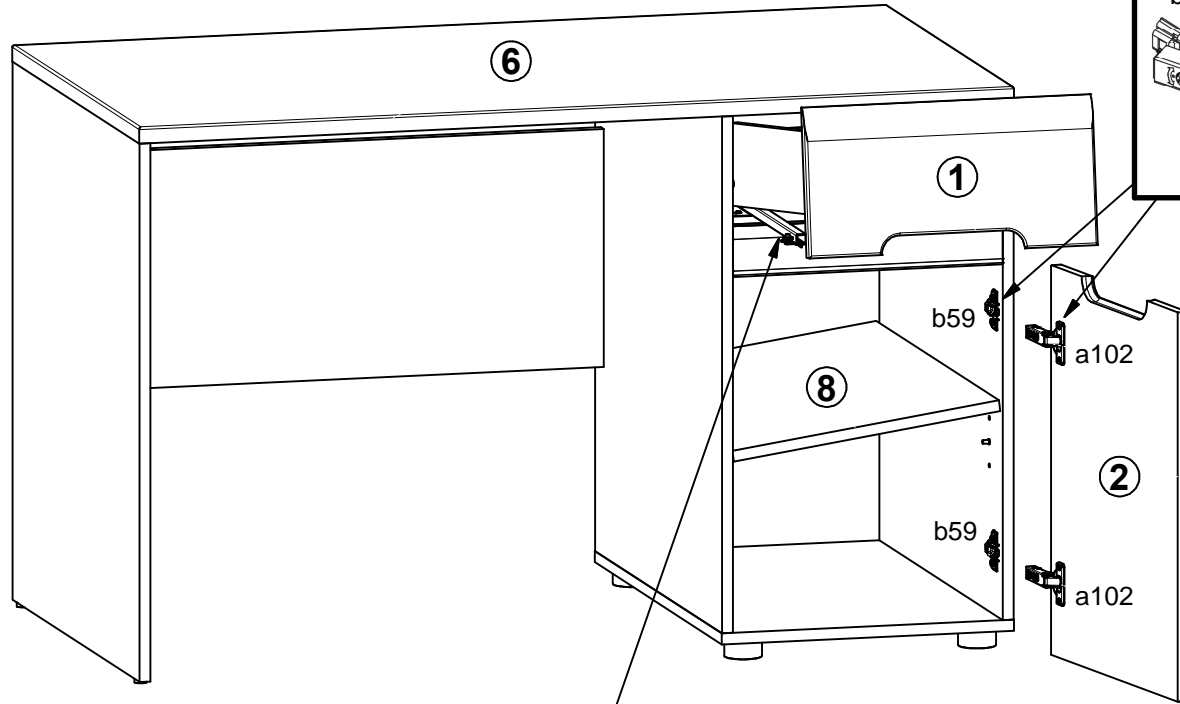
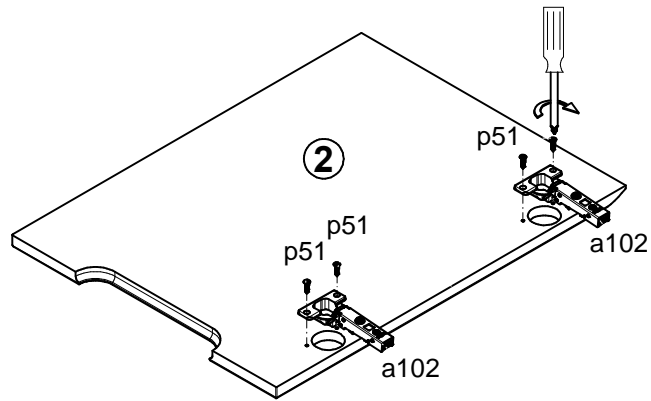
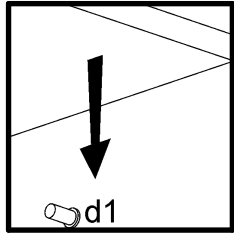
5



6



7



8

