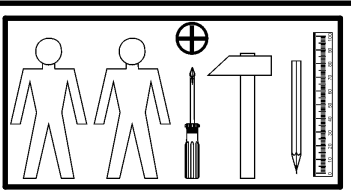
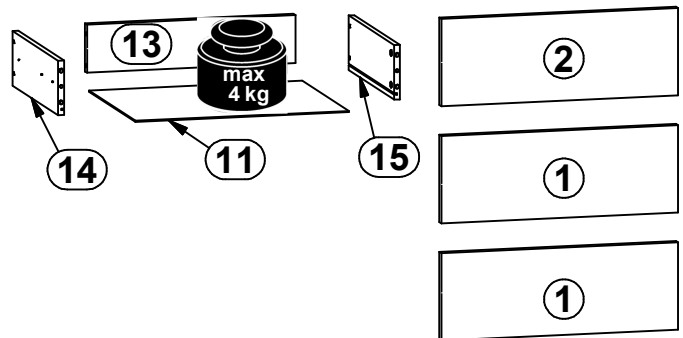
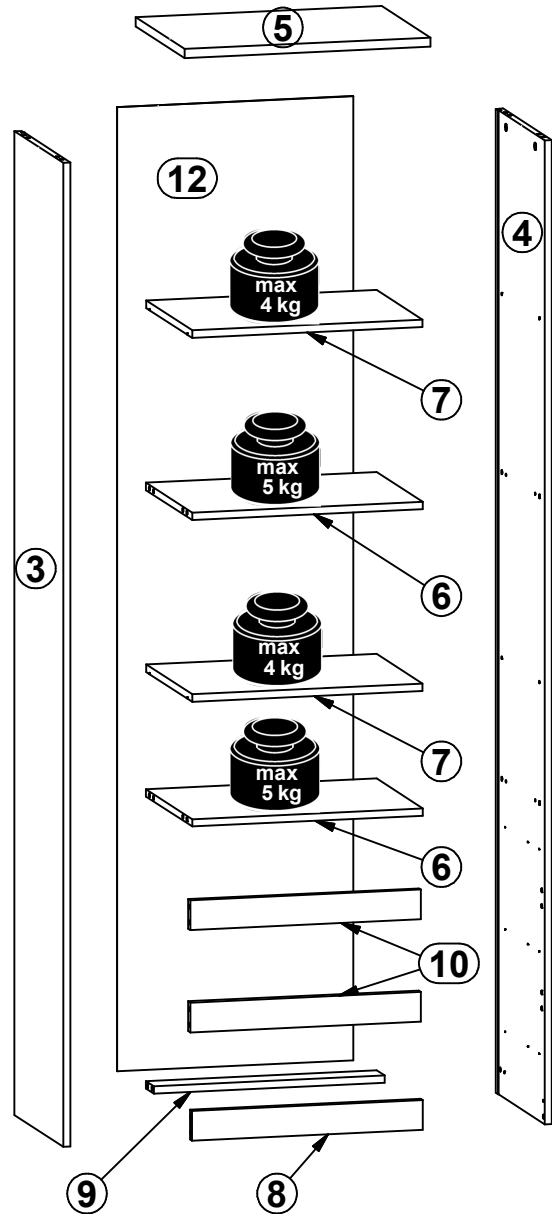
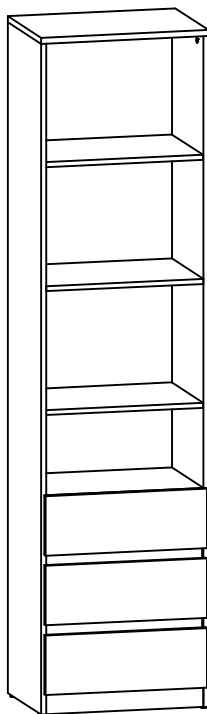
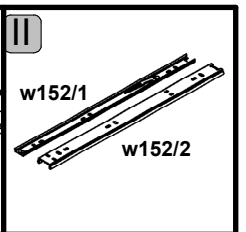
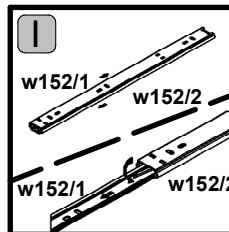
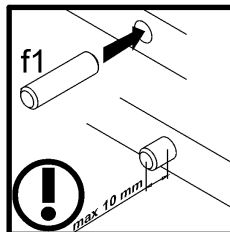
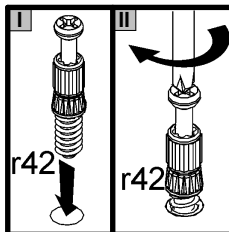
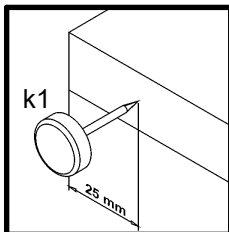
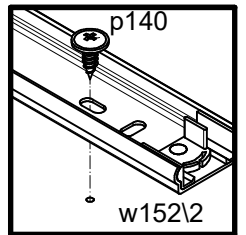
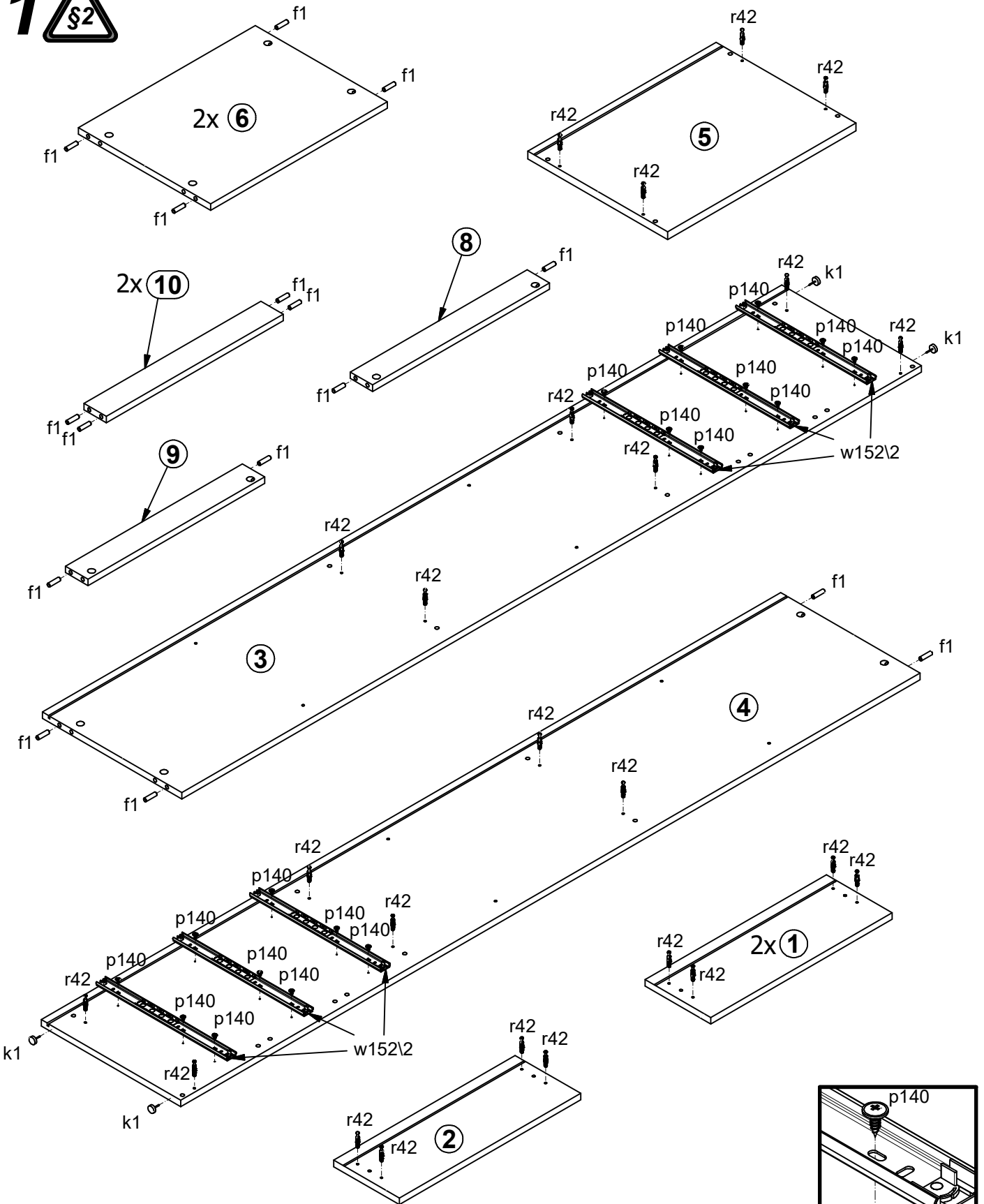


A	B	C	D	
1	S441-0001	486	176	3/3
2	S441-0007	486	176	3/3
3	S441-1001	1982	374	2/3
4	S441-1002	1982	374	2/3
5	S441-2001	505	375	1/3
6	S441-3001	474	354	1/3
7	S441-3002	473	352	1/3
8	S441-4001	474	60	1/3
9	S441-4002	474	60	1/3
10	S441-4003	474	60	1/3
11	S441-9001	438	357	1/3
12	S441-9004	1942	485	2/3
13	ZK3-5013	428	97	2/3
14	ZK3-519	350	110	2/3
15	ZK3-520	350	110	2/3

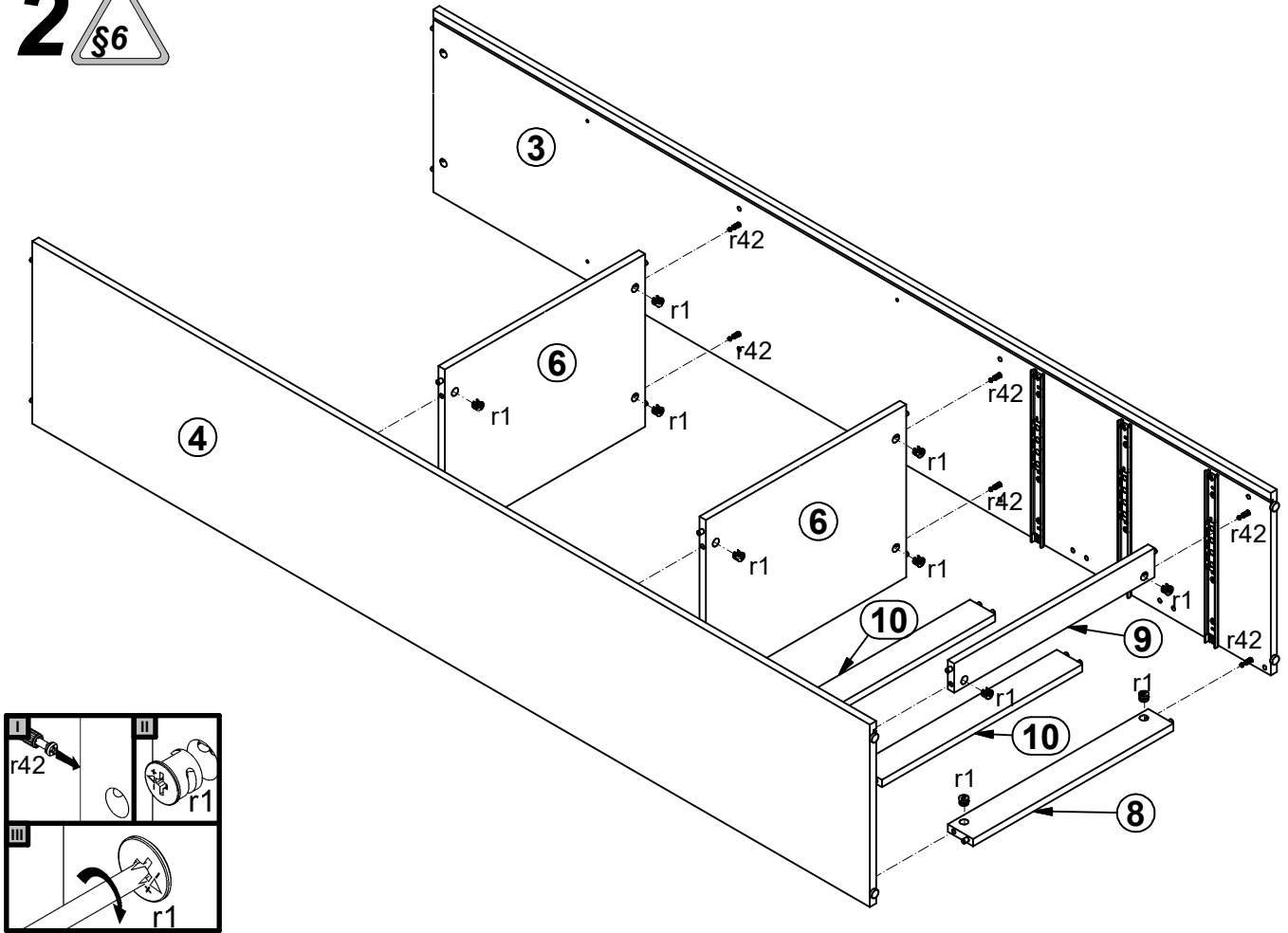


8x Ø5x17 mm d1	24x Ø8x30 mm f1	12x Ø6.5x40 mm f25	6x Ø6x30 mm f9	4x k1	15x 1.4x20 mm l1	11x l2	36x Ø3.5x12 mm p140	9x Ø3.5x16 mm p38
16x Ø15x12 mm #16 r1	12x Ø12x10.5 mm #12 r15	28x 20/11 r42	6x 350/580 mm w152/1	6x 350/580 mm w152/2	8x Ø 20mm s68			
						1x n26	1x Ø3.5x16 mm p38	

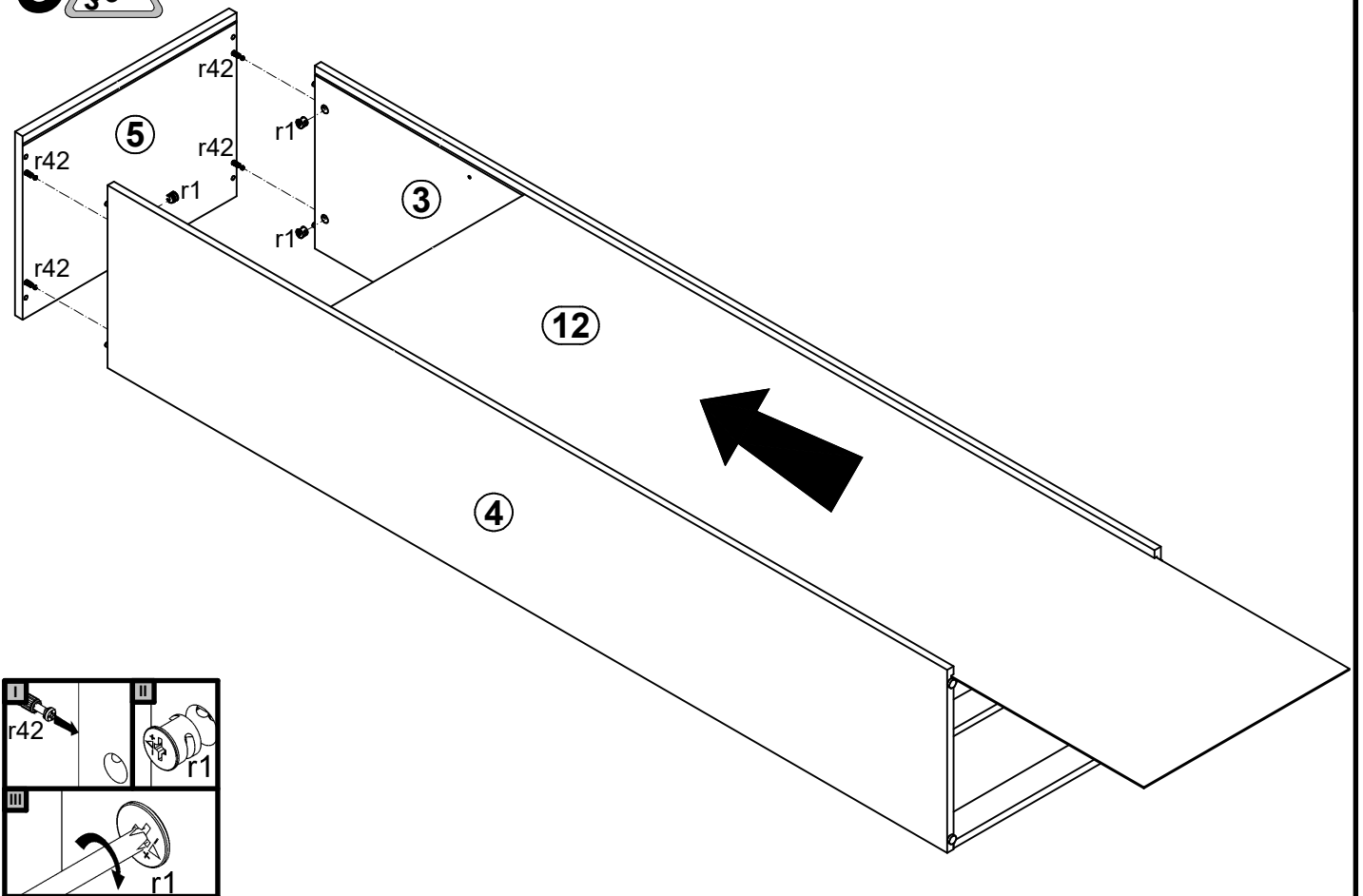
1 



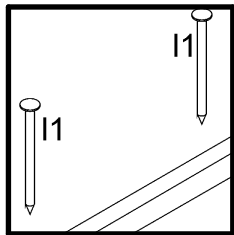
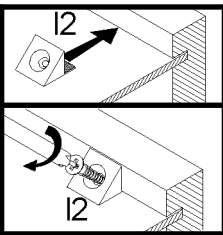
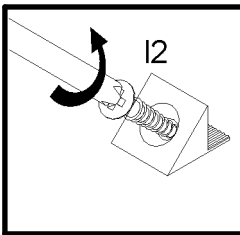
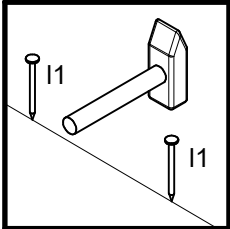
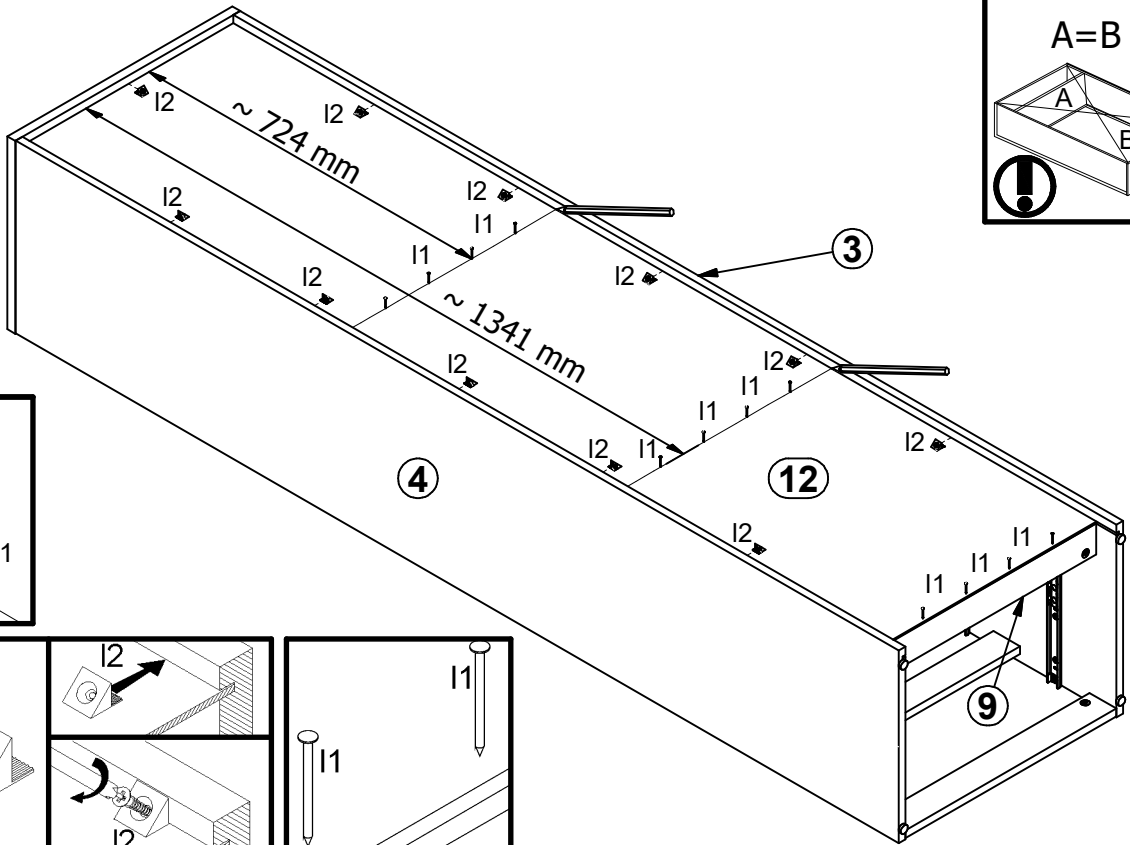
2



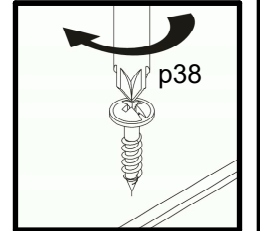
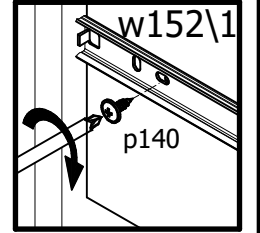
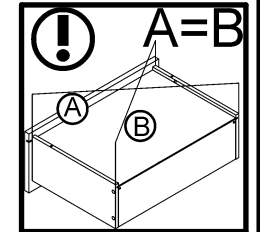
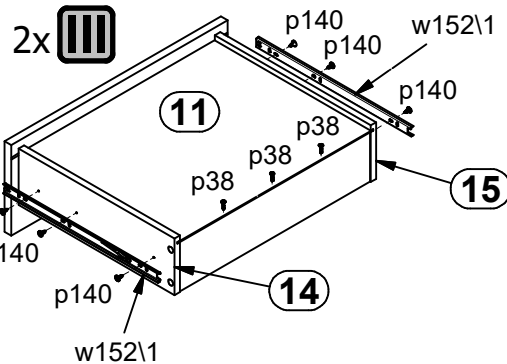
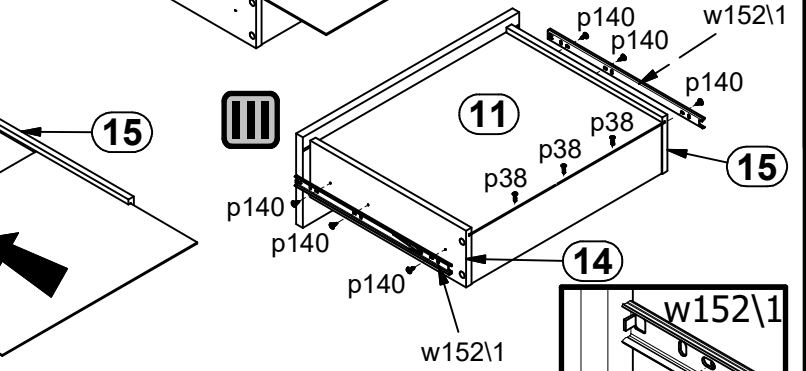
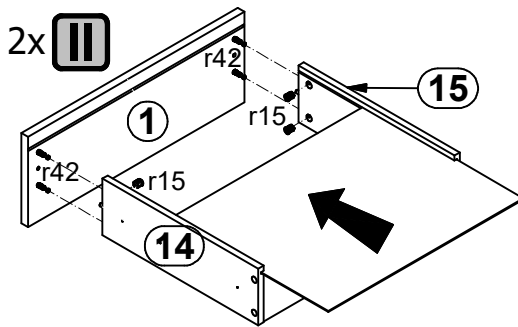
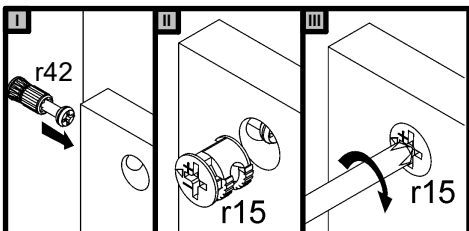
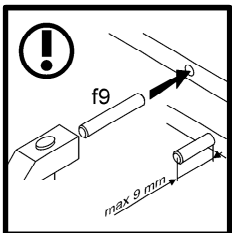
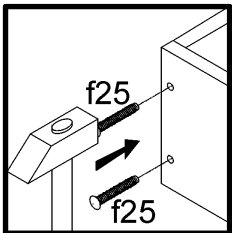
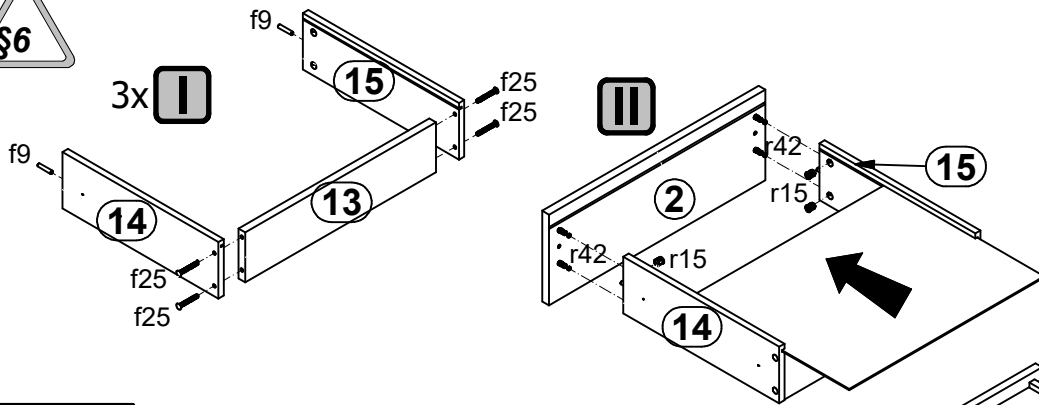
3



4  §6

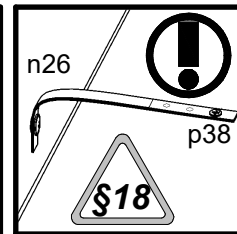
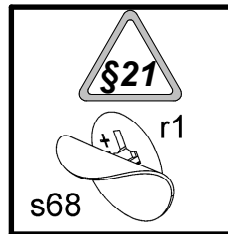
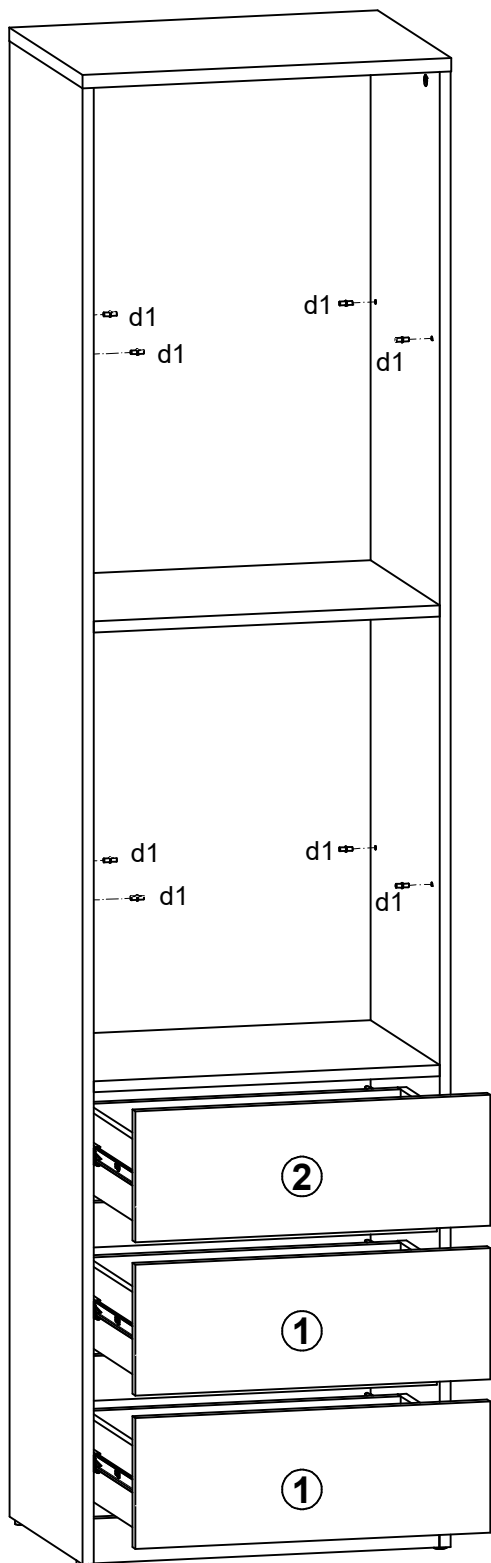


5  §6



6 §6

I



II

