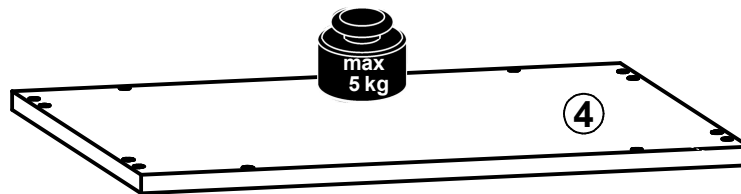
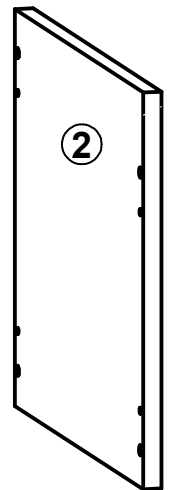
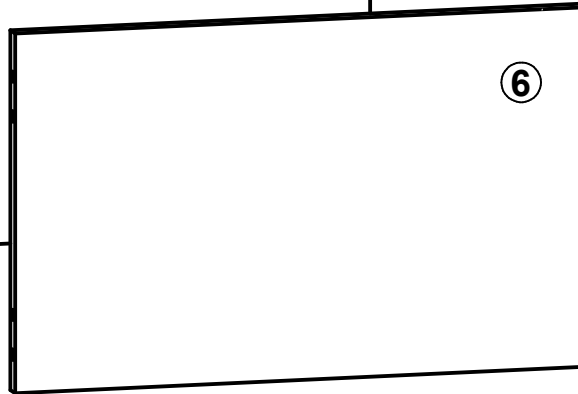
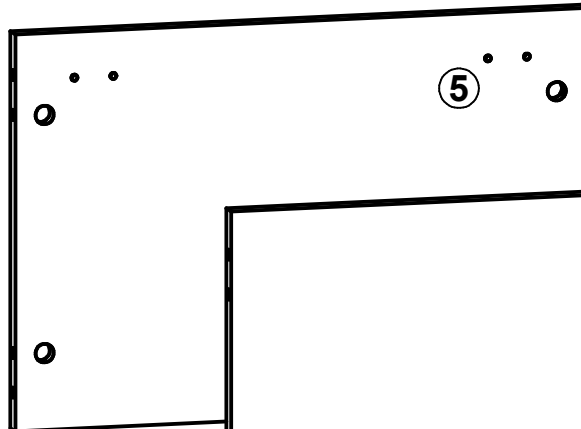
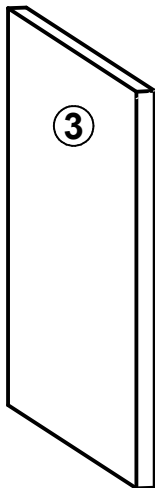
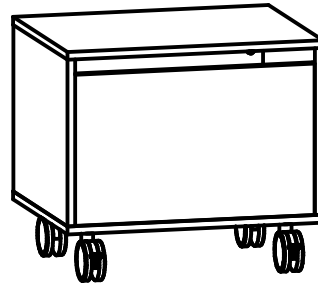
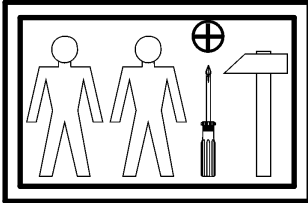
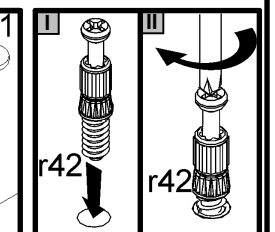
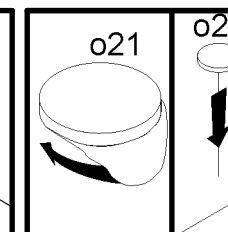
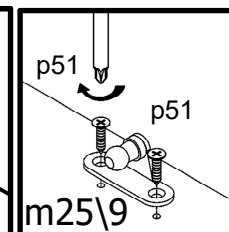
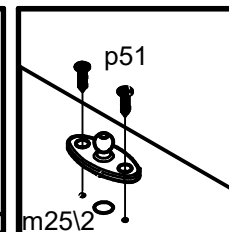
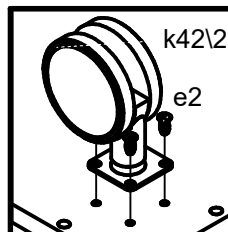
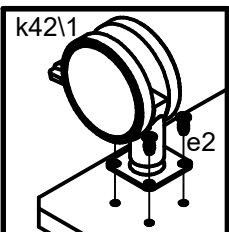
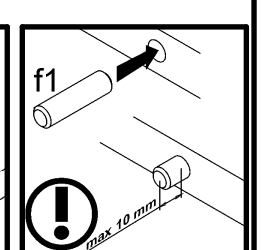
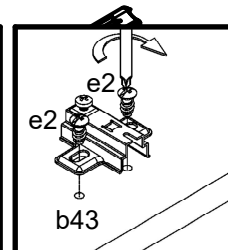
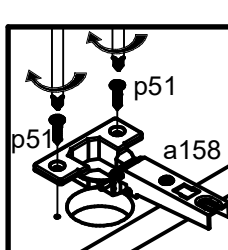
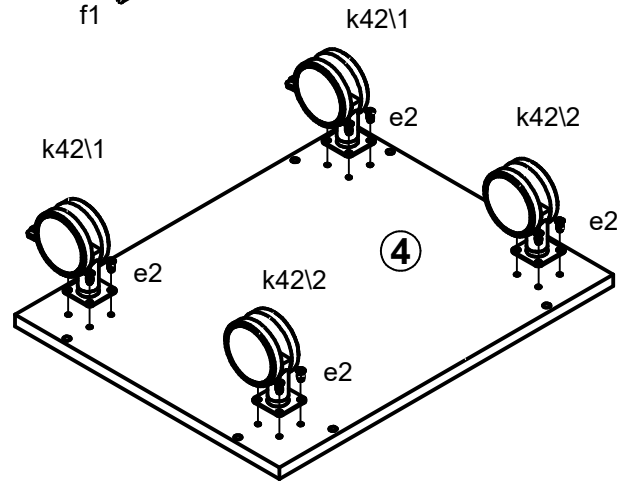
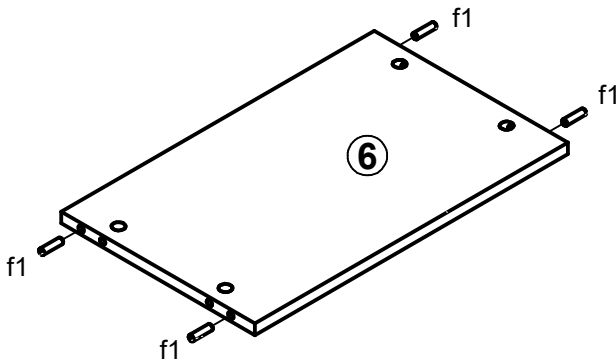
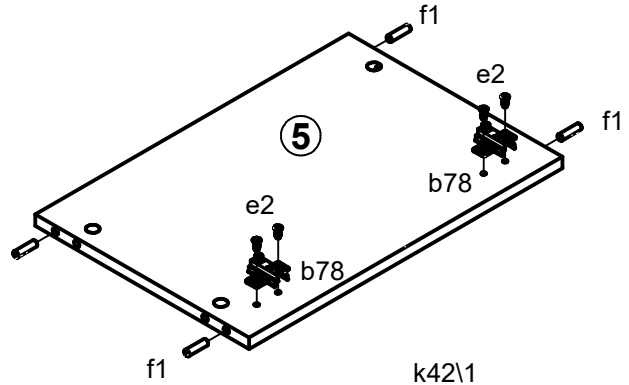
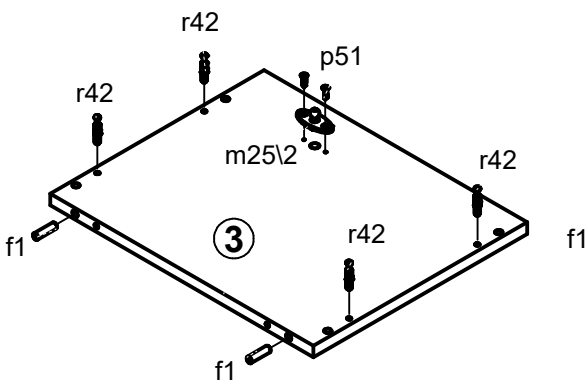
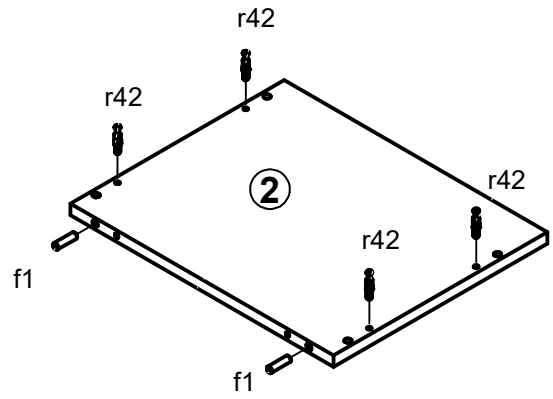
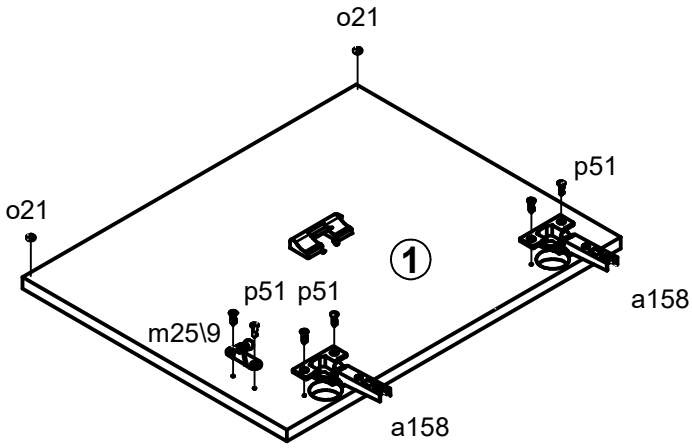


| A | B | C | D |
|---|-----------|-----|-----|
| 1 | S441-0010 | 500 | 396 |
| 2 | S441-1017 | 320 | 394 |
| 3 | S441-1018 | 320 | 394 |
| 4 | S441-2006 | 500 | 396 |
| 5 | S441-5008 | 469 | 320 |
| 6 | S441-5009 | 469 | 290 |

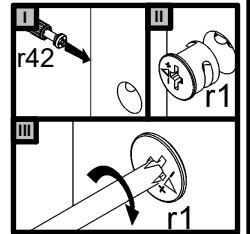
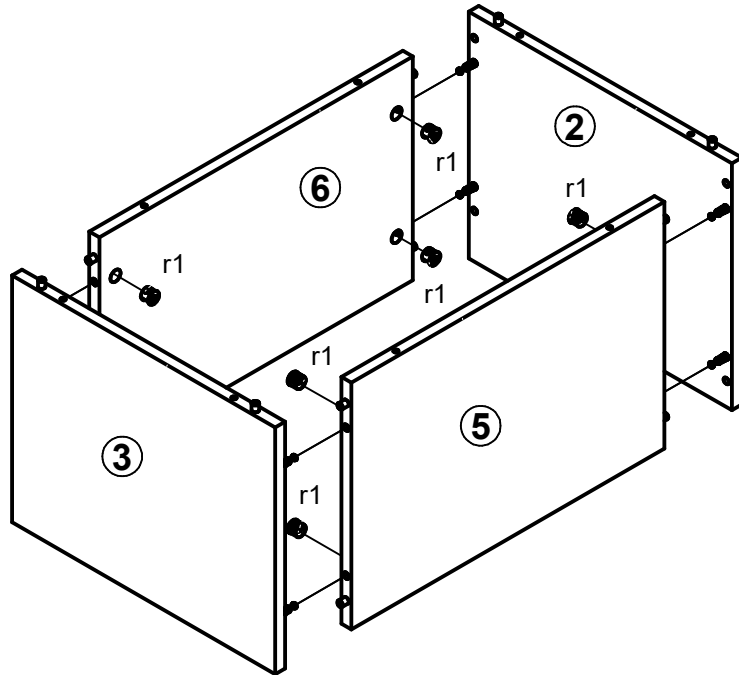


| | | | | | | | | |
|----------------------|-----------------|-----------------------|--------------------------|----------------------------|------------------------|--------------------------|--------------------------|-----------------|
| 1x a133 | 2x a158 | 2x b78 | 8x Ø7x50 mm e1 | 20x Ø6.3x13 mm e2 | 12x Ø8x30 mm f1 | 2x Ø75.5 mm k42/1 | 2x Ø75.5 mm k42/2 | 1x m25/2 |
| 1x 50 N m25/7 | 1x m25/9 | 2x silikon o21 | 8x Ø3.5x15 mm p51 | 8x Ø15x12 mm #16 r1 | 8x 20/11 r42 | 8x Ø 20mm s68 | 1x 4 mm z1 | |

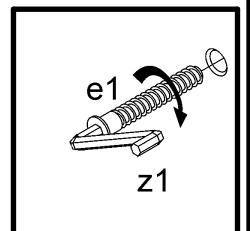
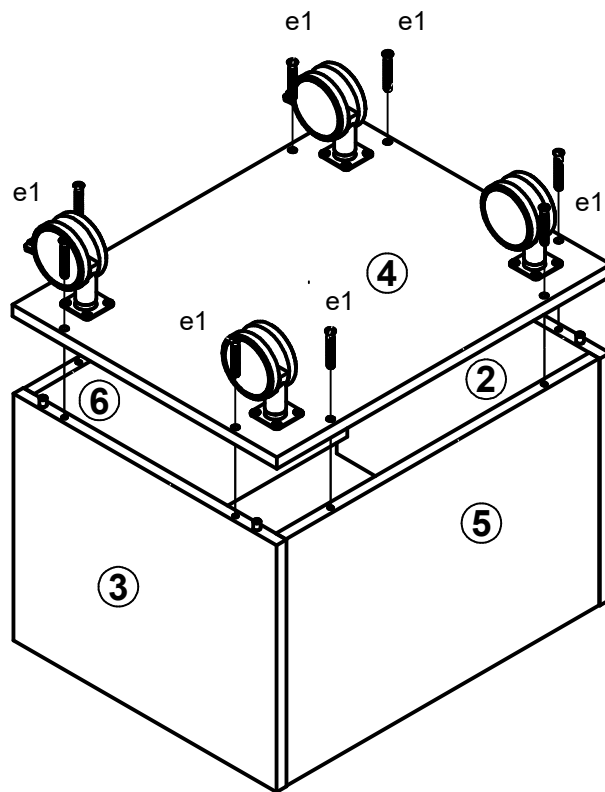
1



2



3



4

