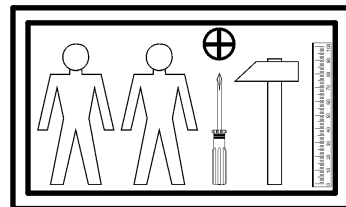
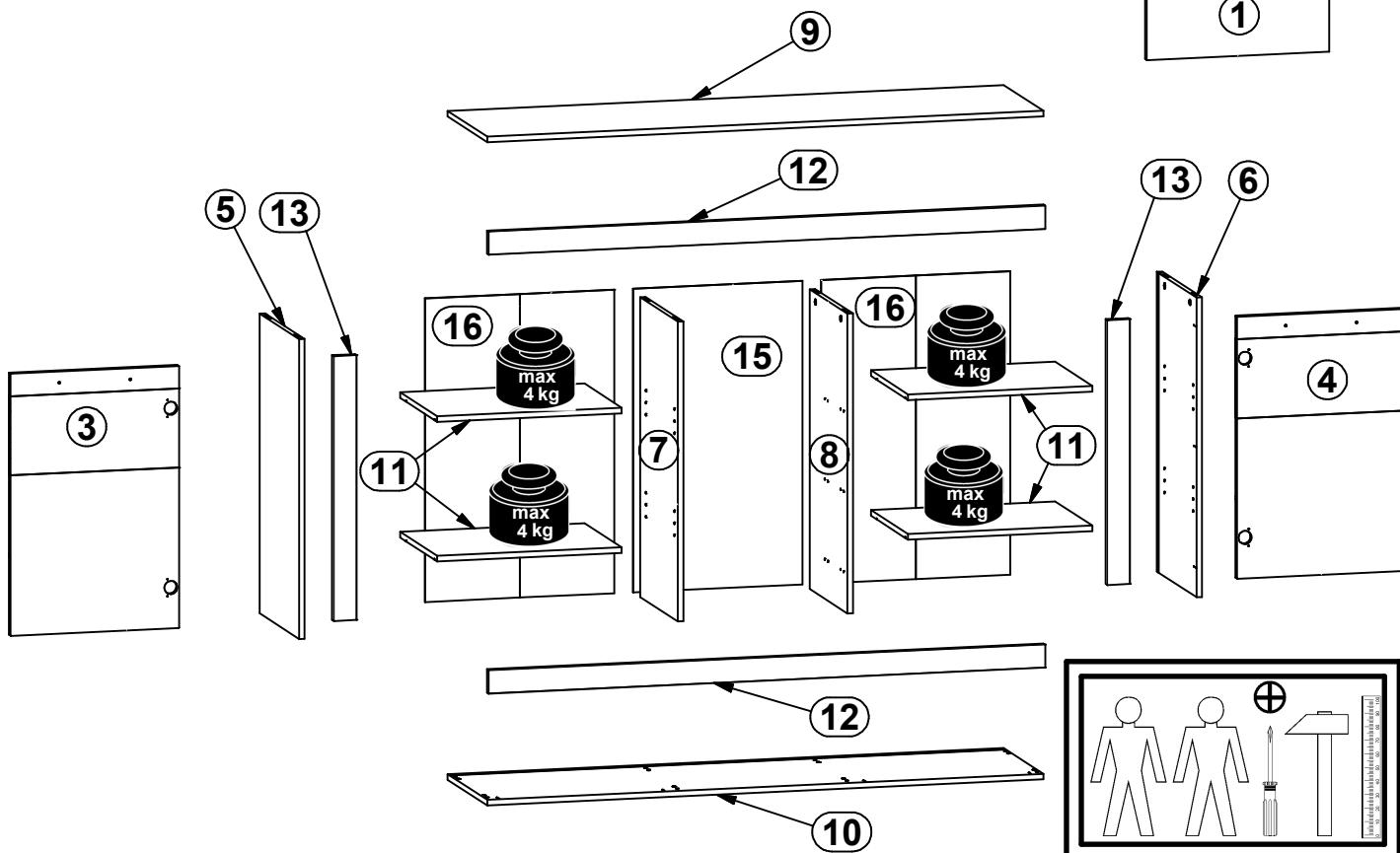
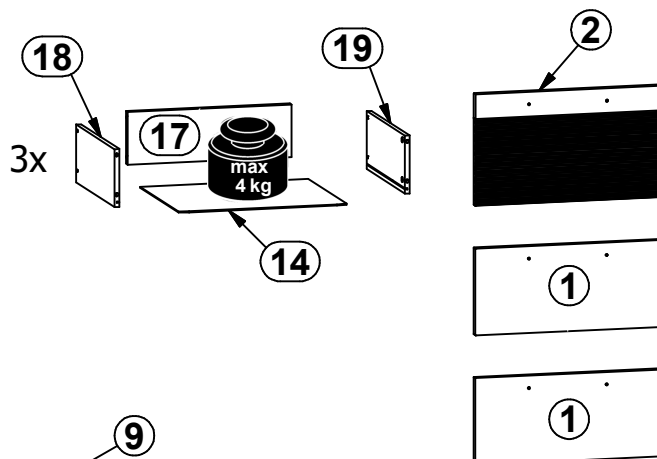
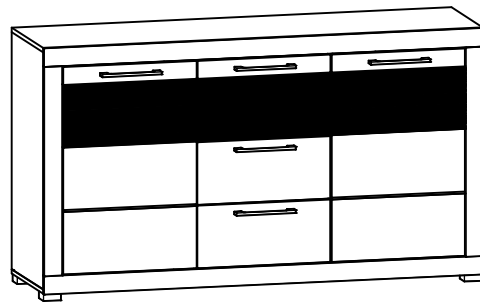
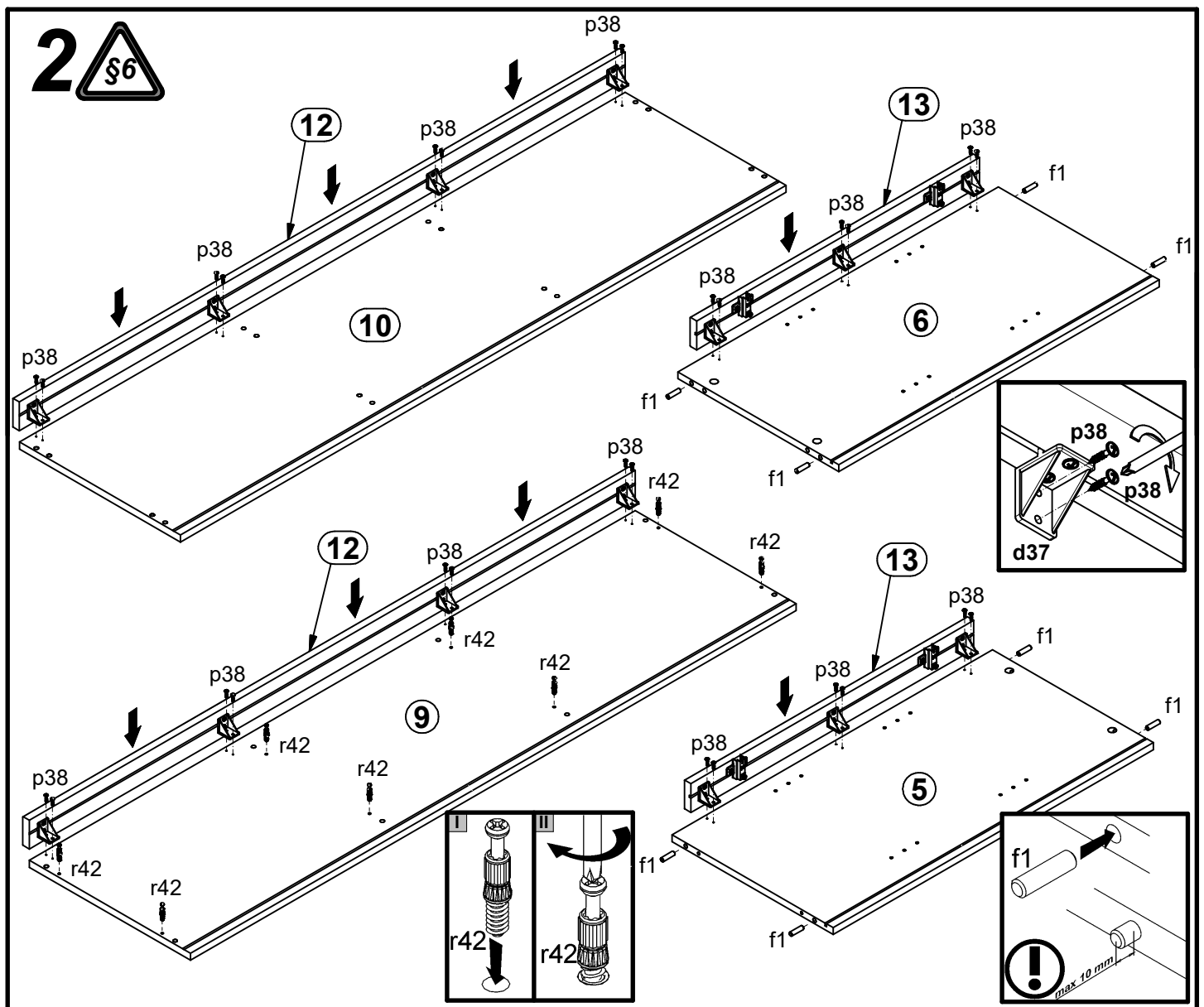
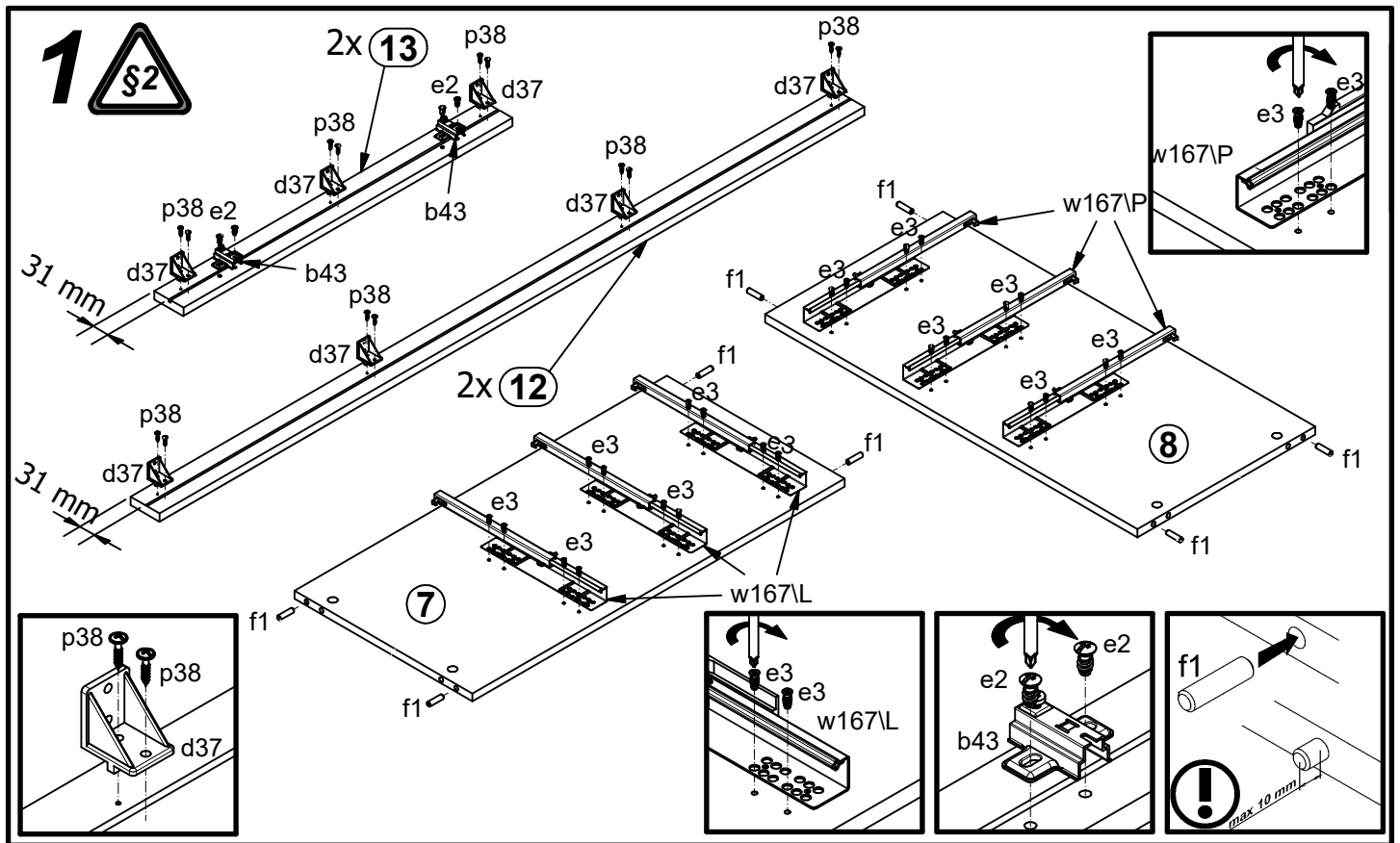


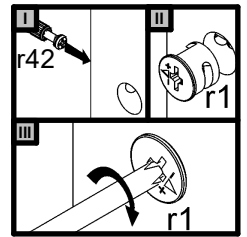
A	B	C	D	
1	S428-0003	456	210	3/3
2	S428-0004	456	270	3/3
3	S428-0005	456	696	3/3
4	S428-0006	456	696	3/3
5	S428-1004	796	400	2/3
6	S428-1005	796	400	2/3
7	S428-1006	796	380	2/3
8	S428-1007	796	380	2/3
9	S428-2003	1505	400	1/3
10	S428-2004	1505	400	1/3
11	S428-3001	499	375	1/3
12	S428-5003	1506	62	1/3
13	S428-5004	703	62	1/3
14	S428-9002	414	357	1/3
15	S428-9004	806	458	2/3
16	S428-9302	806	512	2/3
17	ZQ6-5030	404	127	1/3
18	ZQ6-511	350	140	2/3
19	ZQ6-512	350	140	2/3



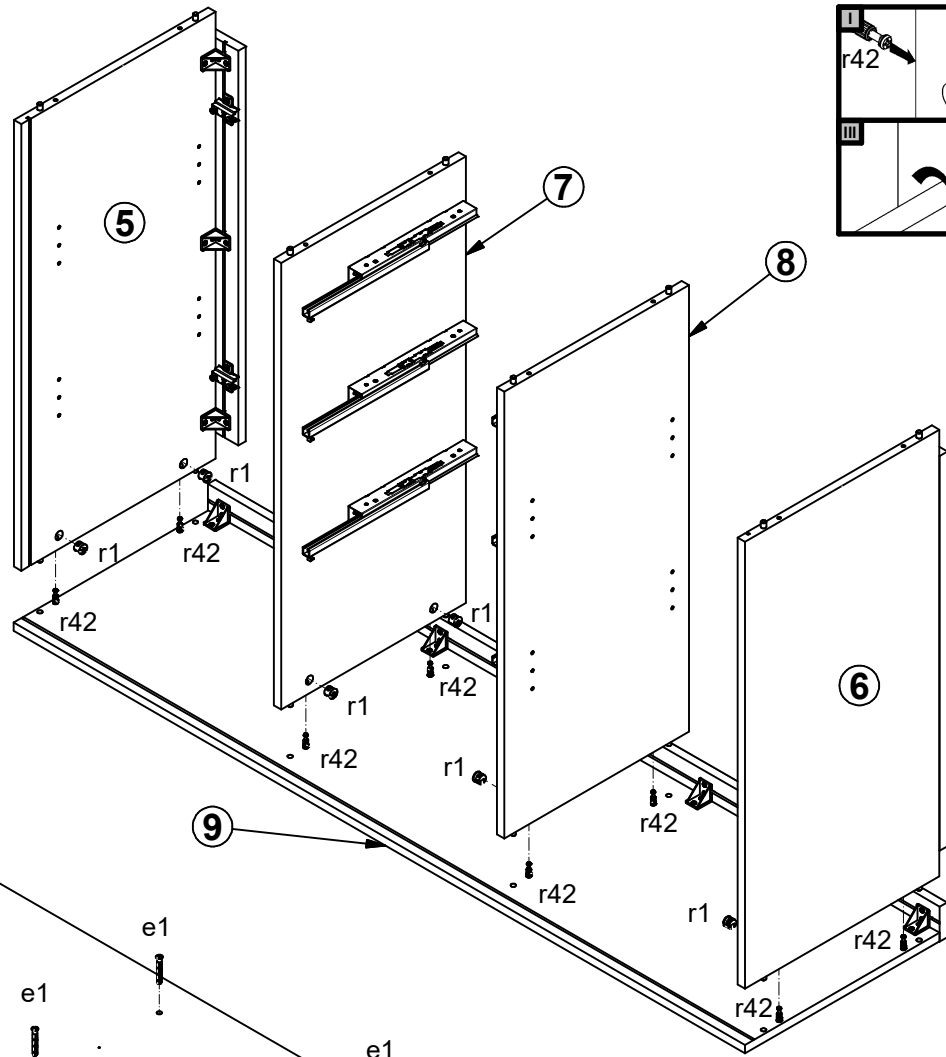
4x a132	2x a133	4x b43	5x 192 mm c306	16x Ø5x17 mm d1	14x d37	8x Ø7x50 mm e1	8x Ø6.3x13 mm e2	24x Ø6x13 mm e3
16x Ø8x30 mm f1	12x Ø6.5x40 mm f25	10x M4x22 mm j30	2x Ø50x25 mm k53	4x 60x60/25 mm k55	10x l2	6x 22x9.5x2/0.7 mm n108	2x Ø4x25 mm p36	65x Ø3.5x16 mm p38
8x Ø3.5x15 mm p51	12x Ø2.9x16 mm p55	8x Ø4x35 mm p6	8x Ø15x12 mm #16 r1	12x Ø12x10.5 mm #12 r15	20x 20/11 r42	3x 350mm w167L	3x 350mm w167IP	4x Ø 20mm s68
1x 4 mm z1							1x n26	1x Ø3.5x16 mm p38



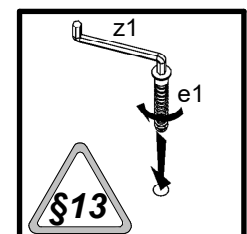
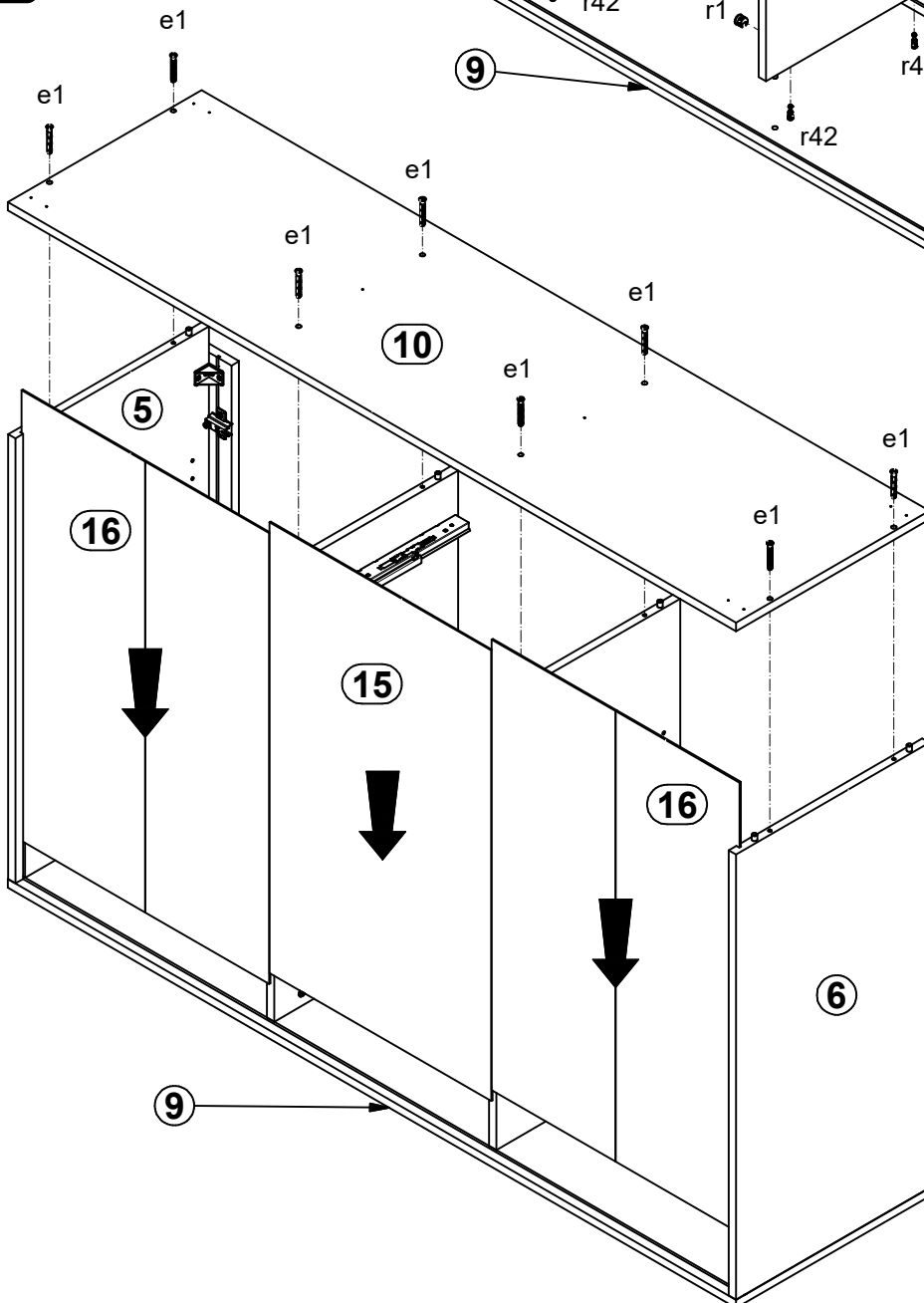
3 §6

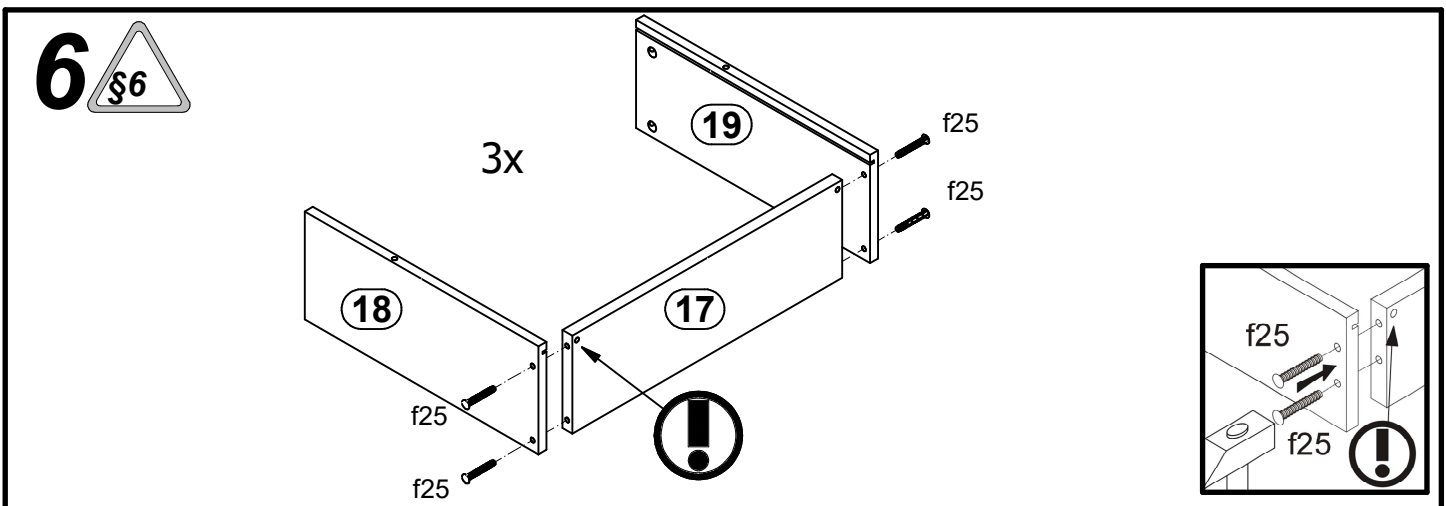
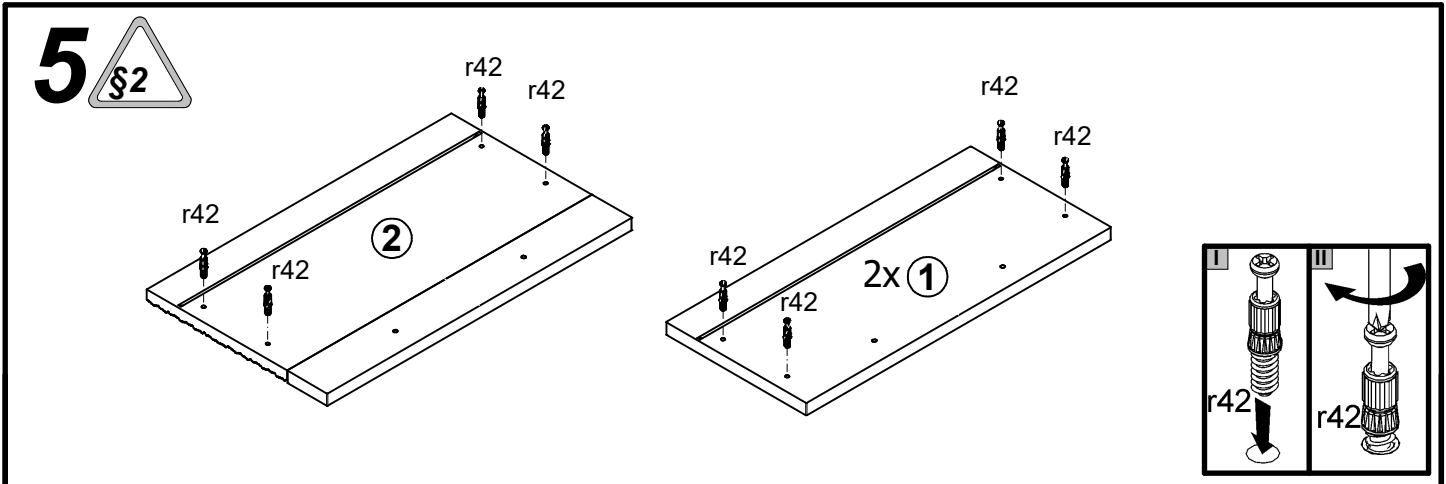
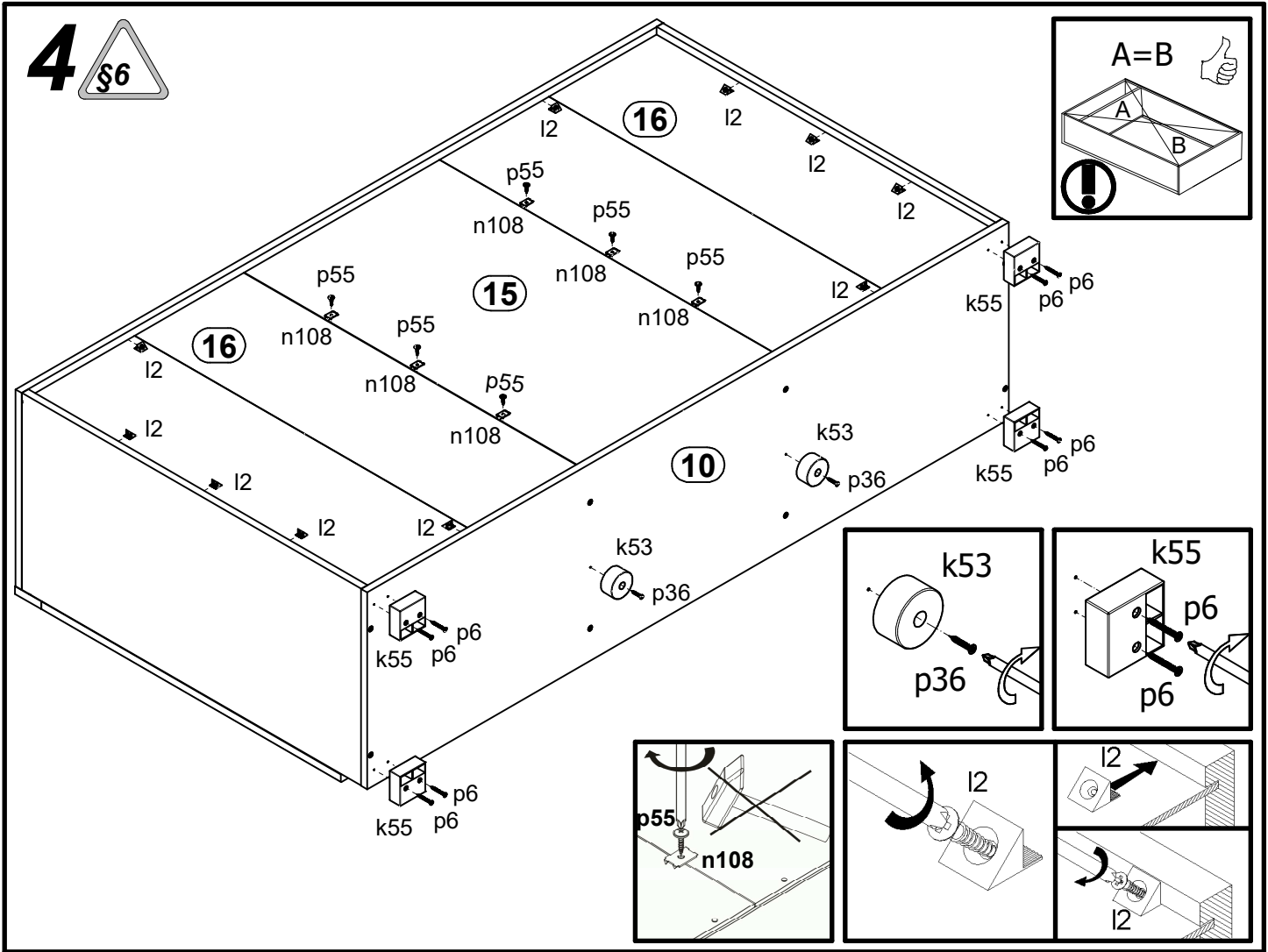


I



II

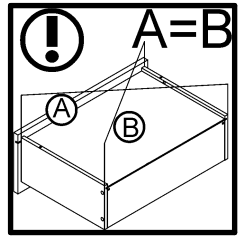
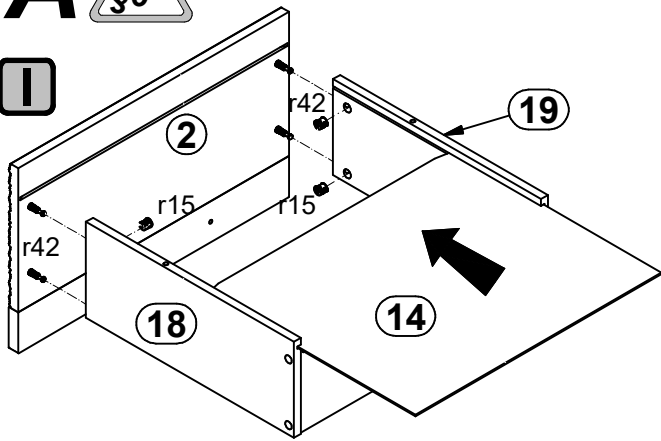




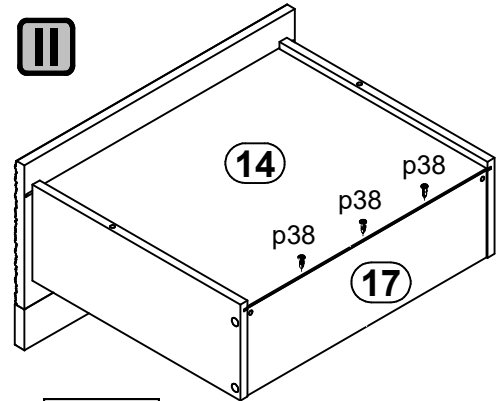
7A



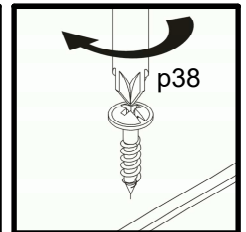
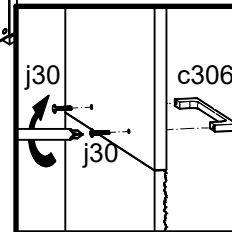
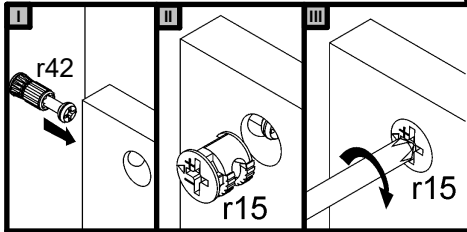
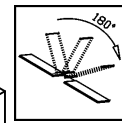
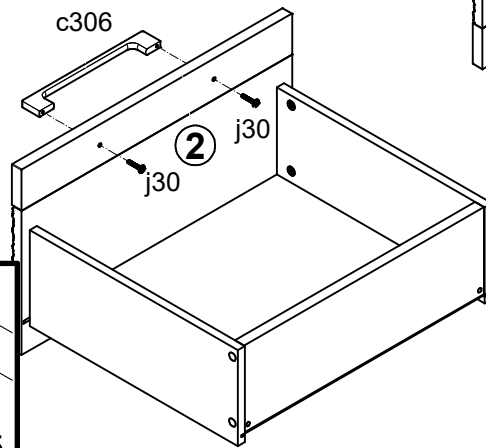
I



II



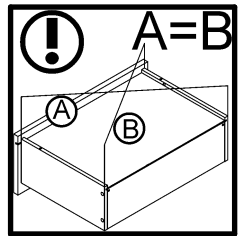
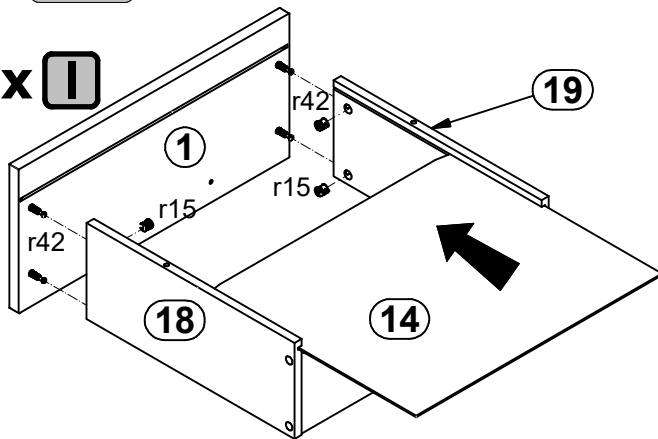
III



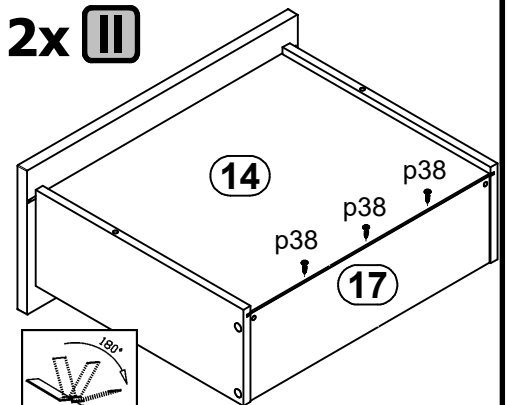
7B



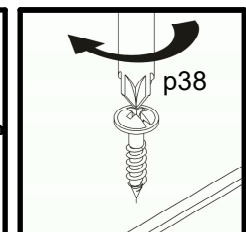
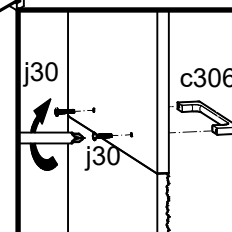
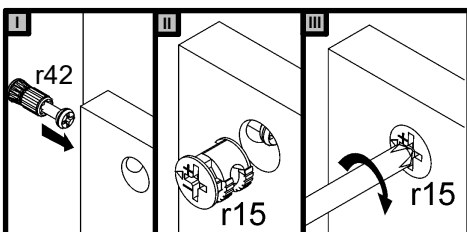
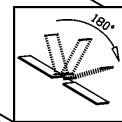
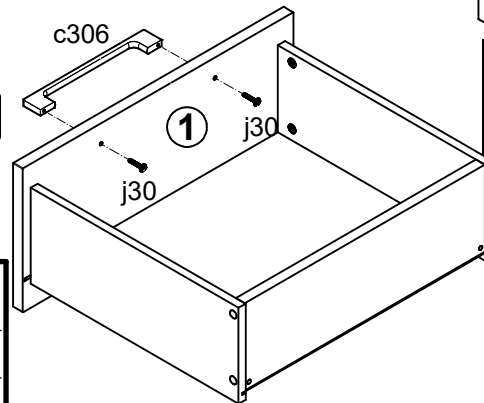
2x I



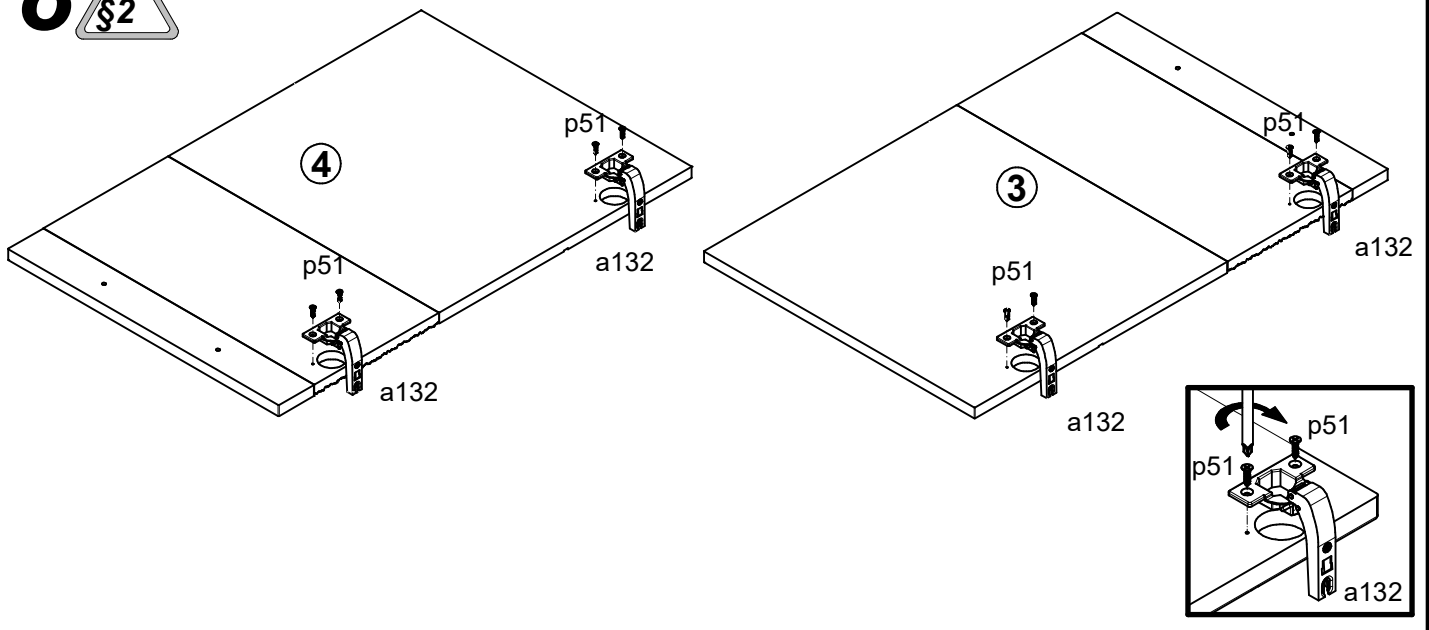
2x II



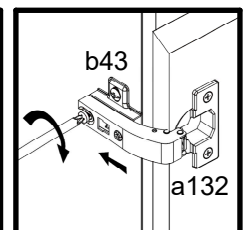
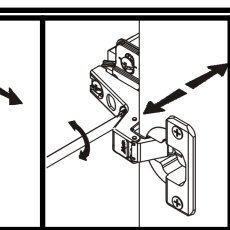
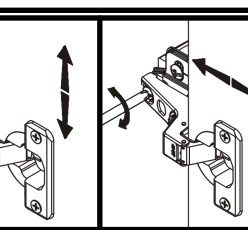
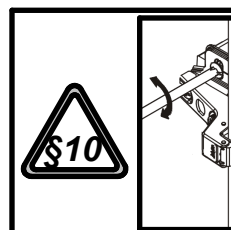
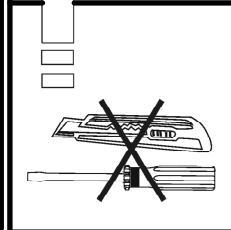
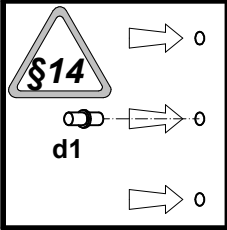
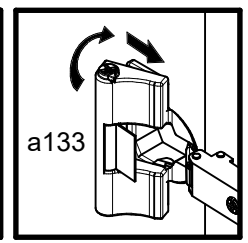
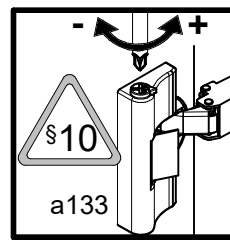
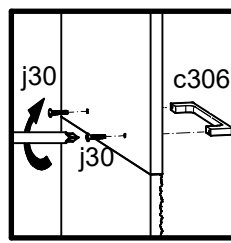
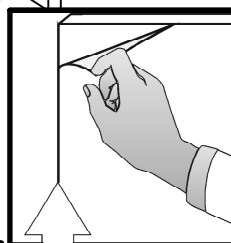
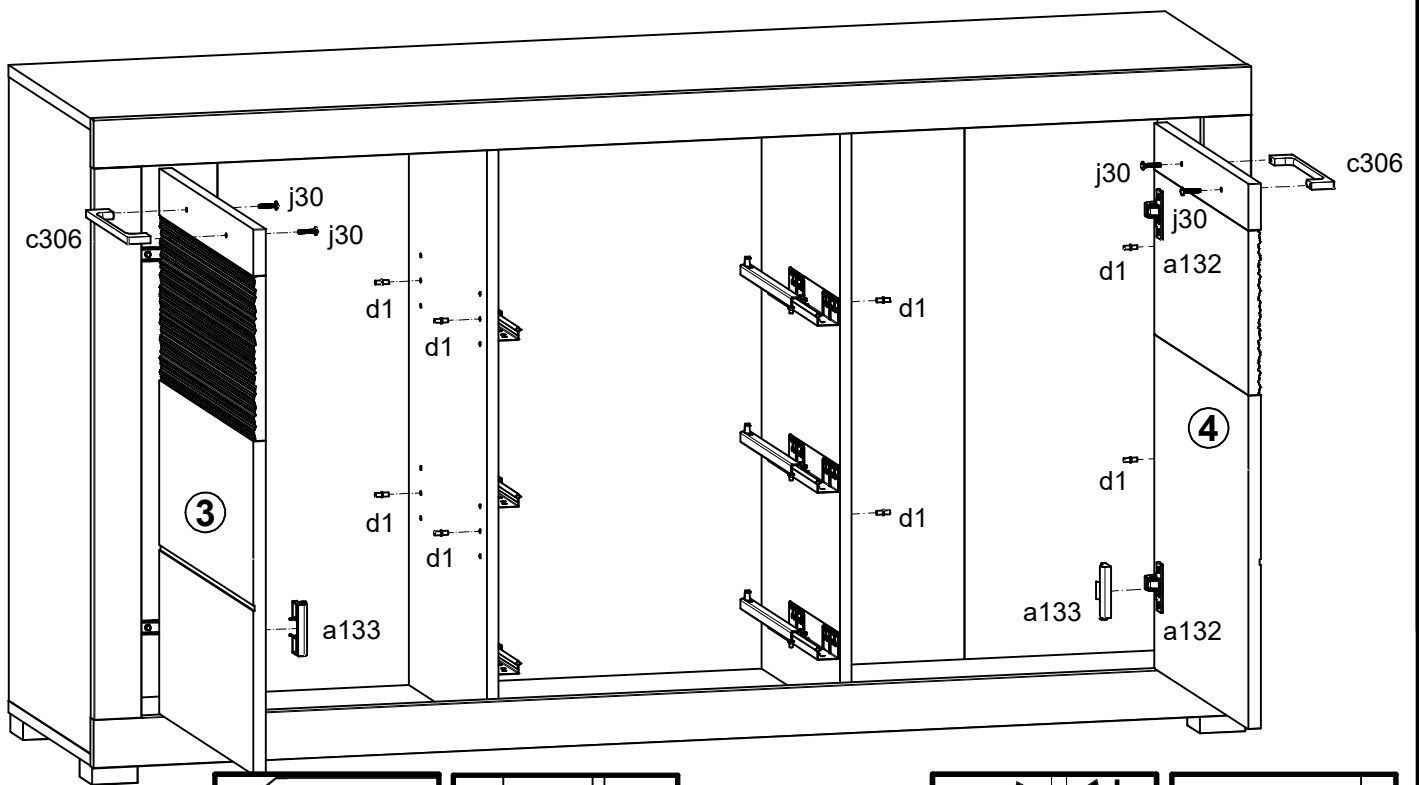
2x III



8



9



10

