

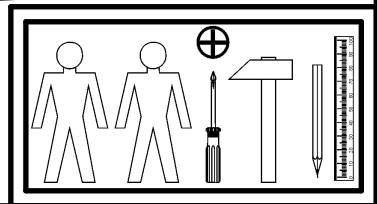
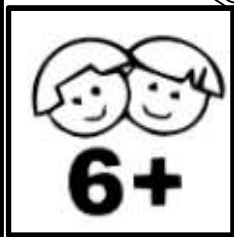
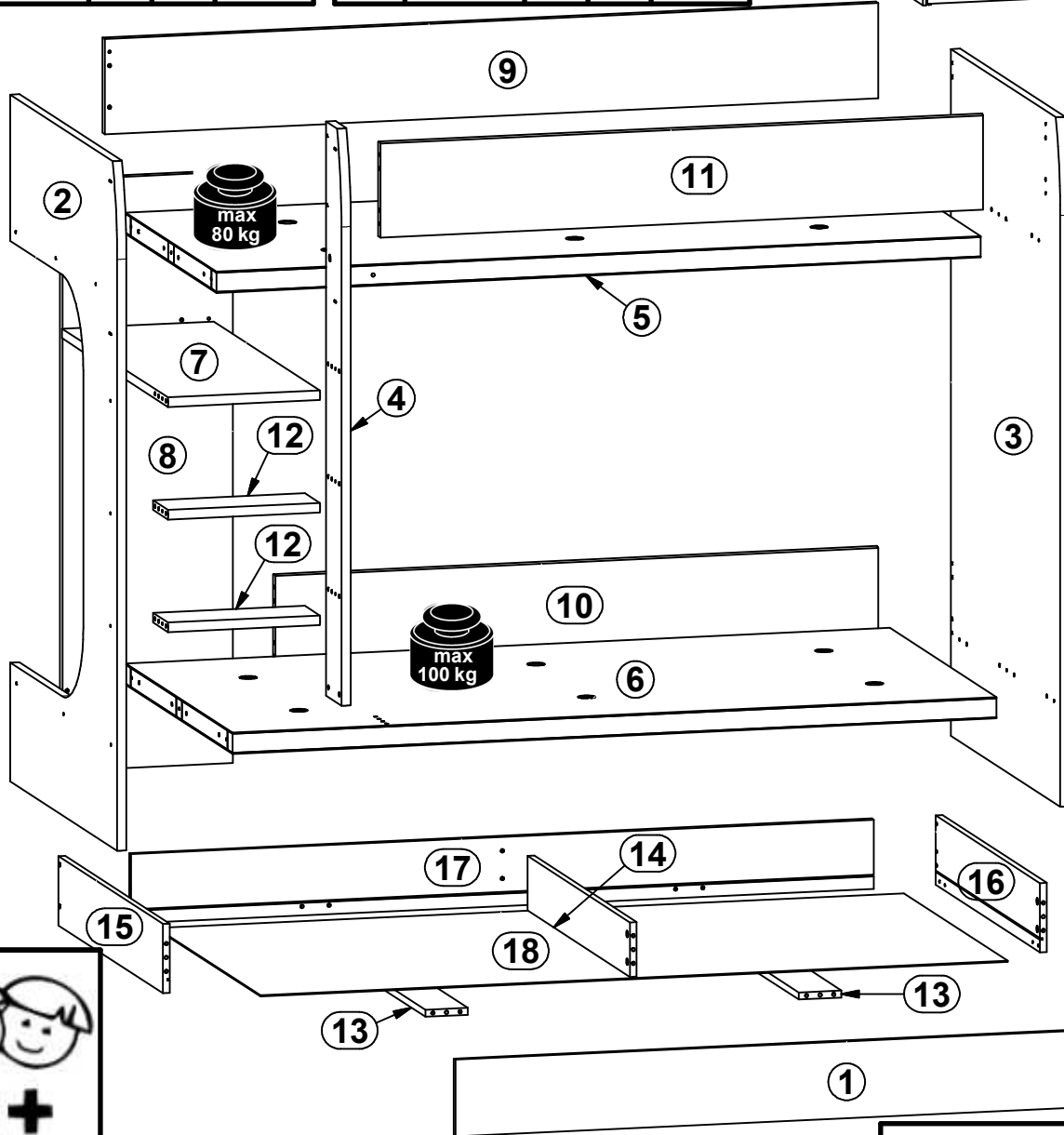
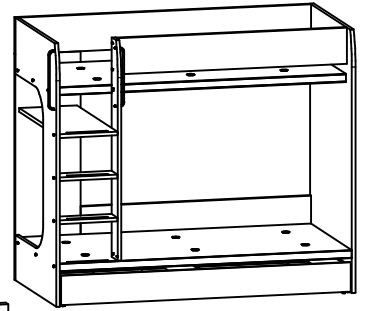
A

# NAMEK

S412-LOZ1S/90/P

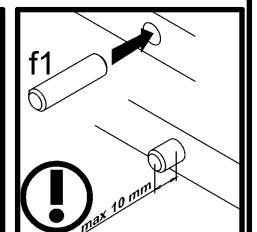
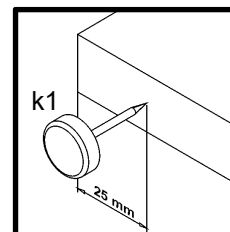
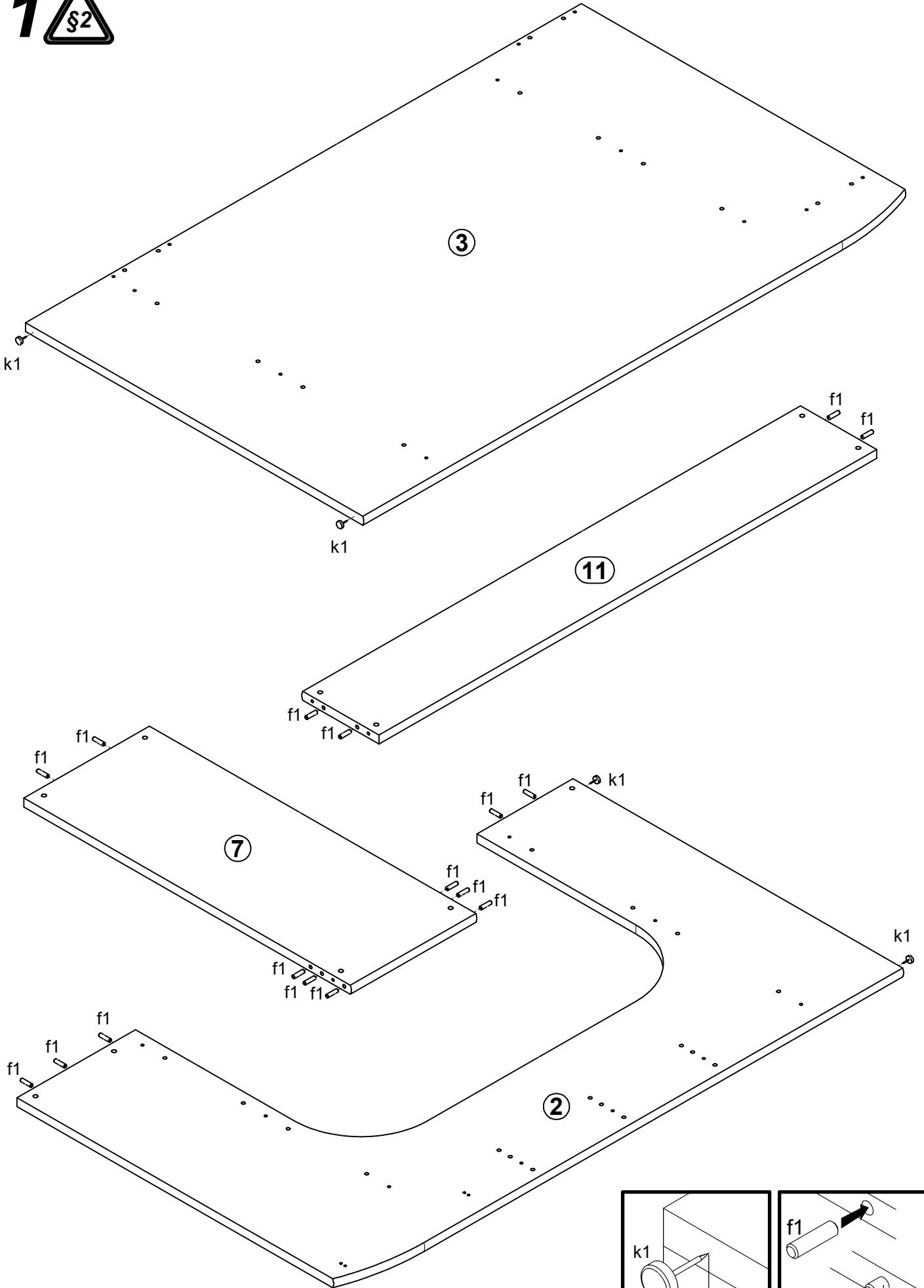
A	B	C	D
1	S412-0017	1784	177, 1/5
2	S208-125	1586,	943, 3/5
3	S208-126	1586	965 3/5
4	S208-130	1326,	138 1/5
5	S208-322	1800	800 5/5
6	S208-323	1800	940 4/5
7	S208-324	934	358 2/5
8	S208-414	1366,	402 2/5
9	S208-415	1822	220 1/5

A	B	C	D
10	S208-416	1420	220 1/5
11	S208-417	1420	220 1/5
12	S208-418	134	358 2/5
13	S208-419	901	100 2/5
14	S208-420	901	126 2/5
15	S208-510	918	160 2/5
16	S208-511	918	160 2/5
17	S208-512	1750	160 1/5
18	S208-910	1760	914 4/5

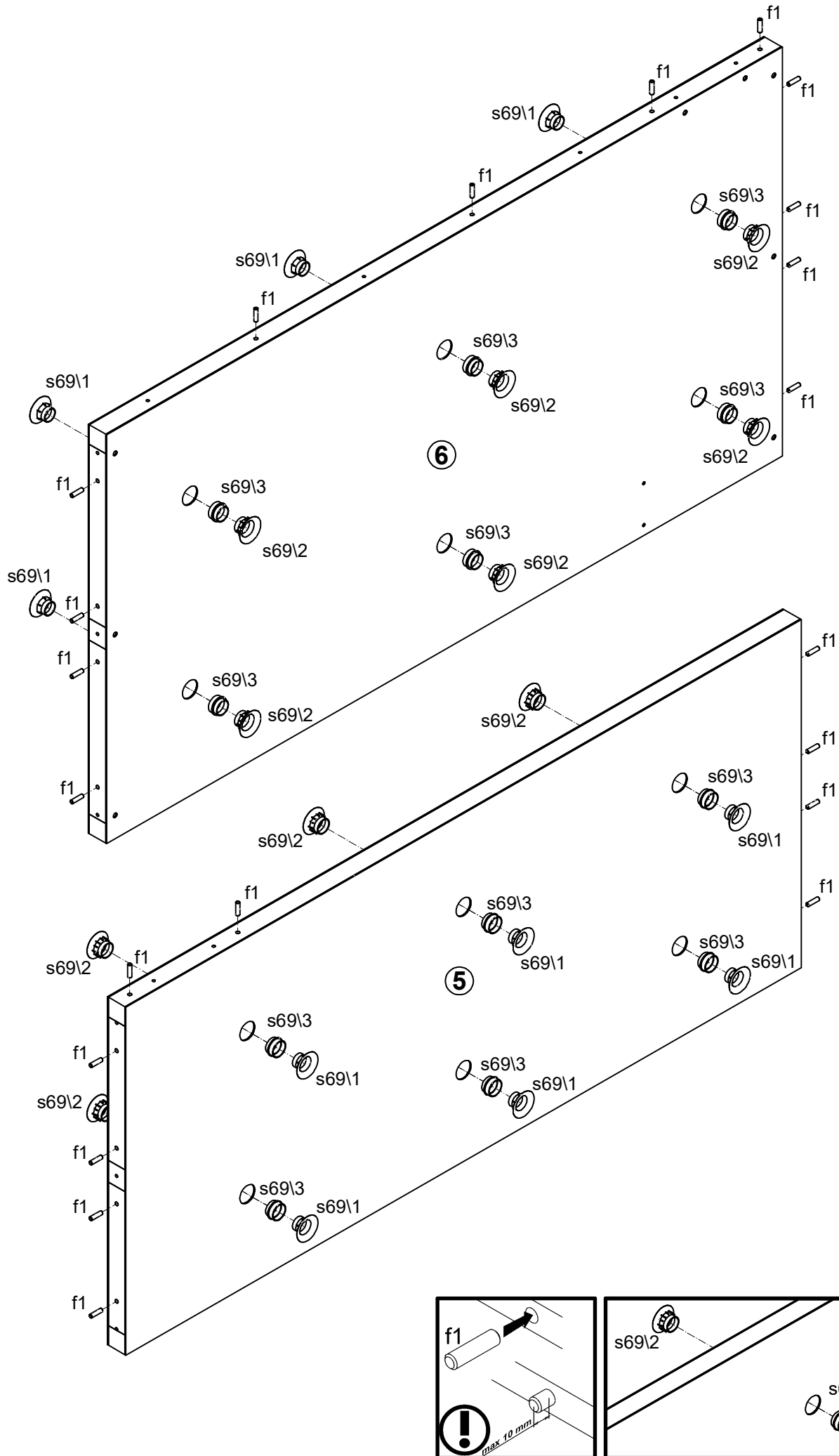


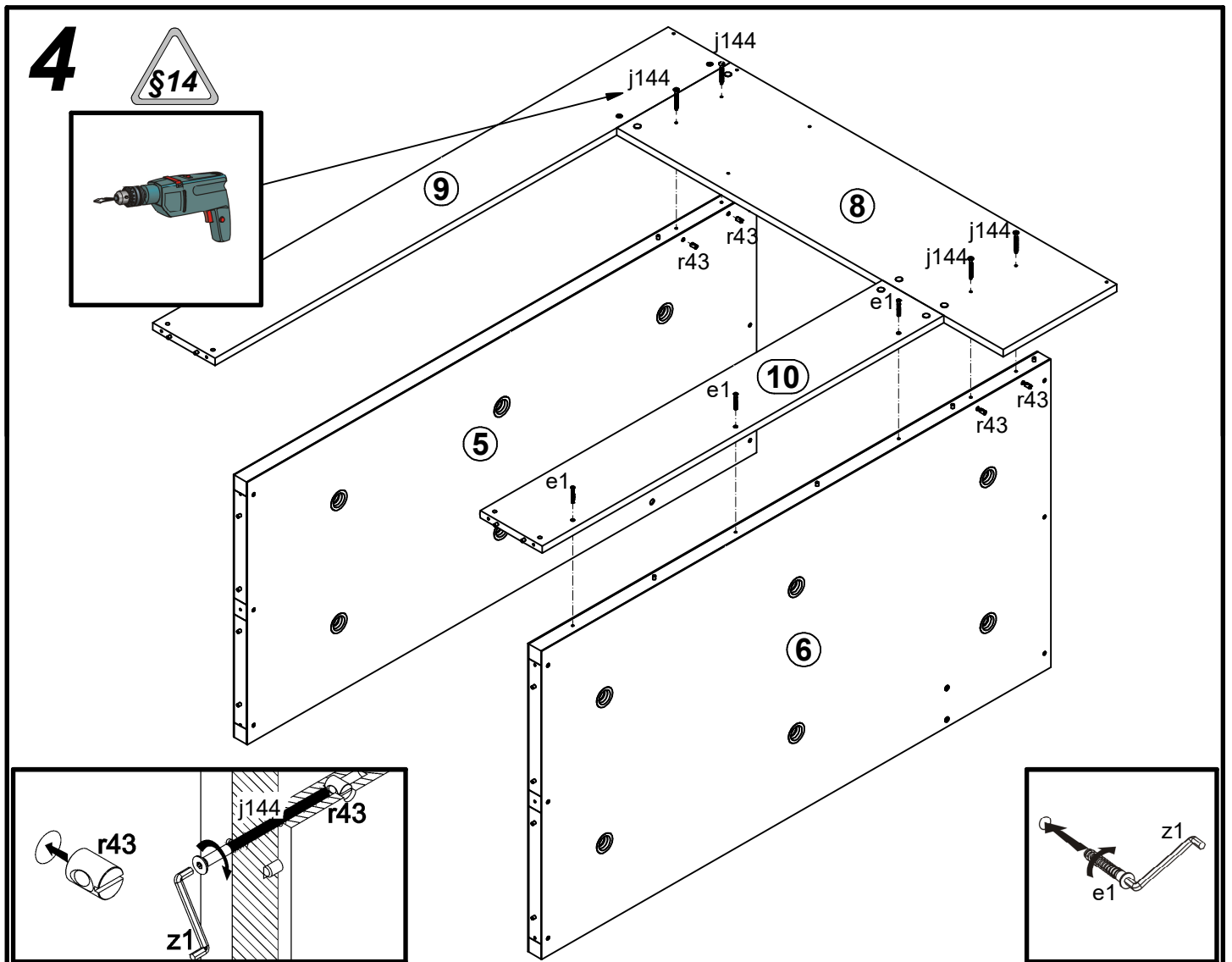
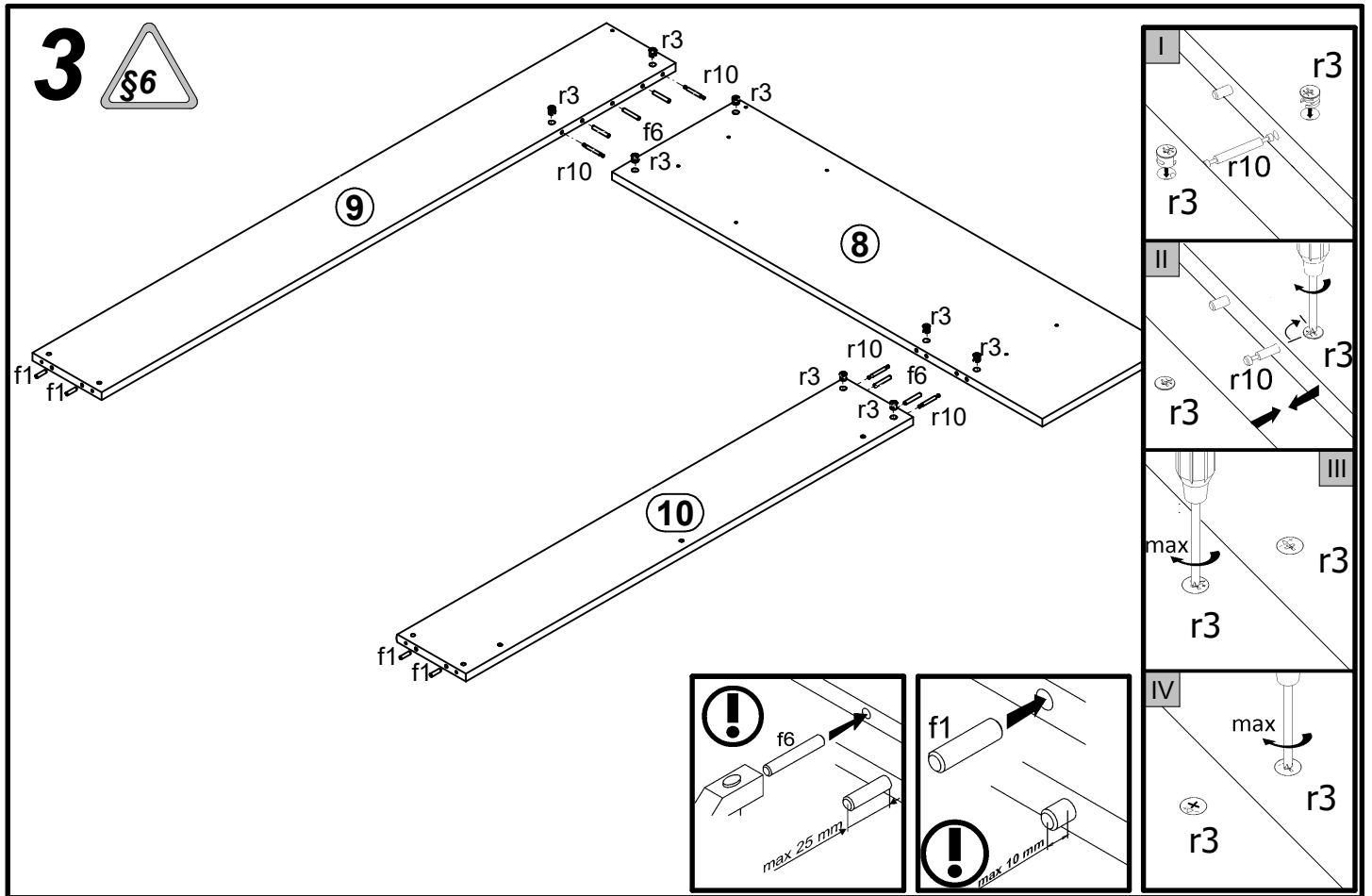
2x 352 mm c367	13x Ø7x50 mm e1	8x Ø6.3x13 mm e2	64x Ø8x30 mm f1	5x Ø8x50 mm f6	8x M4x32 mm j73	2x M6x84 mm j117	35x M6x60 mm j144	4x k1
4x k44	18x l2	8x Ø3.5x16 mm p38	10x Ø15x12 mm #16 r1	5x r10	10x Ø15x15 mm #22 r3	10x r42	37x Ø10x16 mm r43	4x s1
9x Ø16 s2	12x Ø32 mm s69\1	12x Ø32 mm s69\2	12x Ø32 mm s69\3	4x u41\1	1x z1			

1 

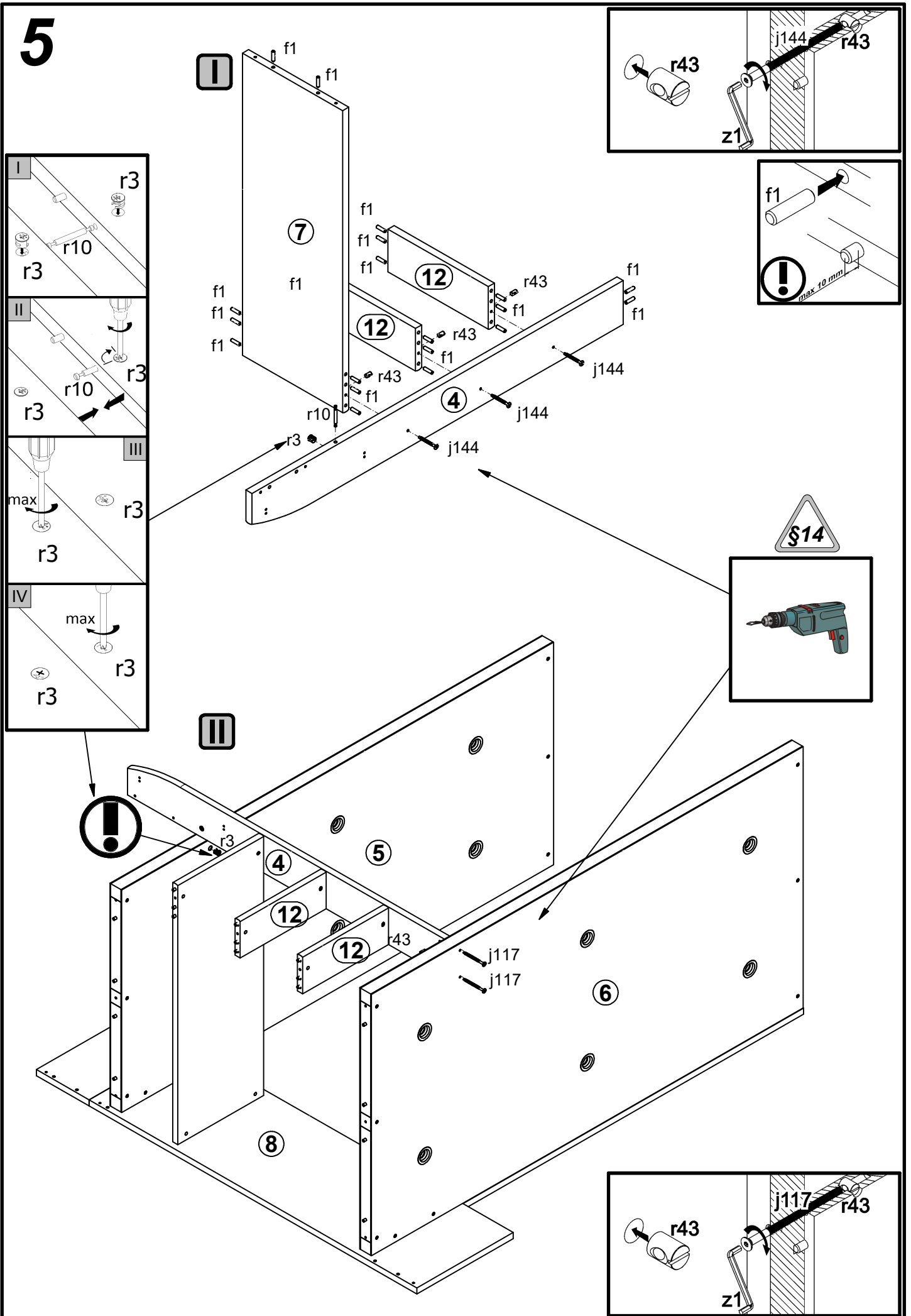


# 2

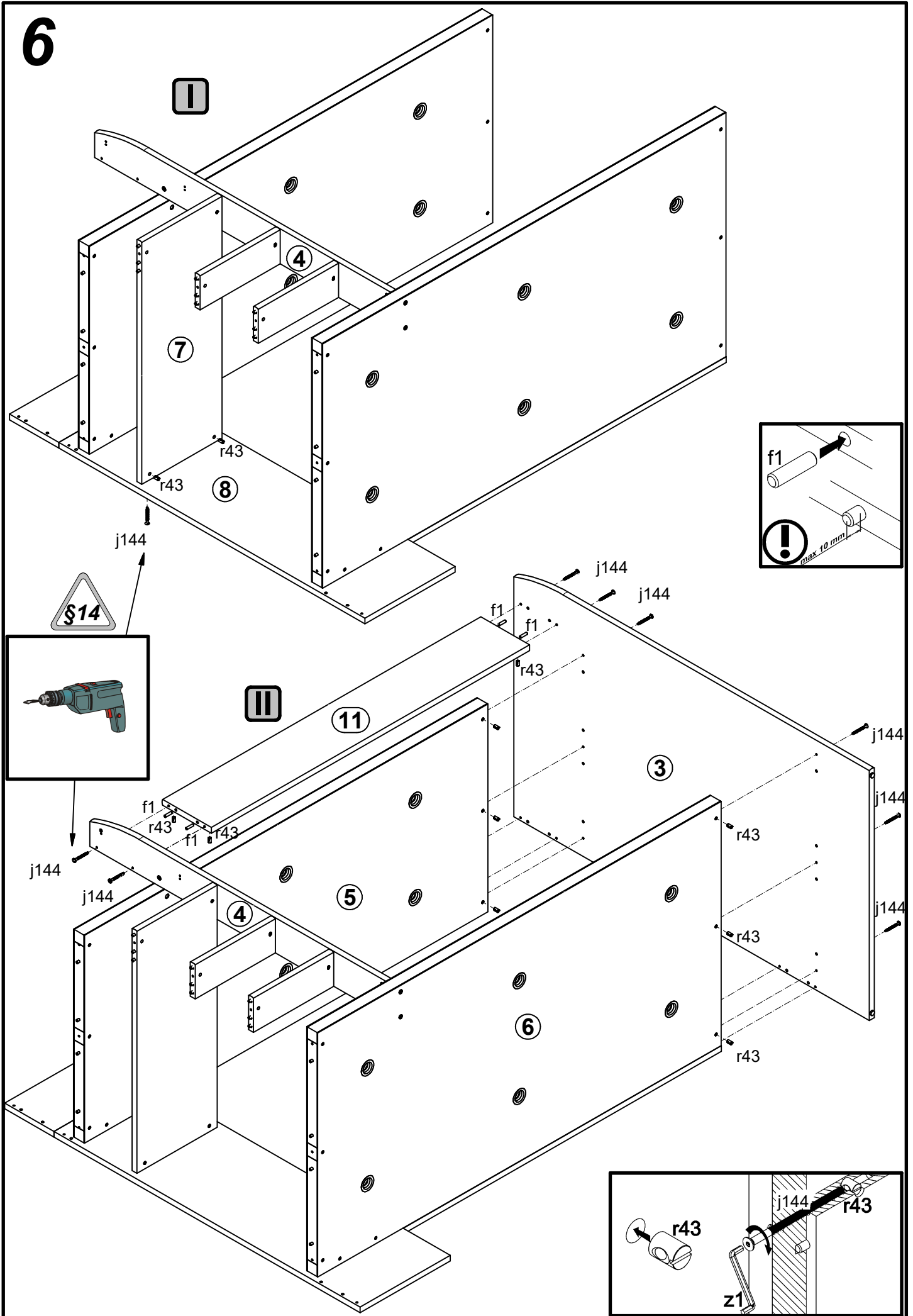




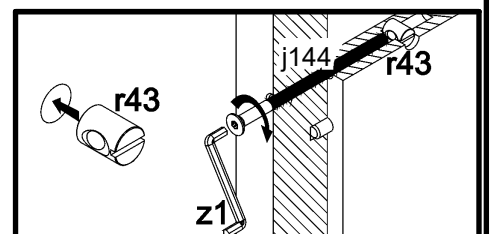
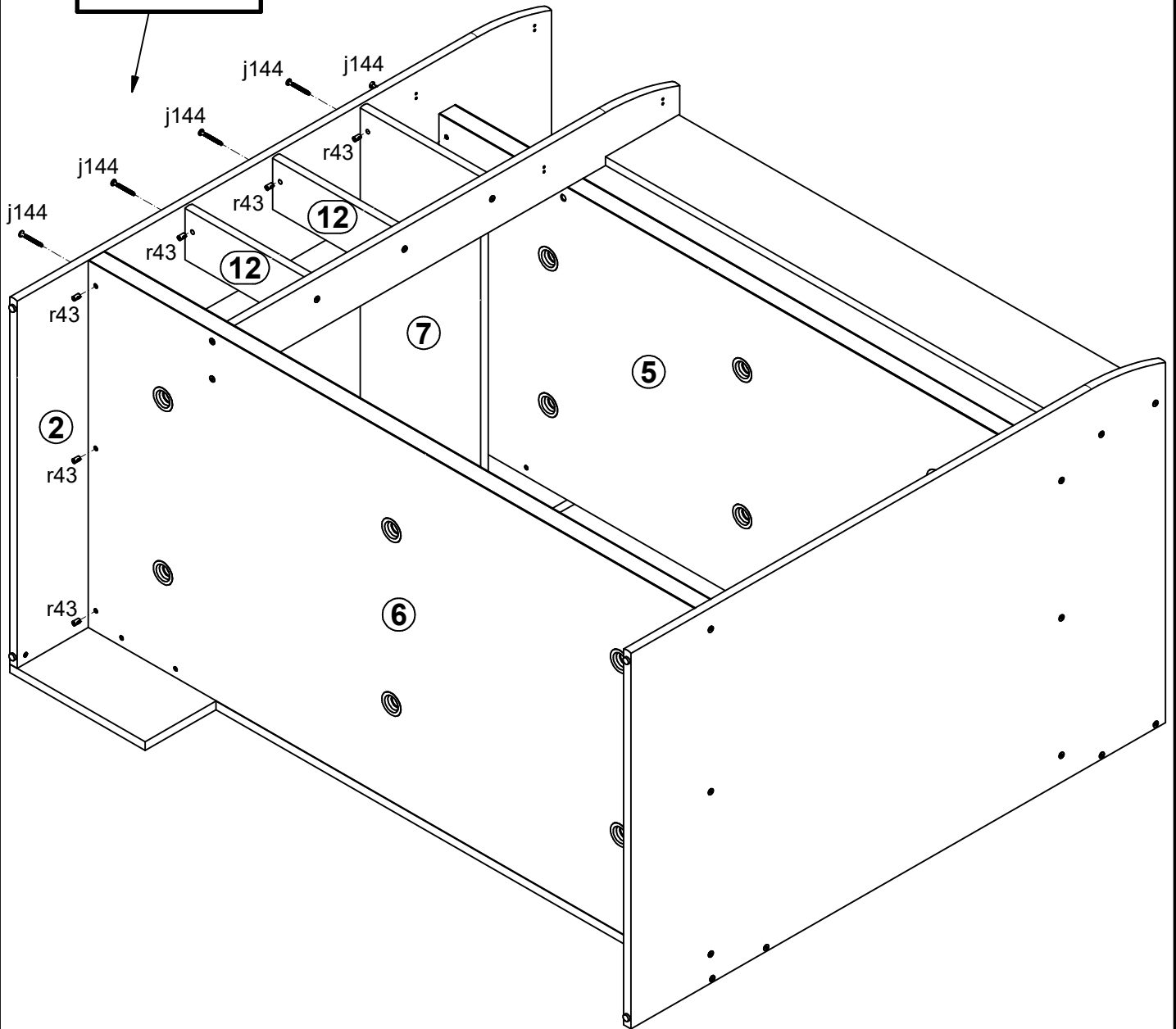
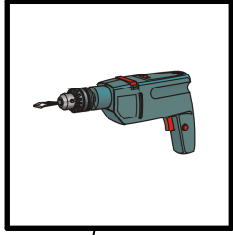
# 5



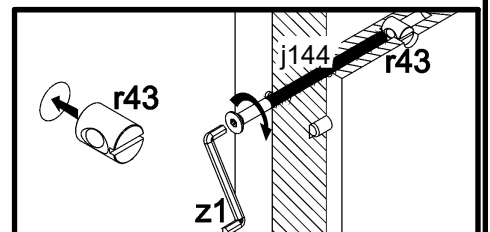
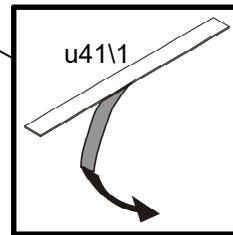
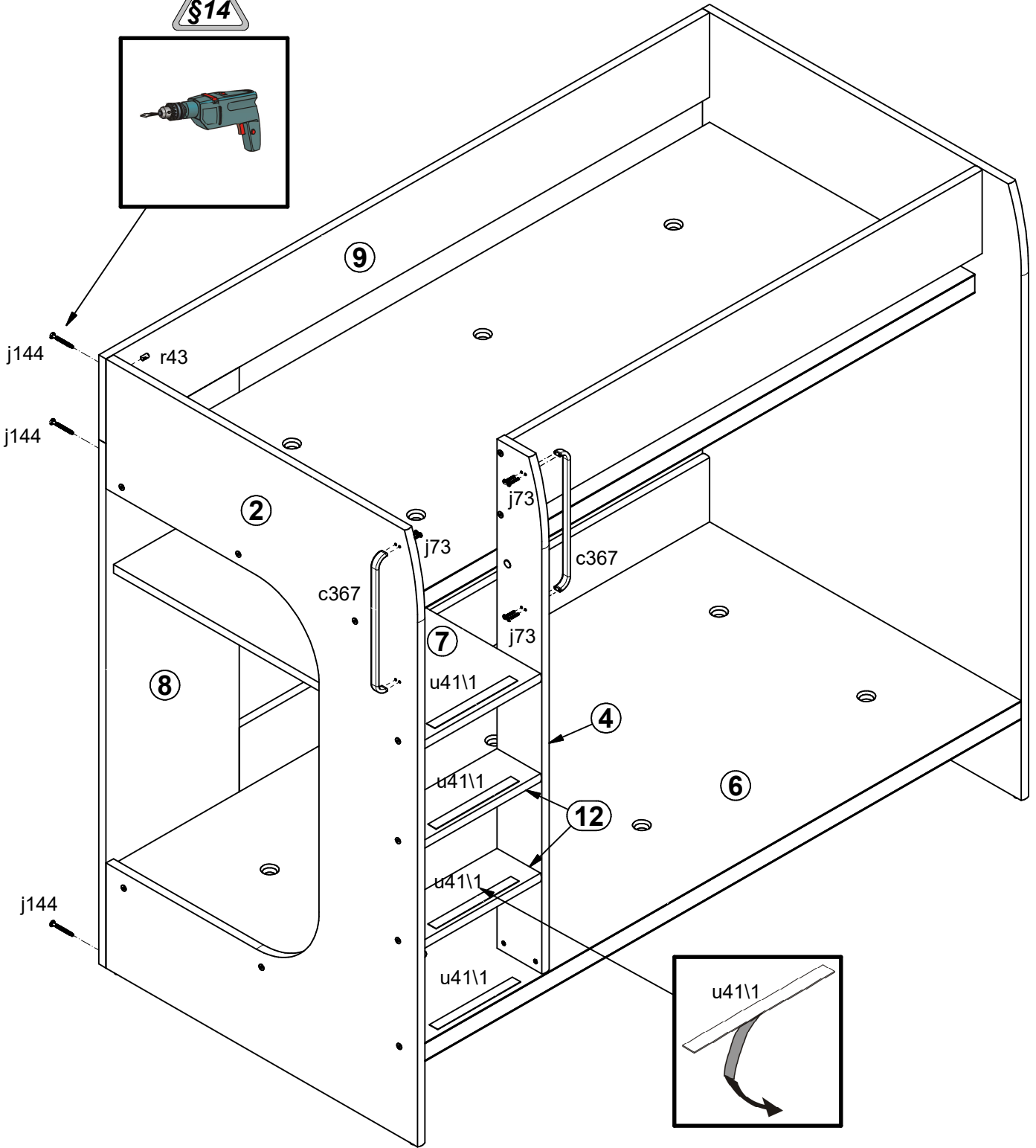
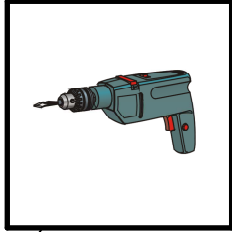
# 6



7

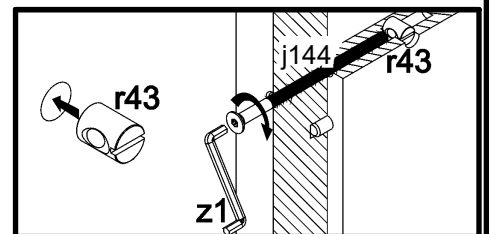
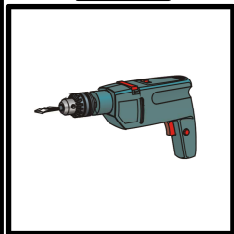
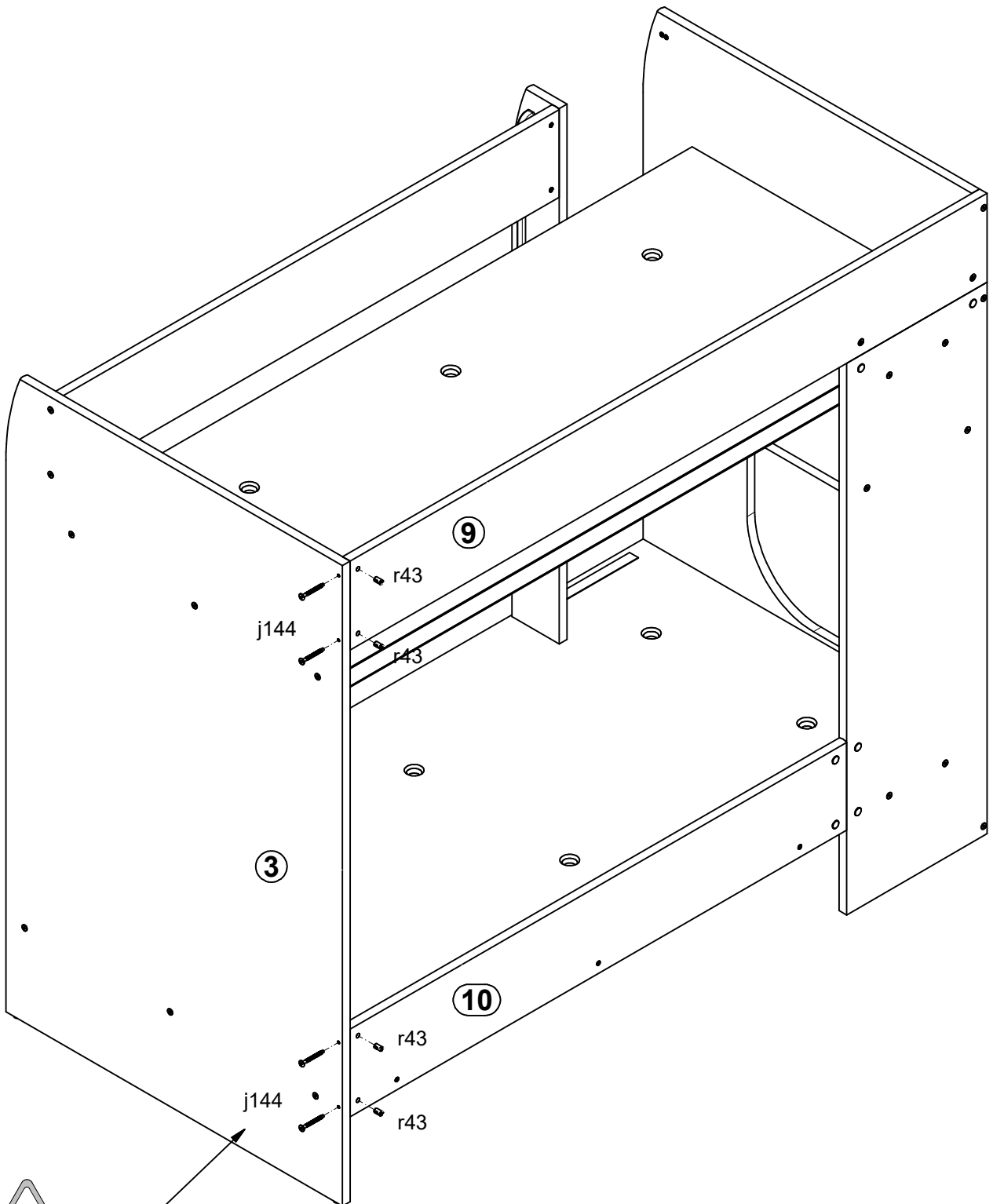


# 8

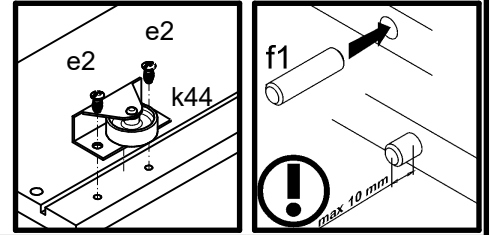
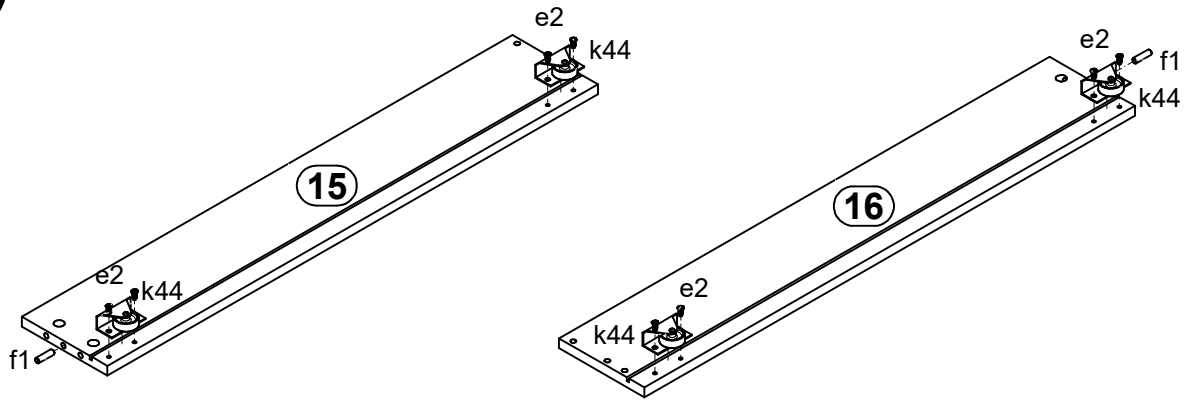




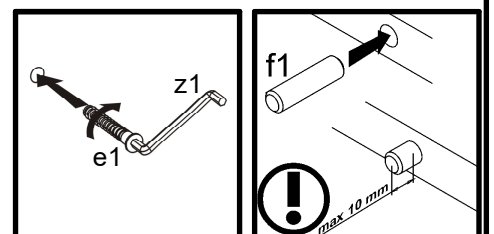
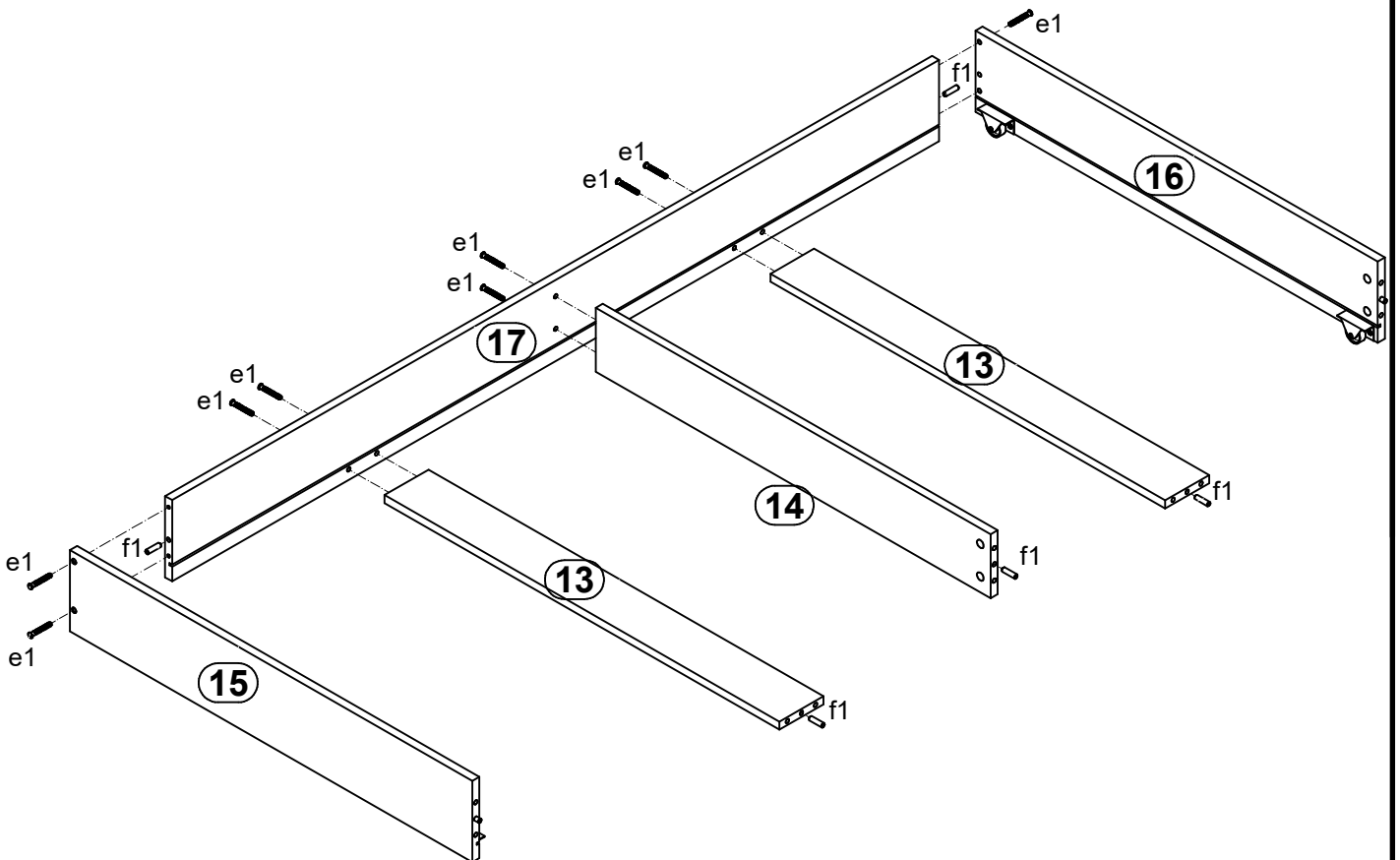
# 9



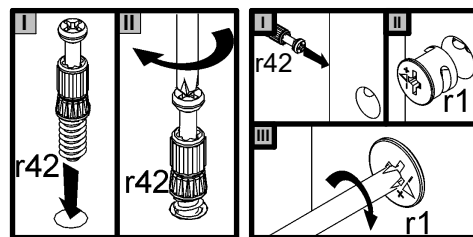
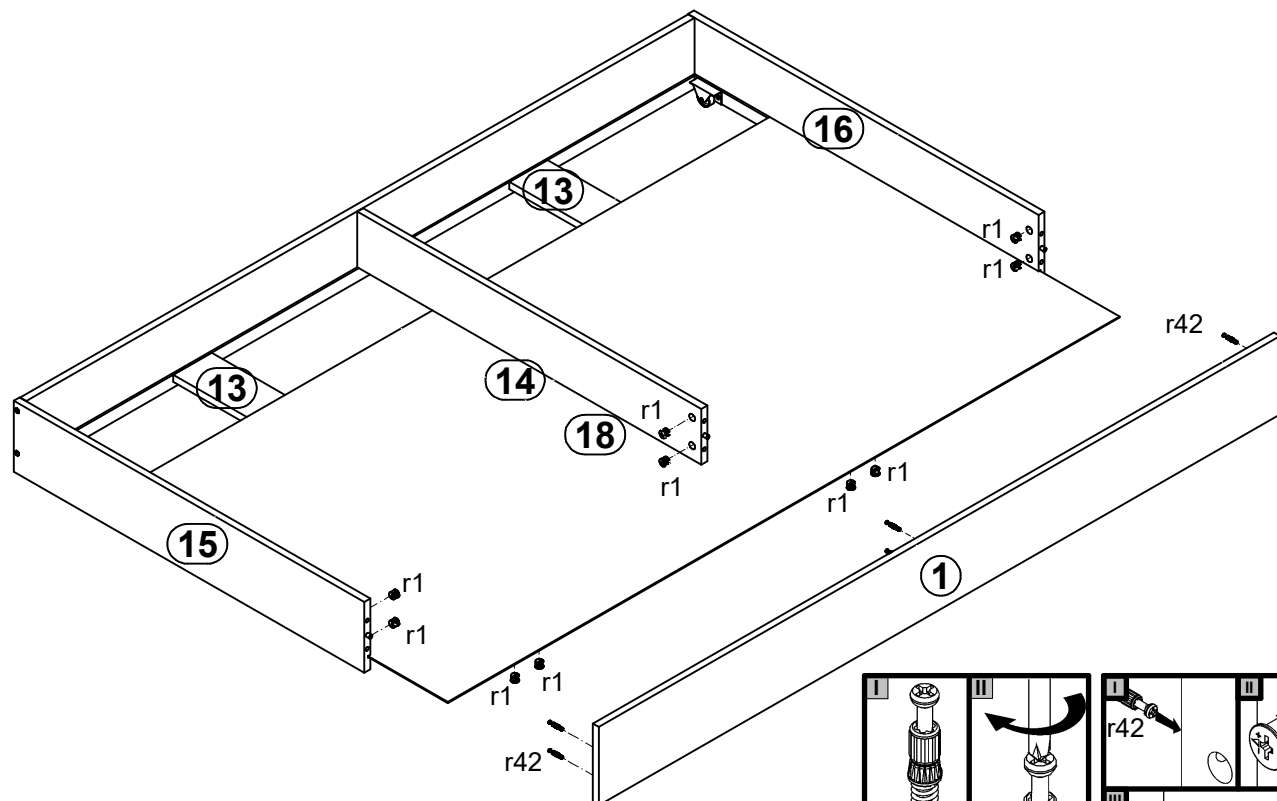
# 10



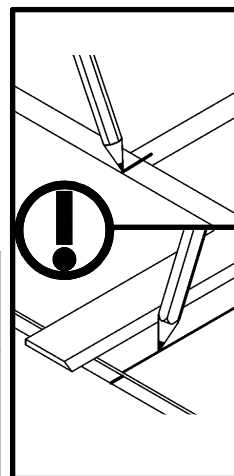
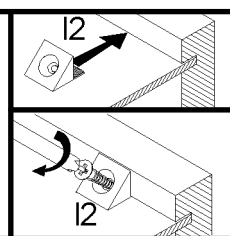
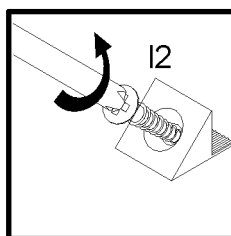
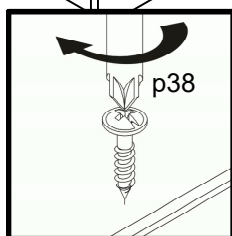
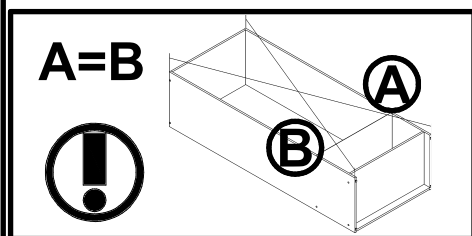
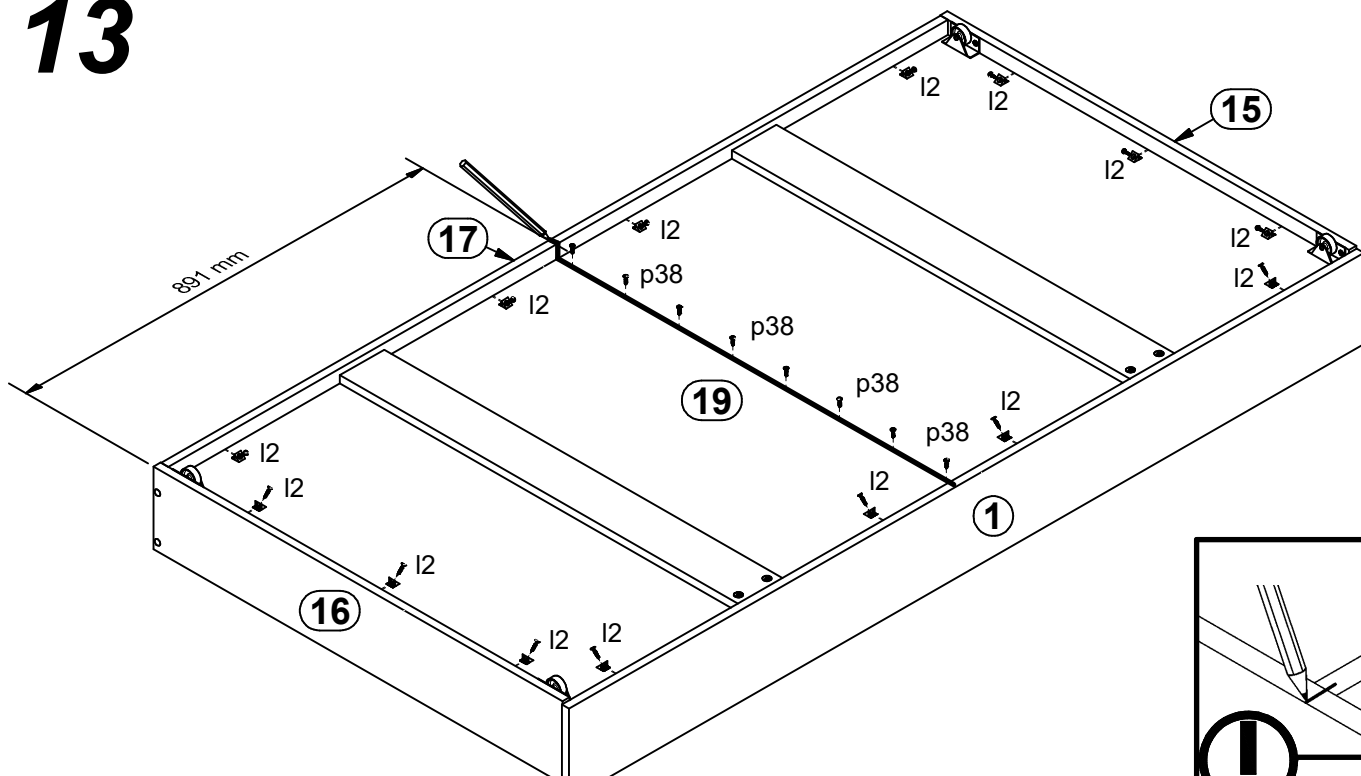
# 11



# 12



# 13



# 14

§16A

§16D

§16E

§16F

§16B

