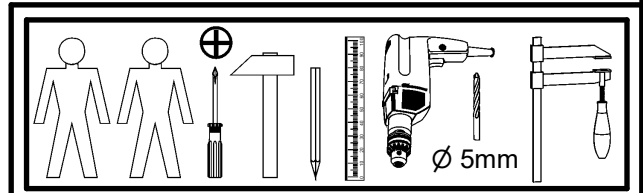
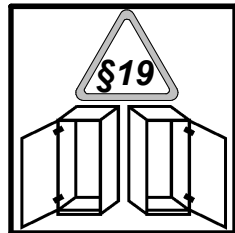
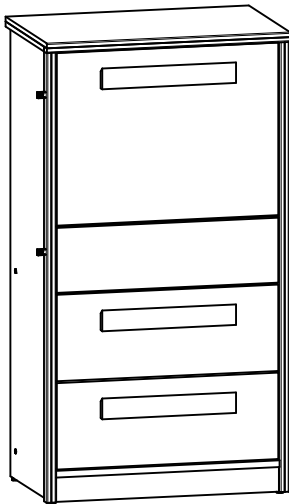
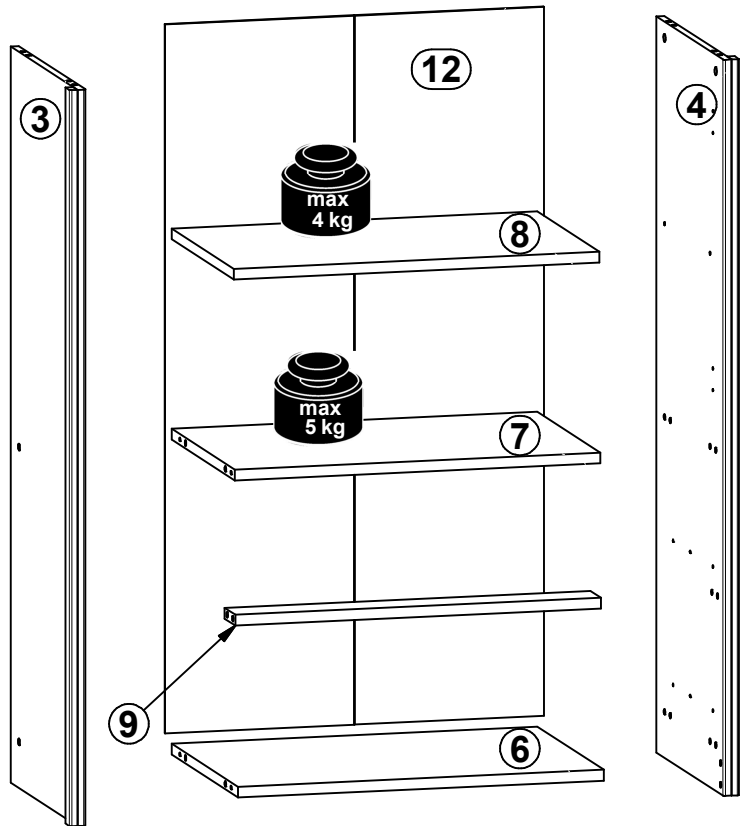
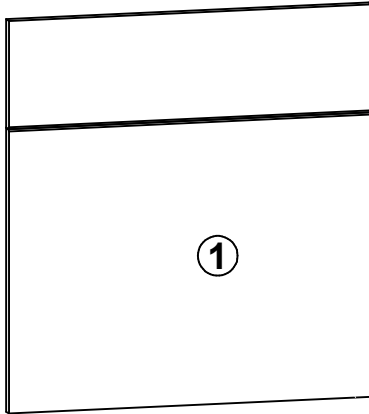
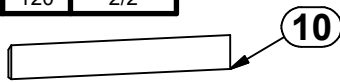
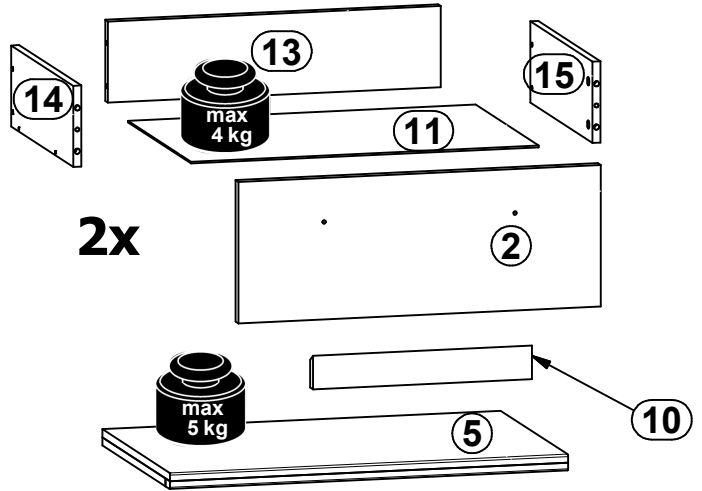


**A**

**NAMEK**

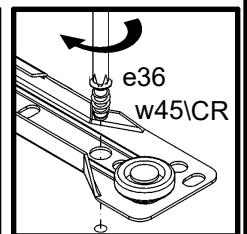
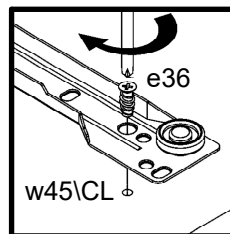
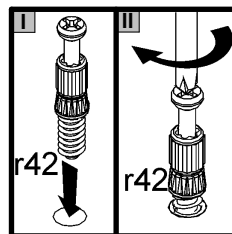
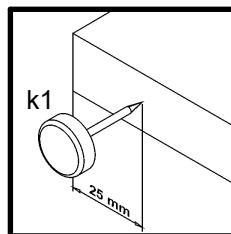
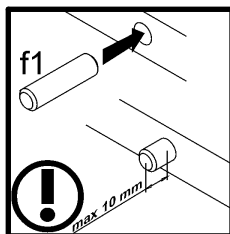
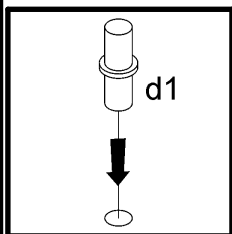
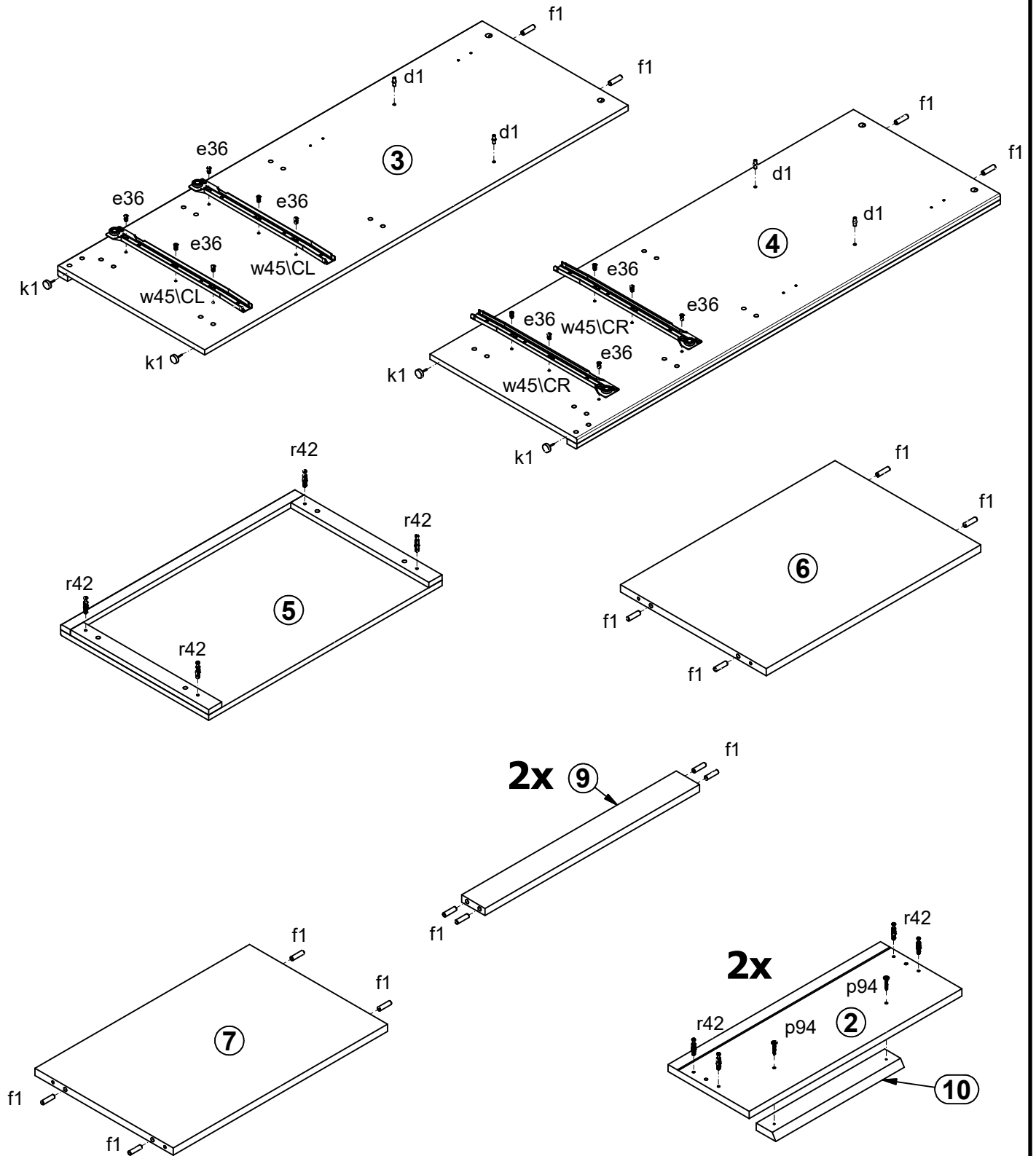
**S412-KOM1D2S**

A	B	C	D
1	S412-0005	580,	546, 1/2
2	S412-0006	546	209 1/2
3	S412-1006	1088	377 2/2
4	S412-1007	1088	377 2/2
5	S412-2004	600	380 2/2
6	S412-3009	551	374, 2/2
7	S412-3010	551	355, 2/2
8	S412-3011	551	350 2/2
9	S412-4002	551	60 2/2
10	S412-5702	330,	50, 1/2
11	S412-9002	524,	355, 2/2
12	S412-9304	1048	571 2/2
13	ZS3-5717	393	160 2/2
14	ZS4-501	500	120 2/2
15	ZS4-502	500	120 2/2

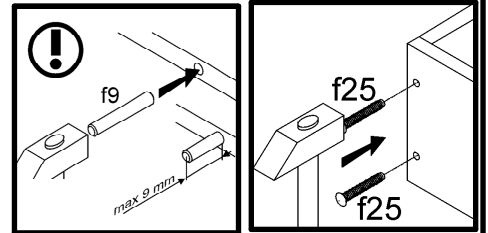
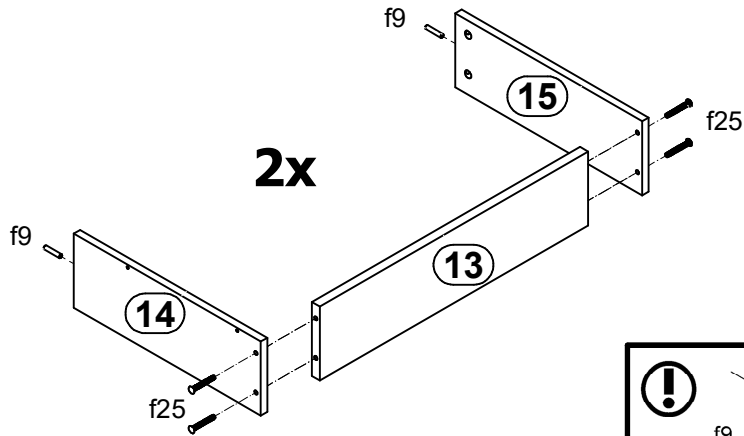


2x a43	2x b60	4x d1	8x e1	8x e19	12x e36	4x e41	20x f1	8x f25
4x f9	4x k1	40x l1	1x o21	2x p25	2x p35	9x p38	4x p51	6x p94
12x r15	12x r42	2x t35	2x w45\CL	2x w45\CR	2x w45\DL	2x w45\DR	8x s1	4x s34
1x z1	1x n26	2x s71						

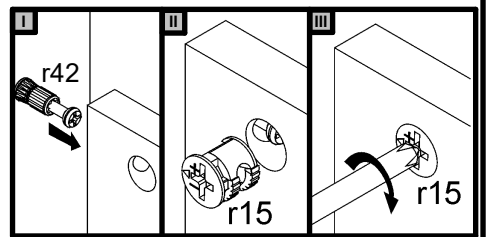
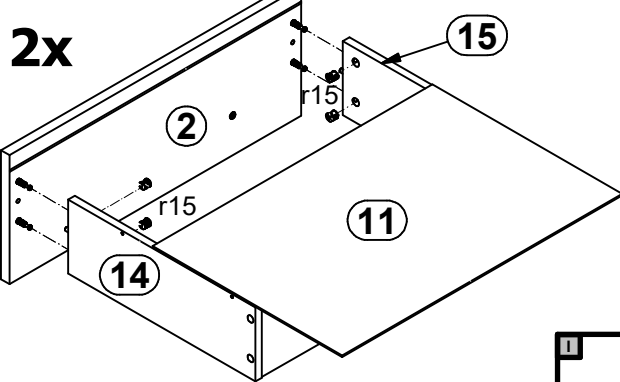
**1** 



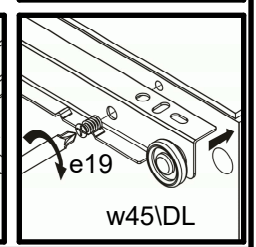
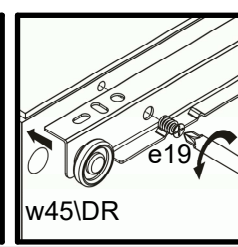
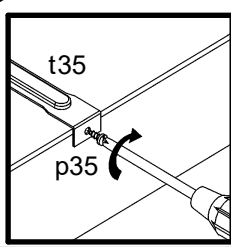
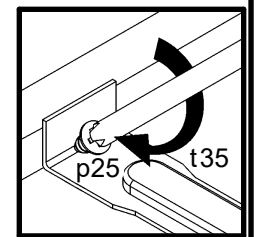
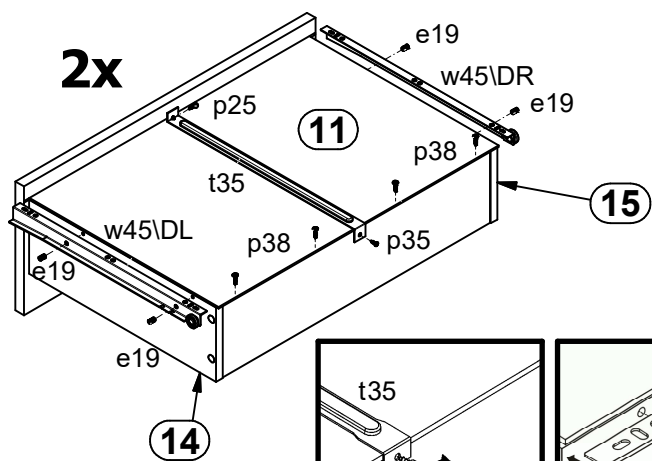
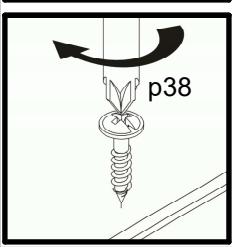
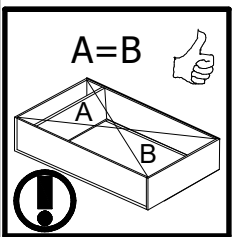
# 2



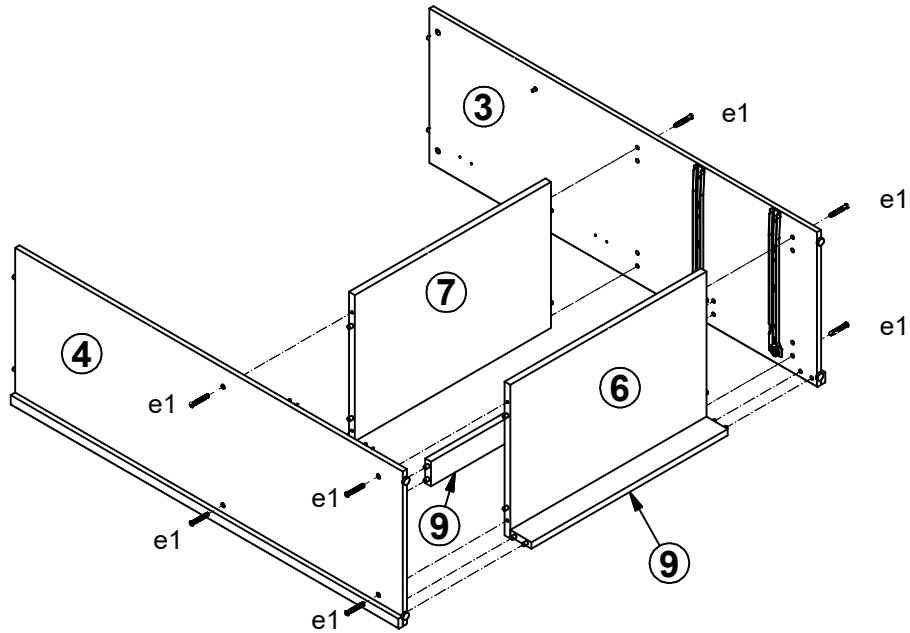
# 3



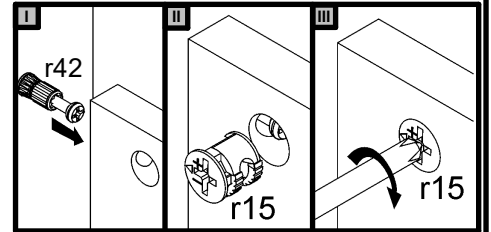
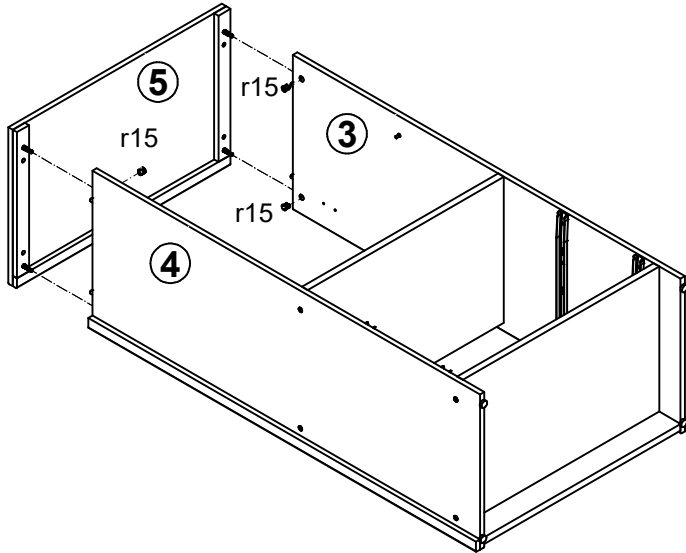
# 4



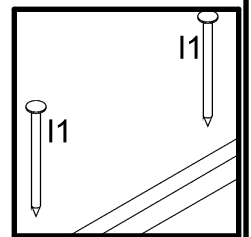
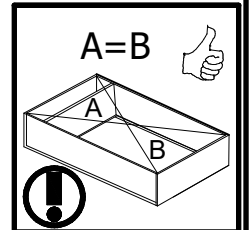
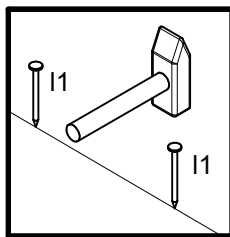
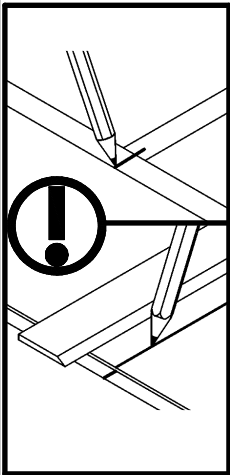
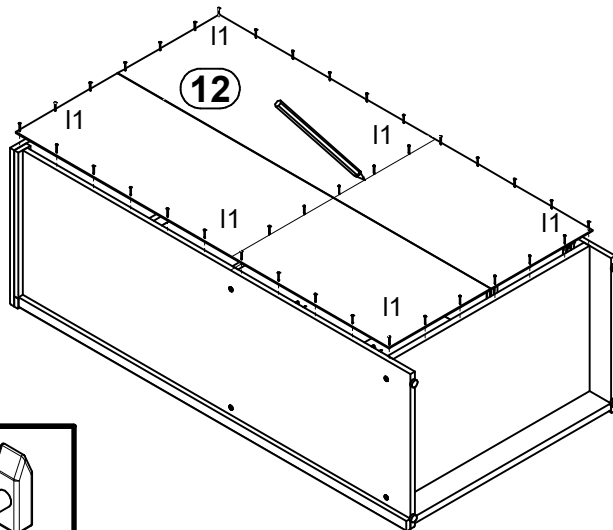
# 5



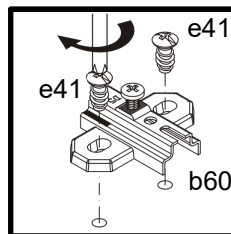
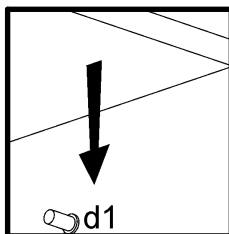
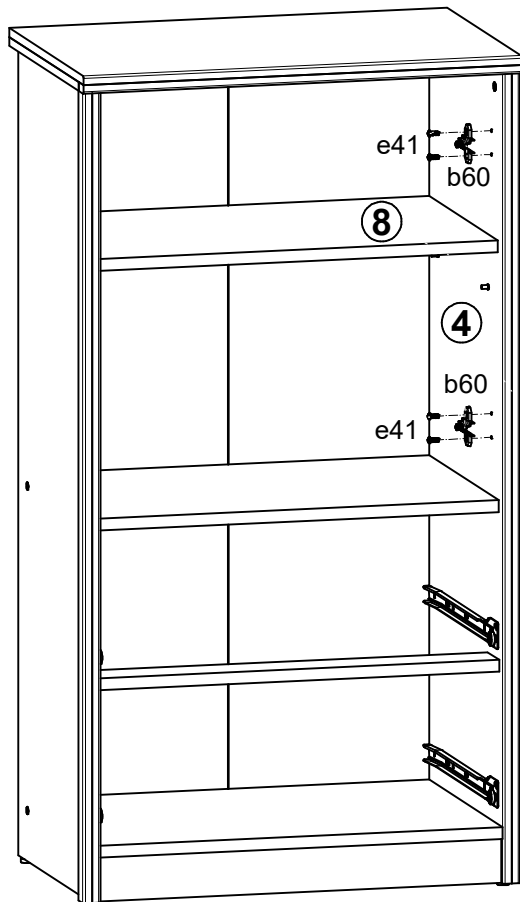
# 6



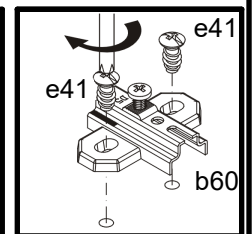
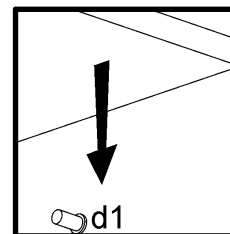
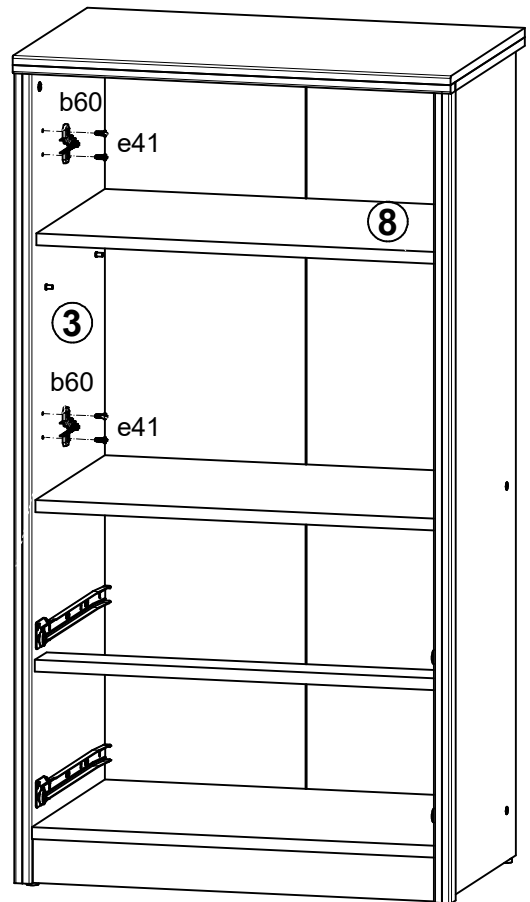
# 7



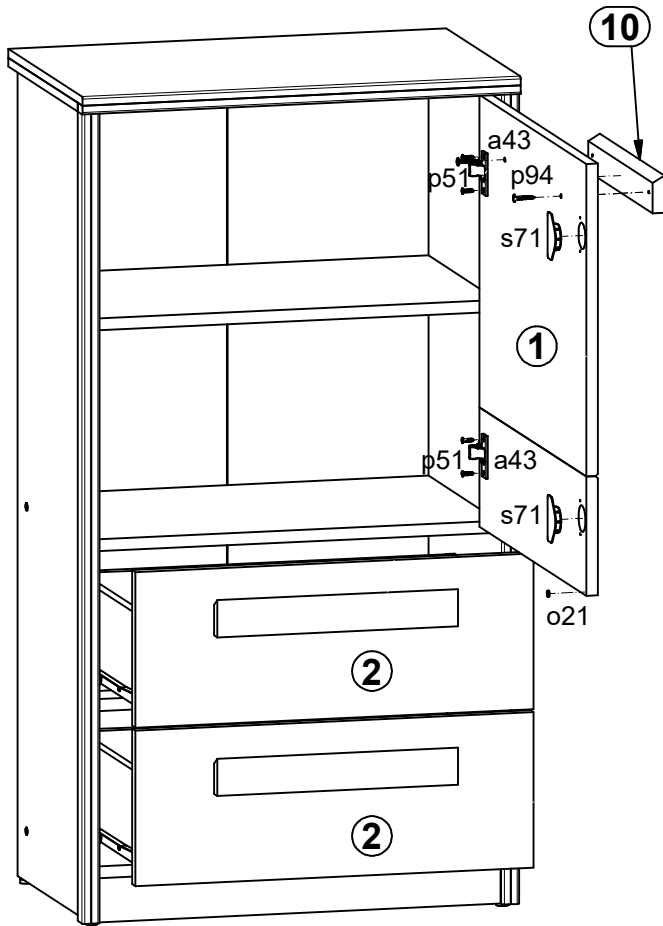
# 8A



# 8B



# 9A



# 9B

