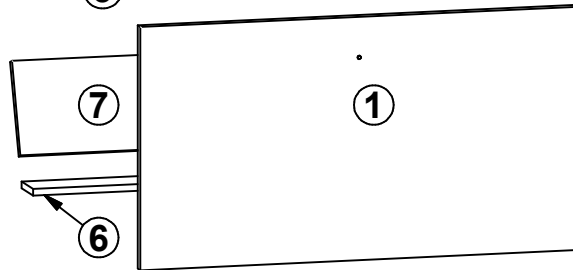
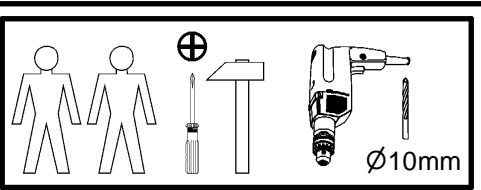
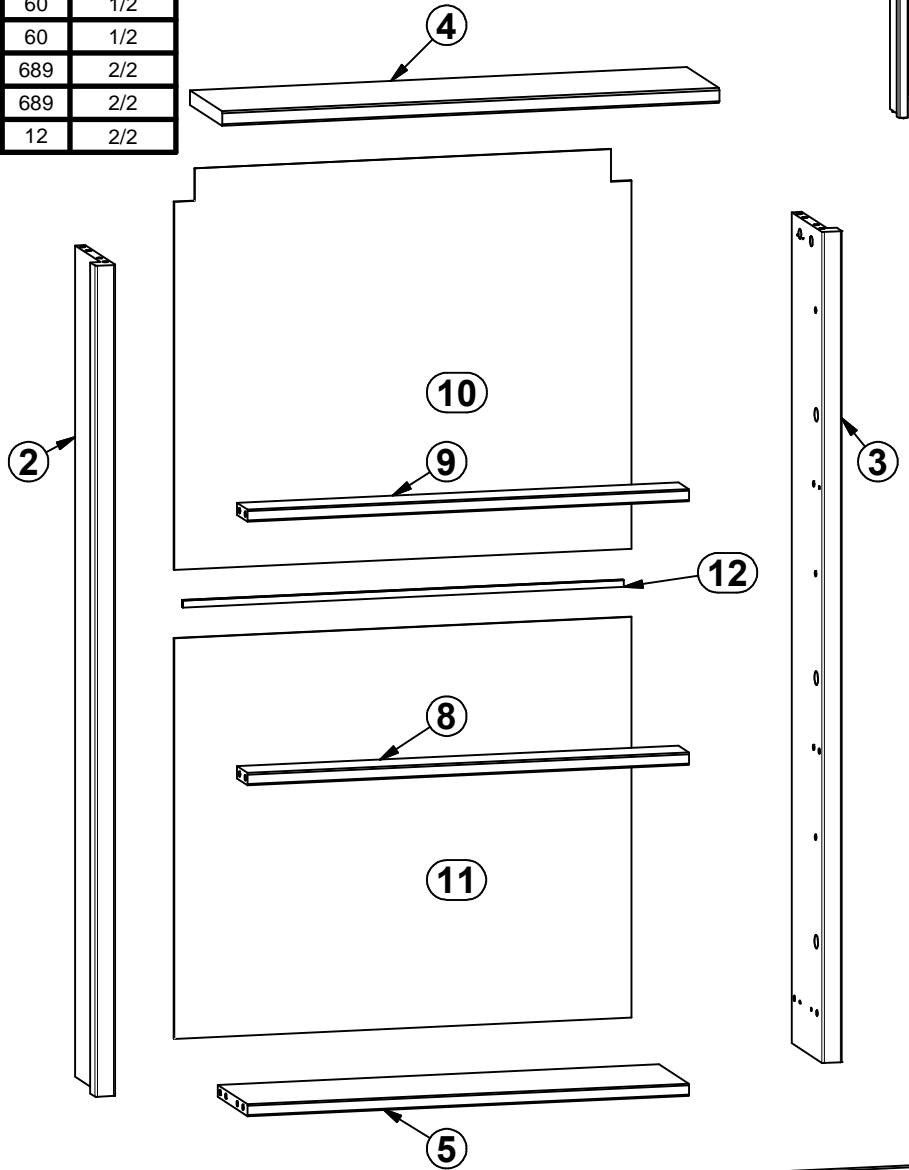
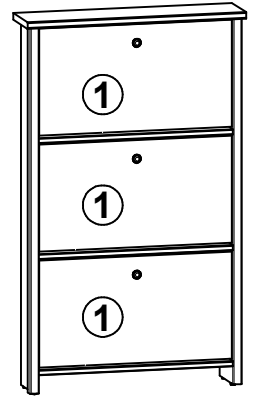
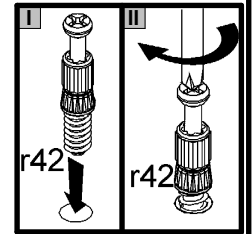
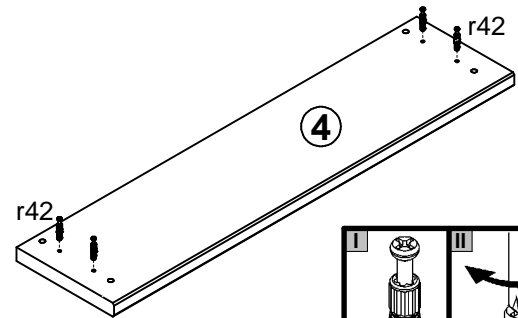
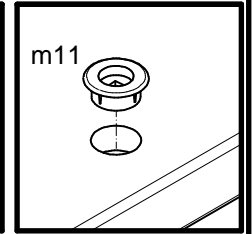
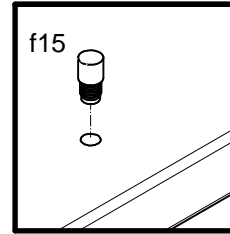
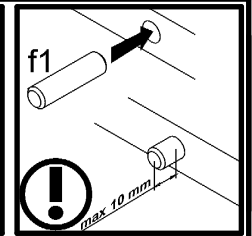
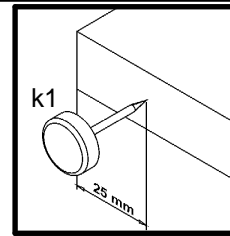
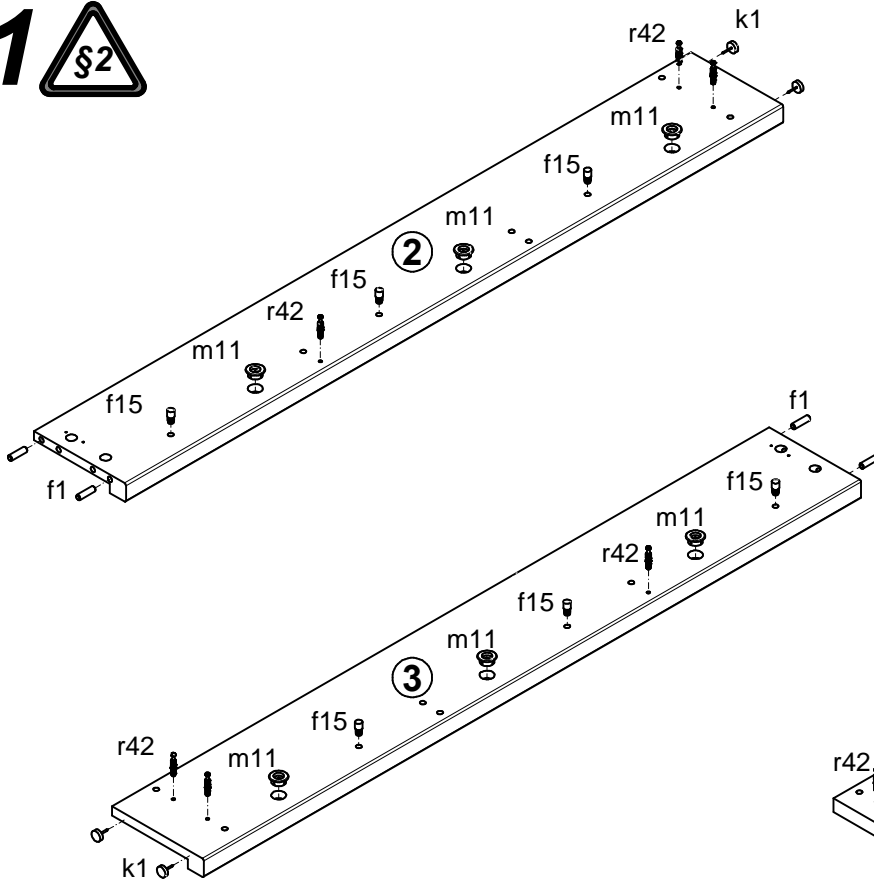


A	B	C	D
1	S322-032	660	360 2/2
2	S322-148	1230	172 1/2
3	S322-149	1230	172 1/2
4	S322-217	749	183 1/2
5	S322-332	665	169 1/2
6	S322-421	653	65 1/2
7	S322-422	653	140 1/2
8	S322-423	665	60 1/2
9	S322-424	665	60 1/2
10	S322-940	593	689 2/2
11	S322-941	593	689 2/2
12	lh-664	664	12 2/2

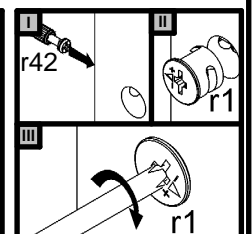
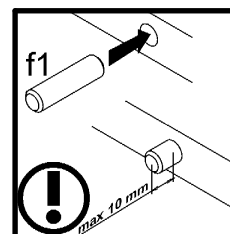
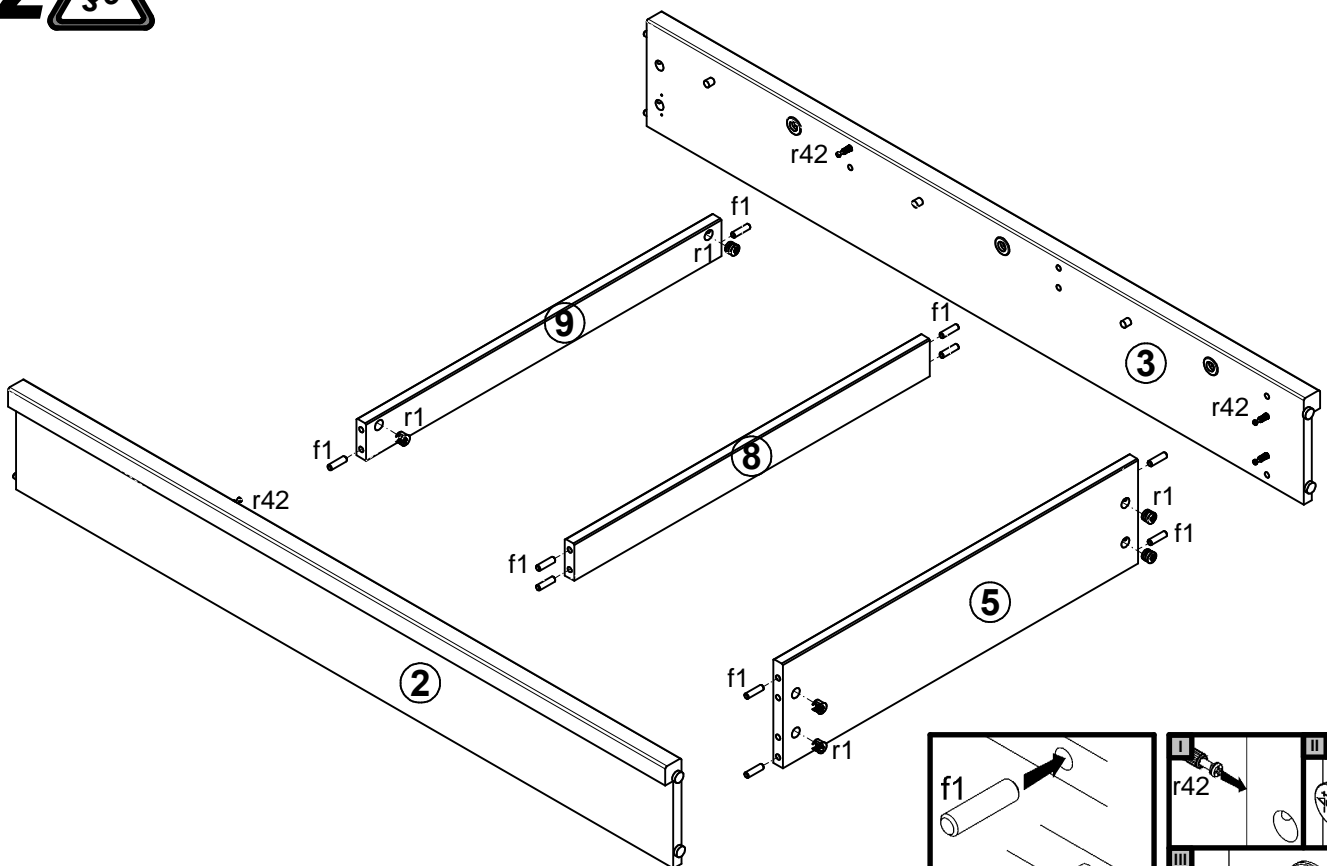


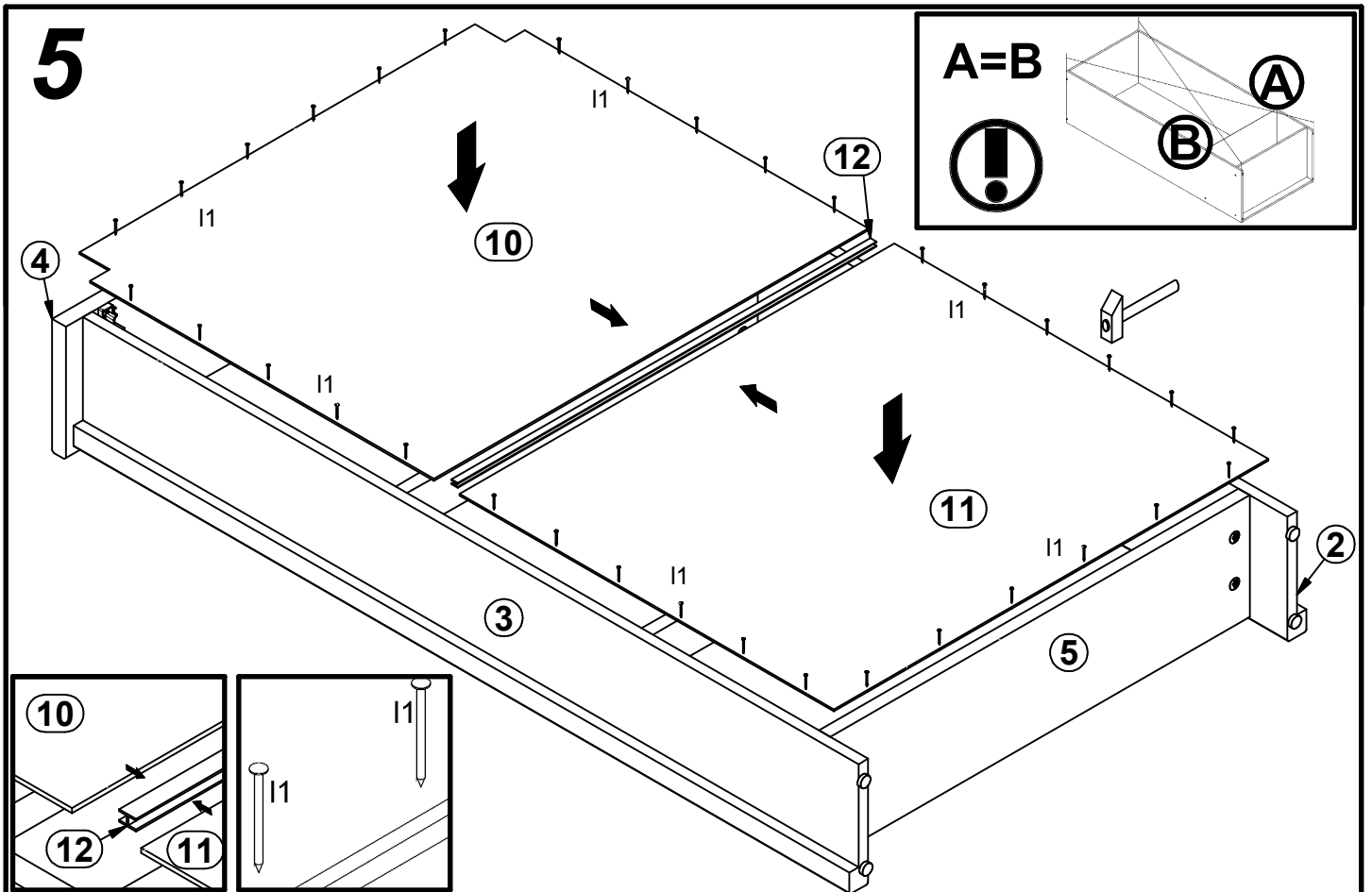
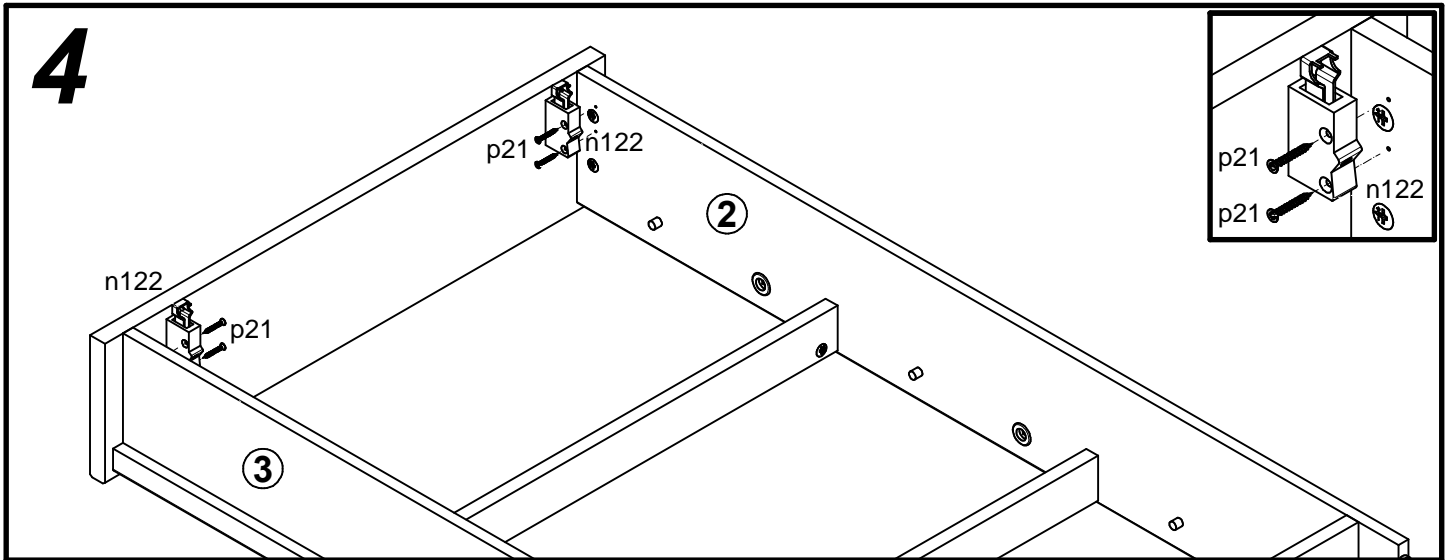
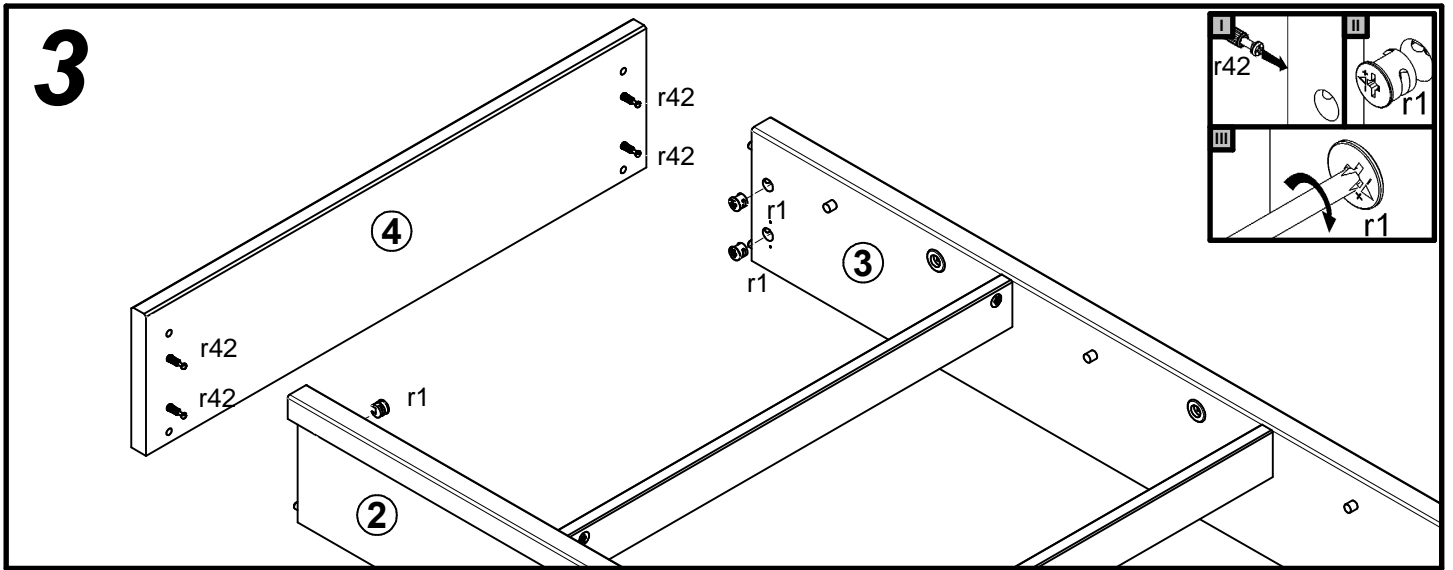
3x M4 c415	24x Ø6.3x13 mm e2	14x Ø8x30 mm f1	6x f15	2x Ø10x50 mm f35	3x M4x20 mm j1	4x k1	40x l1	6x m10
6x m11	3x m18\L	3x m18\p	2x n122	2x Ø6x60 mm p127	24x Ø2.5x13 mm p15	4x Ø4x30 mm p21	10x Ø15x12 mm #16 r1	10x r42
2x Ø16 s2								

1 

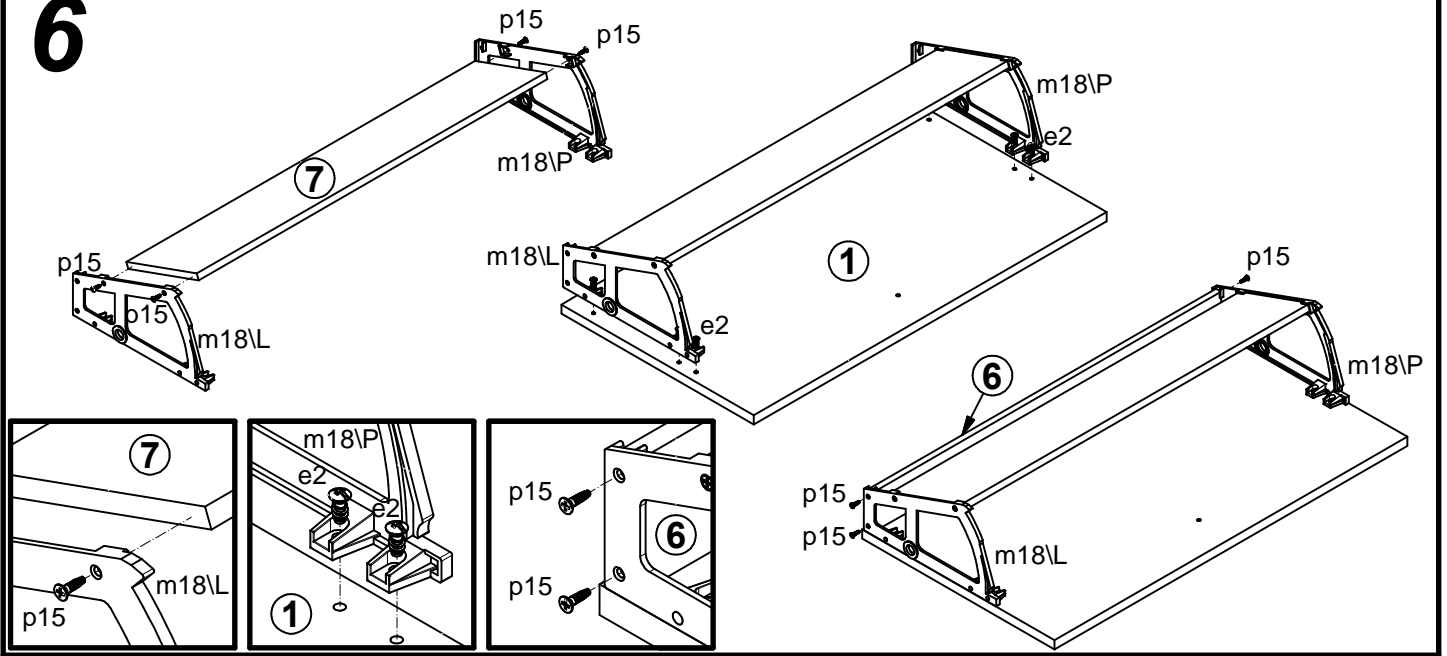


2 





6



7

