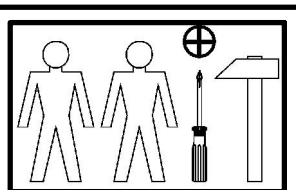
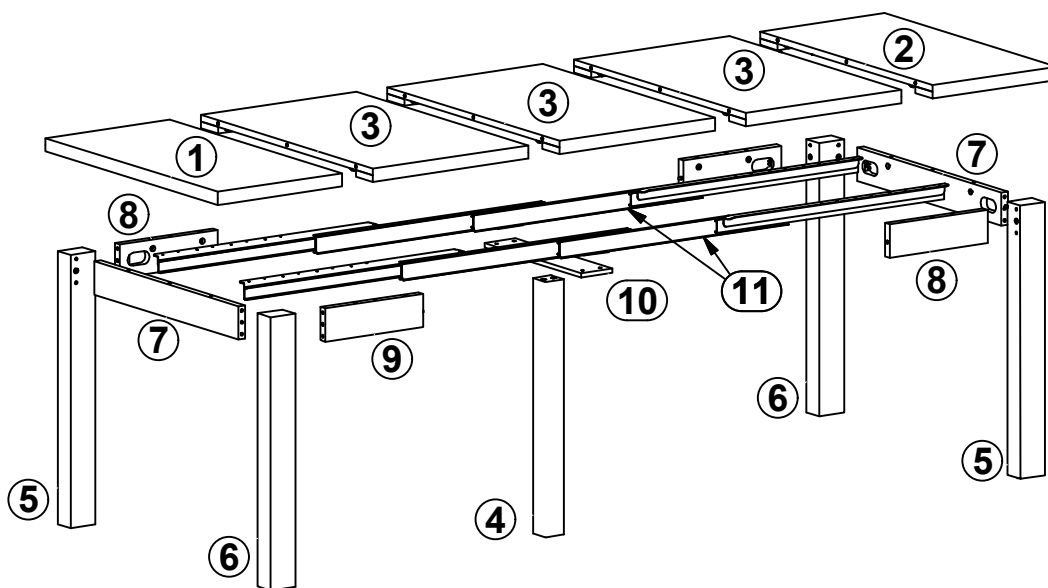
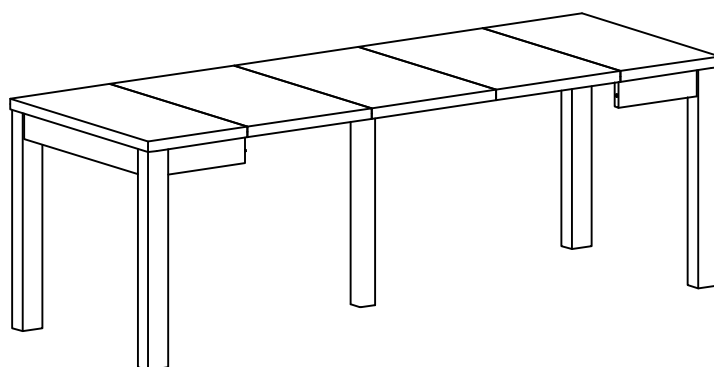
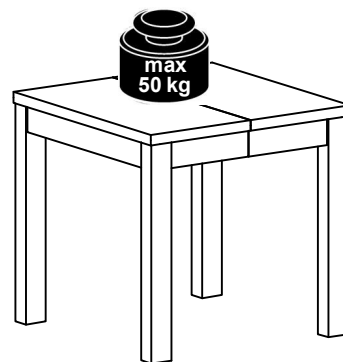


STOŁY

D09041-TXS

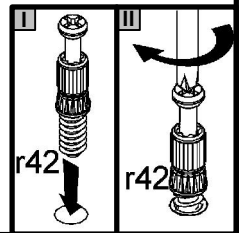
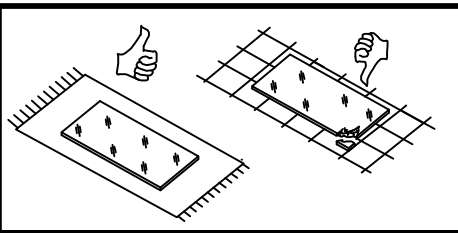
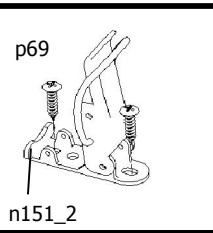
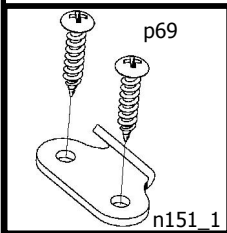
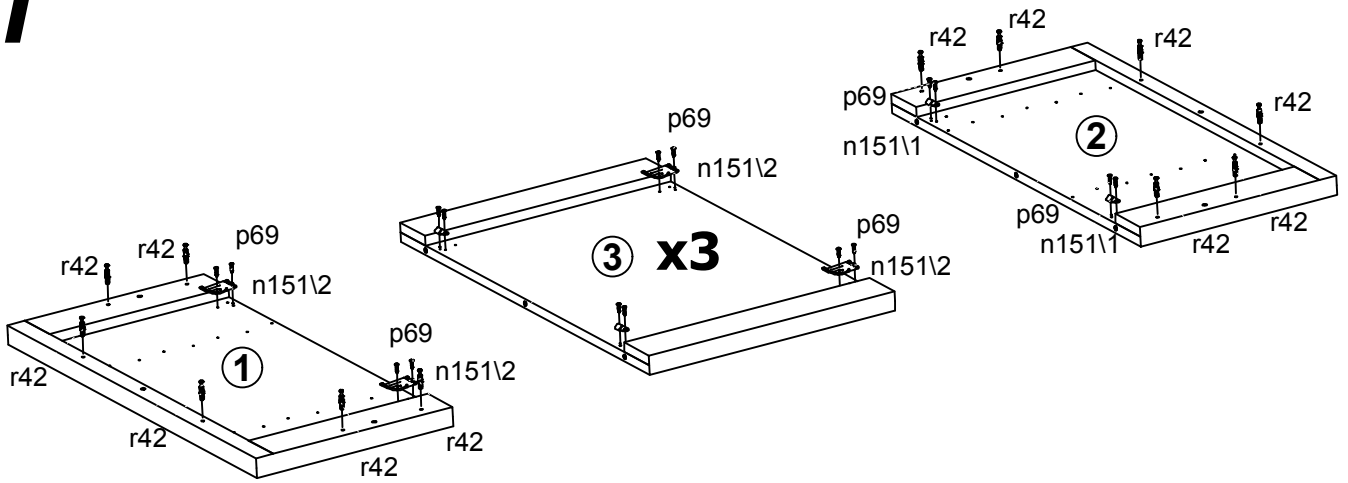
BAKLAWA

A	B	C	D	
1	D09041-201	800	400	1/2
2	D09041-202	800	400	1/2
3	D09041-203	800	500	1/2
4	D09041-101	693	60	2/2
5	D09041-102	740	80	2/2
6	D09041-103	740	80	2/2
7	D09041-401	670	90	2/2
8	D09041-402	315	90	2/2
9	D09041-403	315	90	2/2
10	D09041-706	450	100	2/2
11	w207			2/2

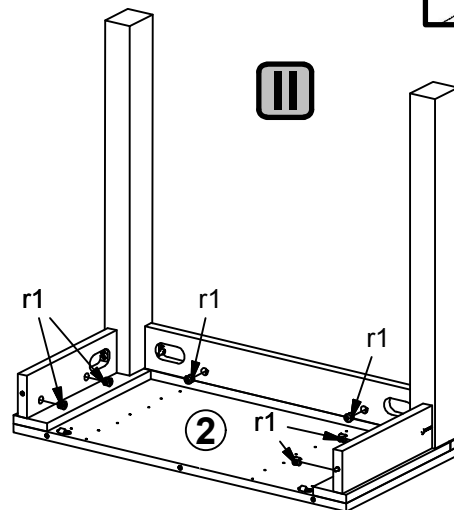
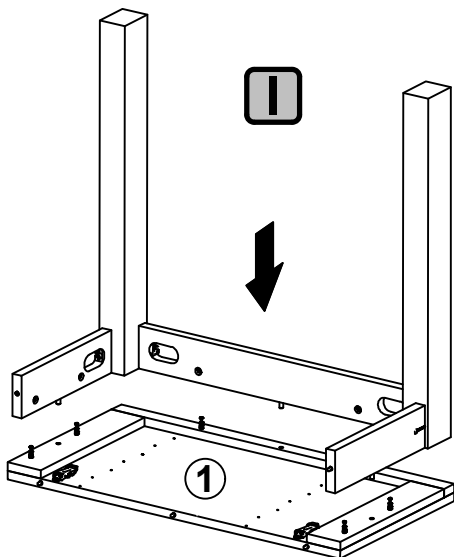
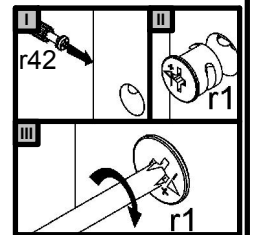
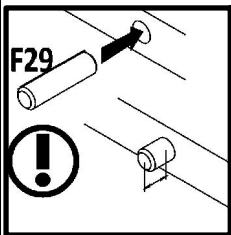
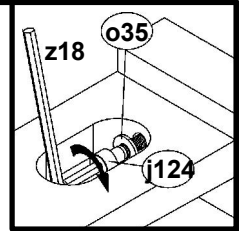
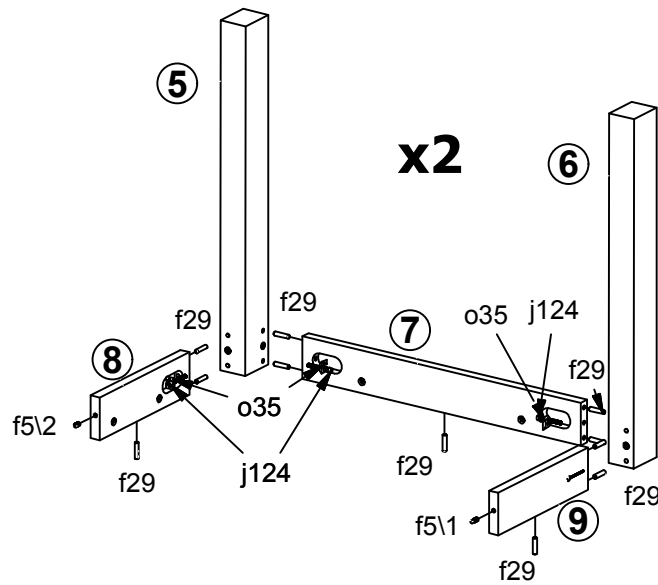


22 Ø8x35 mm f29	12 r1	8 m6x50mm j124	8 o35	2 metalowy f5/1	2 metalowy f5/2	60 Ø4x16 mm p69	9 k1
8 n151 1	8 n151 2	2 m6x25 mm j145	12 r42	4 m6x16 mm j185	1 5 mm z18	1 4 mm z15	

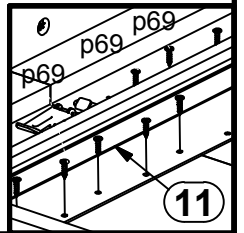
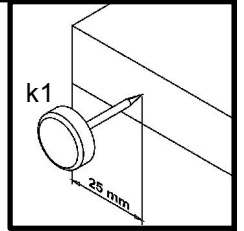
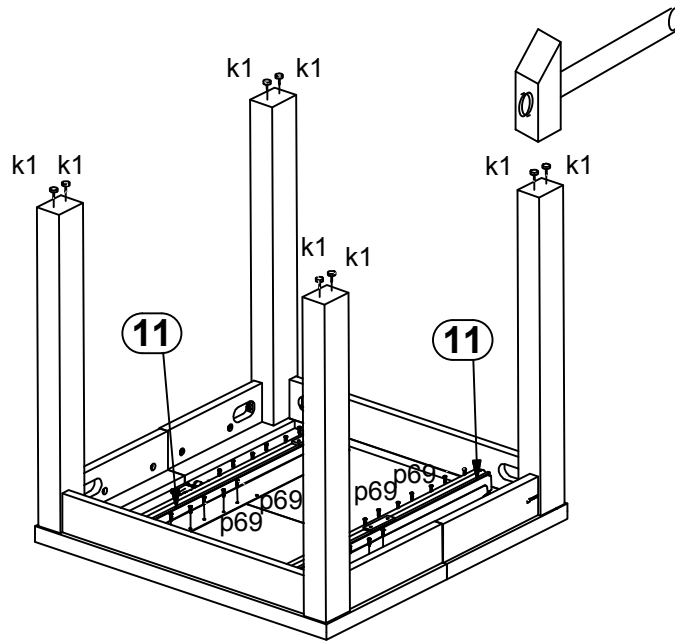
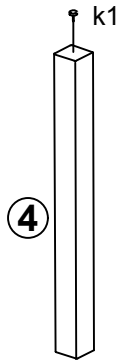
1



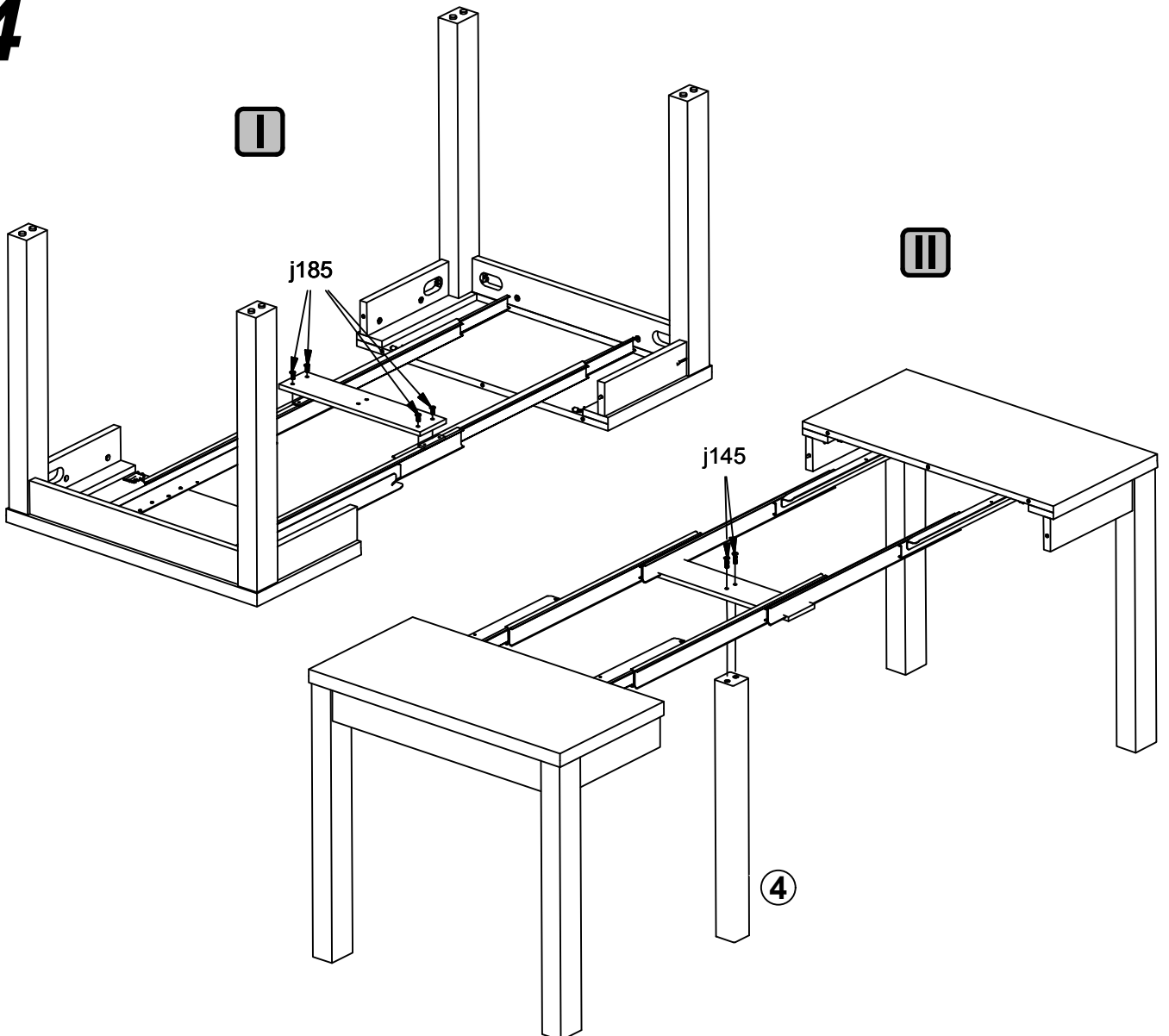
2



3

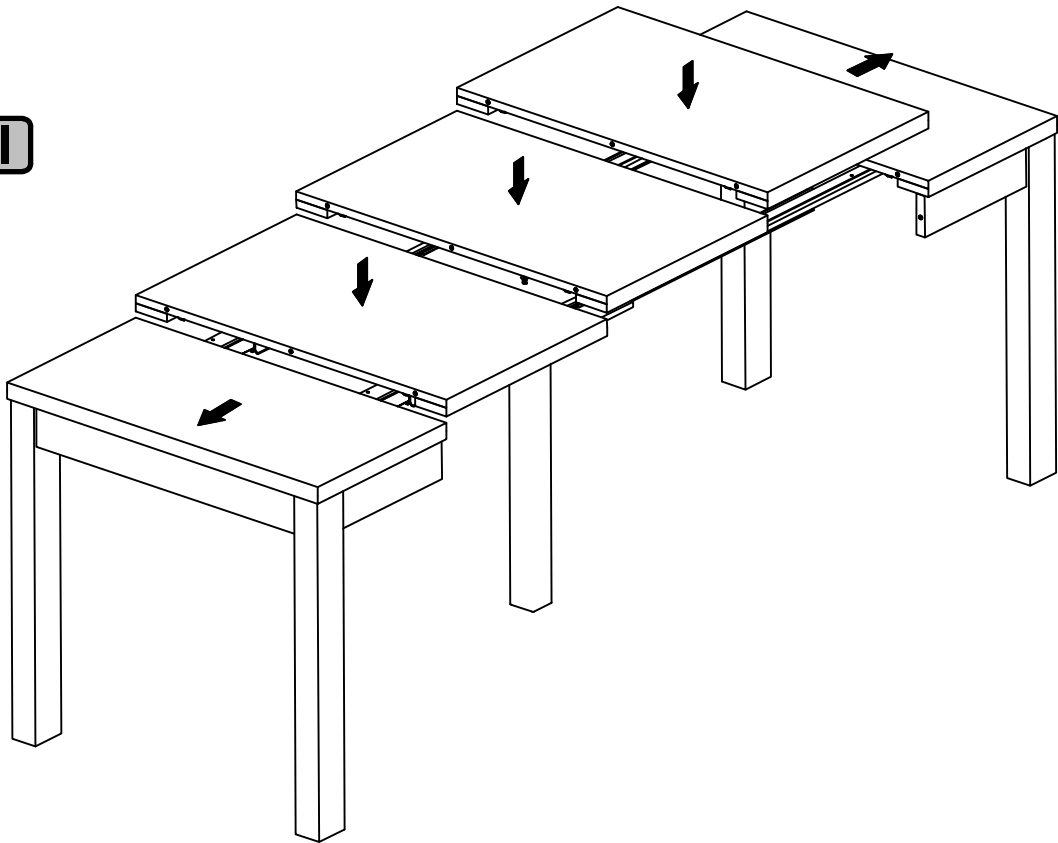


4

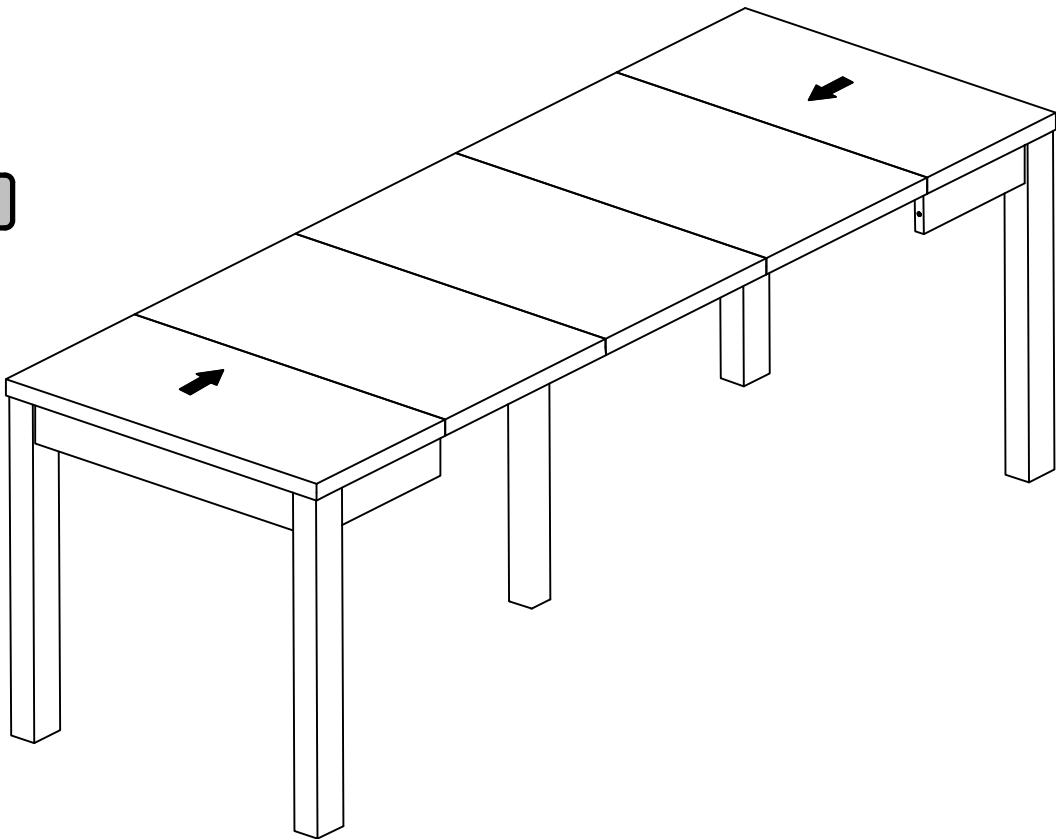


5

I



II



6

