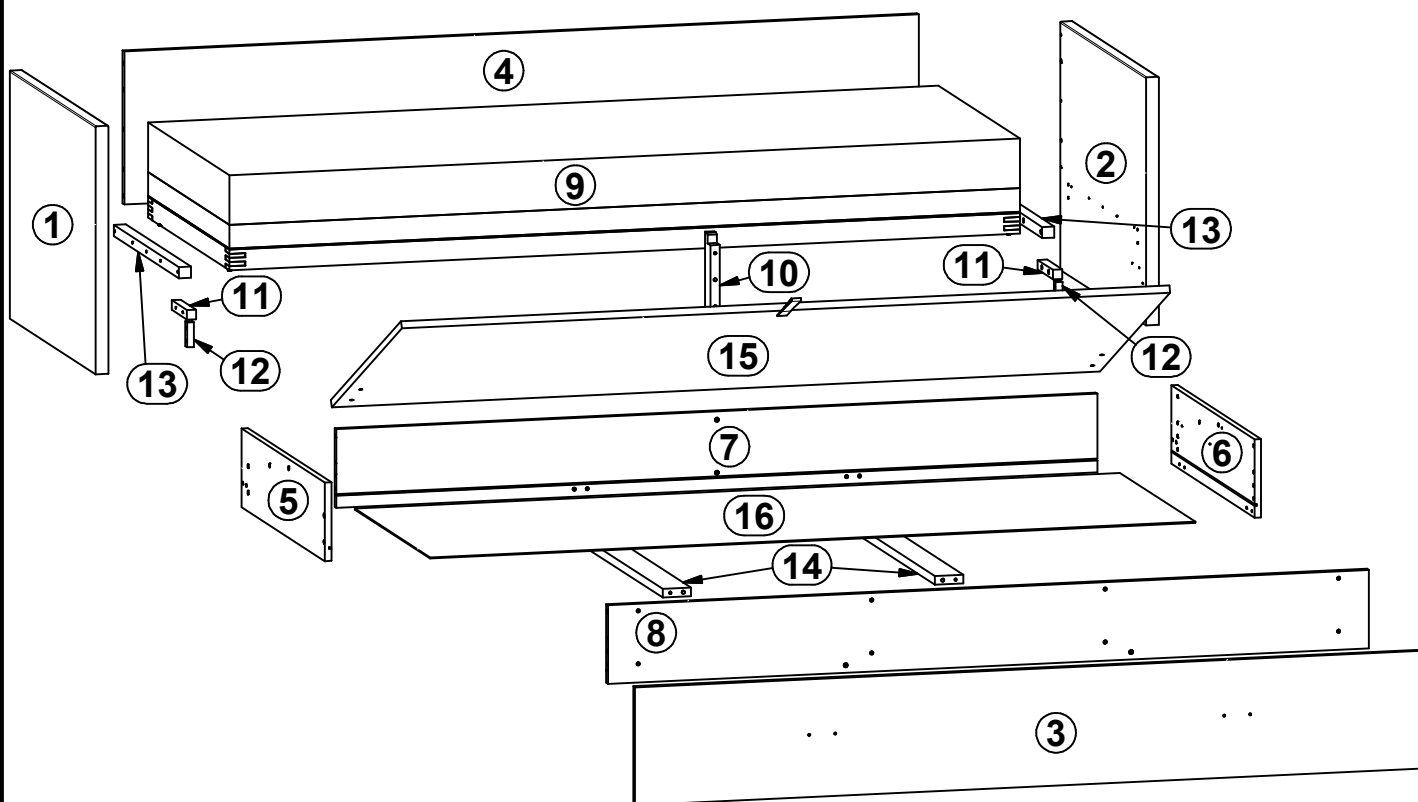
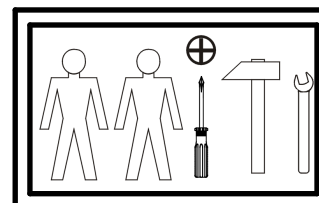
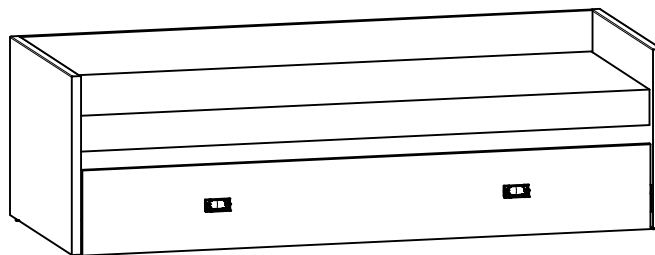
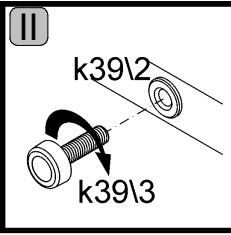
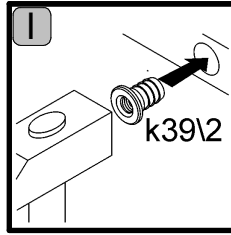
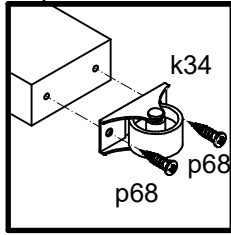
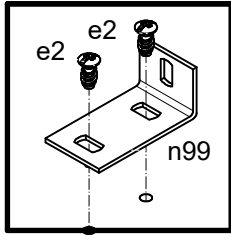
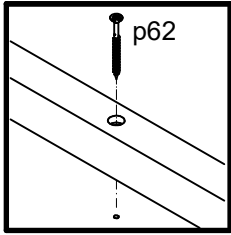
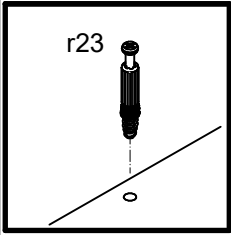
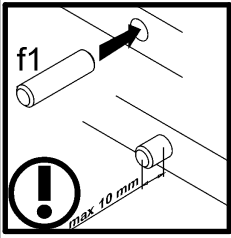
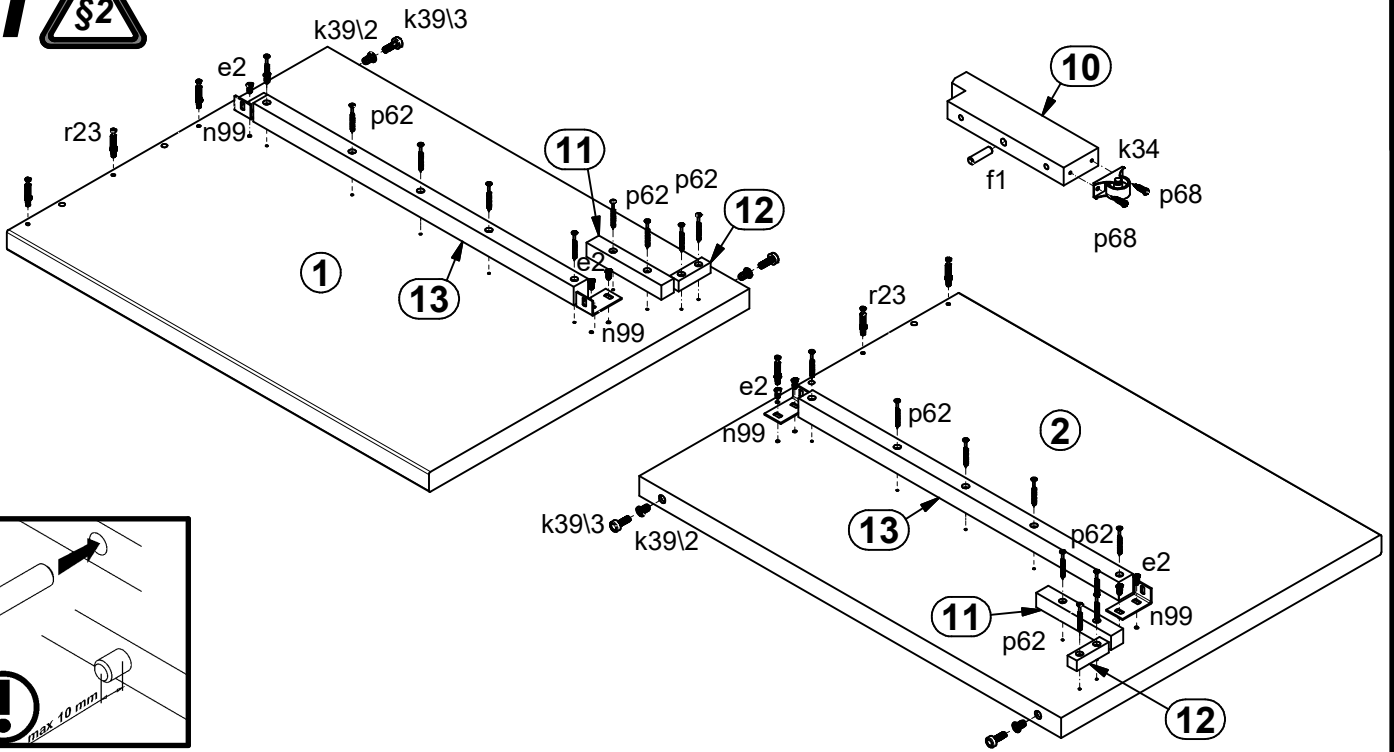


A	B	C	D
1	S325-016	790	600
2	S325-017	790	600
3	S325-019	1948	285
4	S325-411	1960	370
5	S325-412	767	190
6	S325-413	767	190
7	S325-414	1878	190
8	S325-415	1878	190
9	ZZ1-401	1950	1500
10	ZZ1-402	198	52
11	ZZ1-403	140	23
12	ZZ1-405	60	17
13	ZZ1-406	600	27
14	ZZ1-407	684	70
15	ZZ1-408	1896	712
16	ZZ1-903	1888	694

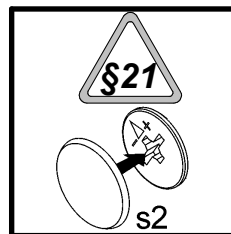
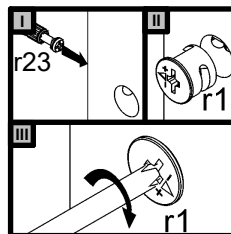
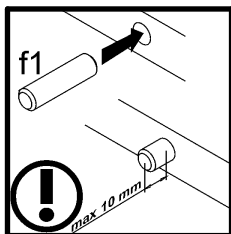
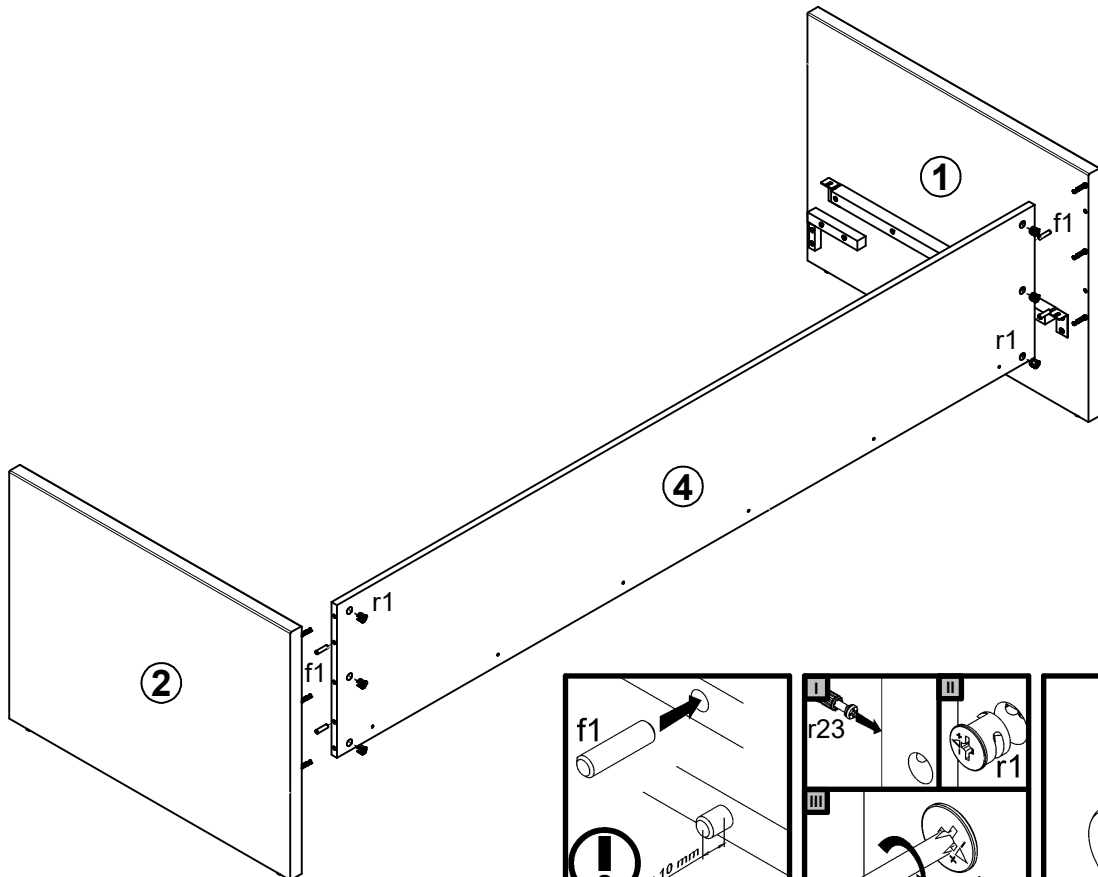


2x 64 mm c417	14x φ7x50 mm e1	16x φ6,3x13 mm e2	8x φ7x28 mm e22	17x φ8x30 mm f1	4x M4x22 mm j60	4x M6x30 mm j9	16x M6 j10	8x M6x25 mm j96
1x k34	4x M6φx14 mm k39\2	4x M6,22mm k39\3	4x k44	2x m28\1	1x m28\L	1x m28\P	4x 55x30x29\2 mm n99	2x 55x30x20\2 mm n100
8x φ6 mm o6	8x φ6x12\1,4 mm o40	6x φ3,5x13 mm p27	24x φ4x45 mm p62	2x φ4x20 mm p68	6x φ1,5x12mm #16 r1	6x 30\11 r23	8x s1	6x φ16 s2
1x 395mm s7\L	1x 395mm s7\P	1x z1						

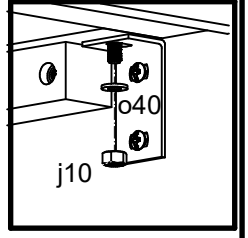
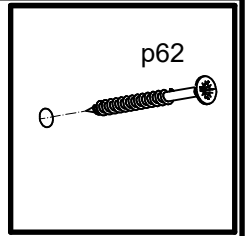
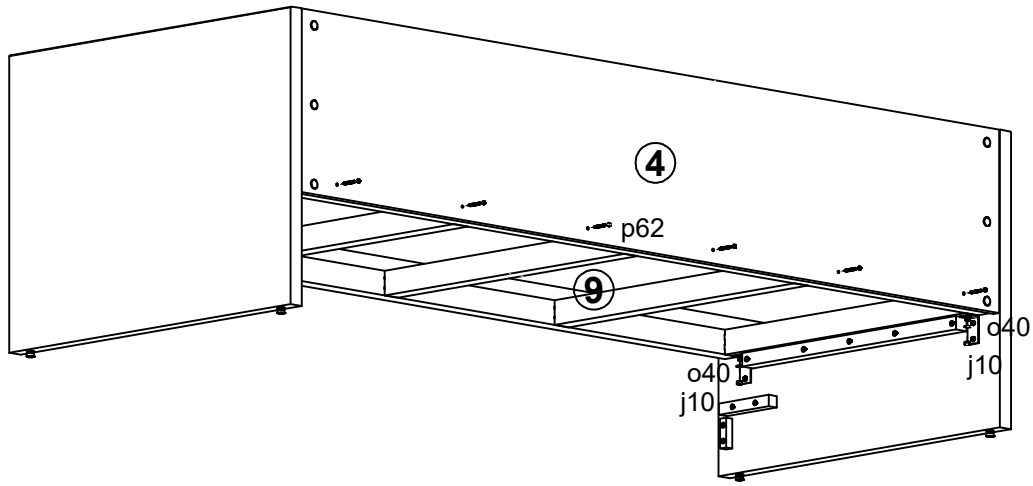
1



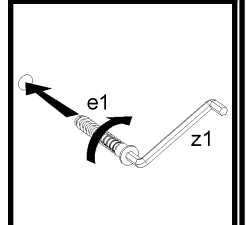
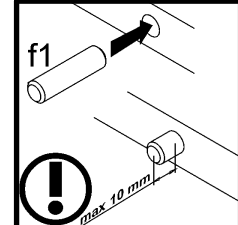
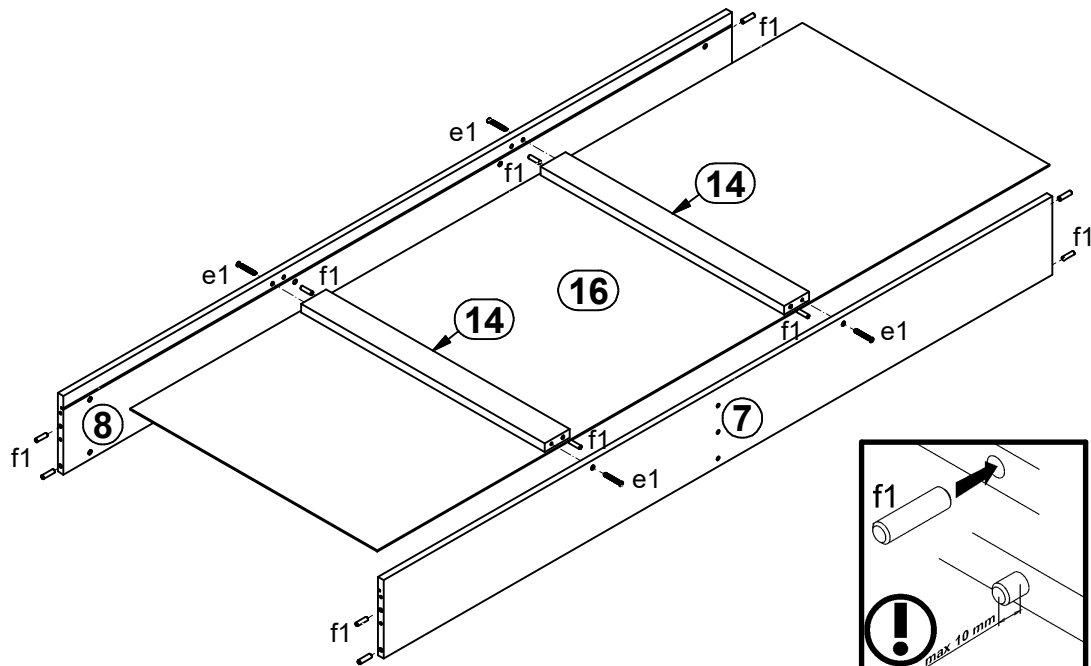
2



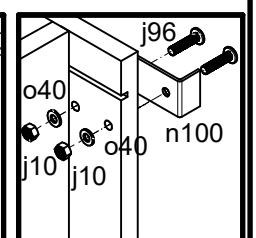
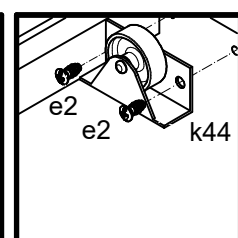
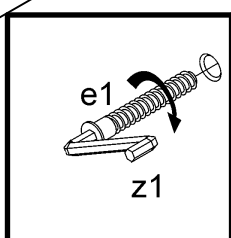
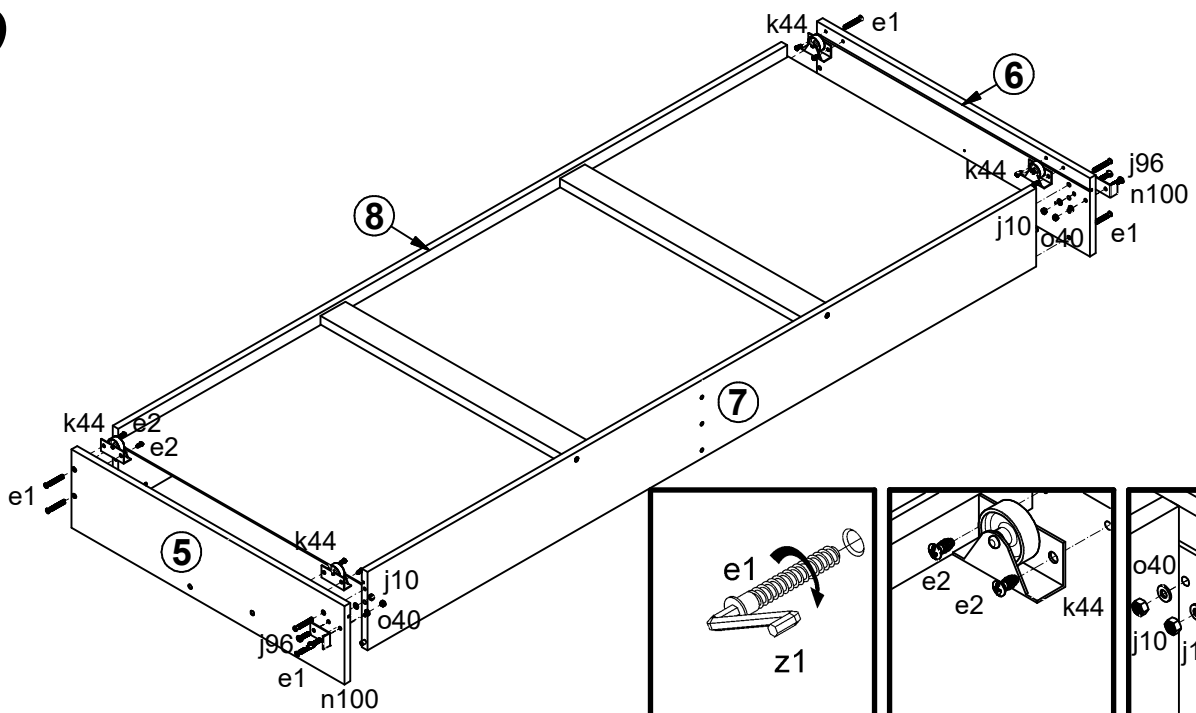
3



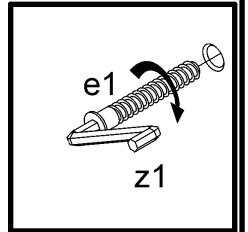
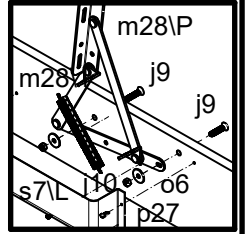
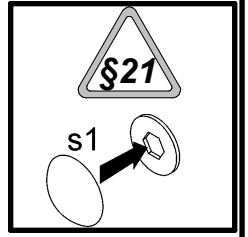
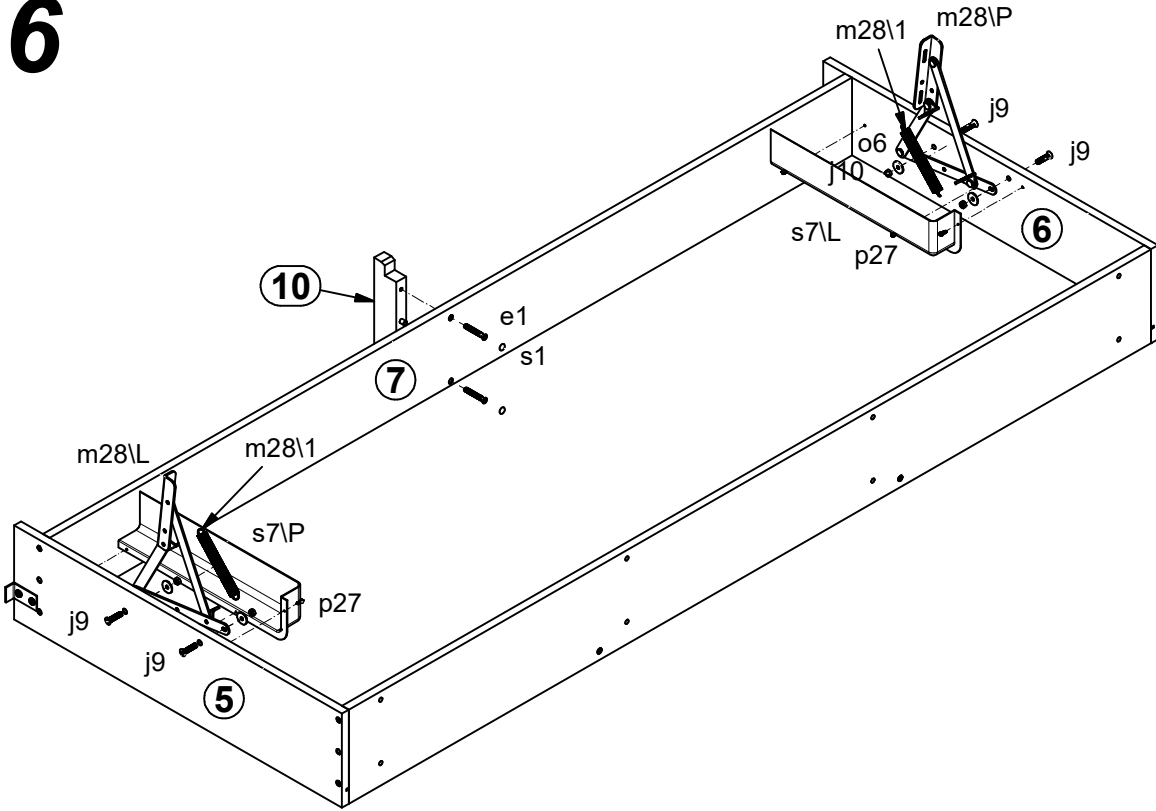
4



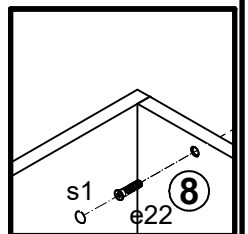
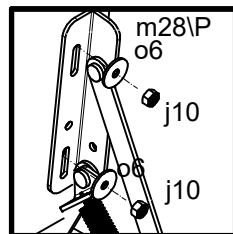
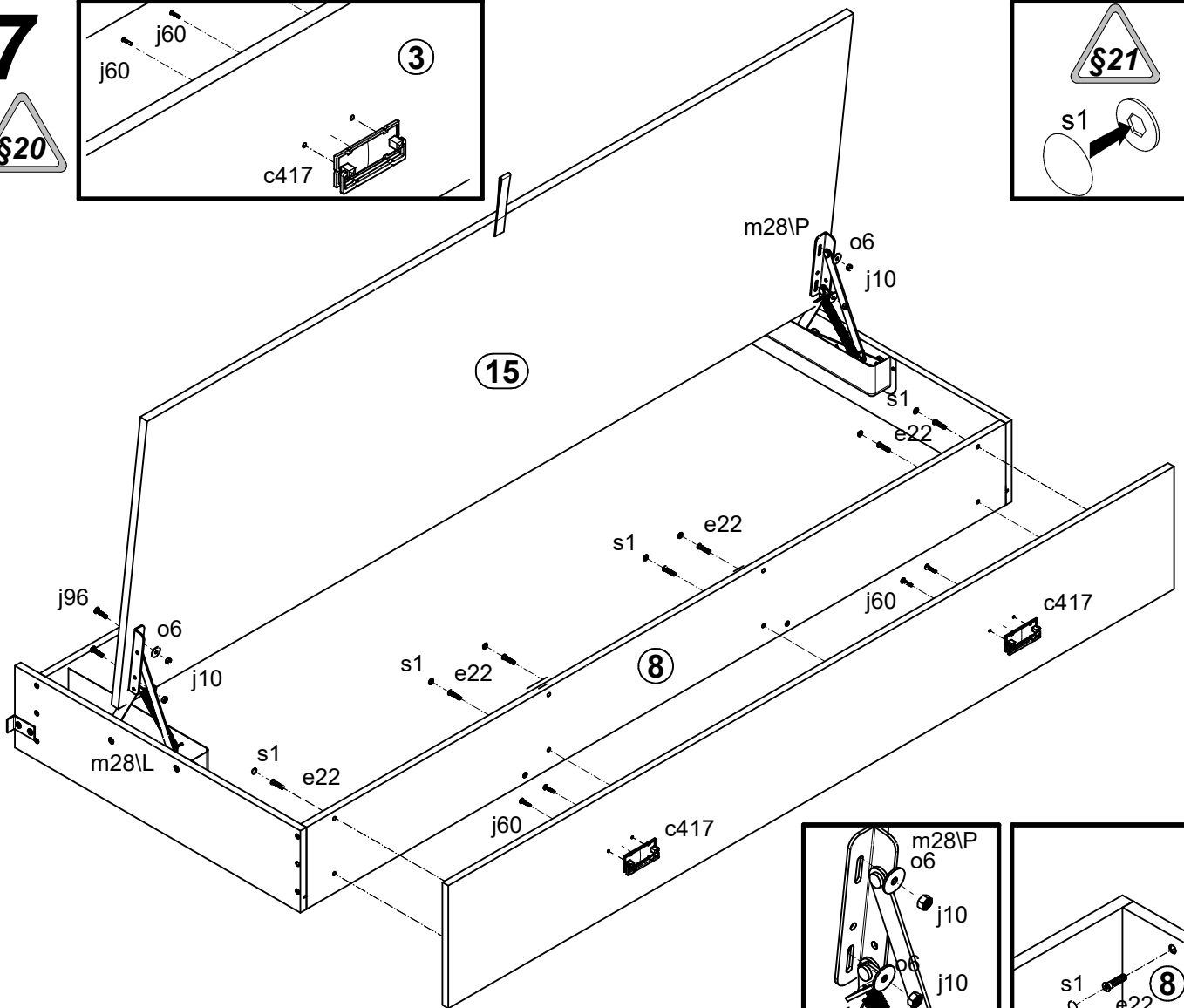
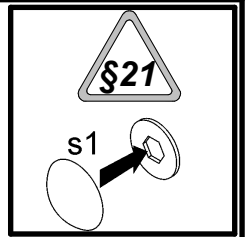
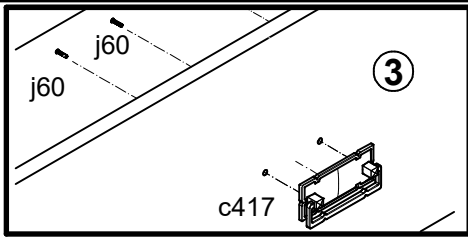
5



6



7



8

