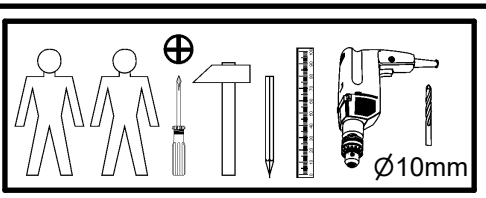
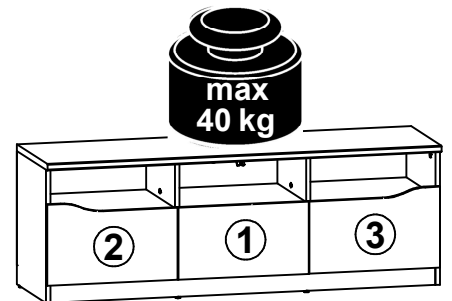
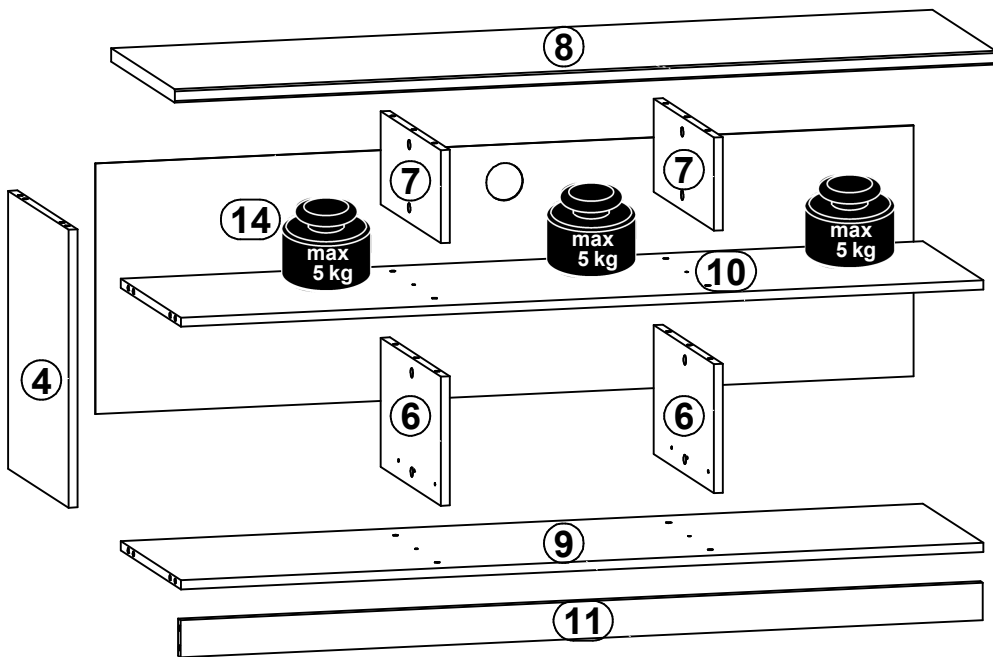
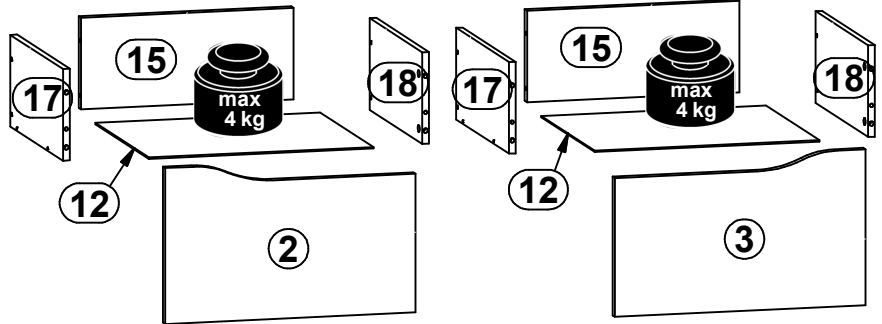
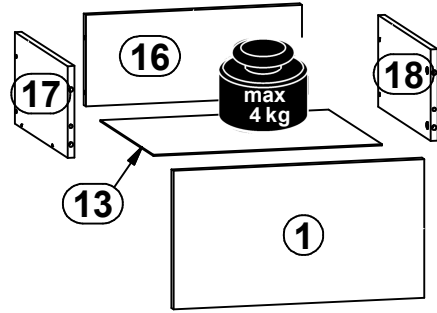
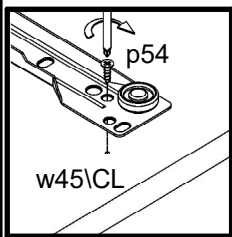
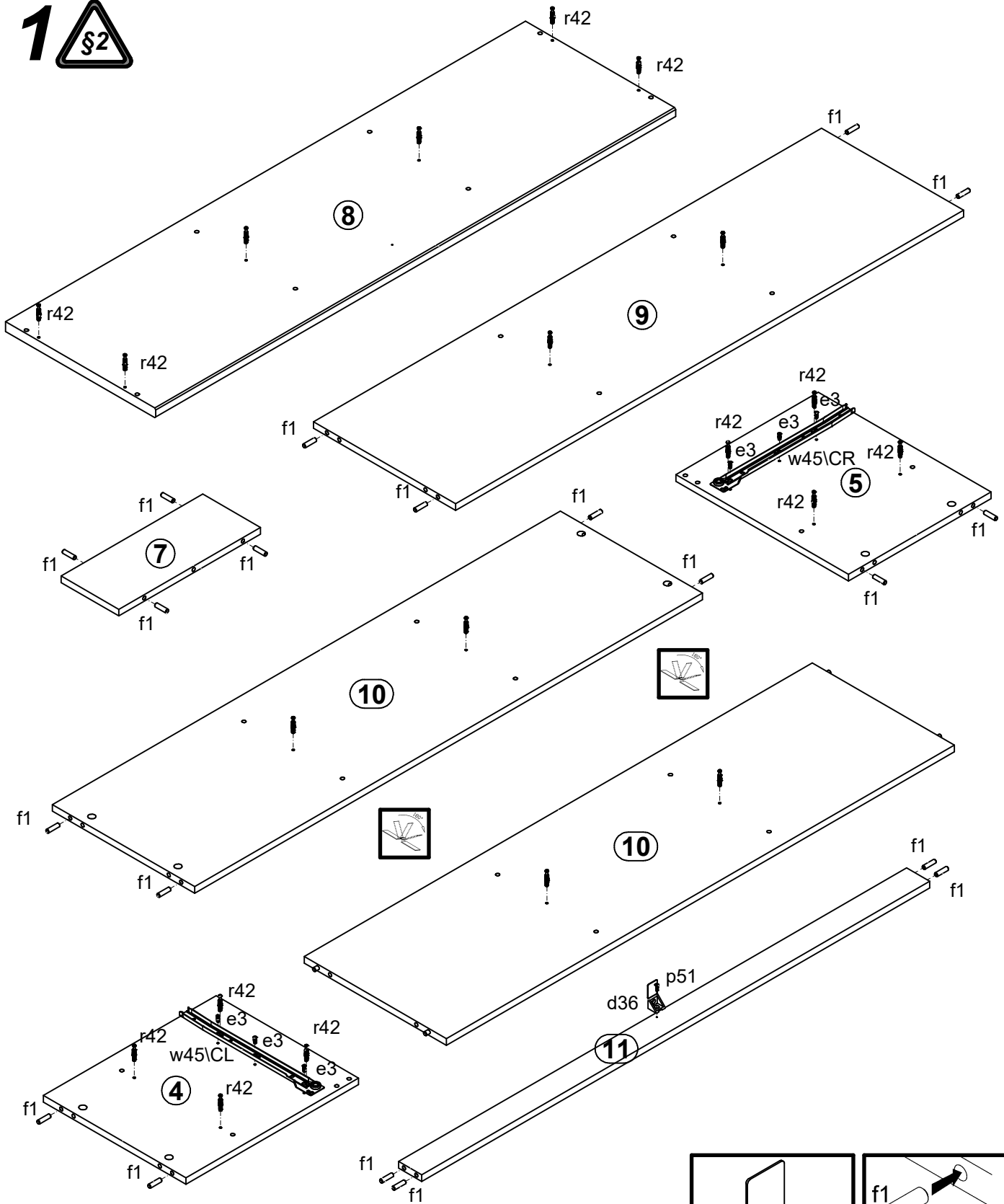


A	B	C	D	
1	S396-0018	446	242	2/2
2	S396-0019	446	272	2/2
3	S396-0020	446	272	2/2
4	S396-1025	448	370	1/2
5	S396-1026	448	370	1/2
6	S396-1027	208	368	1/2
7	S396-1028	150	368	1/2
8	S396-2005	1350	390	2/2
9	S396-3007	1319	369	2/2
10	S396-3008	1319	369	2/2
11	S396-4006	1319	60	2/2
12	S396-9004	400	355	1/2
13	S396-9005	407	355	1/2
14	S396-9006	404	1345	2/2
15	ZS3-5702	378	160	1/2
16	ZS3-5703	385	160	1/2
17	ZS4-537	350	160	1/2
18	ZS4-538	350	160	1/2

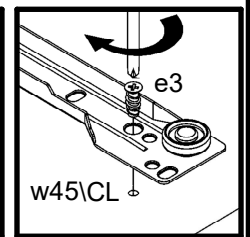
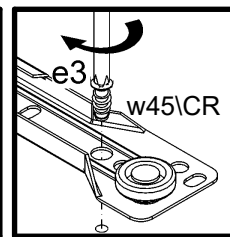
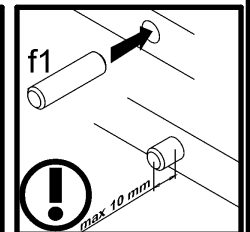
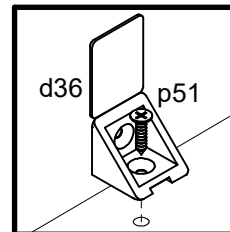
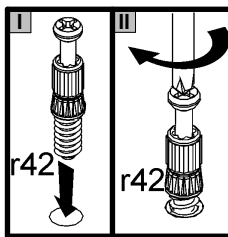
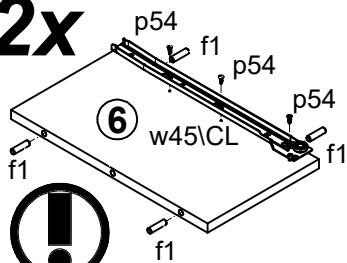


1x d36	12x Ø5x9 mm e19	12x Ø6x13 mm e3	32x Ø8x30 mm f1	6x Ø6x30 mm f9	12x Ø6.5x40 mm f25	6x k1	50x l1	6x silikon o21
9x Ø3.5x16 mm p38	2x Ø3.5x15 mm p51	6x Ø3x12 mm p54	20x Ø15x12 mm #16 r1	12x Ø12x10.5 mm #12 r15	32x 20/11 r42	8x Ø16 s2	3x 350 mm w45 CL	3x 350 mm w45 CR
3x 350 mm w45 DL	3x 350 mm w45 DR					1x n26 1	1x Ø3.5x16 mm p38	

1 



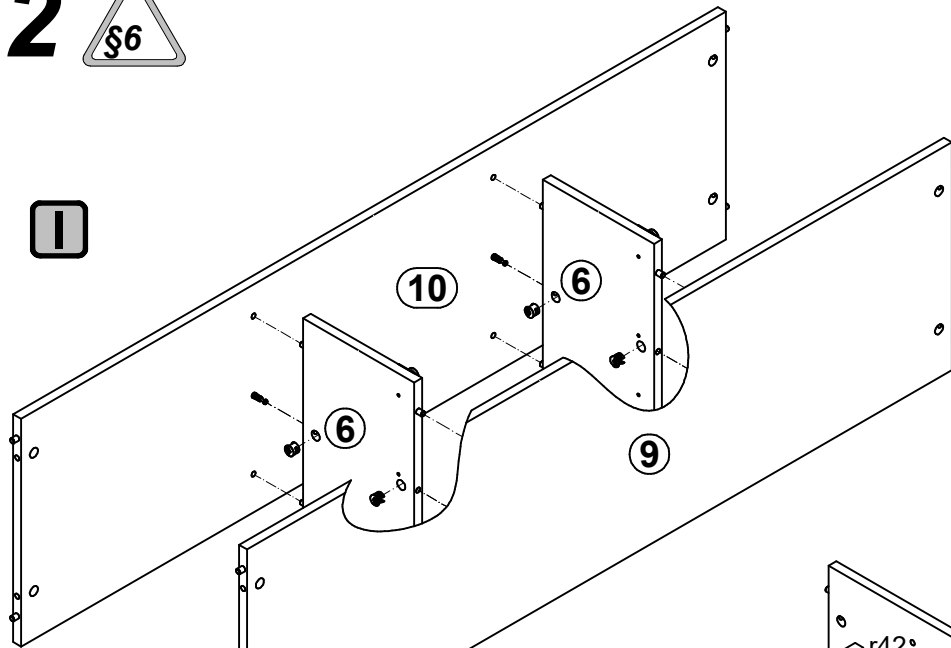
2x



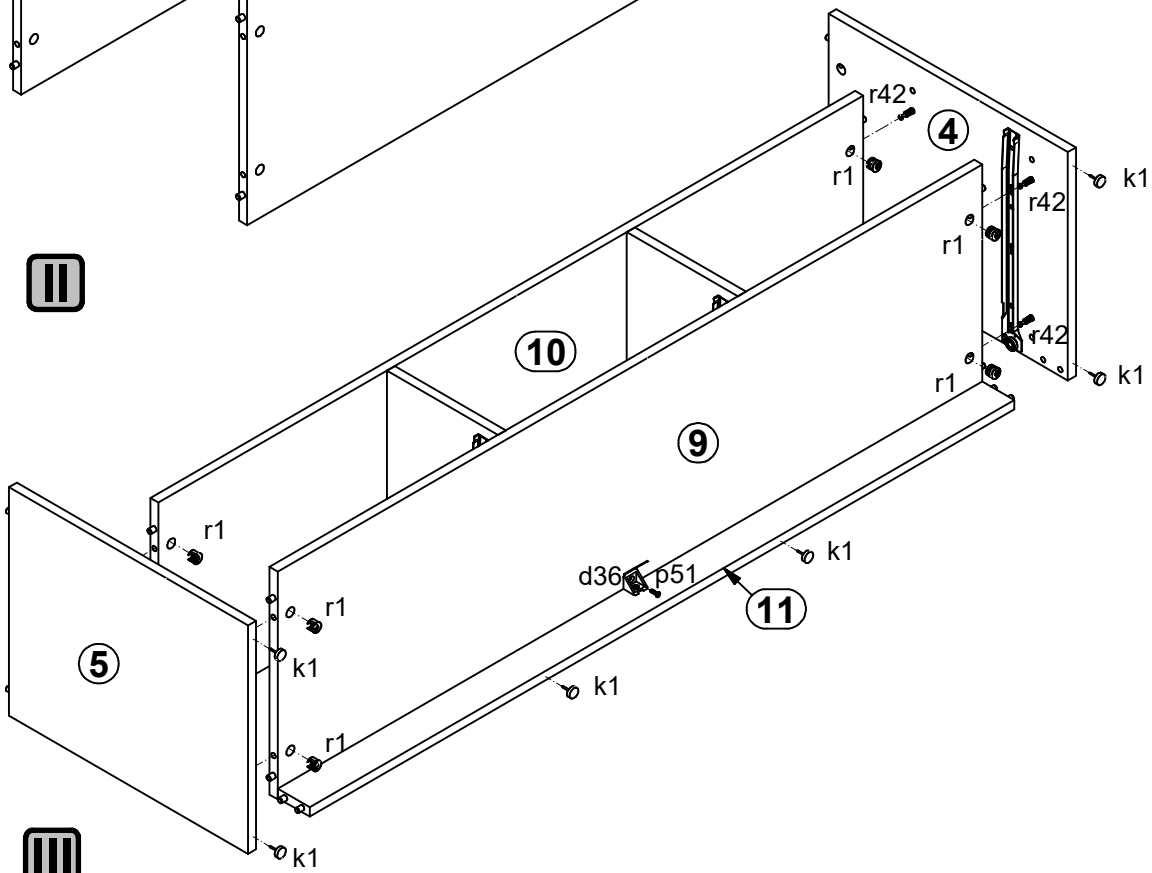
2



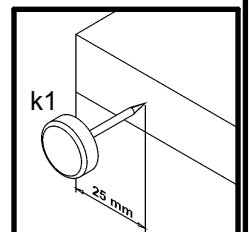
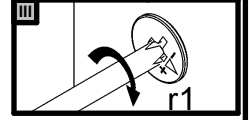
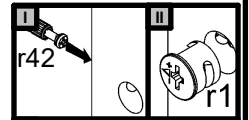
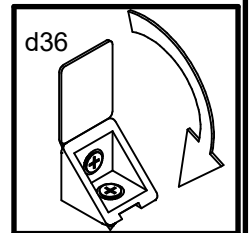
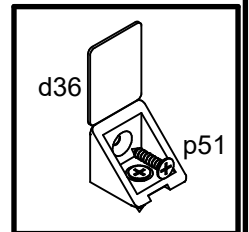
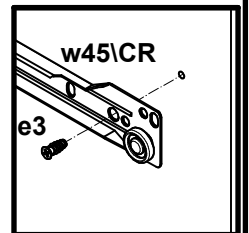
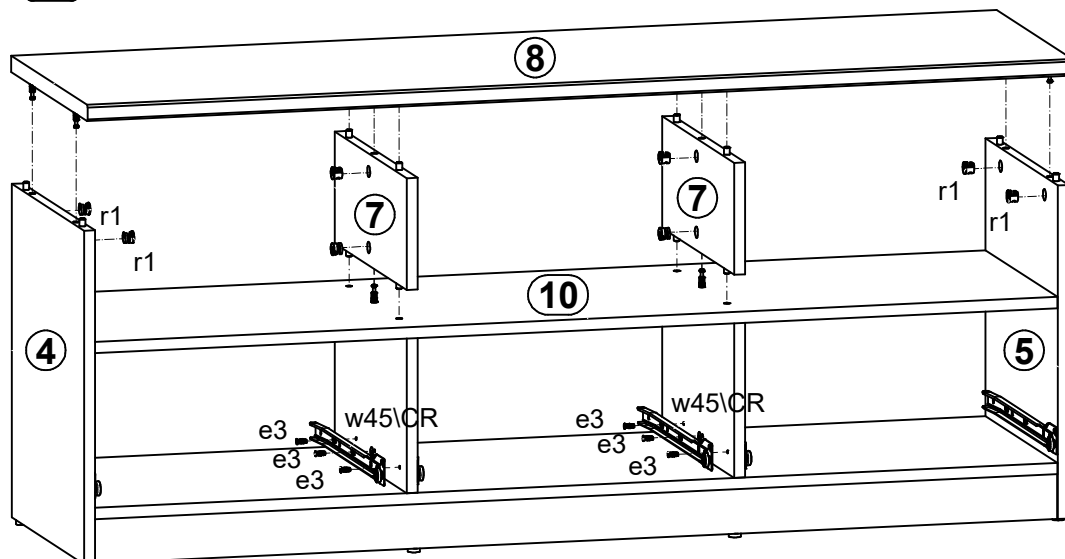
I



II



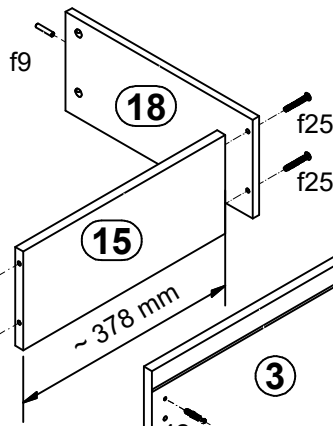
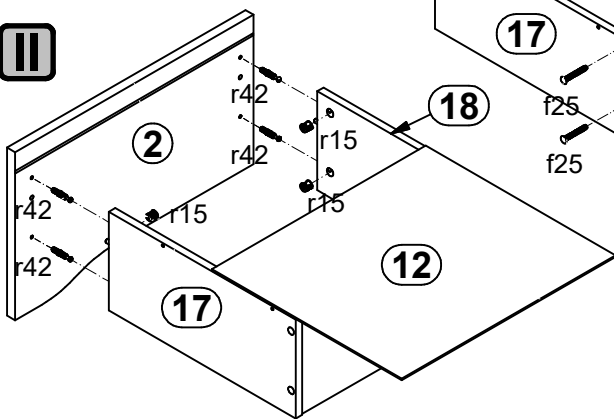
III



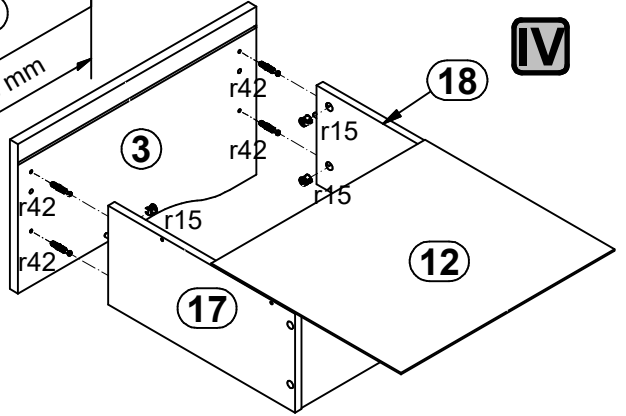
3

2x I

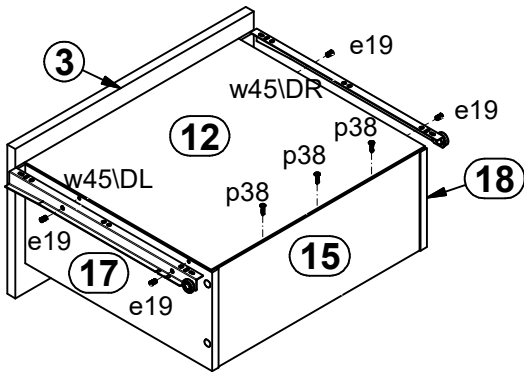
II



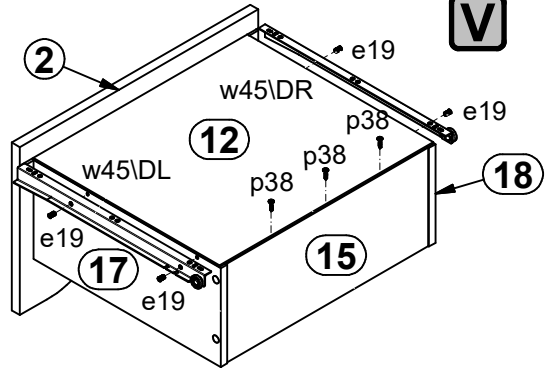
IV



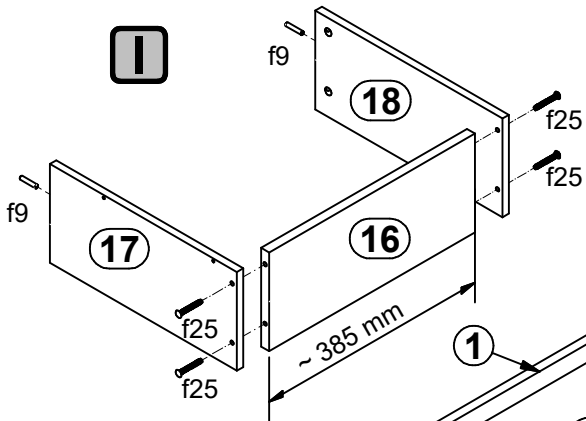
III



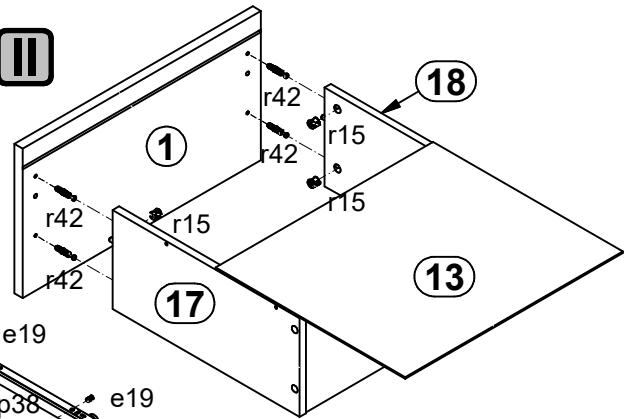
V



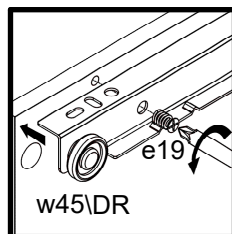
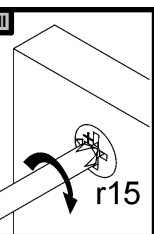
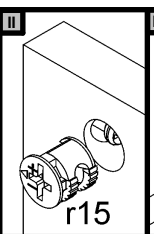
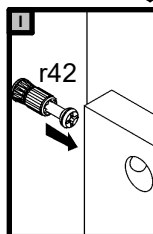
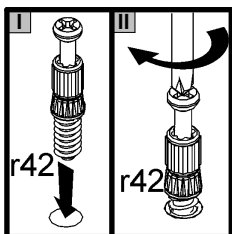
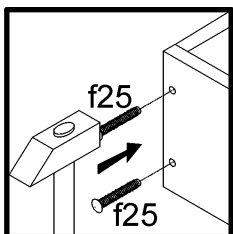
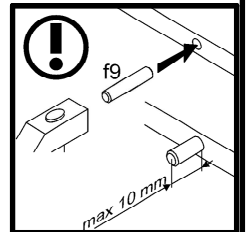
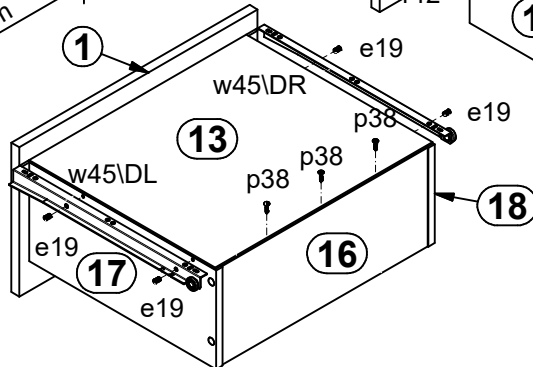
I



II



III



4

