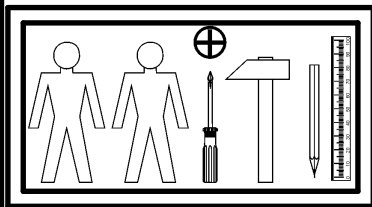
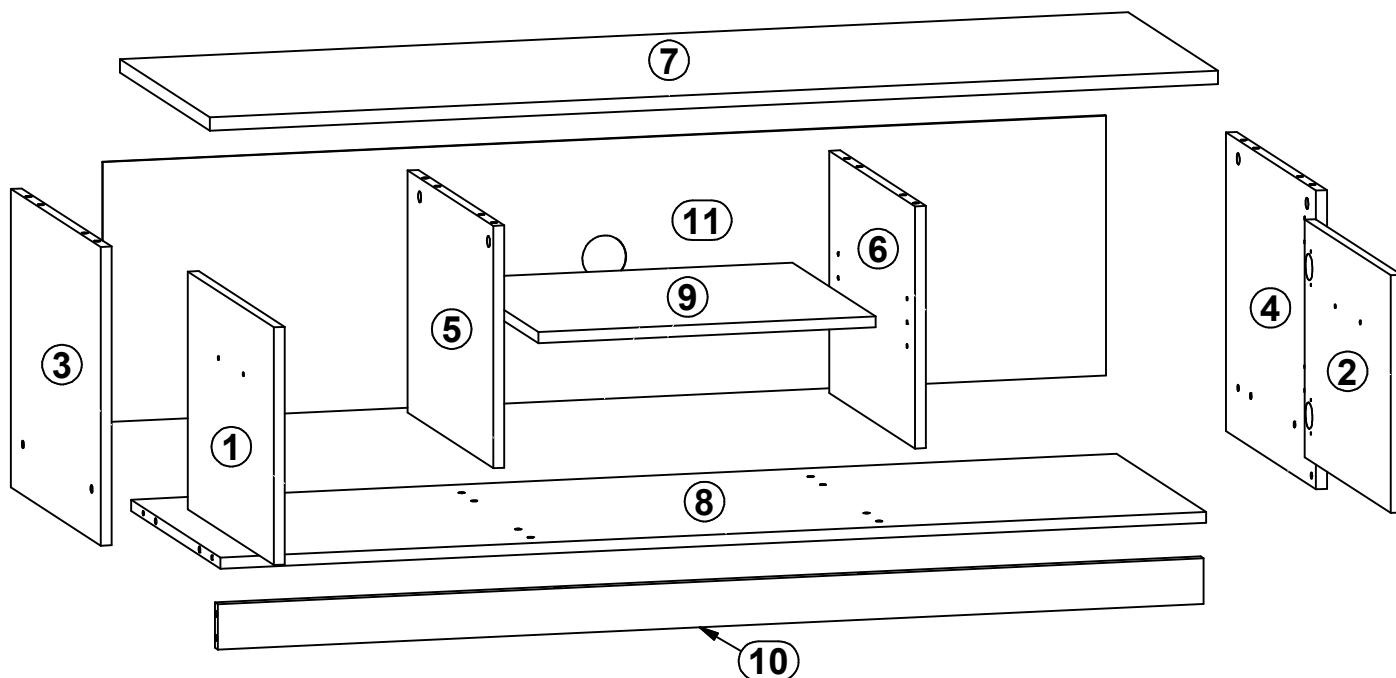
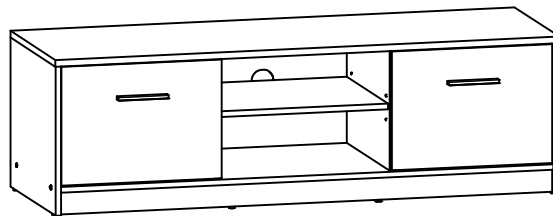


NEPO

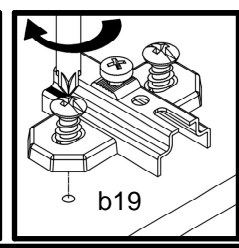
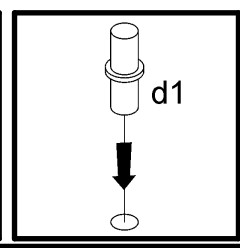
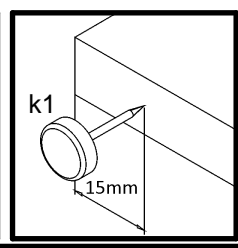
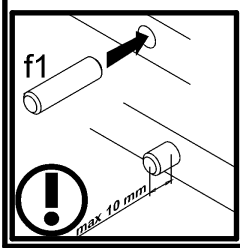
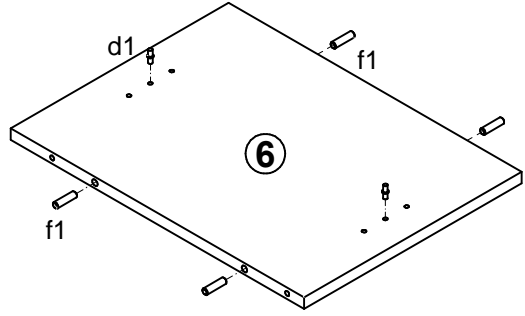
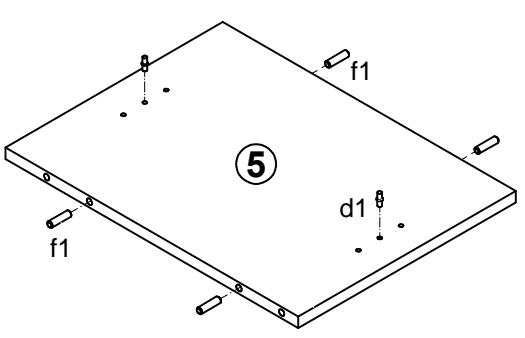
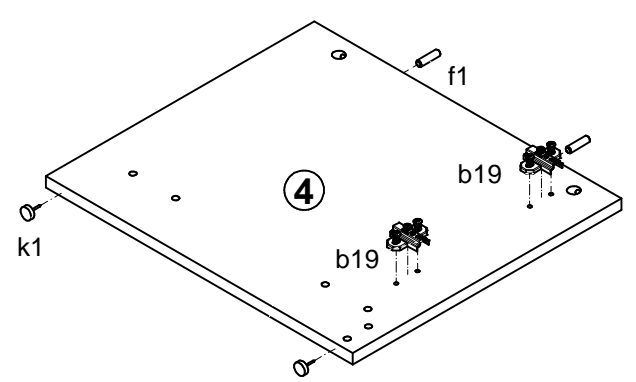
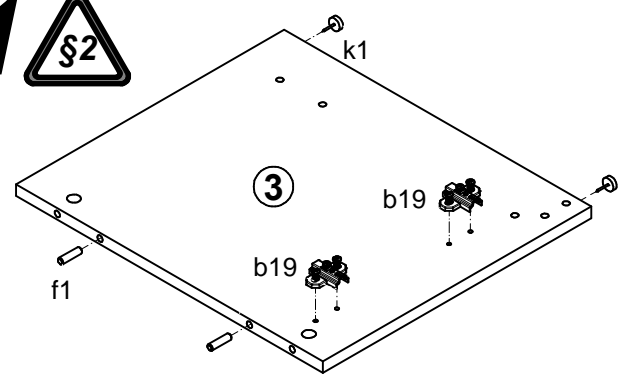
S301-RTV2D

| A | B | C | D |
|----|----------|------|-----|
| 1 | S301-013 | 440 | 320 |
| 2 | S301-014 | 440 | 320 |
| 3 | S301-124 | 402 | 460 |
| 4 | S301-125 | 402 | 460 |
| 5 | S301-126 | 326 | 439 |
| 6 | S301-127 | 326 | 439 |
| 7 | S301-209 | 1382 | 461 |
| 8 | S301-315 | 1351 | 457 |
| 9 | S301-316 | 462 | 425 |
| 10 | S301-407 | 1351 | 61 |
| 11 | S301-915 | 1375 | 350 |

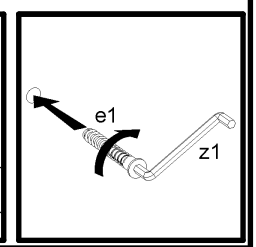
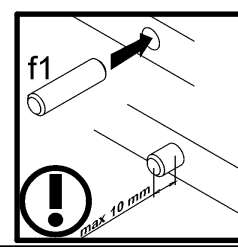
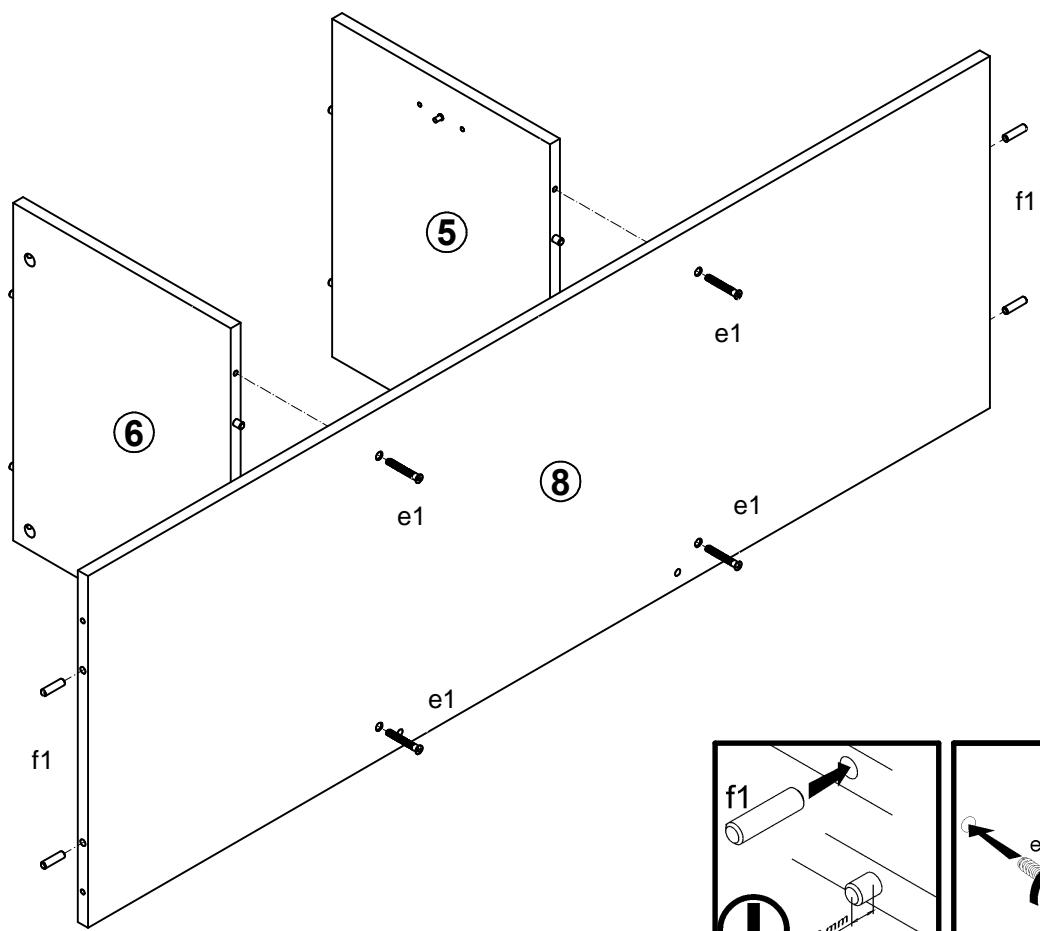


| | | | | | | | | |
|---------------------------|-------------------------------|----------------|--------------------------|--------------------------|---------------------------|--------------|---------------|-----------------------------|
| 4x a43 | 4x b19 | 2x c310 | 4x d1 ∅5x17 mm | 8x e1 ∅7x50 mm | 22x f1 ∅8x30 mm | 6x k1 | 40x l1 | 8x p51 ∅3.5x15 mm |
| 4x p87 ∅4x25 mm | 8x r1 ∅15x12 mm #16 | 8x r42 | 4x s1 | 8x s2 ∅16 | 1x z1 | | | |

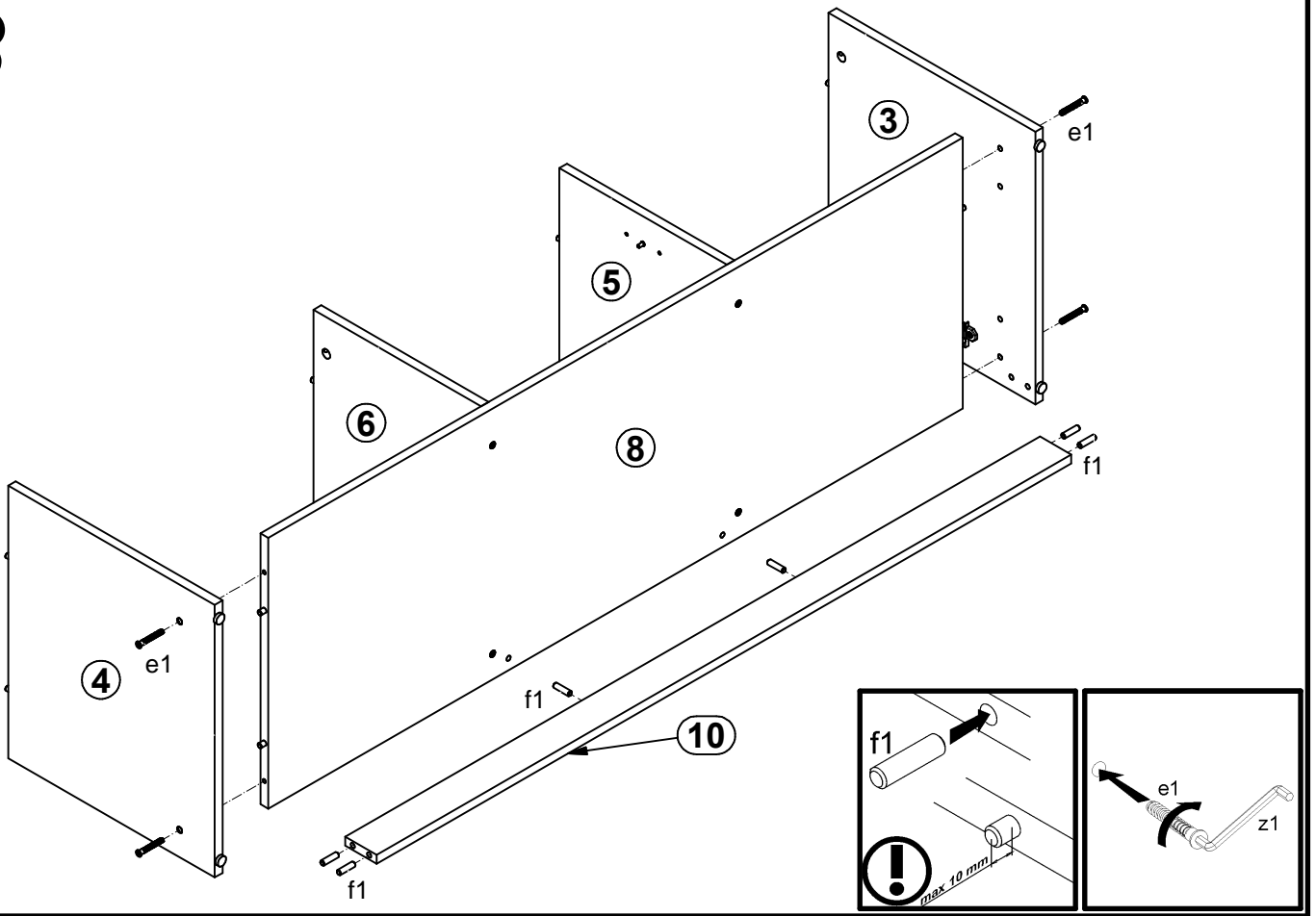
1



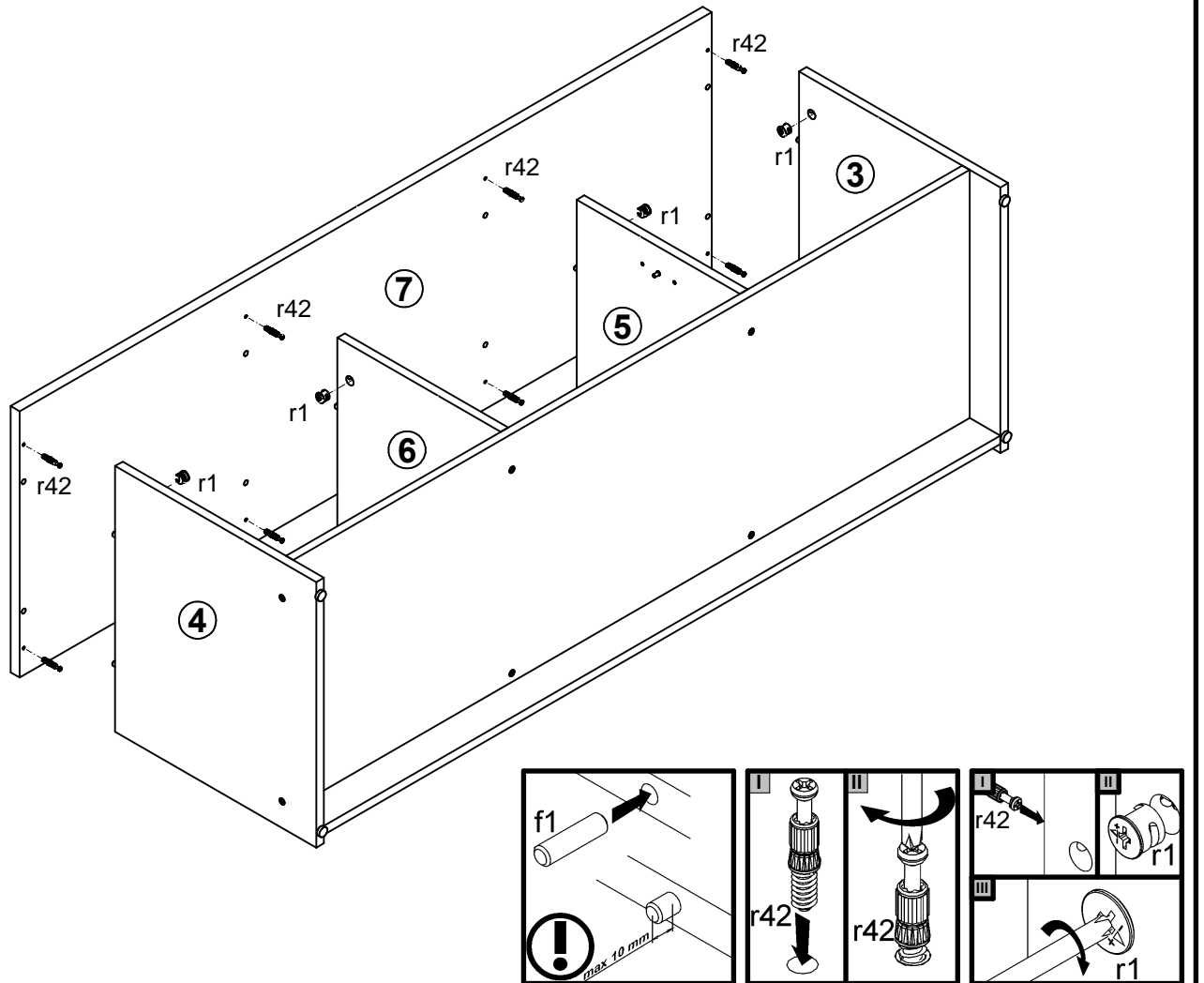
2



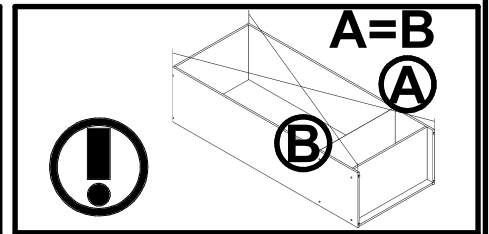
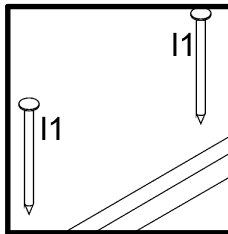
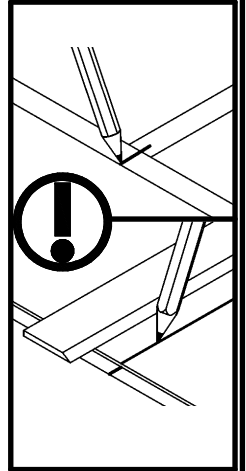
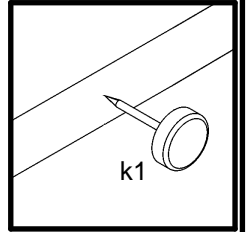
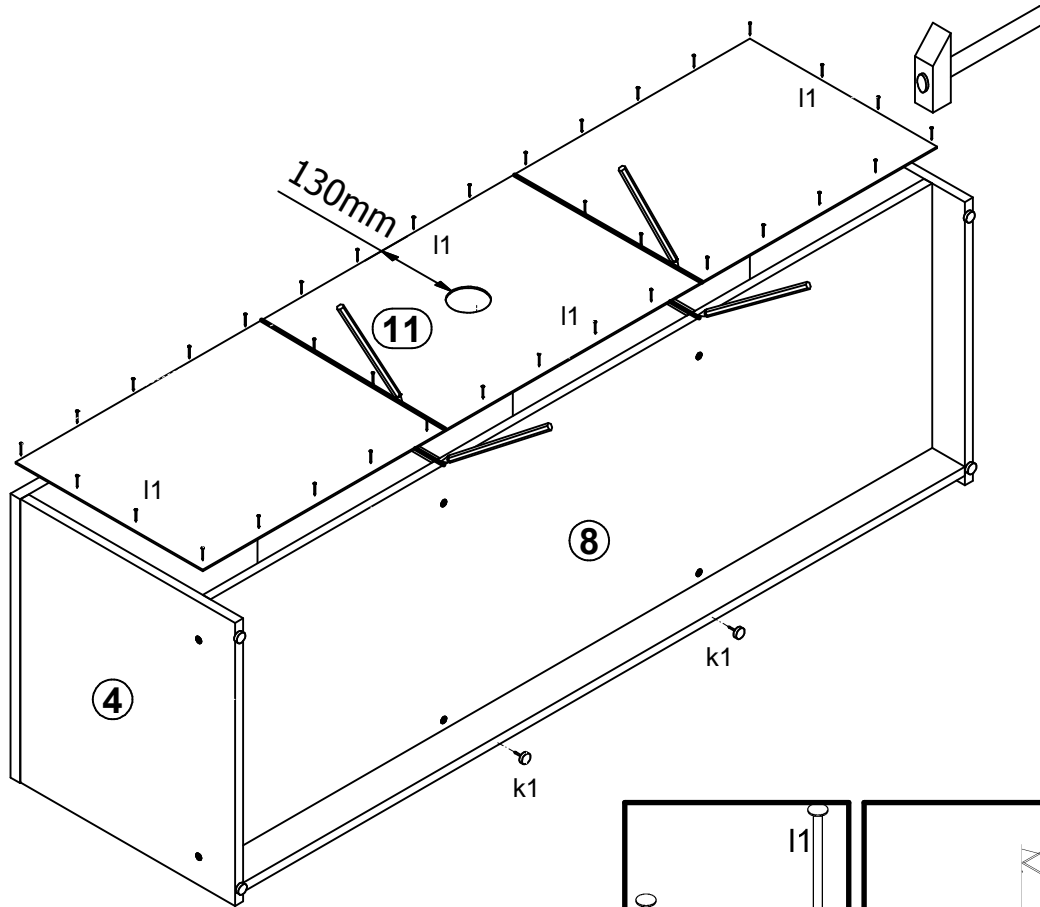
3



4



5



6

