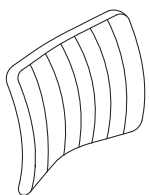
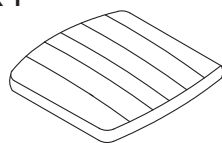


# FLORIN B-35

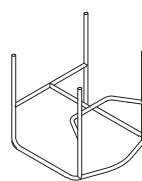
Ax1



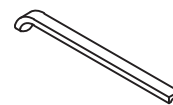
Bx1



Cx1



Dx2



Ex2



3.5cm

Fx6



4cm

Gx1



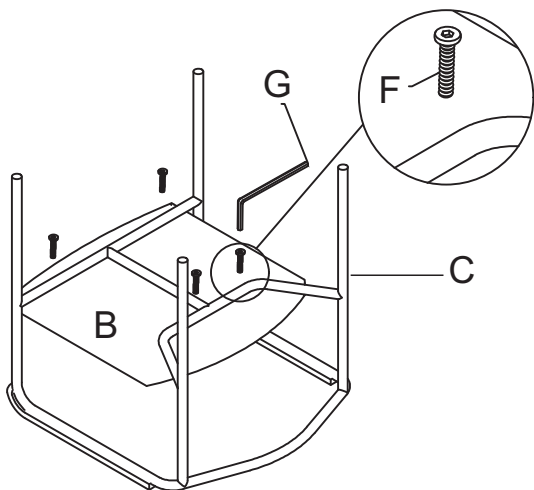
1

Fx4



4cm

Gx1



2

Ex2



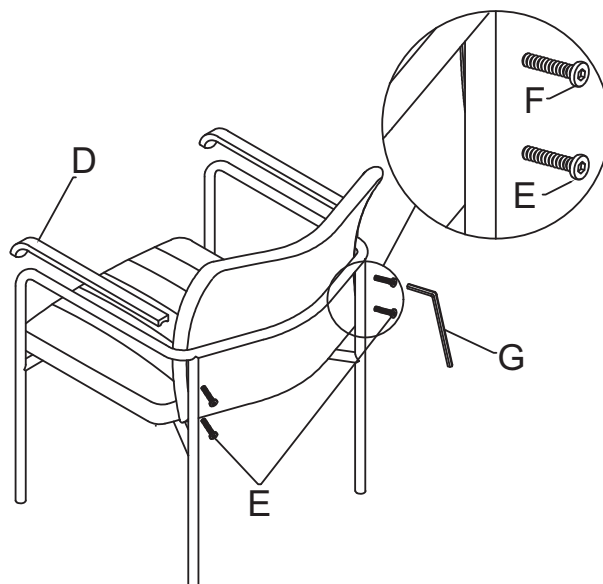
3.5cm

Fx2



4cm

Gx1



3

