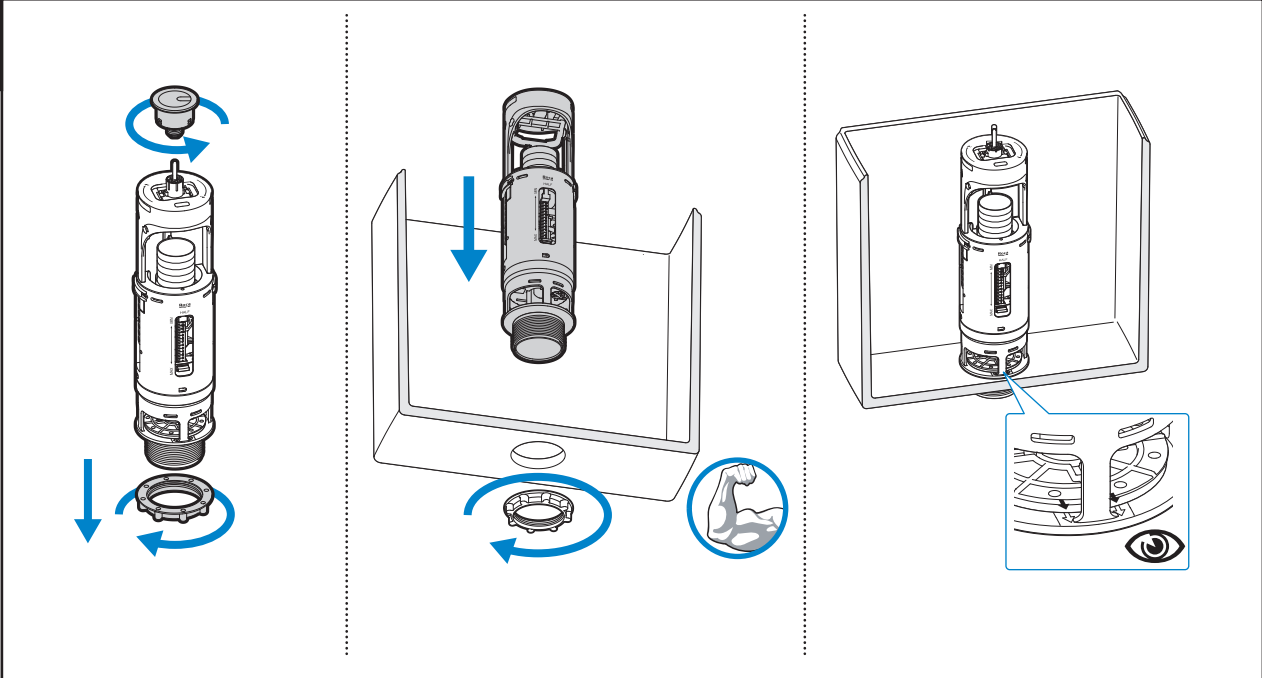
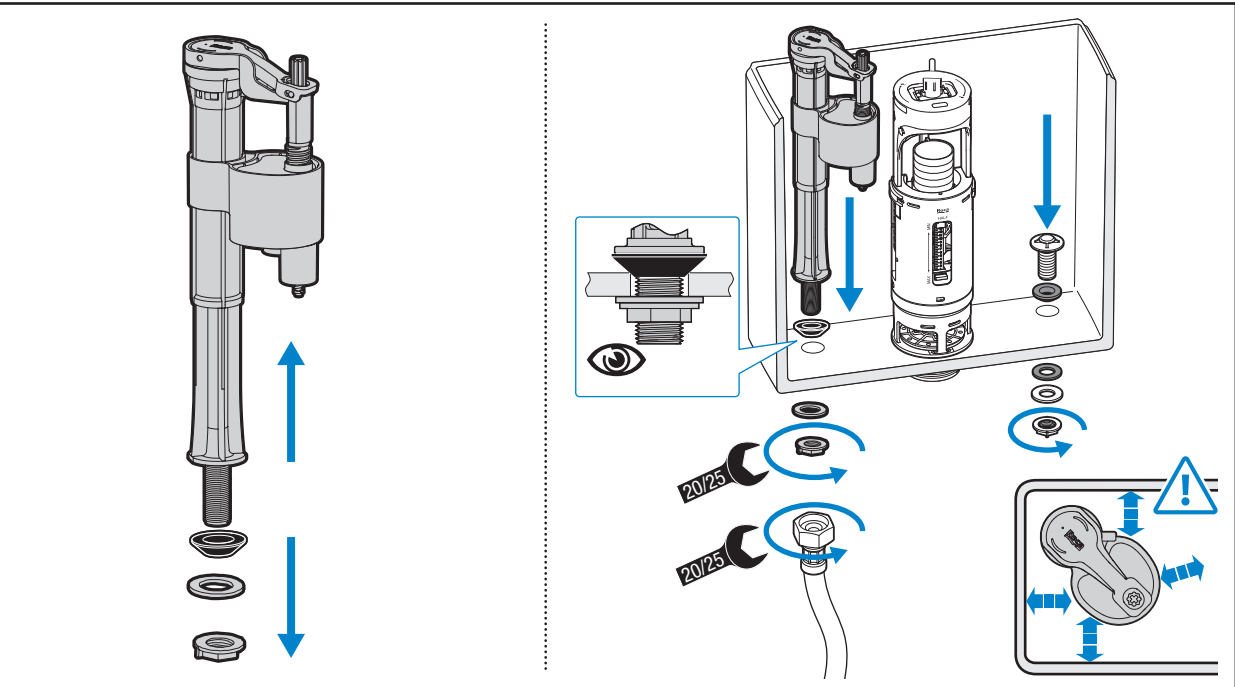


1

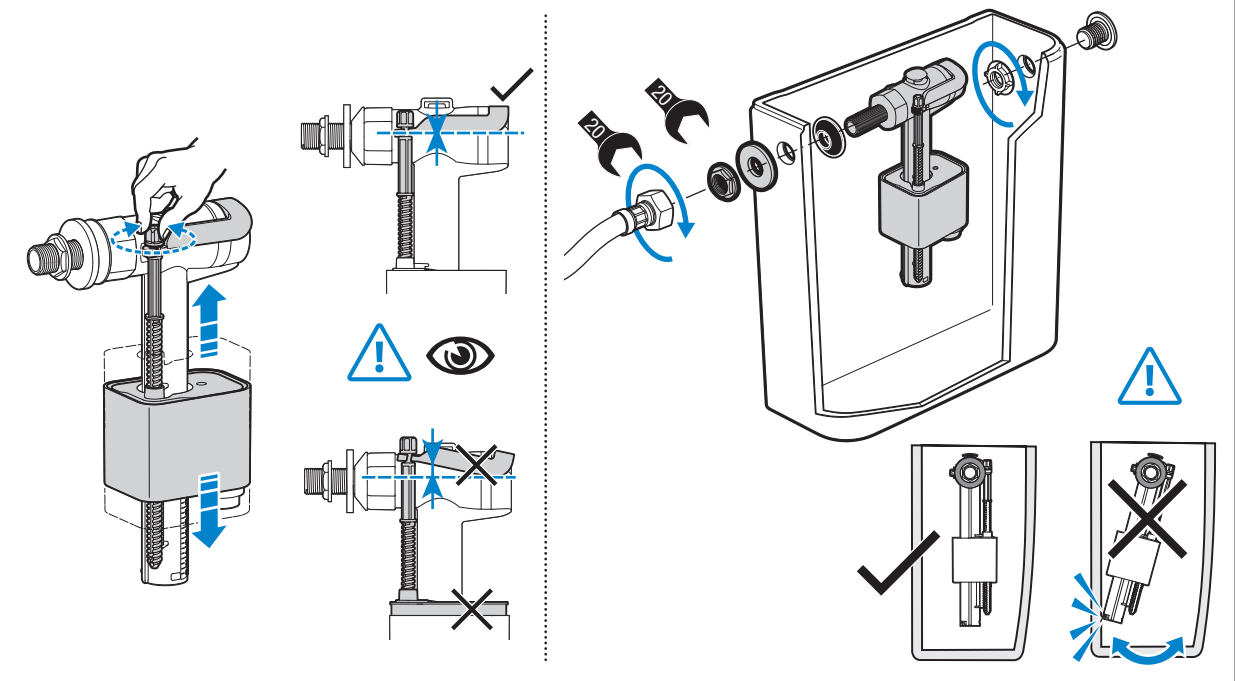


2

A

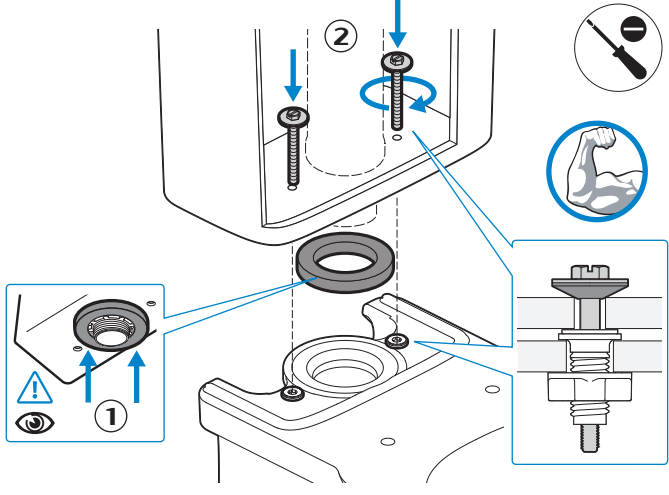
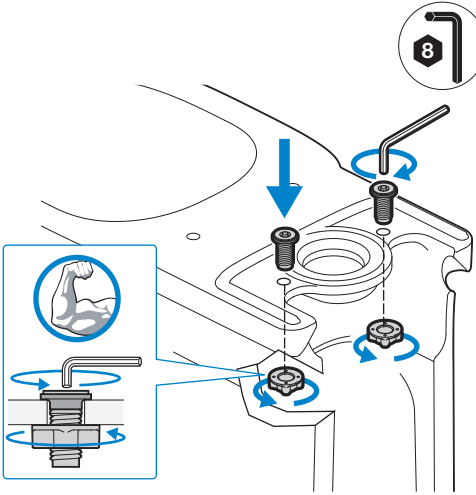


B

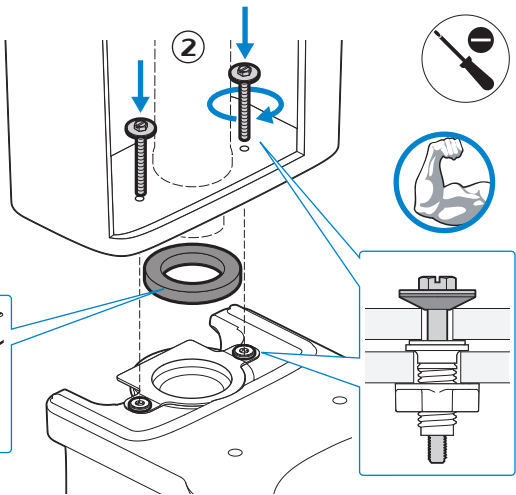


3

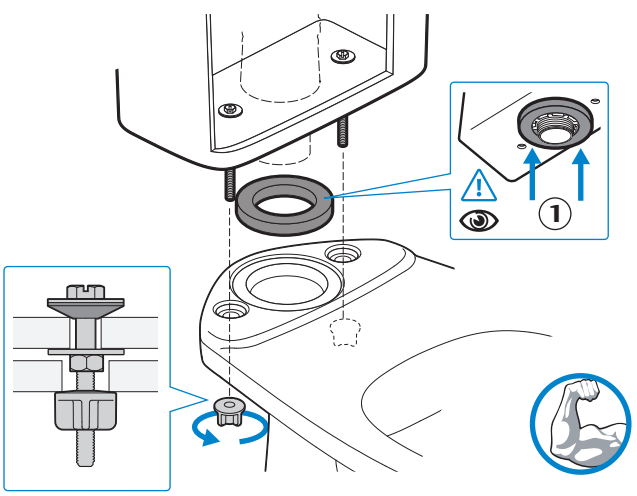
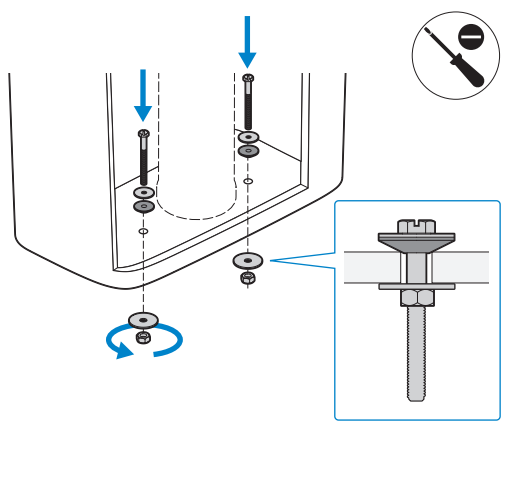
A



B

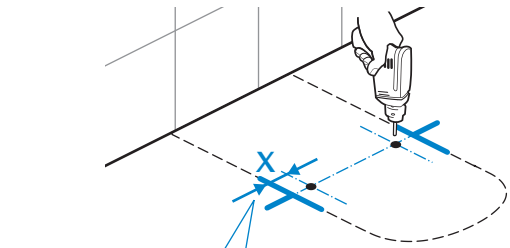
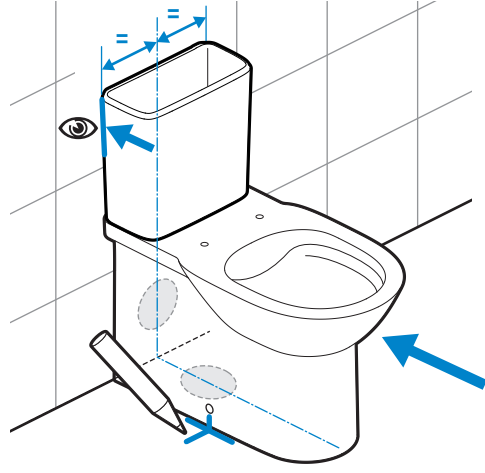


C



4

A



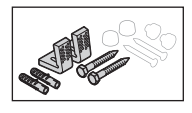
Y

X

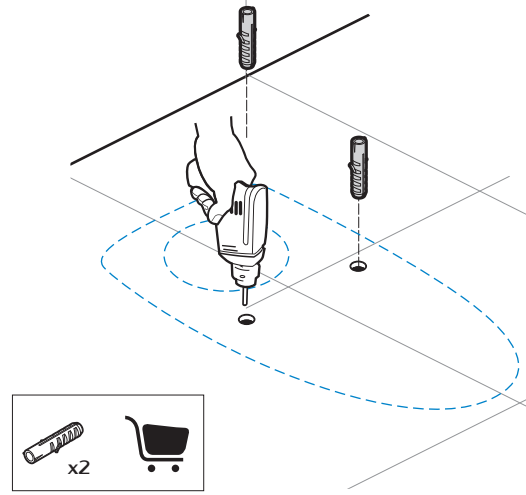
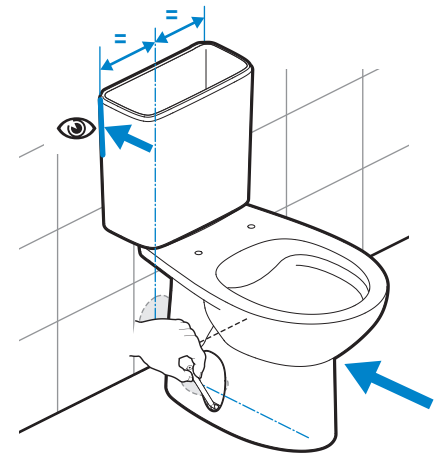
$Y \approx 10 \rightarrow X = 45$

$Y \geq 14 \rightarrow X = 60$

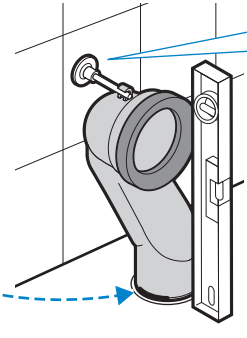
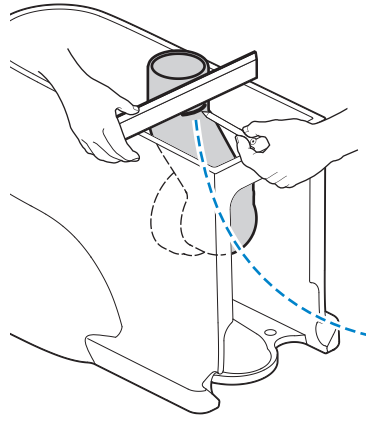
[mm]



B



5



1

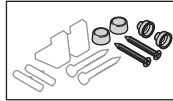
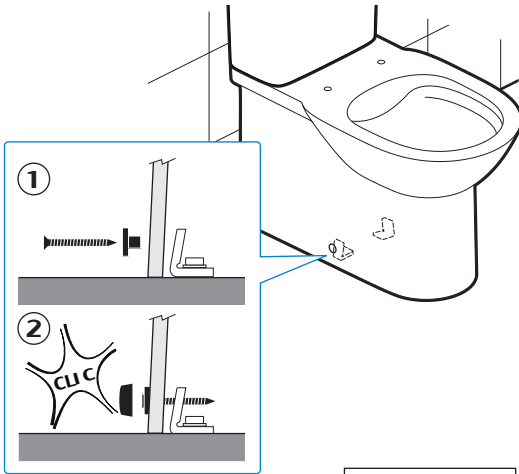
2

6

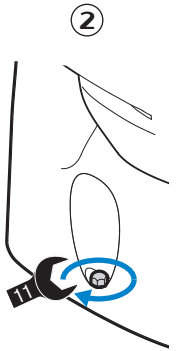
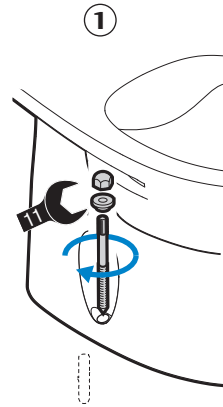


7

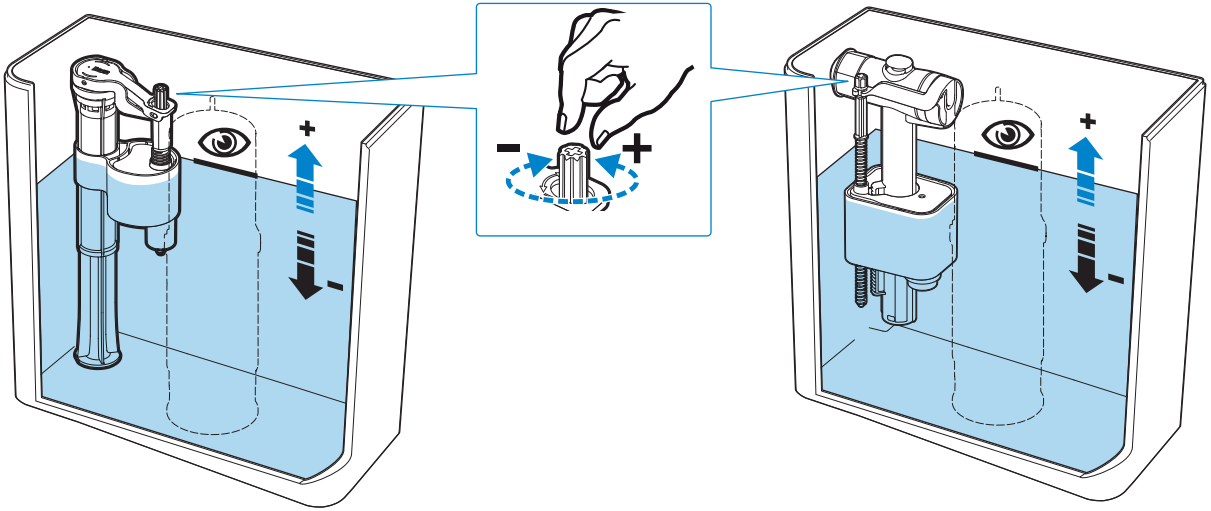
A



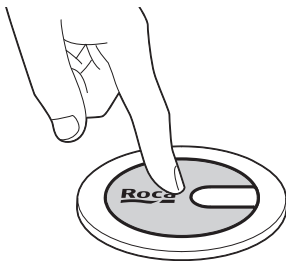
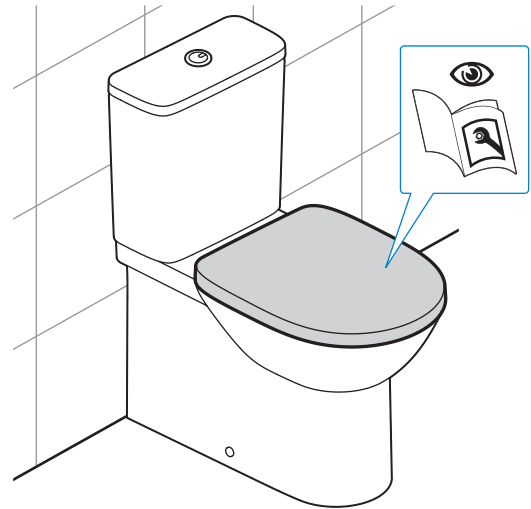
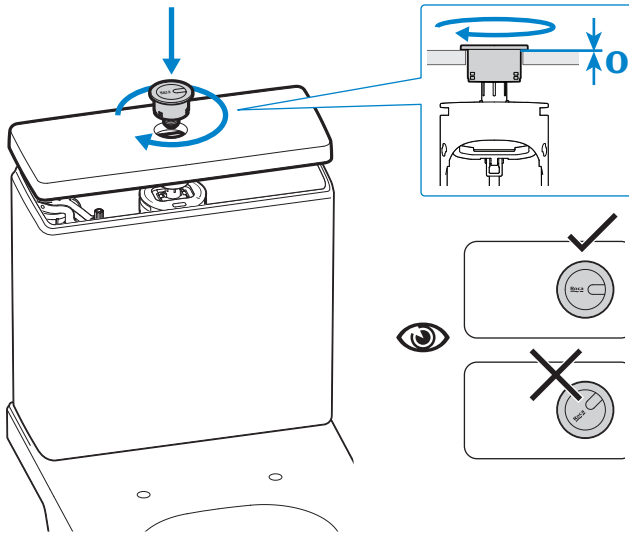
B



8



9



6/4,5L

3L

