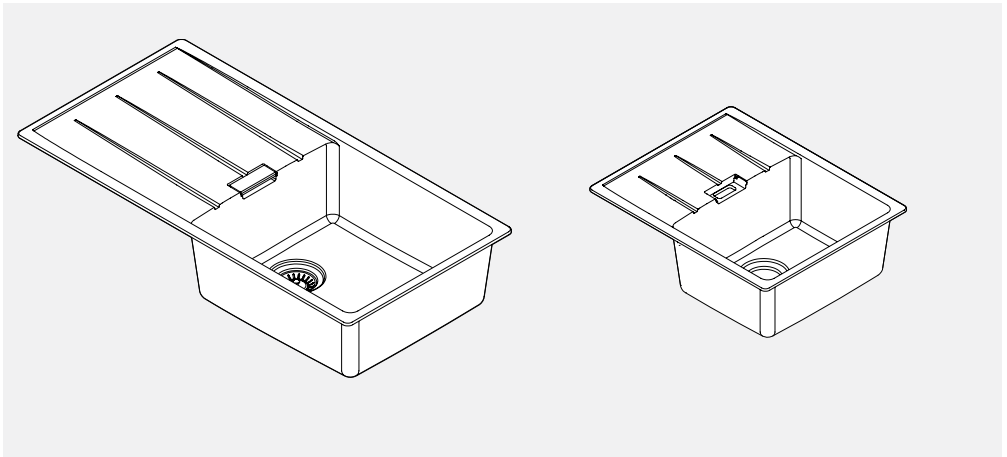


# Centro



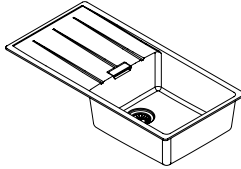
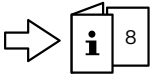
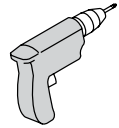
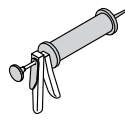
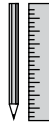
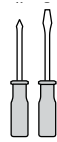
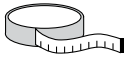
**CNG 611-62**  
**CNG 611-78**  
**CNG 611-78 XL**  
**CNG 611-86**  
**CNG 611-100**

**CNG 611-62 (LHD)**  
**CNG 611-62 (RHD)**  
**CNG 611-78 (LHD)**  
**CNG 611-78 (RHD)**

**CNG 211-62**  
**CNG 211-78**  
**CNG 211-78 XL**  
**CNG 211-86**  
**CNG 211-100**

**CNG 211-62 (LHD)**  
**CNG 211-62 (RHD)**  
**CNG 211-78 (LHD)**  
**CNG 211-78 (RHD)**

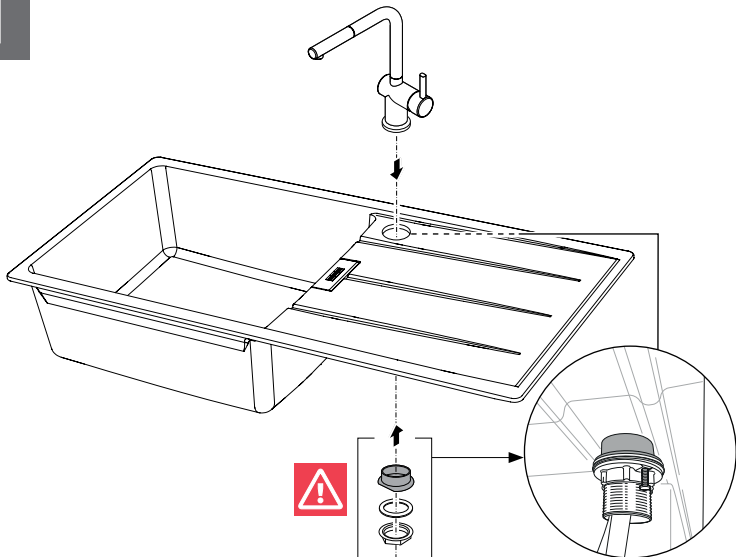
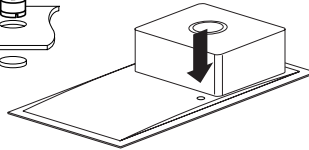
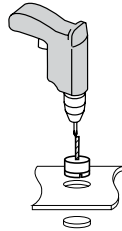
<b>EN</b>	Installation and service manual	Sinks, Fraganite
<b>DE</b>	Installations- und Serviceanleitung	Spüle, Fraganit
<b>FR</b>	Manuel d'installation et d'entretien	Eviers, Fraganite
<b>NL</b>	Installatie- en onderhoudshandleiding	Spoeltafels, Fraganit
<b>IT</b>	Manuale per l'installazione e il servizio di assistenza	Lavelli, Fraganite
<b>ES</b>	Manual de inBodyinstalación y servicio	Fregaderos, Fraganite
<b>PT</b>	Manual de instalação e de assistência	Lava-louças, Fraganite
<b>EL</b>	Εγκατάσταση και εγχειρίδιο συντήρησης	Νεροχύτες, Fraganite
<b>DA</b>	Installations- og servicevejledning	Vaske, Fraganit
<b>NO</b>	Installasjons- og servicemanual	Vasker, Fraganitt
<b>SV</b>	Installations- och servicehandbok	Tvättställ, Fraganite
<b>CS</b>	Montážní a servisní návod	Dřezy, materiál Fraganite
<b>PL</b>	Instrukcja montażu i serwisowania	Zlewozmywak, Fraganit
<b>SK</b>	Návod na inštaláciu a obsluhu	Drezy, Fraganit
<b>RO</b>	Manual de instalare și service	Chiuvete, Fraganite
<b>BG</b>	Ръководство за монтаж и обслужване	Мивки, Fraganite
<b>UK</b>	Посібник зі встановлення та обслуговування	Мийки з Фраграніту
<b>RU</b>	Руководство по установке и обслуживанию	Мойки из Фрагранита
<b>TR</b>	Kurulum ve servis kılavuzu	Evyeler, Fraganite
<b>ZH</b>	安装和维修手册	水槽, 弗兰卡花岗岩
<b>AR</b>	امامعتسال او بيكرتال اليلد	Fragranite, أحواض

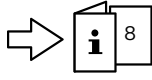


+



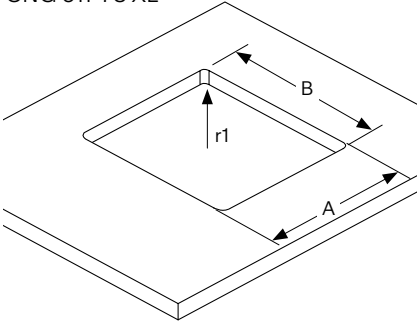
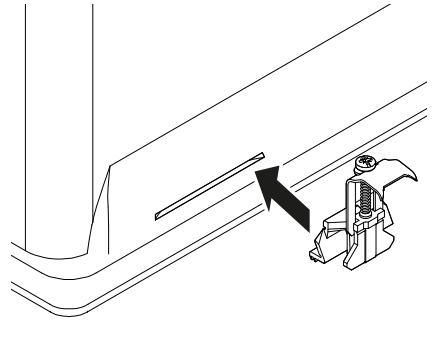
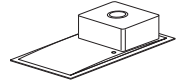
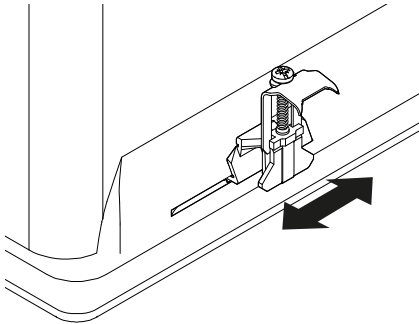
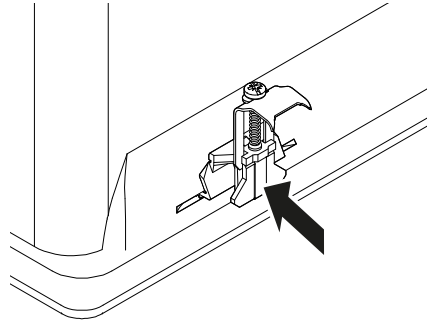
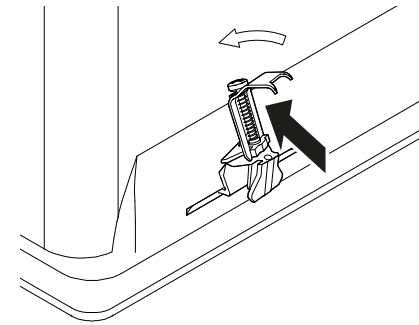
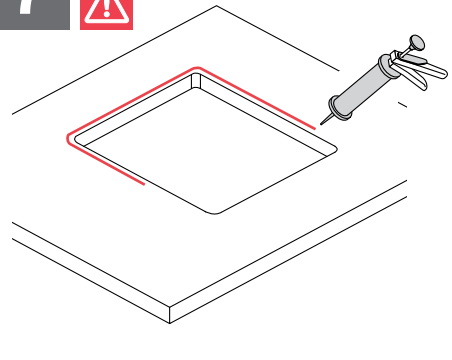
Inset



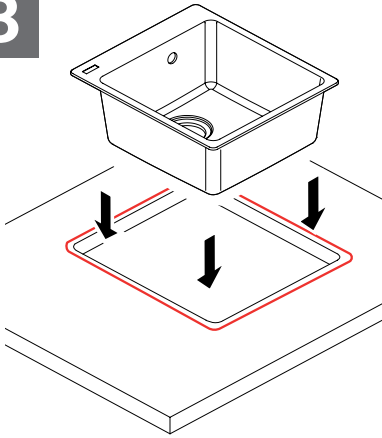
**2**

CNG 611-62  
 CNG 611-78  
 CNG 611-78 XL

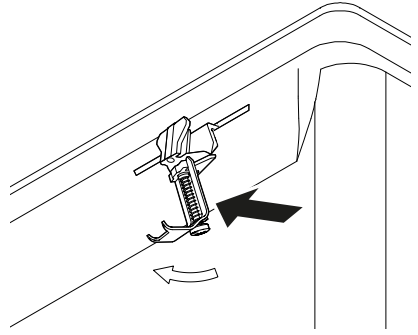
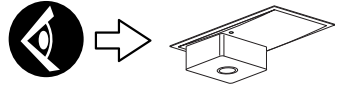
CNG 611-86  
 CNG 611-100

**3****4****5****6****7**

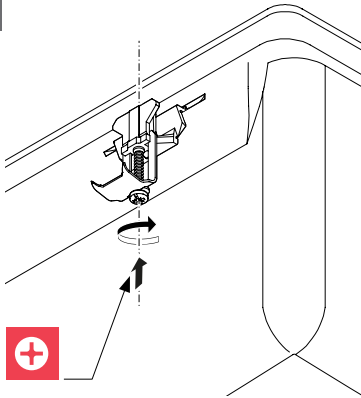
8



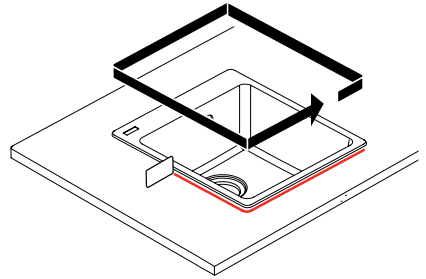
9



10

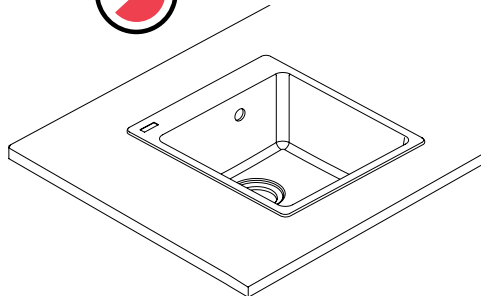


11



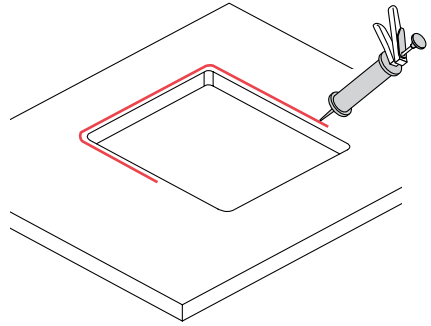
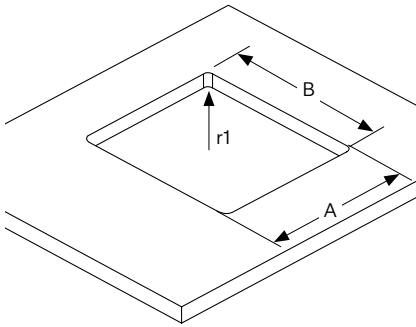
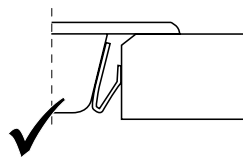
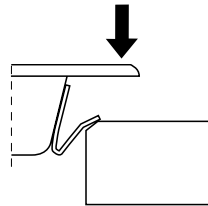
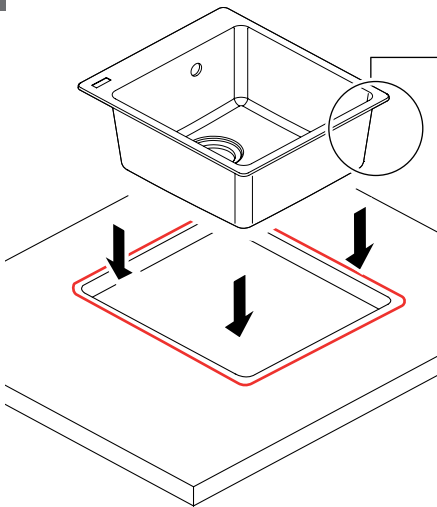
12

24h

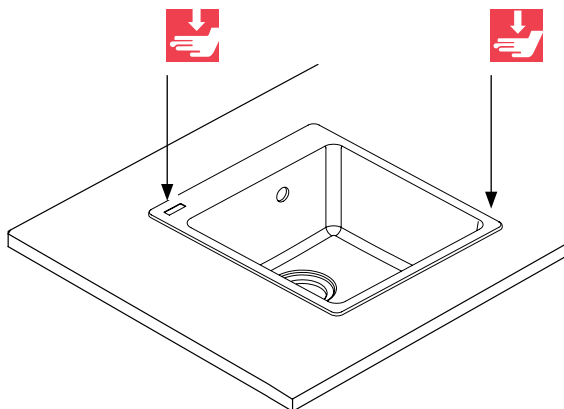


**2****3**

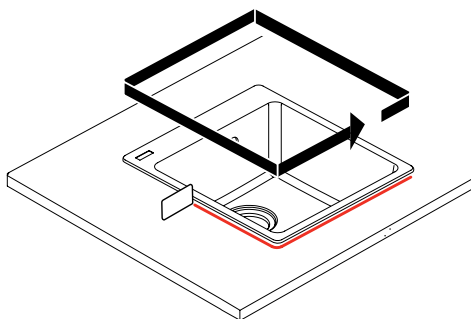
CNG 611-62 (LHD)    CNG 611-78 (LHD)  
 CNG 611-62 (RHD)    CNG 611-78 (RHD)

**4**

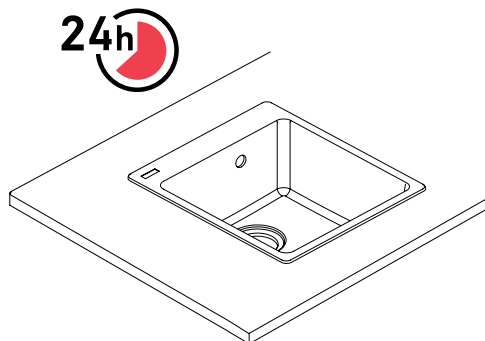
5



6

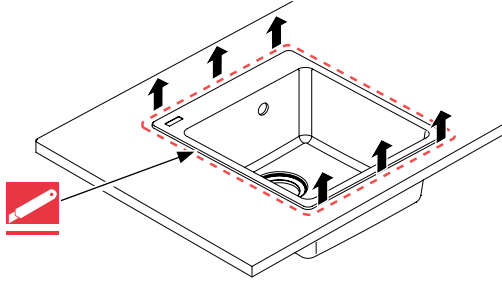


7

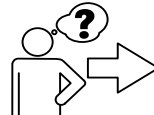
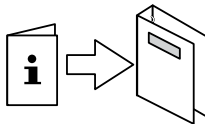
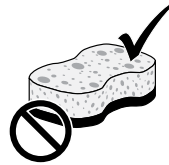
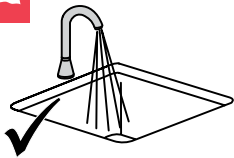
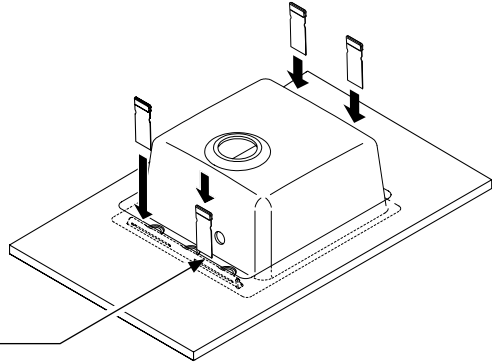
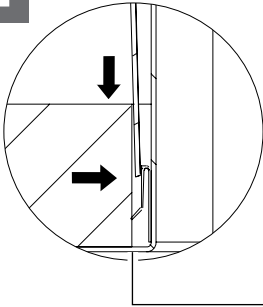




1



2



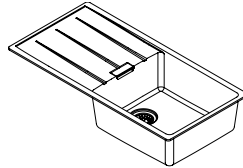
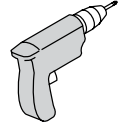
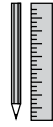
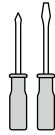
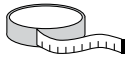
franke.com



Inset

Model		A	B	r1	minimum cabinet
CNG 611-62		600 ±2	480 ±2	15	450
CNG 611-78		760 ±2	480 ±2	15	450
CNG 611-78 XL		760 ±2	480 ±2	15	600
CNG 611-86		840 ±2	480 ±2	15	500
CNG 611-100		980 ±2	480 ±2	15	600
CNG 611-62 (LHD)		600 ±2	480 ±2	15	450
CNG 611-62 (RHD)		600 ±2	480 ±2	15	450
CNG 611-78 (LHD)		760 ±2	480 ±2	15	500
CNG 611-78 (RHD)		760 ±2	480 ±2	15	500

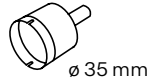
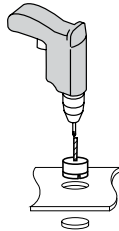




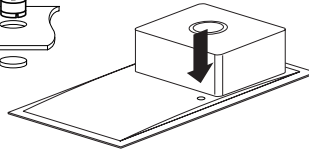
+



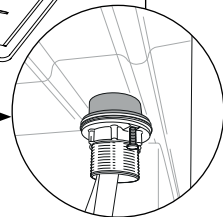
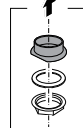
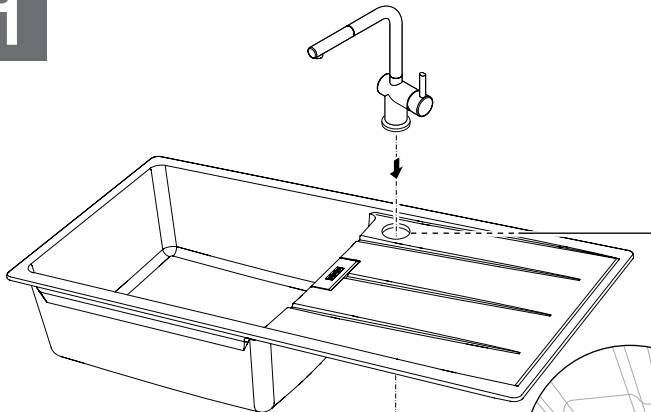
Flush mount



ø 35 mm



1

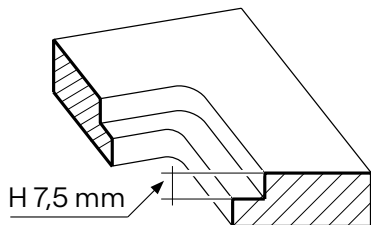
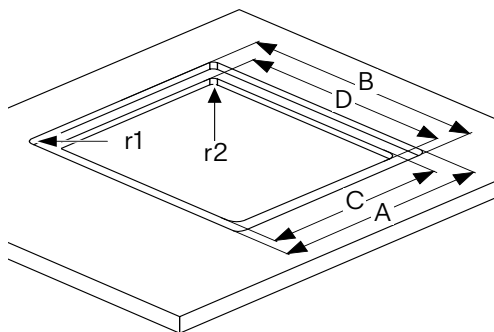


2

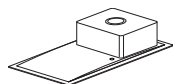


CNG 211-62  
CNG 211-78  
CNG 211-78 XL

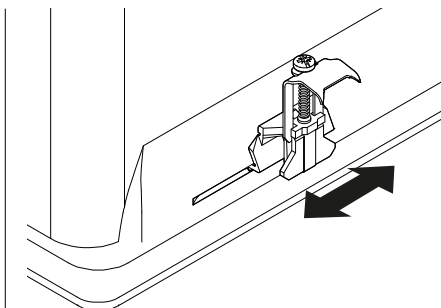
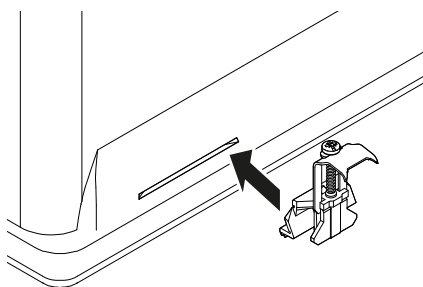
CNG 211-86  
CNG 211-100



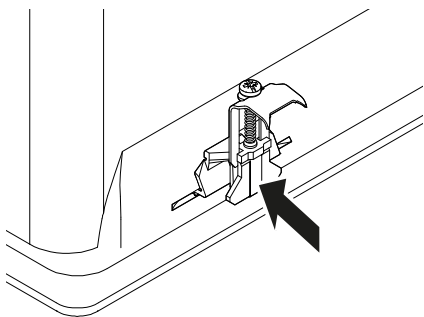
3



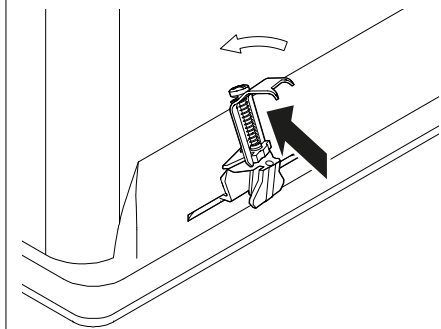
4

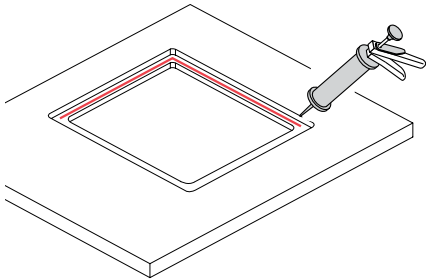
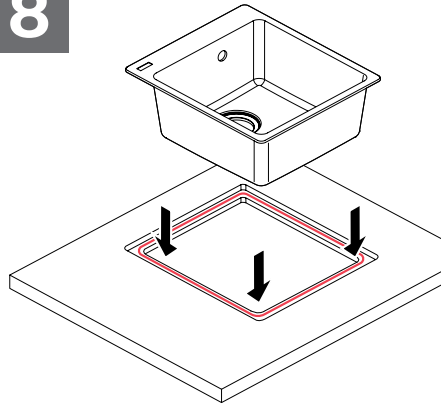
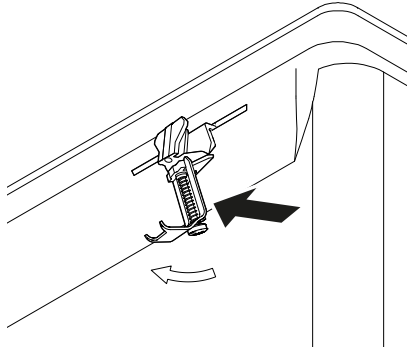
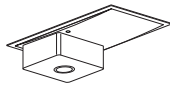
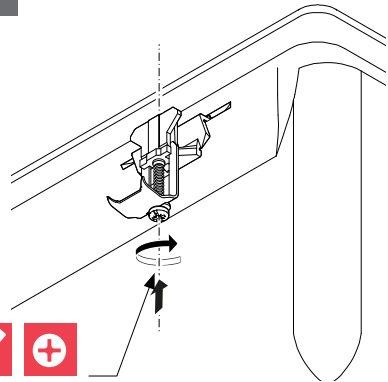
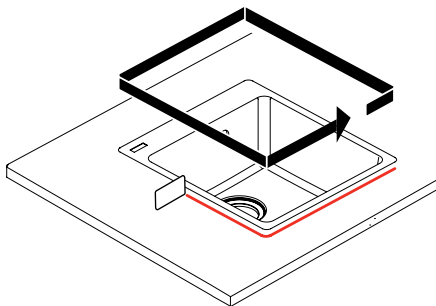
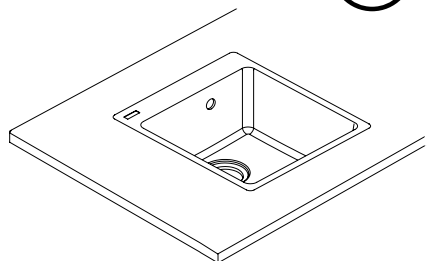


5



6



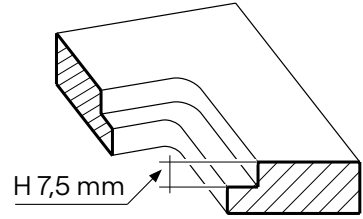
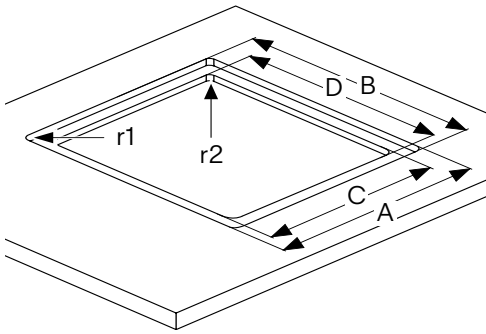
**7****8****9****10****11****12**
**24h**


2

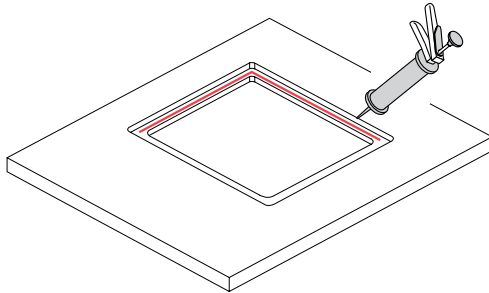


CNG 211-62 (LHD)  
CNG 211-62 (RHD)

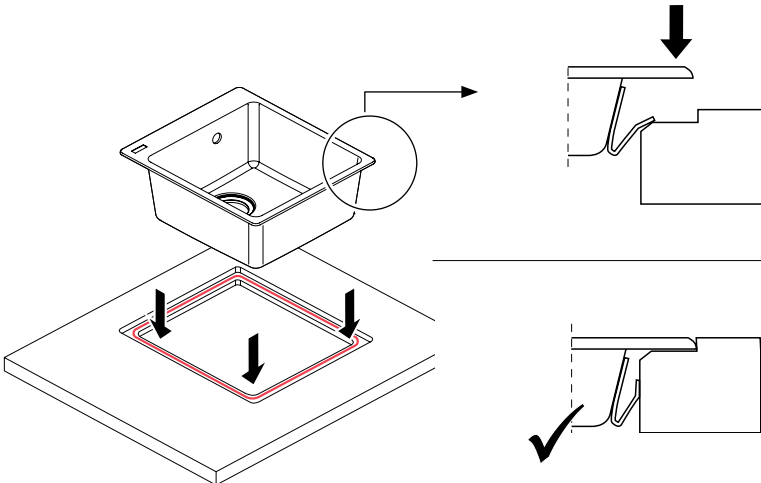
CNG 211-78 (LHD)  
CNG 211-78 (RHD)



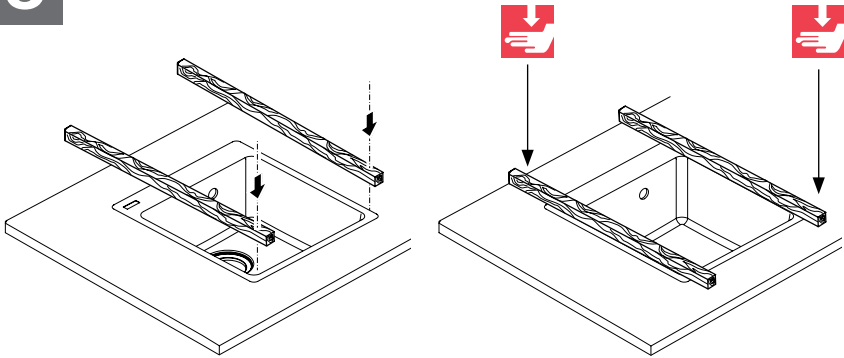
3



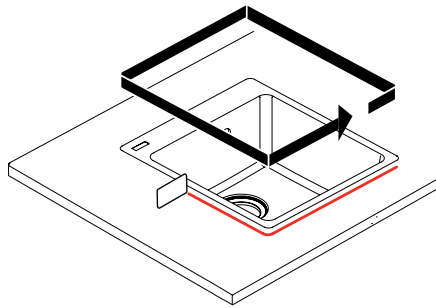
4



5

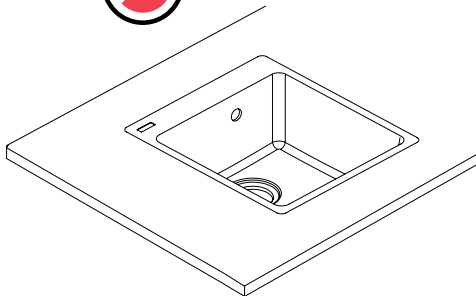


6



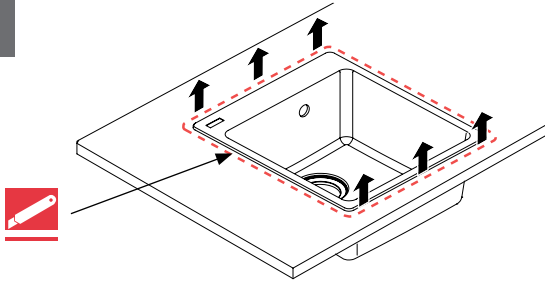
7

24h

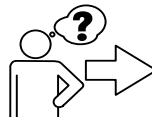
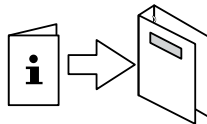
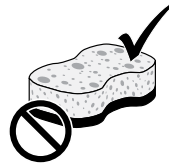
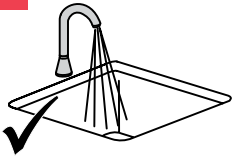
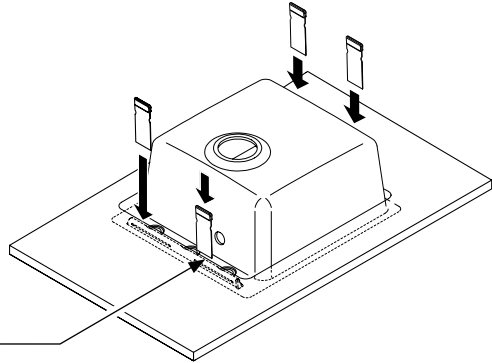
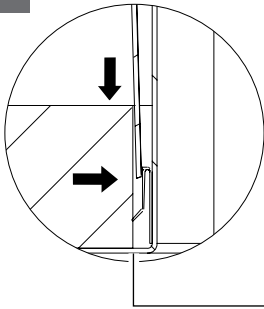




1



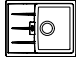
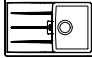
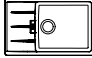
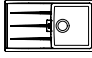
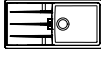
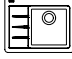
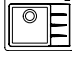
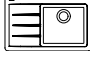
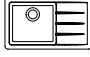
2



franke.com



Flush mount

Model		A	B	C	D	r1	r2	minimum cabinet
CNG 211-62		626 <sup>+0,5</sup> <sub>0</sub>	506 <sup>+0,5</sup> <sub>0</sub>	600 <sup>±2</sup>	480 <sup>±2</sup>	17,5	15	450
CNG 211-78		786 <sup>+0,5</sup> <sub>0</sub>	506 <sup>+0,5</sup> <sub>0</sub>	760 <sup>±2</sup>	480 <sup>±2</sup>	17,5	15	450
CNG 211-78 XL		786 <sup>+1</sup> <sub>0</sub>	506 <sup>+1</sup> <sub>0</sub>	760 <sup>±2</sup>	480 <sup>±2</sup>	17,5	15	600
CNG 211-86		866 <sup>+0,5</sup> <sub>0</sub>	506 <sup>+0,5</sup> <sub>0</sub>	840 <sup>±2</sup>	480 <sup>±2</sup>	17,5	15	500
CNG 211-100		1006 <sup>+0,5</sup> <sub>0</sub>	506 <sup>+0,5</sup> <sub>0</sub>	980 <sup>±2</sup>	480 <sup>±2</sup>	17,5	15	600
CNG 211-62 (LHD)		626 <sup>+0,5</sup> <sub>0</sub>	506 <sup>+0,5</sup> <sub>0</sub>	600 <sup>±2</sup>	480 <sup>±2</sup>	17,5	15	450
CNG 211-62 (RHD)		626 <sup>+0,5</sup> <sub>0</sub>	506 <sup>+0,5</sup> <sub>0</sub>	600 <sup>±2</sup>	480 <sup>±2</sup>	17,5	15	450
CNG 211-78 (LHD)		786 <sup>+1</sup> <sub>0</sub>	506 <sup>+1</sup> <sub>0</sub>	760 <sup>±2</sup>	480 <sup>±2</sup>	17,5	15	500
CNG 211-78 (RHD)		786 <sup>+1</sup> <sub>0</sub>	506 <sup>+1</sup> <sub>0</sub>	760 <sup>±2</sup>	480 <sup>±2</sup>	17,5	15	500

**Argentina**

Industrias Spar  
San Luis S.A.  
Buenos Aires 1008  
Phone +54 11 4311 7655

**Australia**

Franke Australia  
Dandenong South VIC 3175  
Phone: +61 3 9700 9100

**Belgium**

Franke N.V.  
9400 Ninove  
Phone +32 54 310 111

**Brazil**

Franke Sistemas de  
Cozinhas Ltda  
89.219-600 Joinville-SC  
Phone 0800-4773000

**Canada**

Franke Kindred Canada Ltd.  
Midland, ON L4R 4K9  
Phone +1 866 687 7465

**China**

Franke (China) Kitchen  
Systems Co., Ltd.  
Heshan, Guangdong,  
529700  
Phone 400 882 9898

**Czech Republic**

Franke s.r.o.  
190 00 Praha 9  
Phone +420 281 090 445

**Denmark**

Franke KS Denmark  
8520 Lystrup  
Phone +45 8624 9024

**Finland**

Franke Finland Oy  
76850 Naarajärvi  
Phone +358 15 341 11

**France**

Franke France S.A.S.  
60230 Chambly  
Phone +33 130 289 400

**Germany**

Franke GmbH  
79713 Bad Säckingen  
Phone +49 7761 52 199

**Greece**

Franke Hellas S.A.  
19003 Markopoulo Attikis  
(Athens)  
Phone +30 22991 500 00

**Hong Kong SAR**

Franke Asia Hong Kong  
Quarry Bay  
Phone +852 3184 1900

**India**

Franke Faber India Private  
Limited  
Pune 412208  
Phone 1800 209 3484

**Italy**

Franke S.p.A.  
37019 Peschiera del Garda  
Toll-free number  
800 359 359

**Kazakhstan**

Franke Kazakhstan Ltd.  
040918 Almaty City  
Phone +7 727 297 3812

**New Zealand**

Franke Australia  
Dandenong South VIC 3175  
Phone: +64 9 964 0400

**Norway**

Franke KS Norway  
8520 Lystrup, Denmark  
Phone +47 35 566 450

**Poland**

Franke Polska Sp. z o.o.  
05-090 Raszyn  
Phone +48 22 711 6700

**Portugal**

Franke Portugal S.A.  
2735-531 Cacém  
Phone +351 21 426 9670

**Romania**

Franke Romania SRL  
Pantelimon 077145  
Phone +40 21 350 1550

**Russia**

Franke Russia GmbH  
248033 Kaluga  
Phone +7 800 555 1255

**Singapore**

Franke Singapore Pte Ltd  
33 Ubi Ave 3  
01-38 Vertex  
Phone +65 9838 2542

**Slovak Republic**

Franke Slovakia s.r.o.  
013 24 Strečno  
Phone +420 281 090 445

**South Africa**

Franke South Africa  
Durban 4052  
Phone +27 31 450 6300

**Spain**

Franke España S.A.U.  
08174 Sant Cugat del Vallès  
Phone +34 934 456 768

**Sweden**

Franke Futurum AB  
930 47 Byske  
Phone +46 912 405 00

**Switzerland**

Franke Küchentechnik AG  
4663 Aarburg  
Phone +41 800 583 243

**Thailand**

Franke (Thailand) Co., Ltd.  
Bangkok 10110  
Phone +66 2 013 7900

**The Netherlands**

Franke Nederland BV  
5611 ZX Eindhoven  
Phone +31 85 0261 15 11

**Turkey**

Franke Mutfak ve Banyo  
Sistemleri Sanayi  
ve Ticaret A.S.  
41480 Gebze Kocaeli/  
Turkey  
Phone +90 262 644 6595

**Ukraine**

Franke Ukraina LLC  
01042 Kyiv  
Phone 0 800 301 801

**United Kingdom**

Franke UK Ltd.  
Manchester M22 5WB  
Phone +44 161 436 6280

**USA**

Franke Home Solutions  
North America, LLC  
Smyrna, TN 37167  
Phone 1 800 626 5771