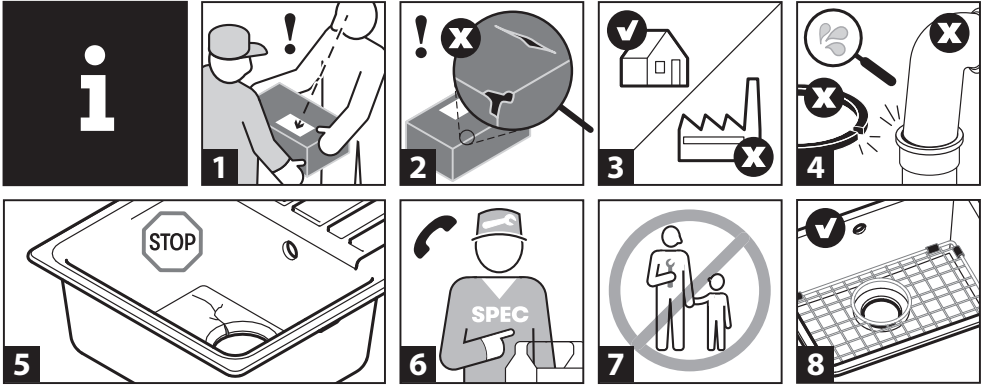


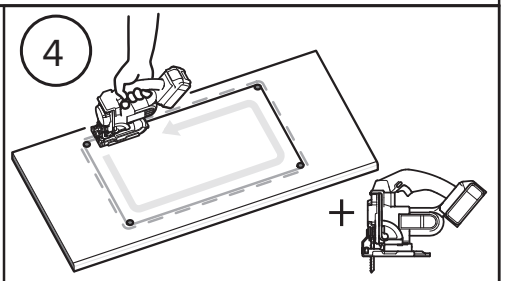
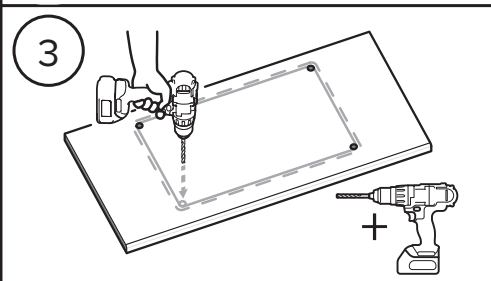
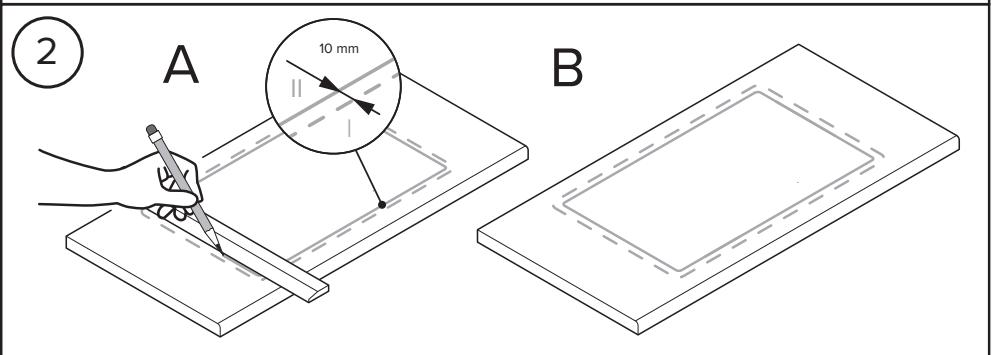
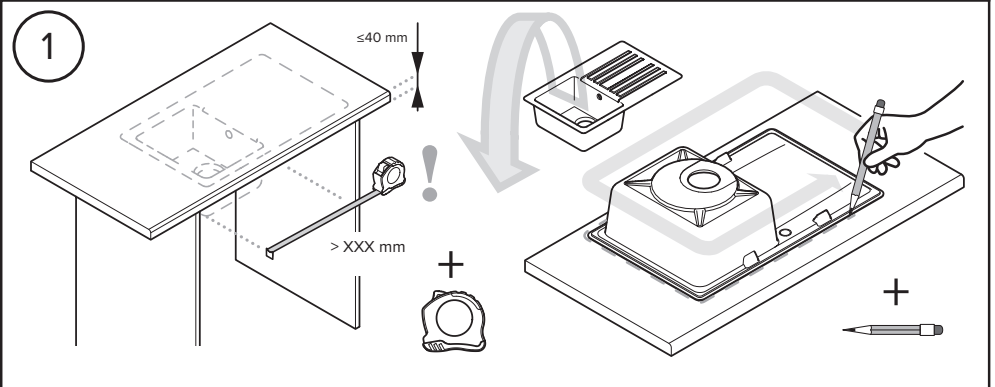
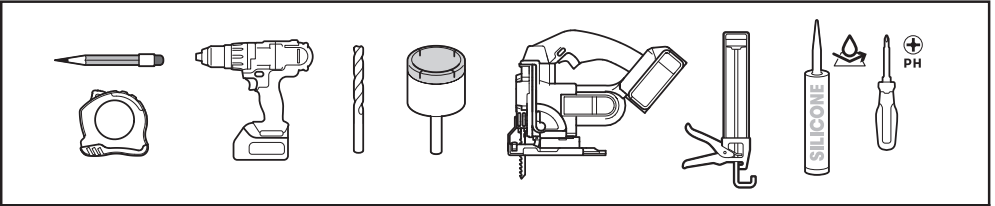
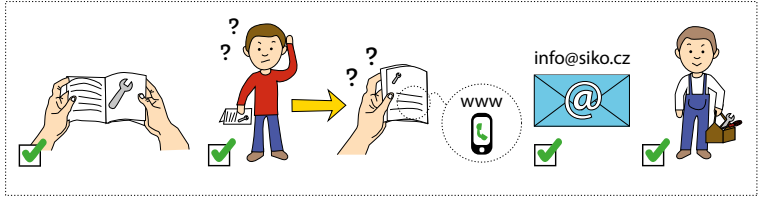
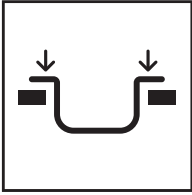


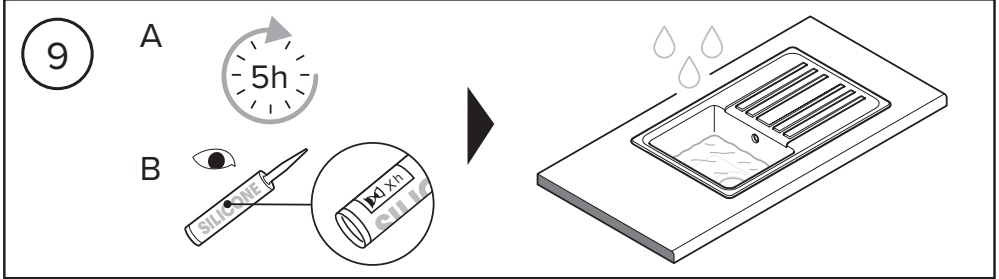
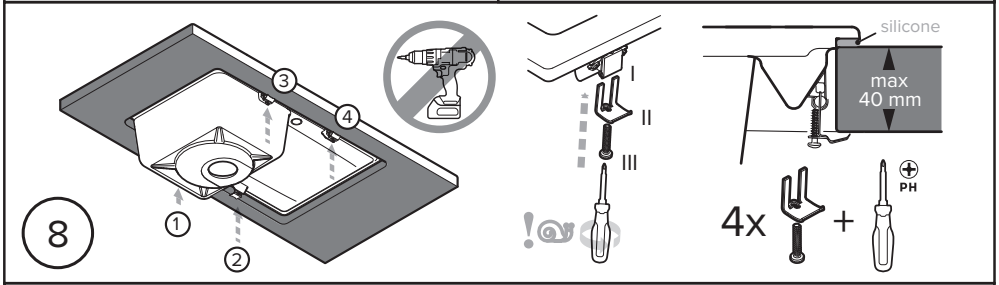
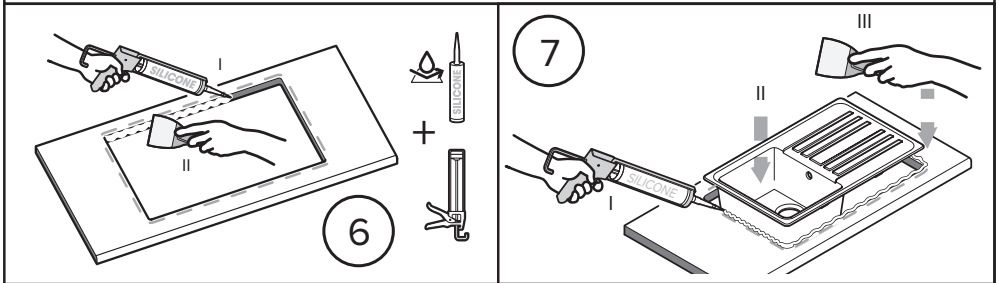
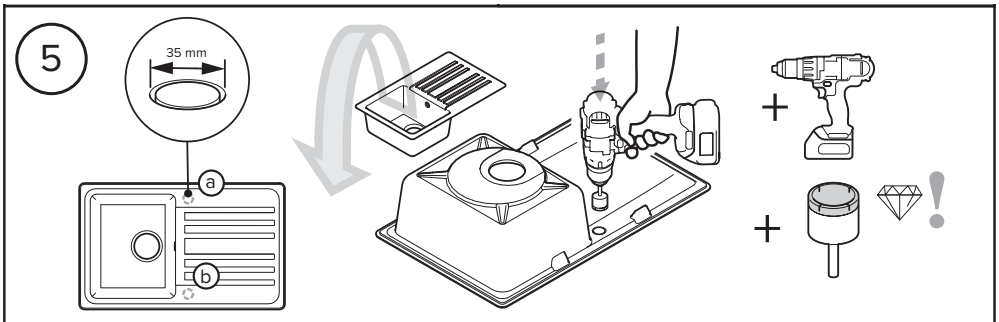
SATSINKXXX



✓ OK    ✗ not OK







SAT® is registered trademark of



**Swiss  
Aqua  
Technologies**

**Swiss Aqua Technologies AG**  
 Gewerbestrasse 9, 6330 Cham, Switzerland  
[www.swatec.ch](http://www.swatec.ch)  
 Imported by SIKO KOUPELNY a.s.  
 Made in Lithuania.