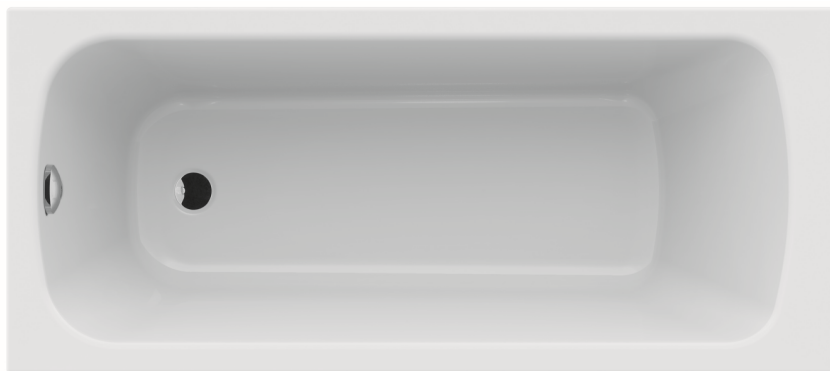


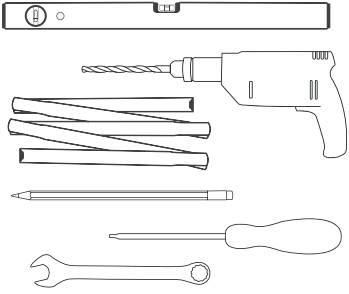
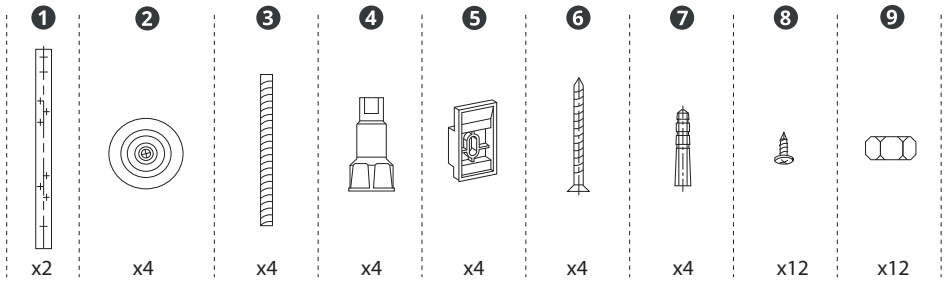


SATVEVO160
SATVEVO170
SATVEVO180

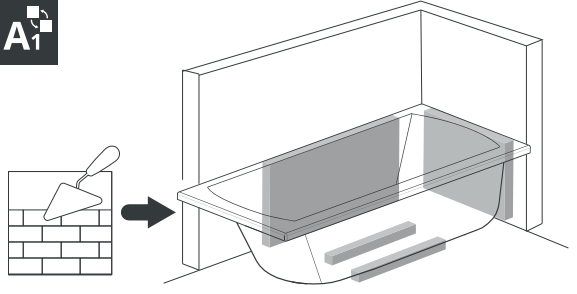


SATVVI150
SATVVI160
SATVVI170
SATVVI180

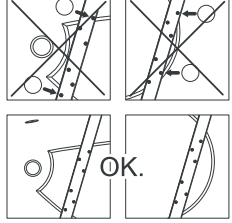
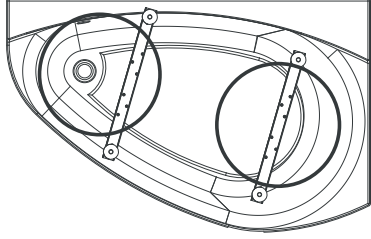




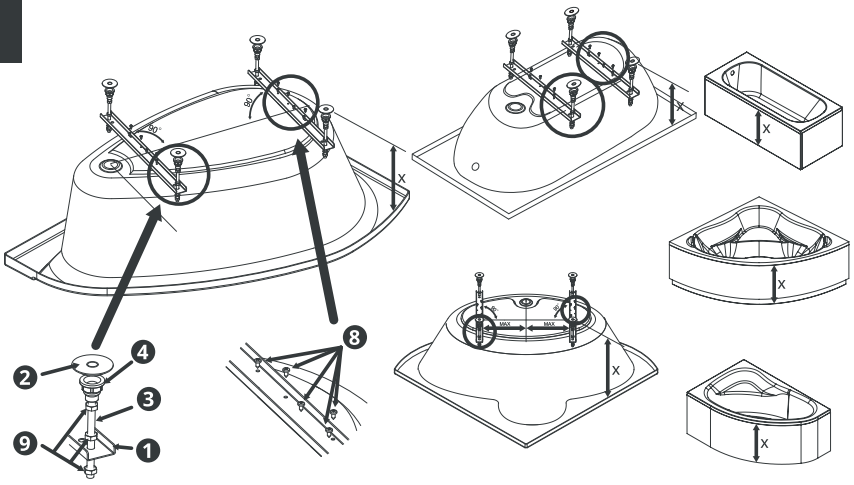
A₁



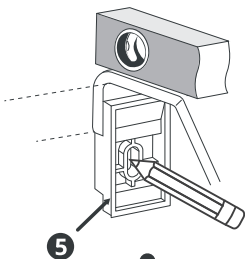
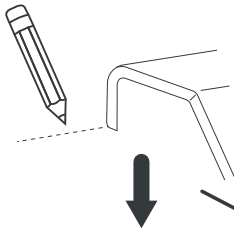
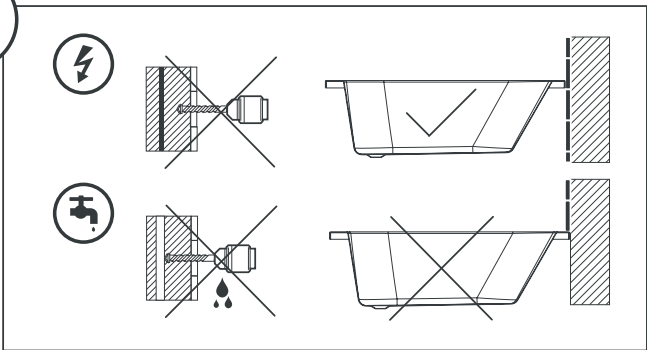
A₂



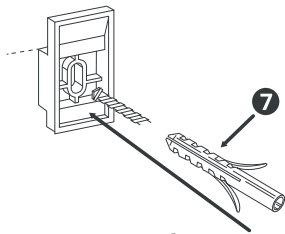
B



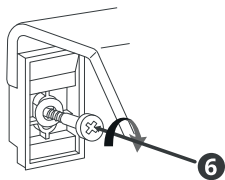
C



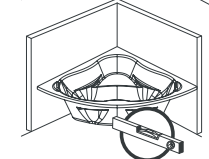
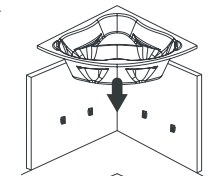
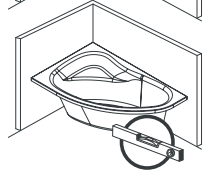
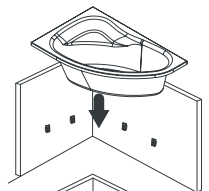
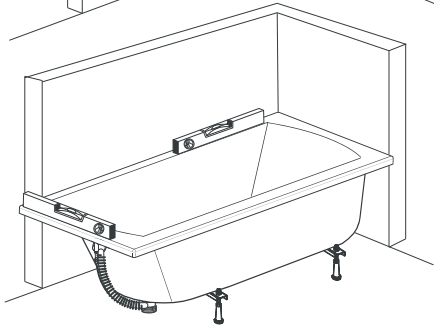
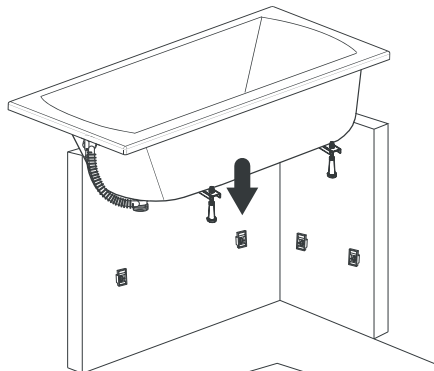
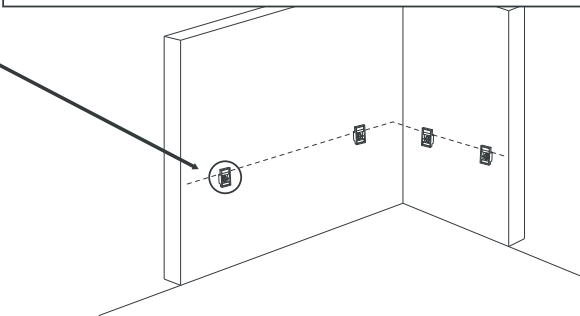
5

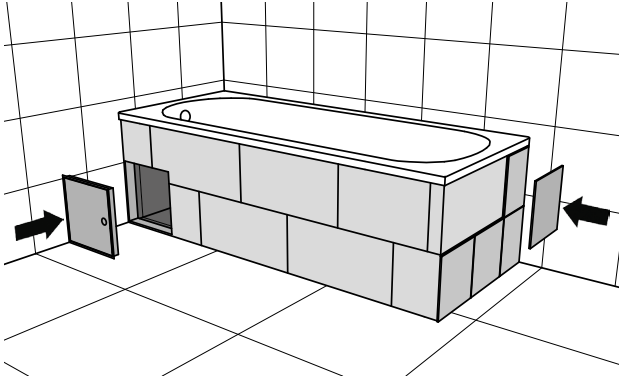
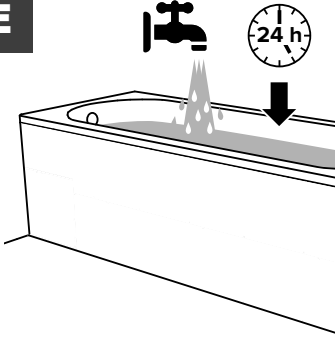
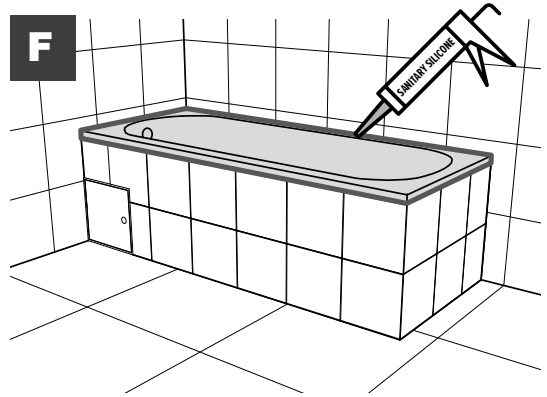


7



6



D**E****F**

SAT® is registered trademark of



**Swiss
Aqua
Technologies**

Swiss Aqua Technologies AG
Gewerbstrasse 9, 6330 Cham, Switzerland
www.swatec.ch
Imported by SIKO KOUPELNY a.s.
Made in Czech Republic