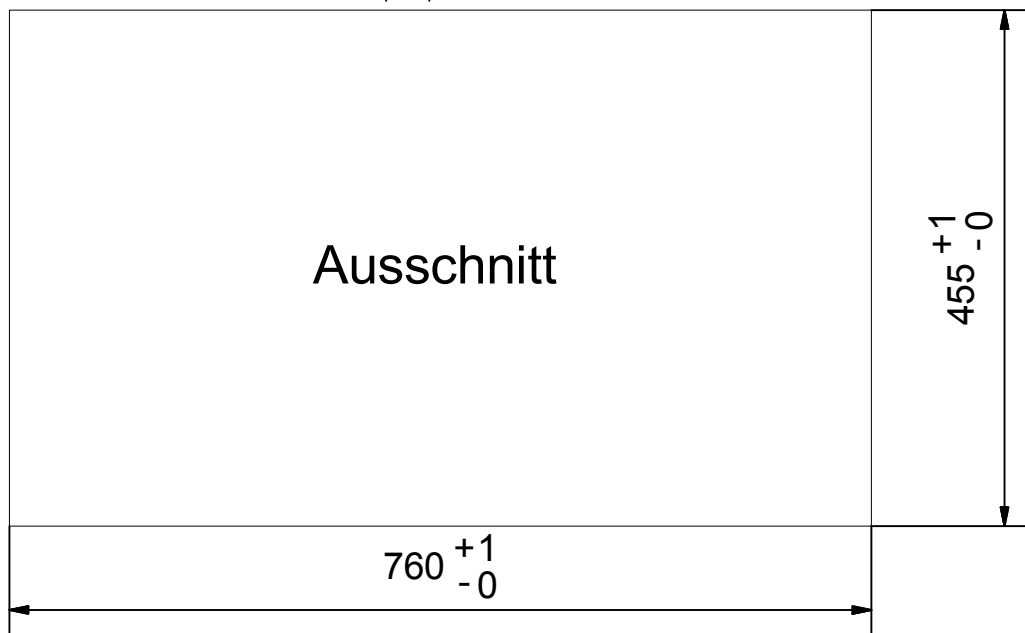
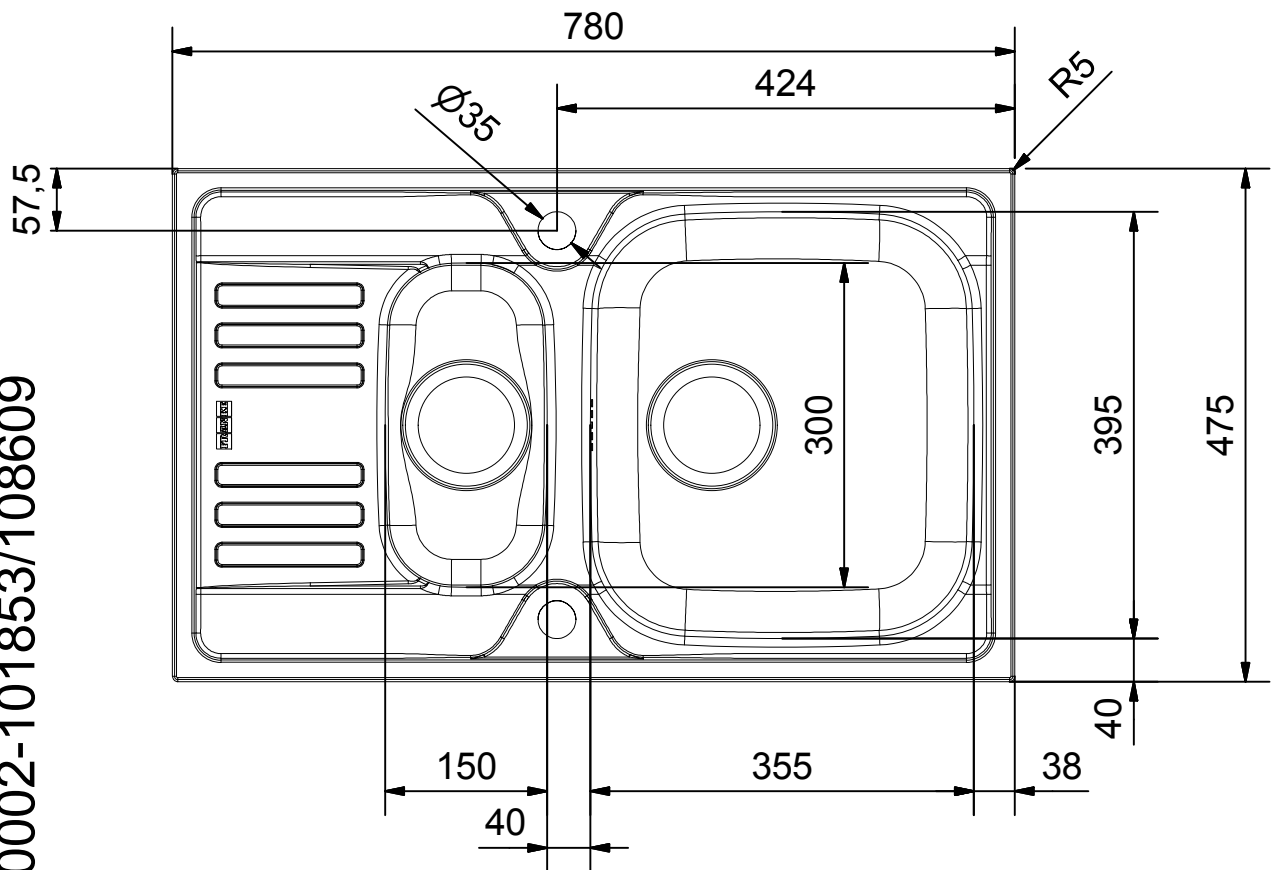


Konstruktionszeichnung 0002-101853/108609



EFL 651-78	101.0084.385	keine FUN			X	PW	6 +/- 0.3
EFL 651-78	101.0042.939	991.0067.772					6 +/- 0.3
EFN 651-78	101.0035.407	991.0034.341			X		6 +/- 0.3
EFL 651-78	101.0050.849	991.0034.345			X		6 +/- 0.3
EFX 651-78	101.0035.360	991.0034.343	X	X	X		6 +/- 0.3
EFX 651-78	101.0035.341	991.0034.341			X		6 +/- 0.3
EFN 651-78	101.0304.174	keine FUN	X	X	X	PW Export	FKT 6 +/- 0.3
Typ	Art.-Nr.	Art.-Nr. Rahmen	BLB	ELB	Signet	Mod.	Rahmentiefe Beckenbereich

Department	Konstruktion-Entwicklung	
Project	EF Euroform	
Collection	EF 651-78	
Drawn by	KA018	04.10.2006
<small>These drawings and specifications are the property of NIRO-Plan AG and shall not be reproduced, copied or transferred to any third party without the prior written permission of NIRO-Plan AG, Aarburg, Switzerland</small>		


 Franke GmbH
 D-79713 Bad Säckingen
 Telefon: +49 7761 52 0
 Telefax: +49 7761 52 294
 E-Mail: info@franke.de
 Internet: www.franke.de

ESP EF 651 780x475
Strichzeichnung

Format	Drawing No.	Rev.	Sheet
A4	0002-102940	H	1