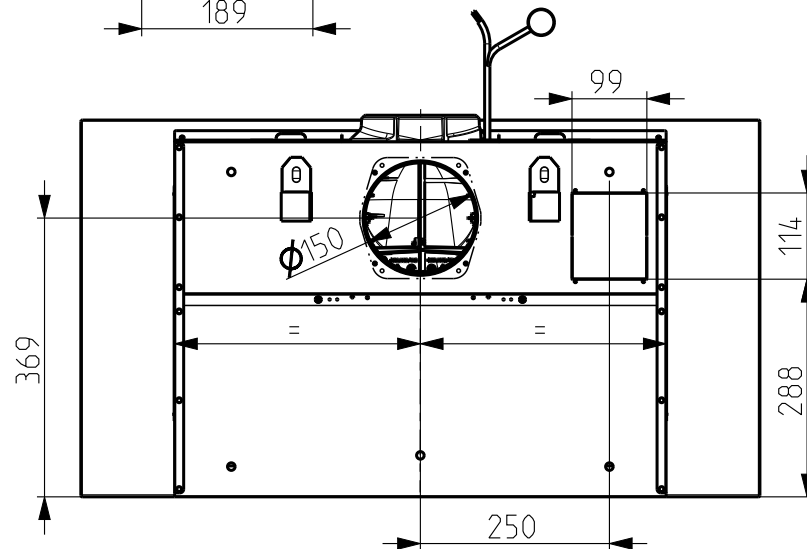
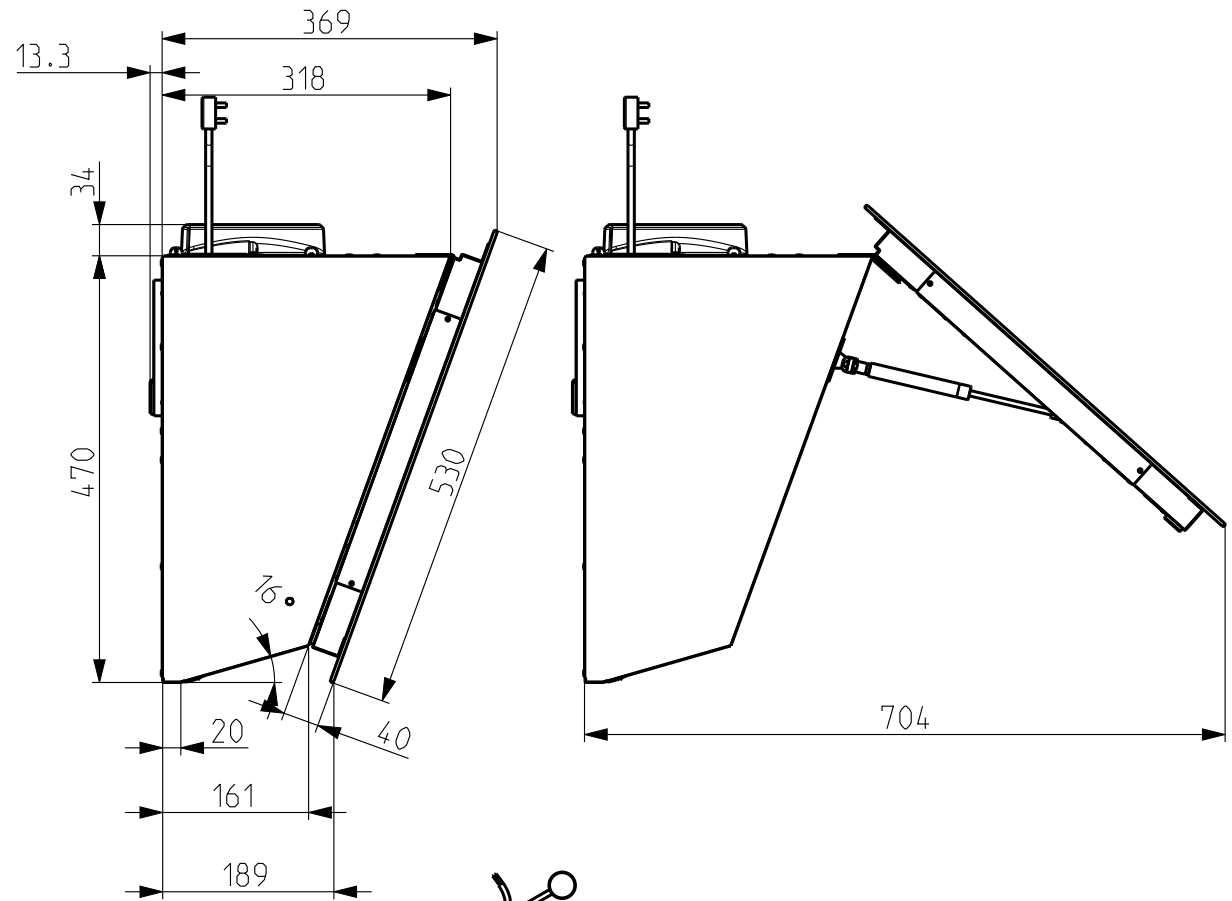
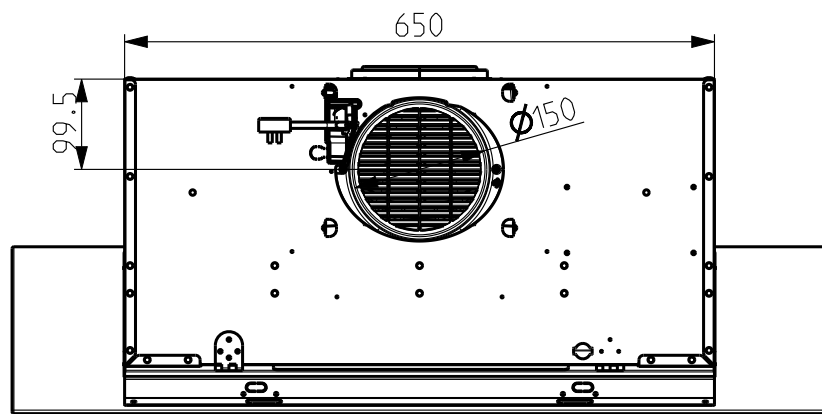
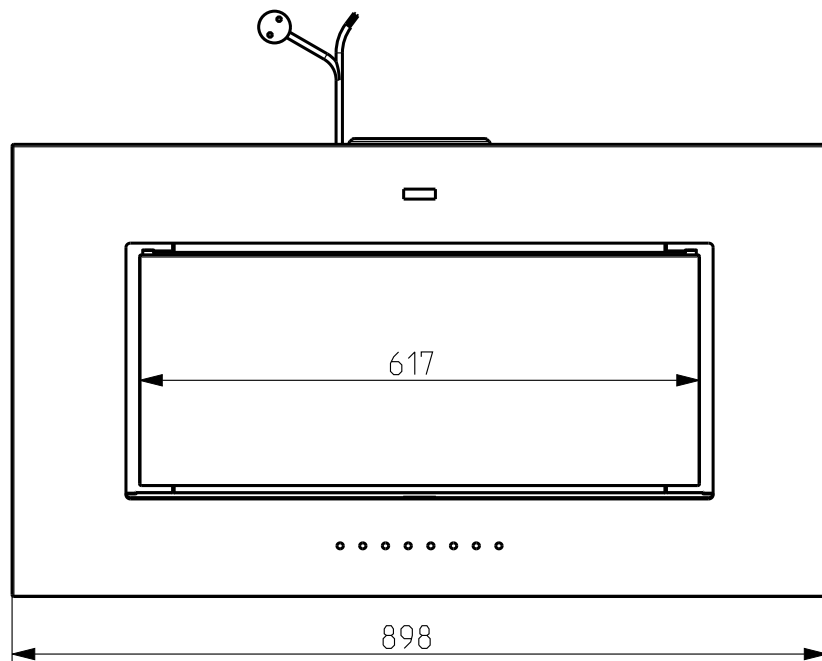
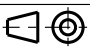


Created by Perelli, Francesco	
Denomination DIMENSIONAL DRAWING VERTICAL PRO	
Lang EN	Sheet 1/2
Modif.by	
Approved by Bellucci, Daniele	
Approval date 04-Mar-2024	
Doc. status Released	
Drawing N. 330071_741	Rev 02



Created by Perelli, Francesco	
Denomination DIMENSIONAL DRAWING VERTICAL PRO	
Lang EN 	Sheet 2/2
Modif.by	
Approved by Bellucci, Daniele	
Approval date 04-Mar-2024	
Doc. status Released	
Drawing N. 330071_741	Rev 02