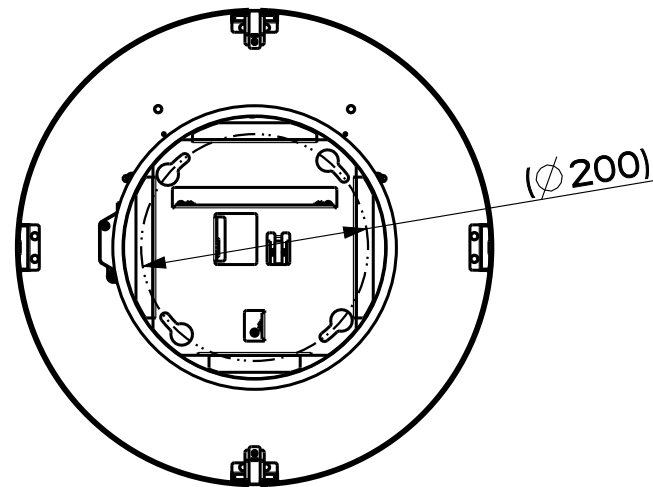
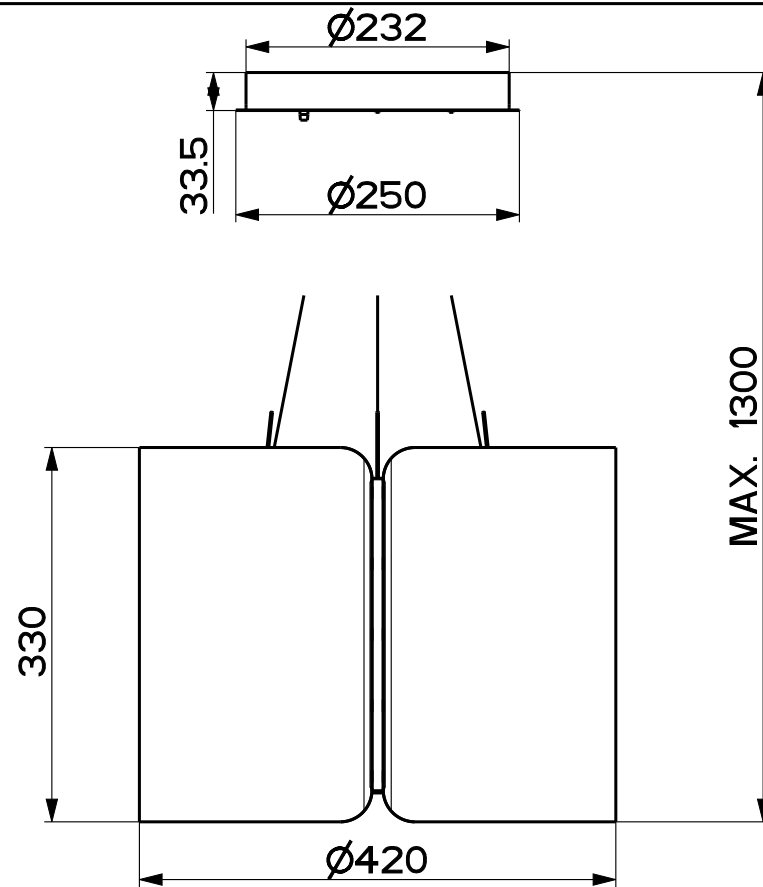



Created by -	
Denomination <b>DIMENSIONAL DRAWING CYLINDER</b>	
Lang EN	Sheet 1/2
Modif.by	
Approved by <b>Palazzi, Walter</b>	
Approval date <b>28-Jul-2021</b>	
Doc. status <b>Released</b>	
Drawing N. <b>345019_721</b>	Rev <b>01</b>



Created by -	
Denomination <b>DIMENSIONAL DRAWING CYLINDER</b>	
Lang <b>EN</b> 	Sheet <b>2/2</b>
Modif.by	
Approved by <b>Palazzi, Walter</b>	
Approval date <b>28-Jul-2021</b>	
Doc. status <b>Released</b>	
Drawing N. <b>345019_721</b>	Rev <b>01</b>