

1418.0050

Outlet unit w. horizontal outlet incl. water trap | Ø 50

Horizontal outlet incl. removable water trap that can be dismantled for cleaning, can be rotated 180 degrees if a rear facing outlet is required. The water trap has a 50 mm water seal.

Note: Extra low installation height and VA-approved.

Spare part: water trap item no. 1820.0050

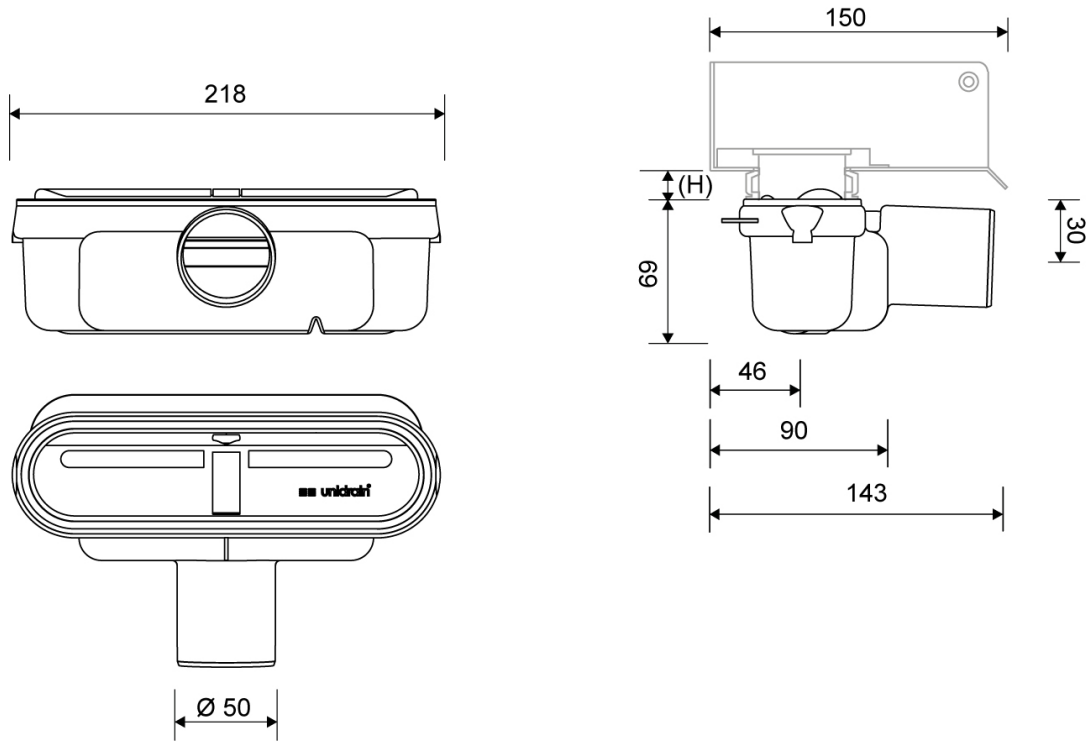


Specifications

ITEM NUMBER 1418.0050	GTIN NUMBER 5707692012711	WEIGHT INCLUDING PACKAGING 450 g
WEIGHT EXCLUDING PACKAGING 320 g	MATERIAL Plastic (PP)	USAGE Line drain
BARRIER With	FITS Drain unit: 1001, 1002, 1003, 1004, 1100, 3002, 3004, 5002, 5003, 4004	CAPACITY 0,54 l/s
SIDE INLET Without	CENTER 30 mm	

FITTING HEIGHTS - LINE FAUCETS 1001, 1002, 1003, 1004

Ø	Outlet direction	300	600	700	800	900	1000	1200
Ø 50 mm	Horizontal	81 mm	85 mm	86 mm	87 mm	88 mm	89 mm	91 mm



1418.0050

Products