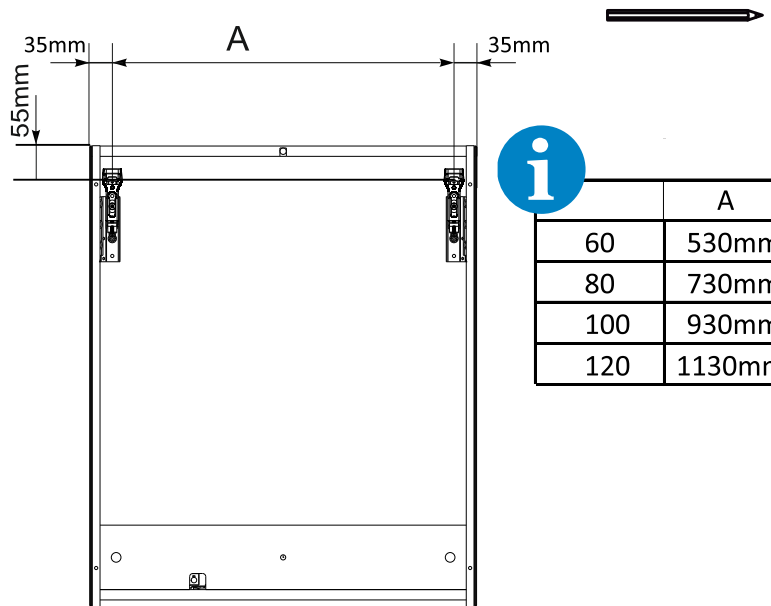
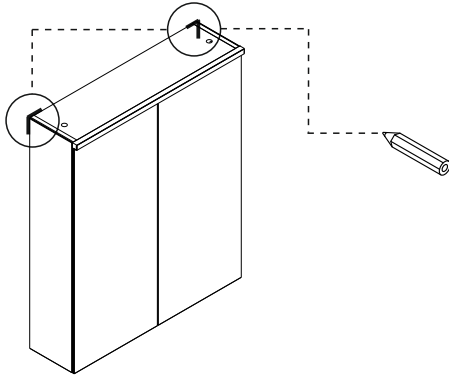
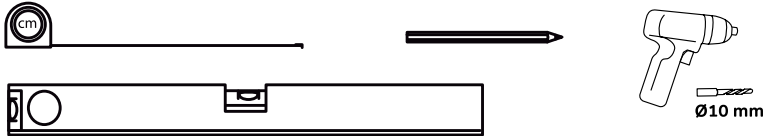
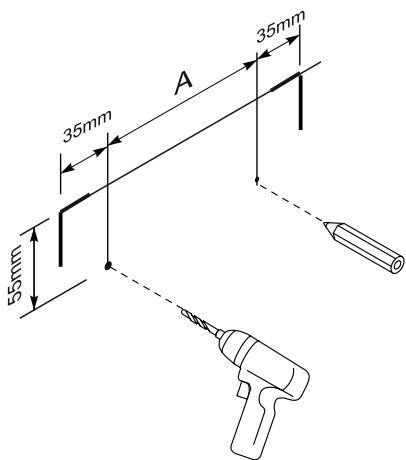


1



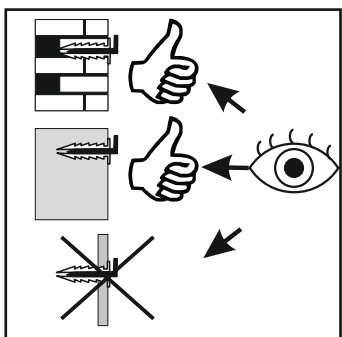
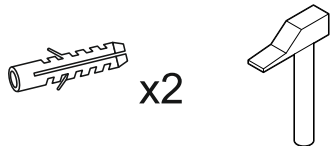
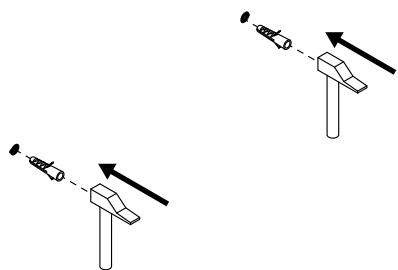
	A
60	530mm
80	730mm
100	930mm
120	1130mm

2

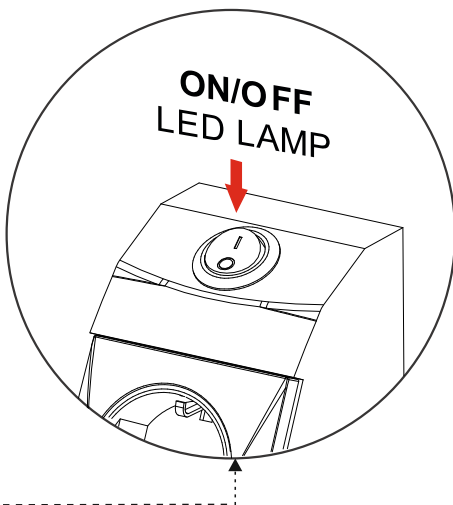
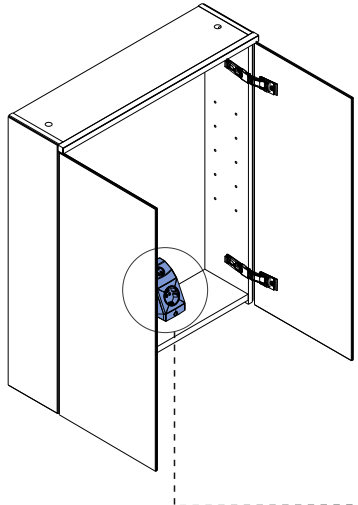
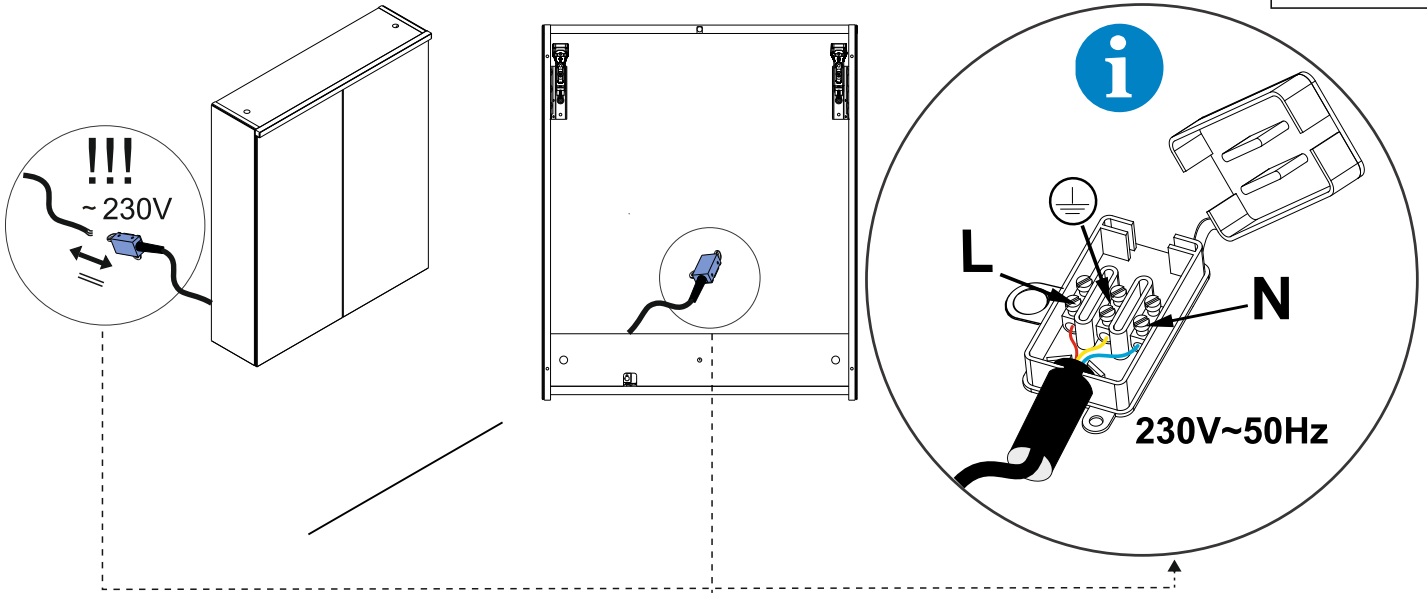
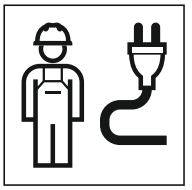


	A
60	530mm
80	730mm
100	930mm
120	1130mm

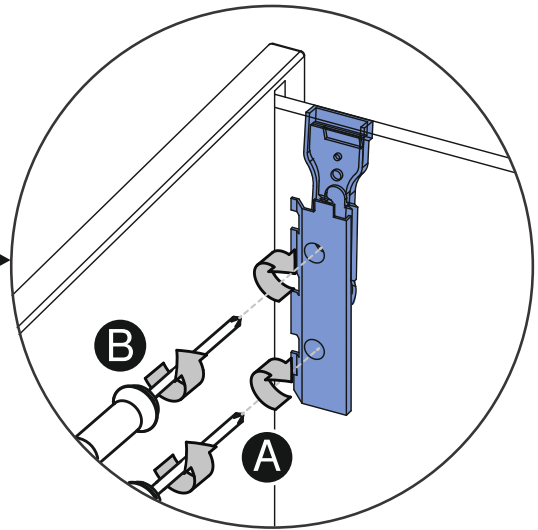
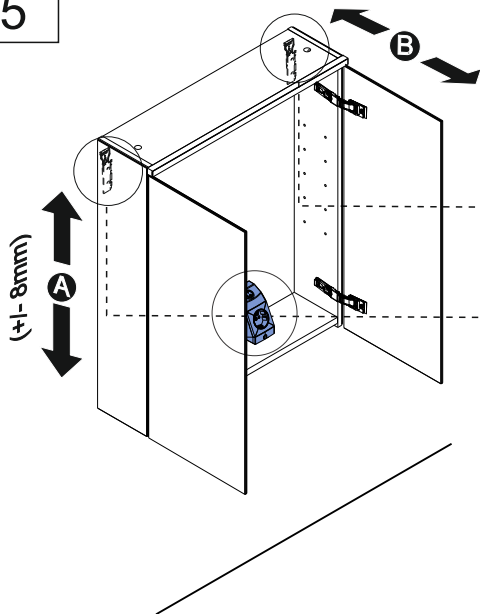
3



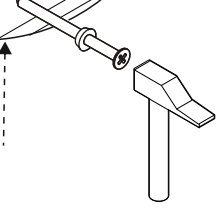
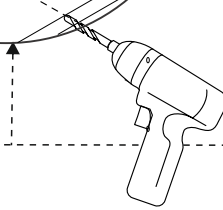
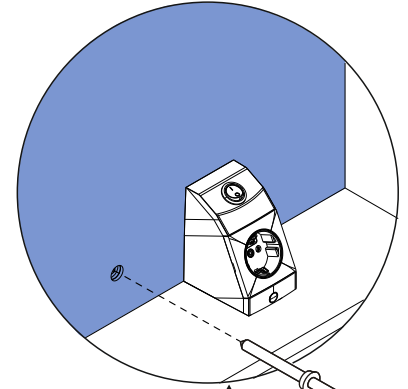
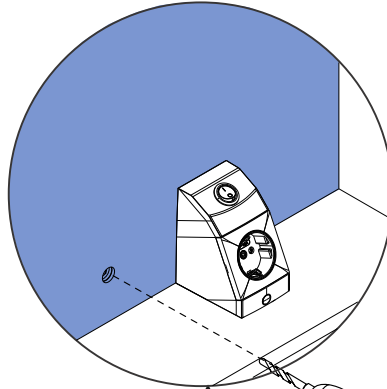
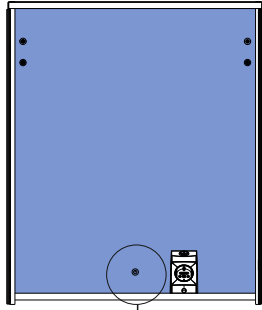
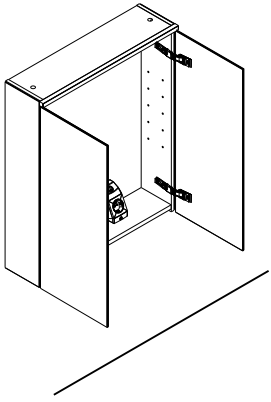
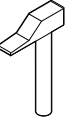
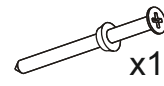
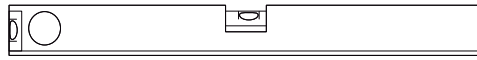
4



5

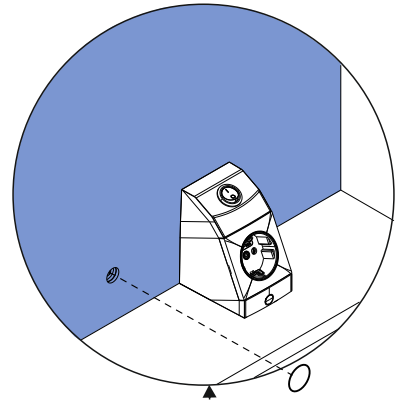
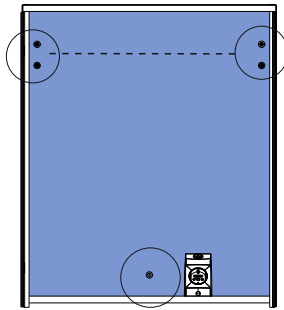
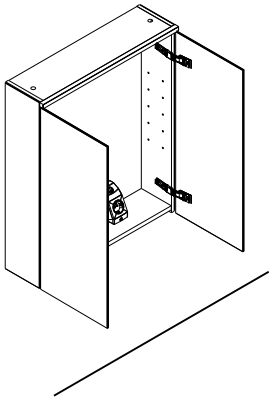


6



7

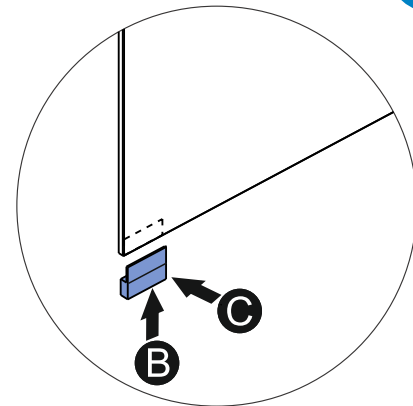
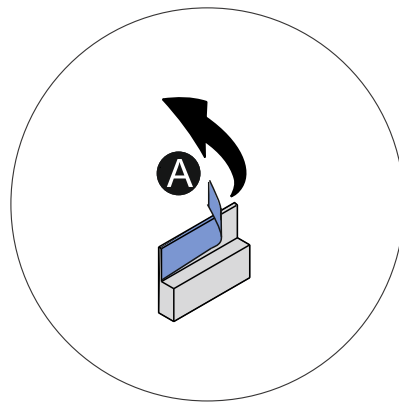
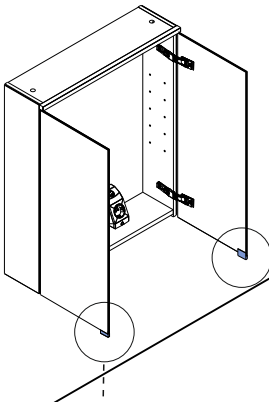
○ x5



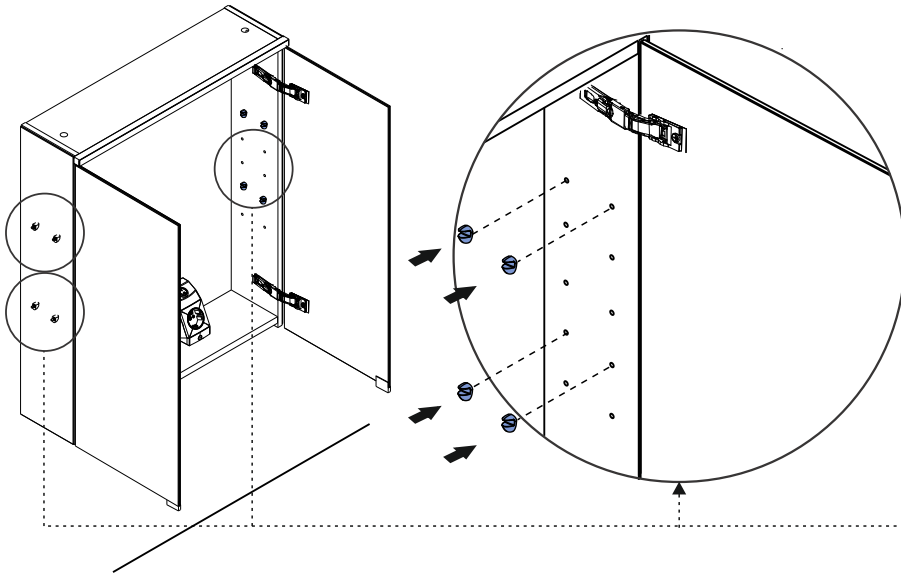
8



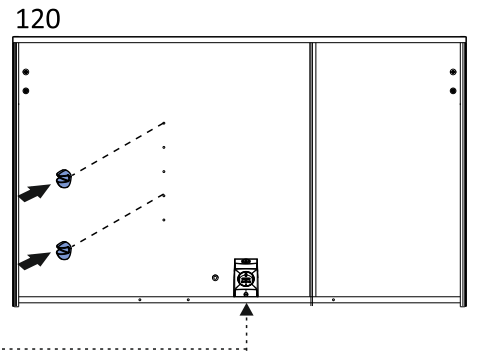
60	
80	X2
100	
120	X3



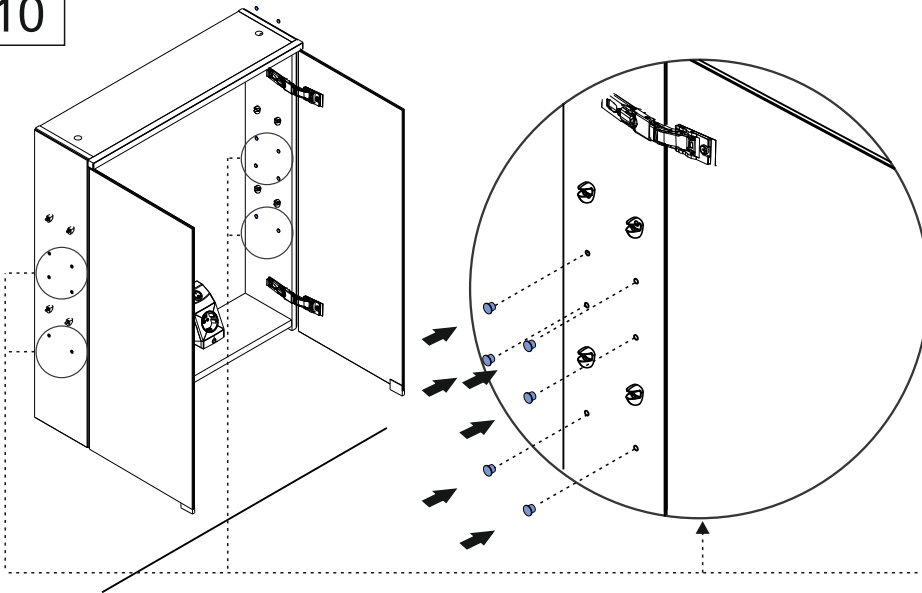
9



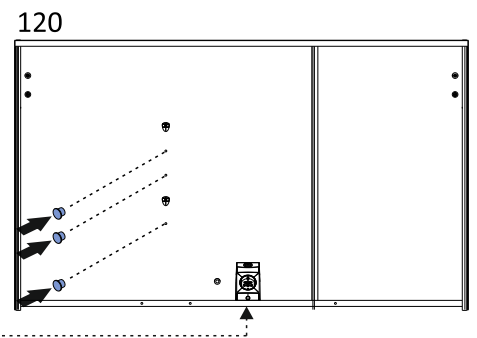
60	X8
80	
100	X16
120	X18



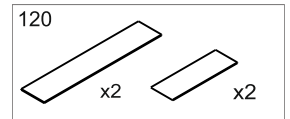
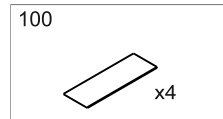
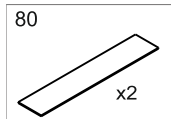
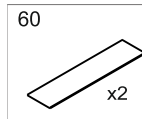
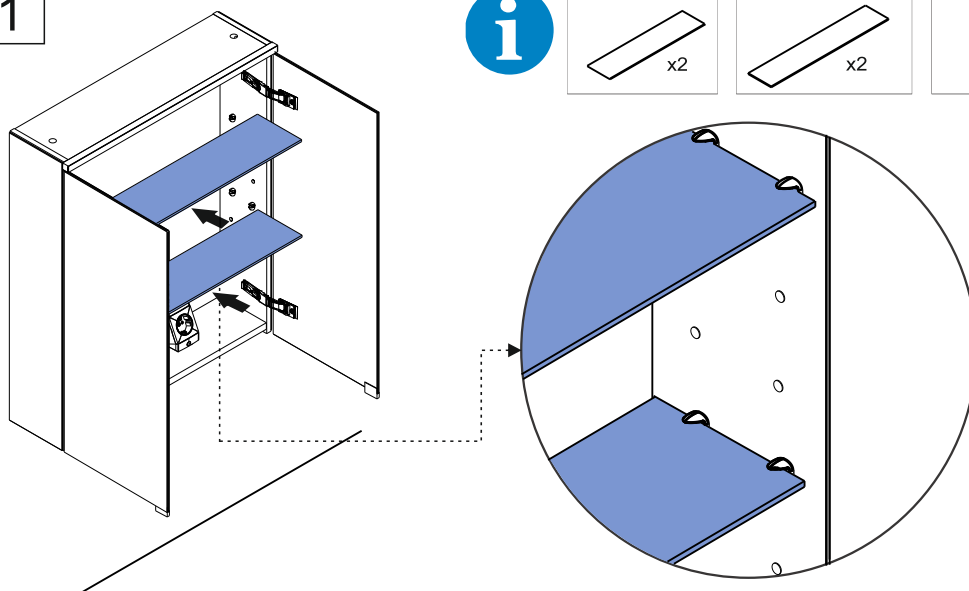
10



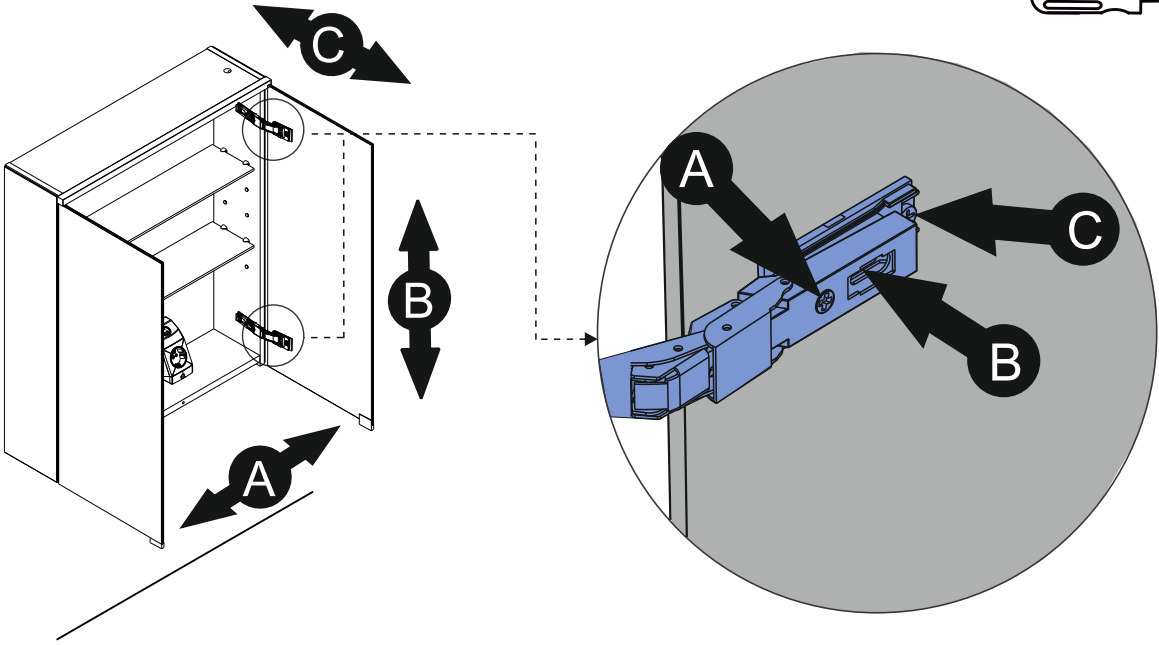
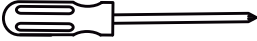
60	X12
80	
100	X24
120	X27



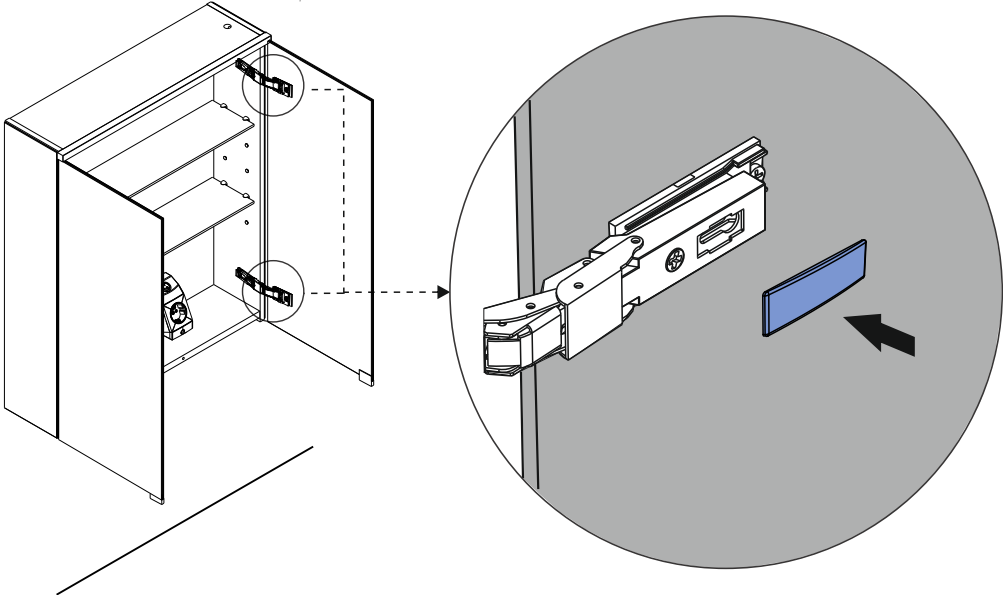
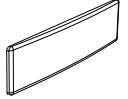
11



12



13



60	
80	X4
100	
120	X6

