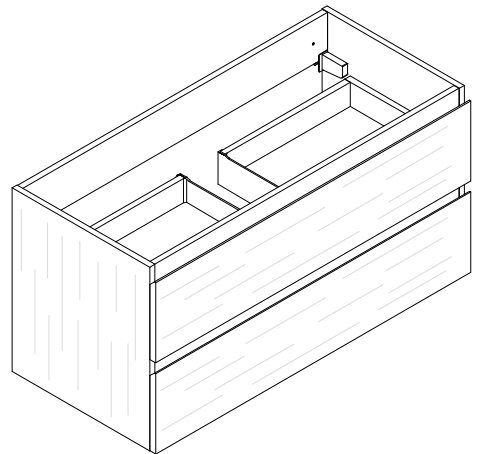
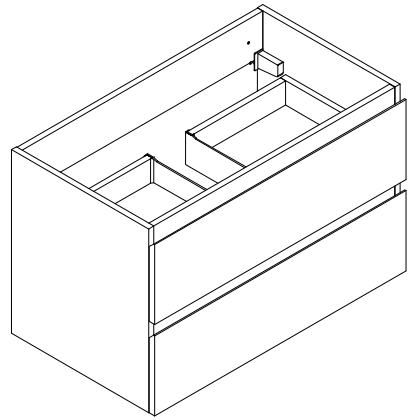
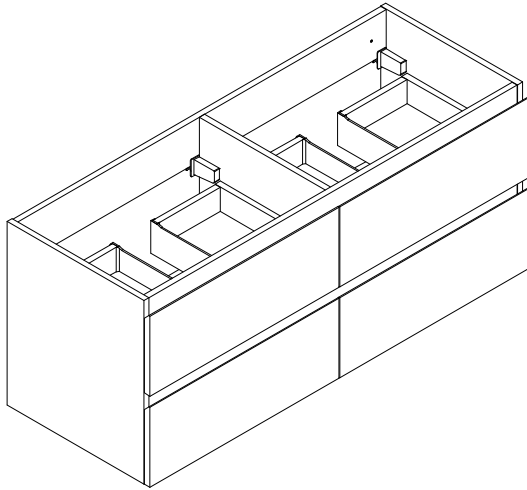




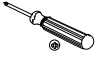
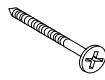
SAT

BWAY260W
BWAY260OAK
BWAY260NUT
BWAY280W
BWAY280OAK
BWAY280NUT

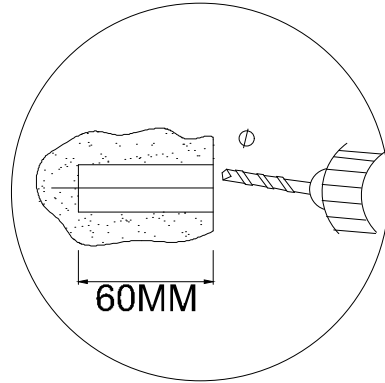
BWAY2100W
BWAY2100OAK
BWAY2100NUT
BWAY2120W
BWAY2120OAK
BWAY2120NUT



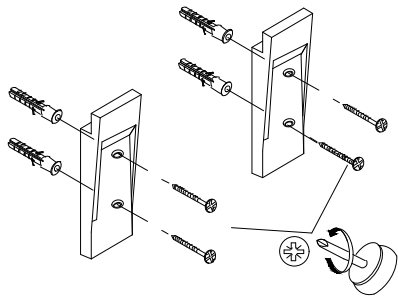
1



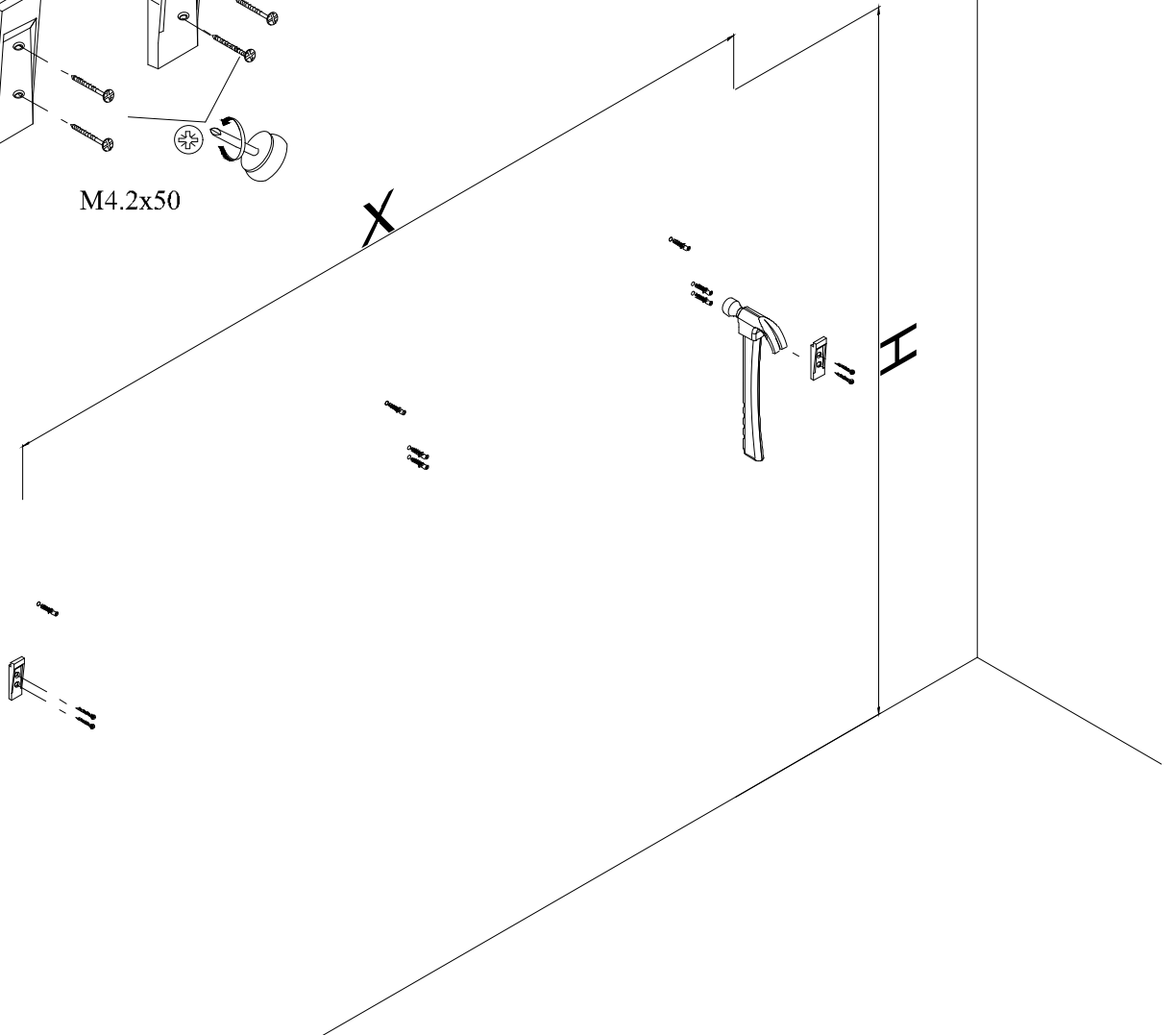
20mm

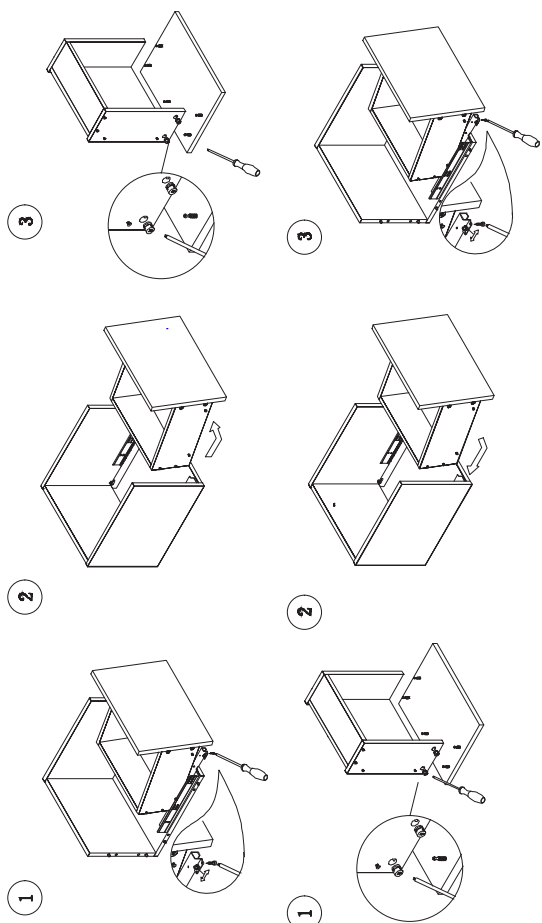
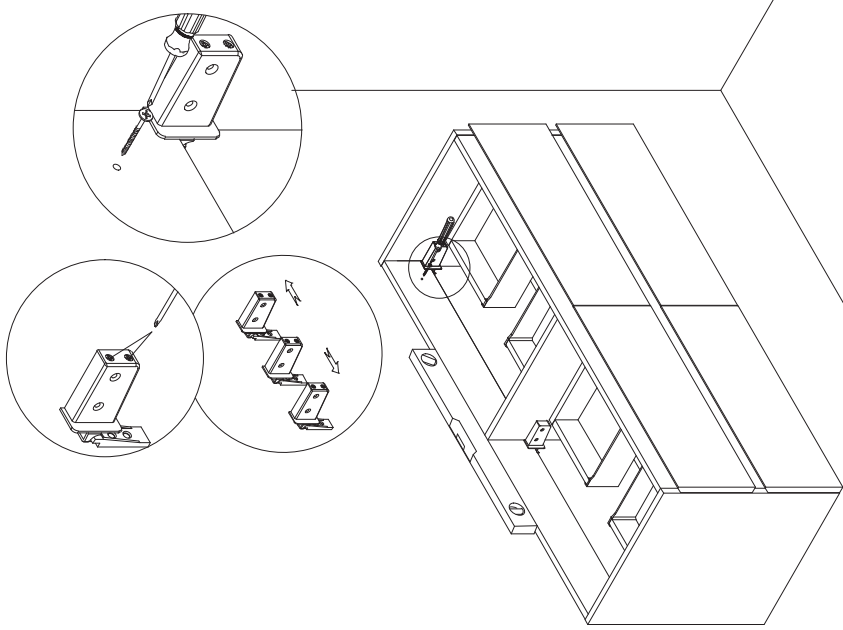


60MM

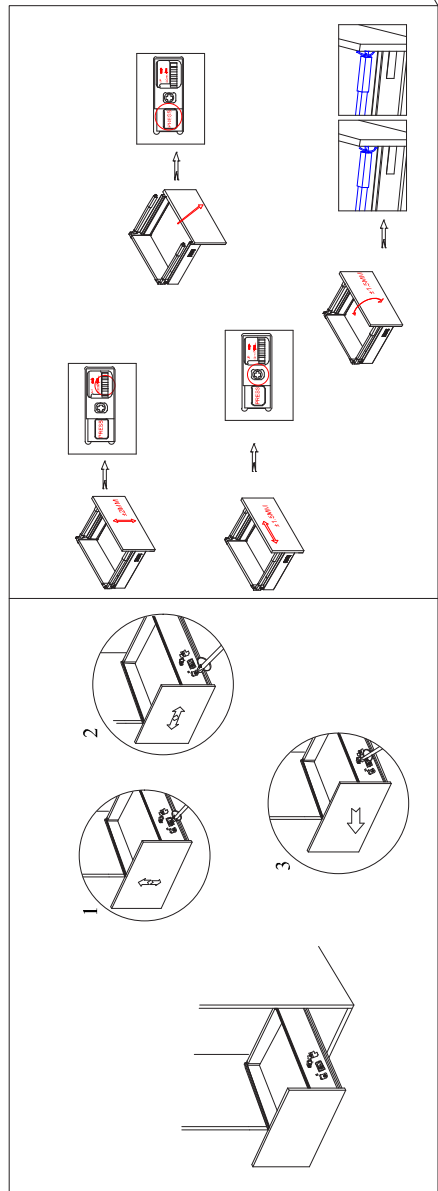


M4.2x50

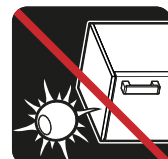
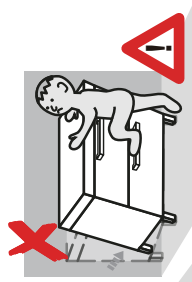
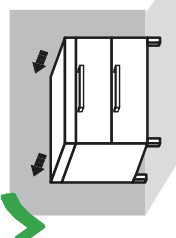




1
2
3



1
2
3



SAT® is registered trademark of



**Swiss
Aqua
Technologies**

Swiss Aqua Technologies AG
Gewerbstrasse 9, 6330 Cham, Switzerland
www.swatec.ch
Imported by SIKO KOUPELNY a.s.
Made in P.R.C.