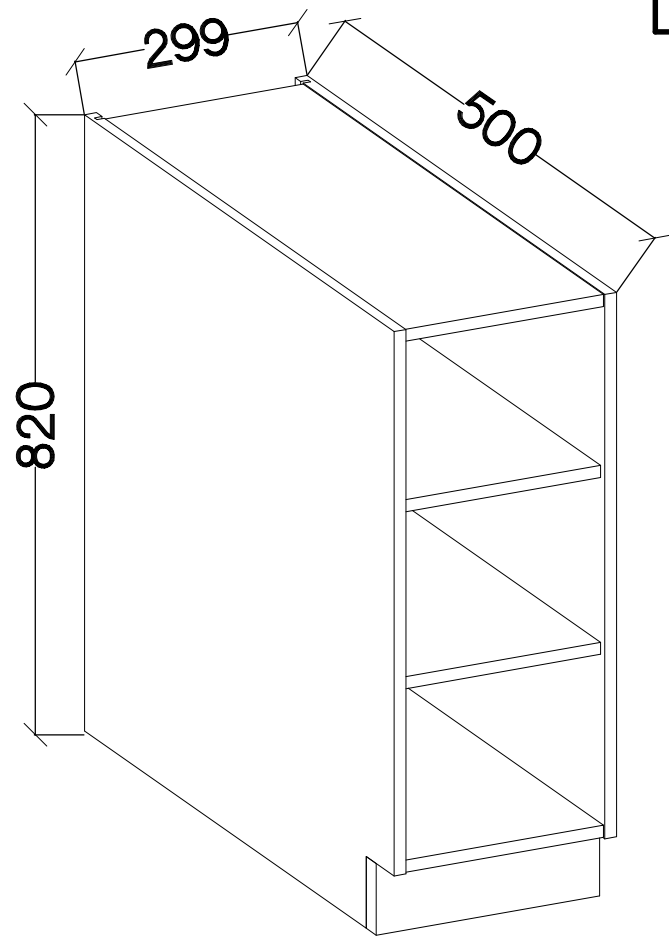
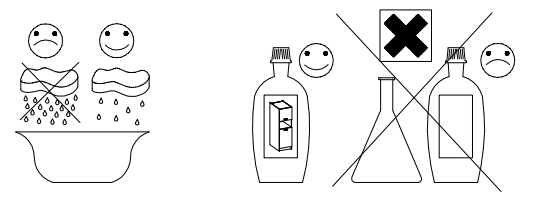
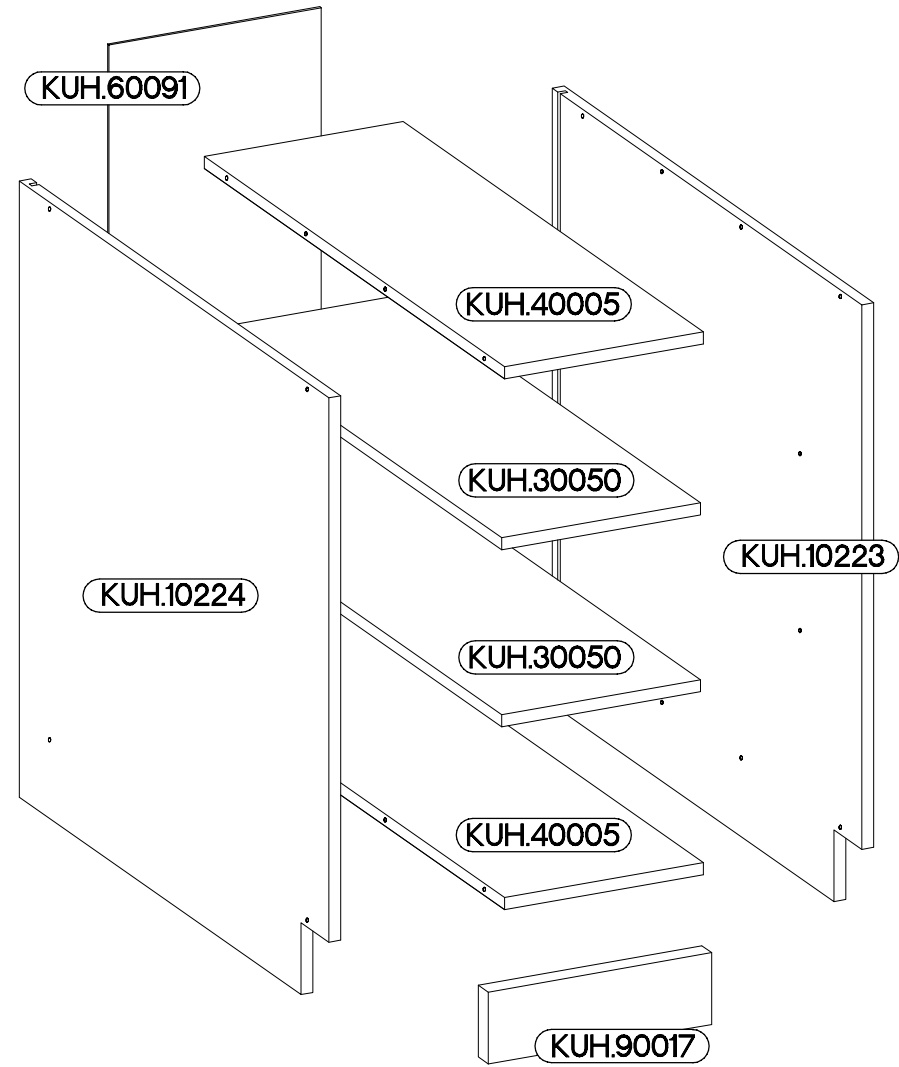
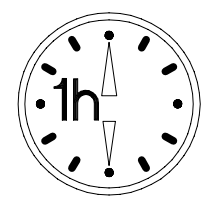


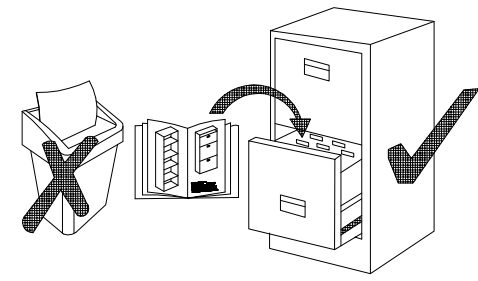
30 D OTW BB



max. 10kg  
 KUH.30050  
 KUH.40005

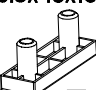
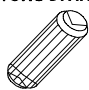


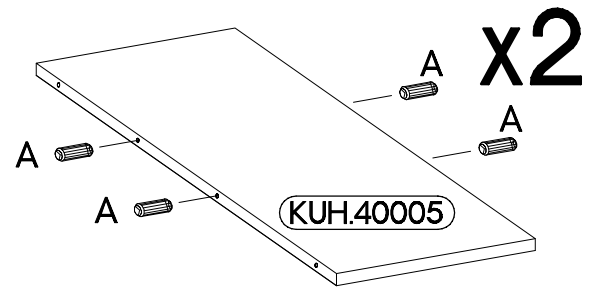
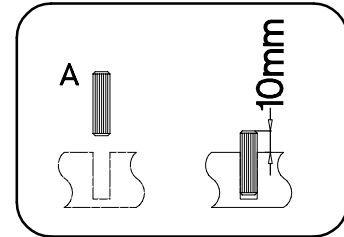
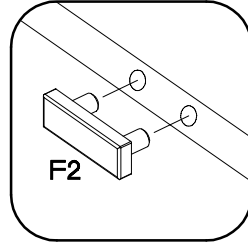
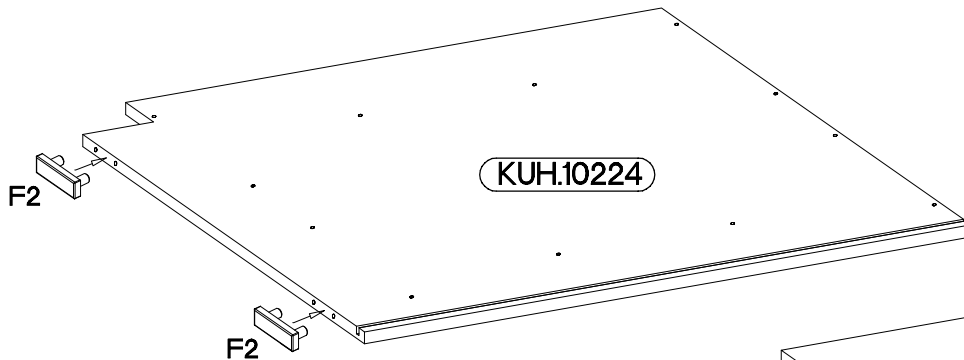
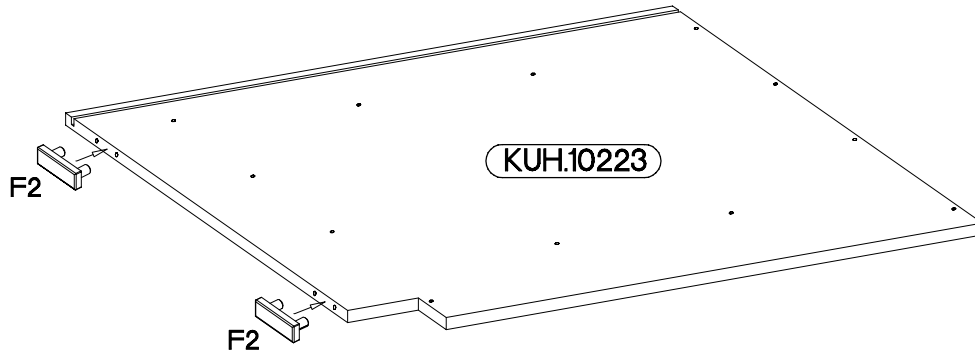
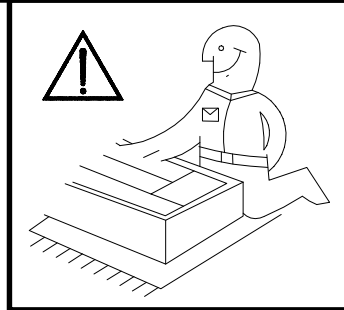
 +8x30mm A 8	 6,4 x 50mm B 8	 E1 8	 6.5x48x16 F2 4	 J3 8
 O 1	 +4.0x16mm P1 2	 +3.0x20mm P7 8-10	 T3 1	




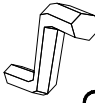

ISM-KUH-00985

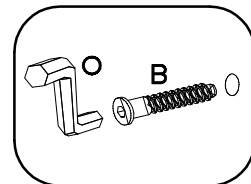
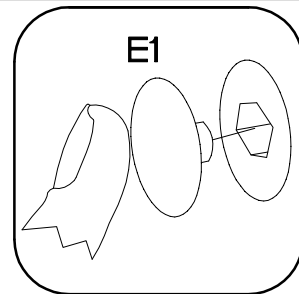
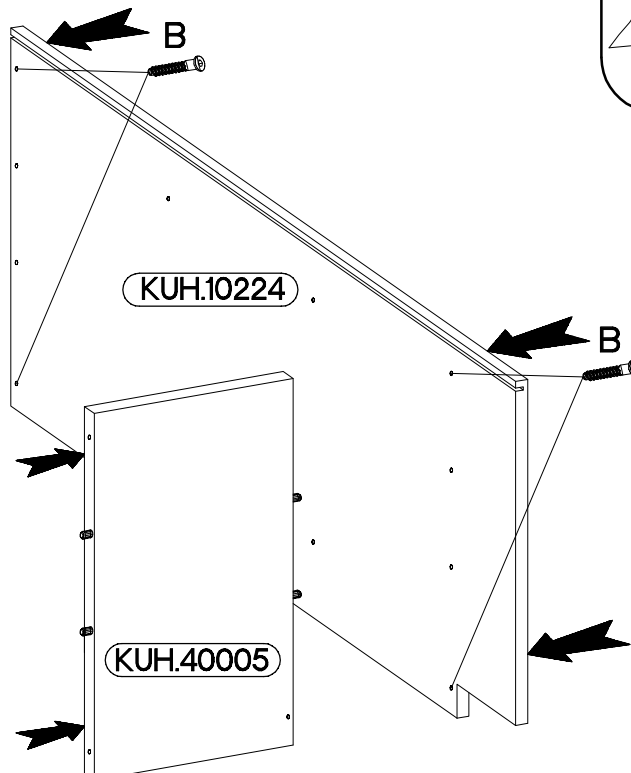
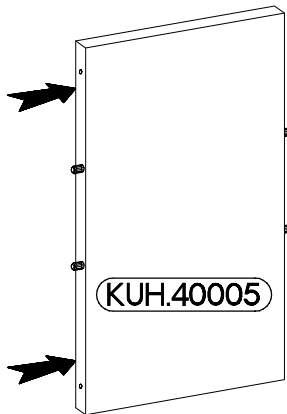
1

6.5x48x16  F2 4	+8x30mm  A 8
--	---


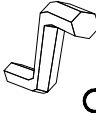



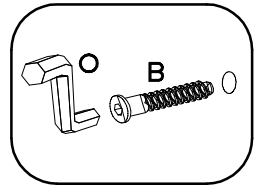
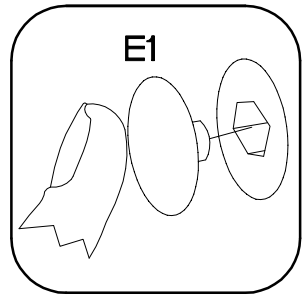
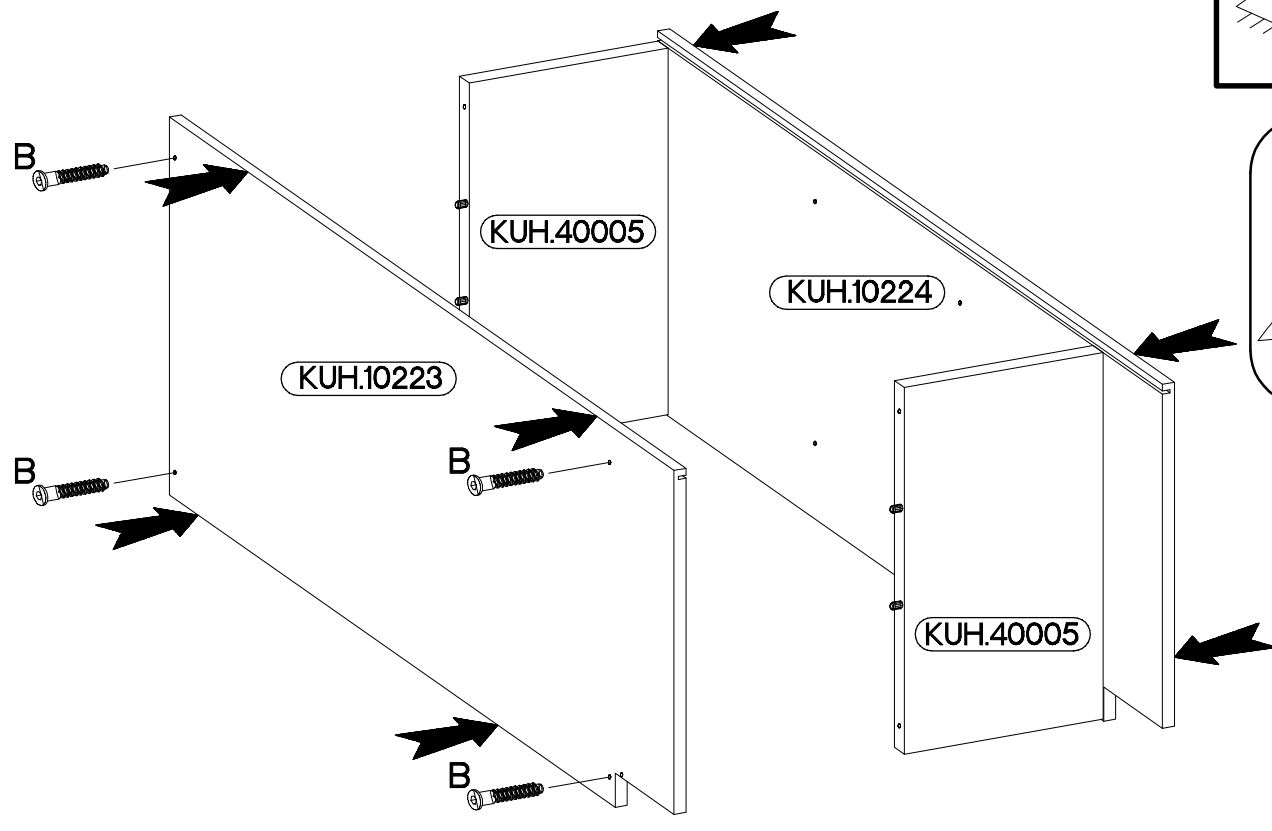
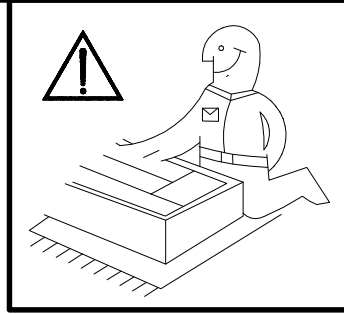
2

6,4 x 50mm  B 4	 O 1	 E1 4
---	---	--




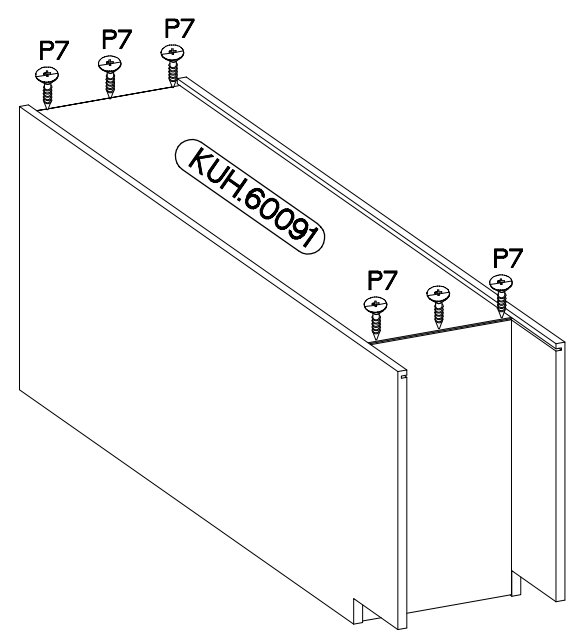
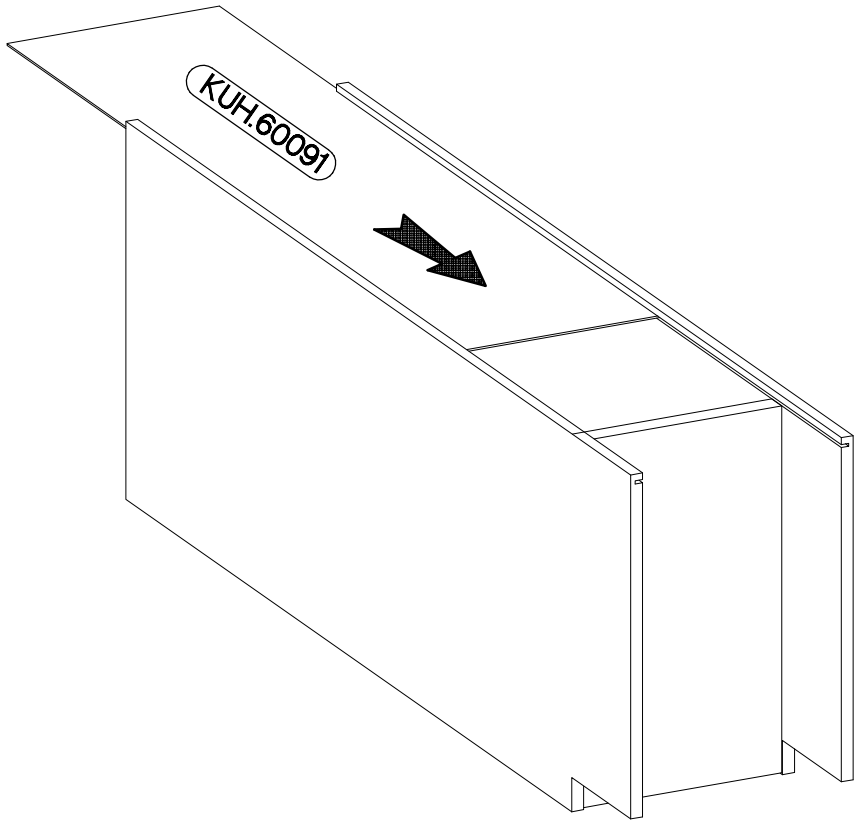
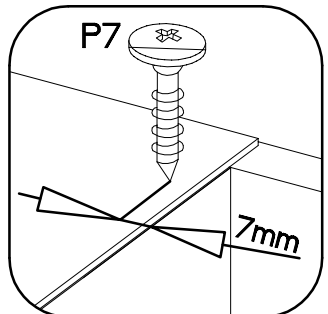
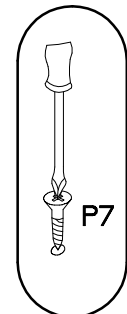
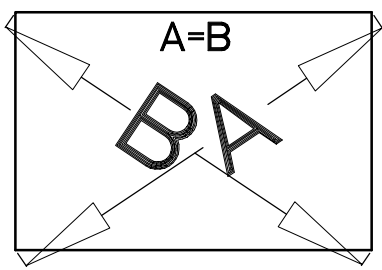
3

6,4 x 50mm			
	<b>B</b>	<b>O</b>	<b>E1</b>
	4	1	4

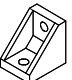



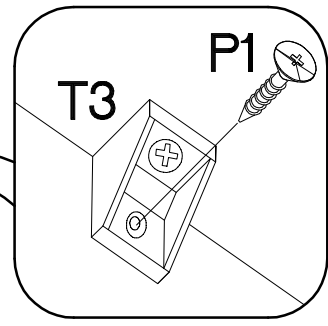
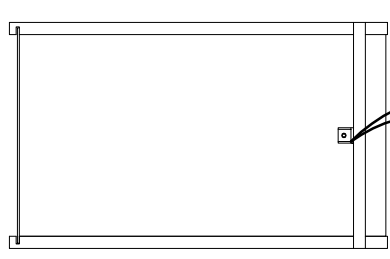
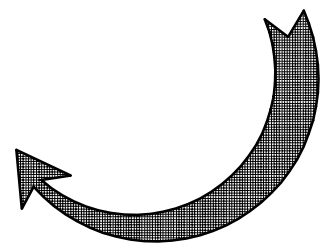
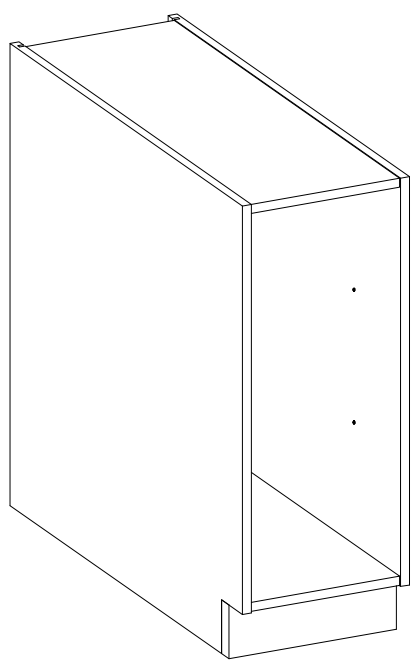
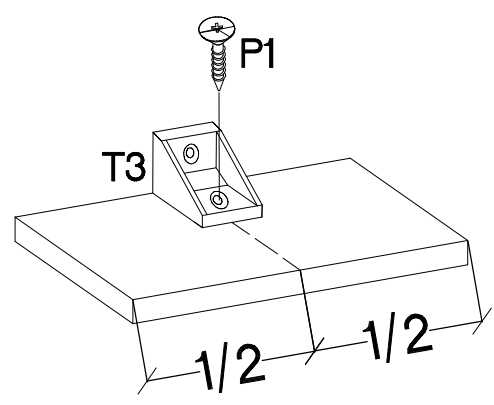
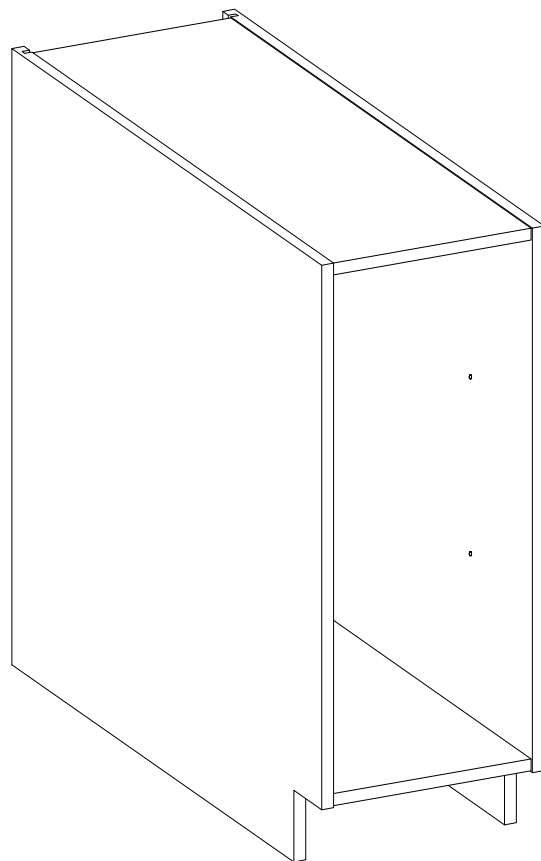
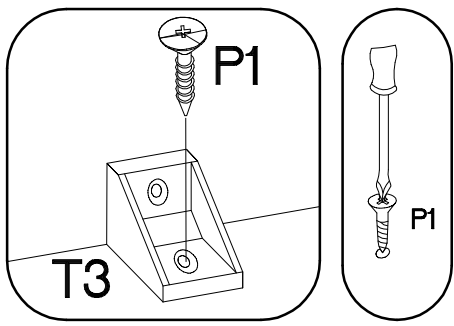
4

3.0x20mm	
	<b>P7</b>
	8-10

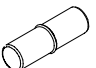


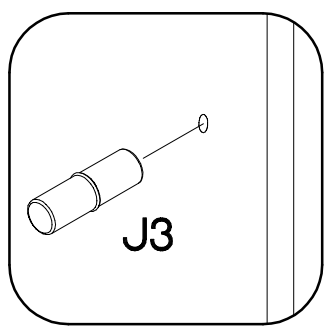
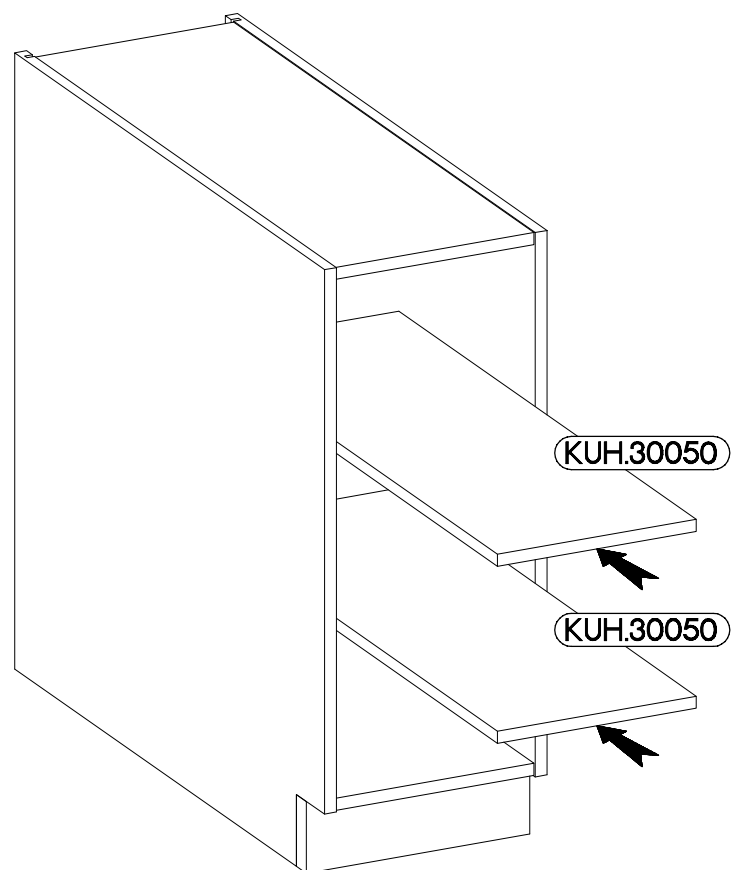
5

	4.0x16mm 
T3	P1
1	2



6


J3
8



KUH.30050

KUH.30050