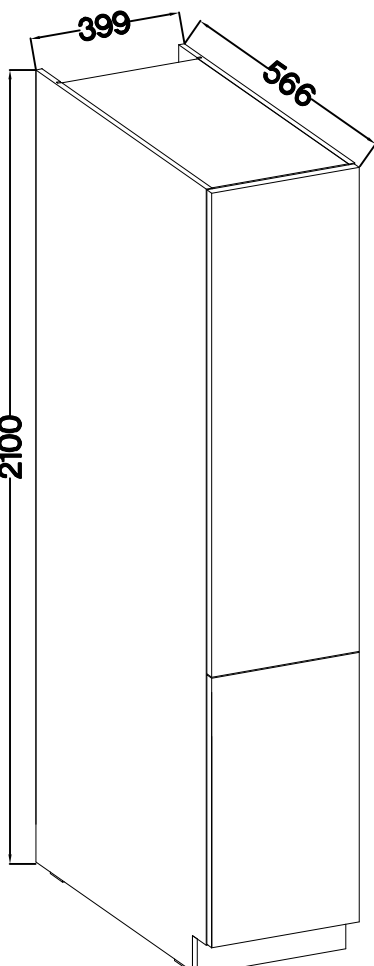
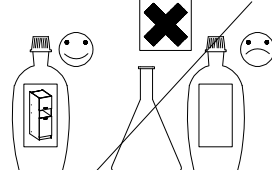
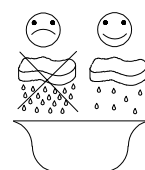
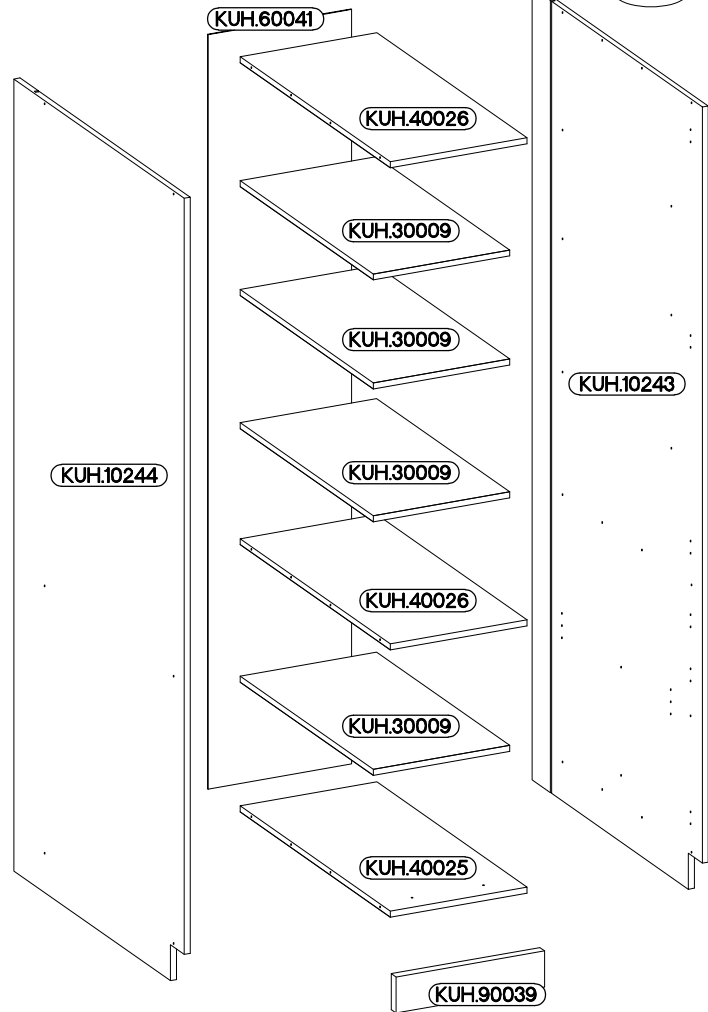




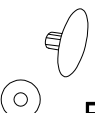
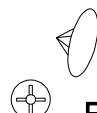

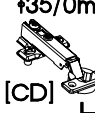

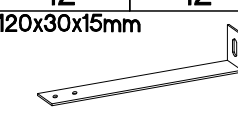



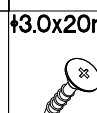
40 DK-2100 2F

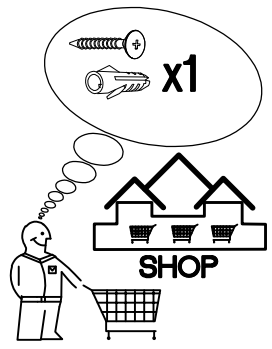


max. 10kg
 KUH.30009
 KUH.40025
 KUH.40026



Ersatzteil Nummer	Dimension
KUH.10243	2095x550x16
KUH.10244	2095x550x16
KUH.30009 x4	366x430x16
KUH.40025	367x485x16
KUH.40026 x2	367x485x16
KUH.60041	1996x385x2,5
KUH.90039	399x95x16

 A	 B	 E1	 E9	 F2	 HG
12	12	12	2	4	5
 J	 L25	 O	 P4	 P5	 P7
16	1	1	2	12	10-15

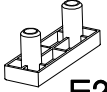


ISM-KUH-01614

1

6.5x48x16

+8x30mm



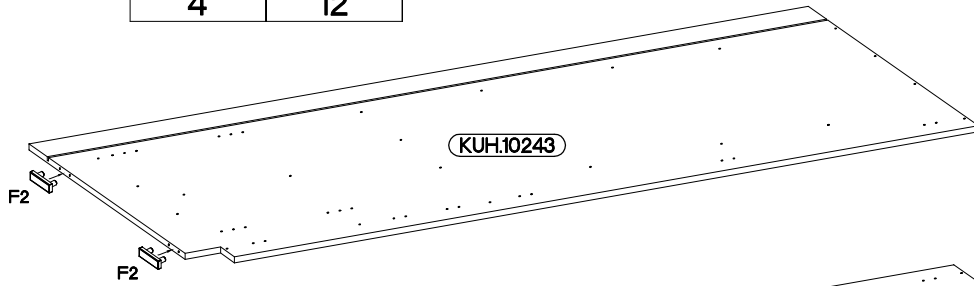
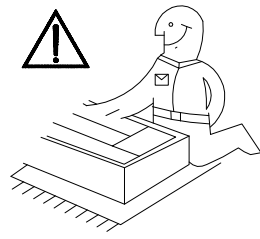
F2

4



A

12

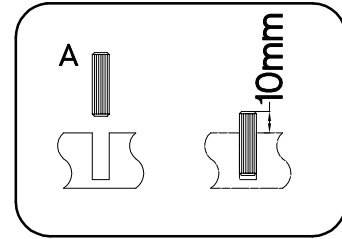


KUH.10243

F2

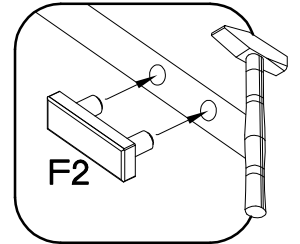
F2

F2

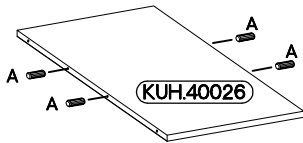


A

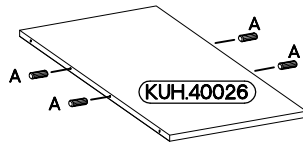
10mm



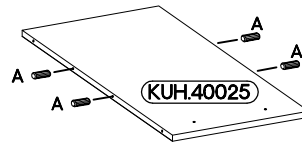
F2



KUH.40026



KUH.40026



KUH.40025

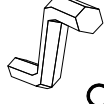
2

6,4 x 50mm



B

6



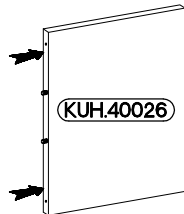
O

1

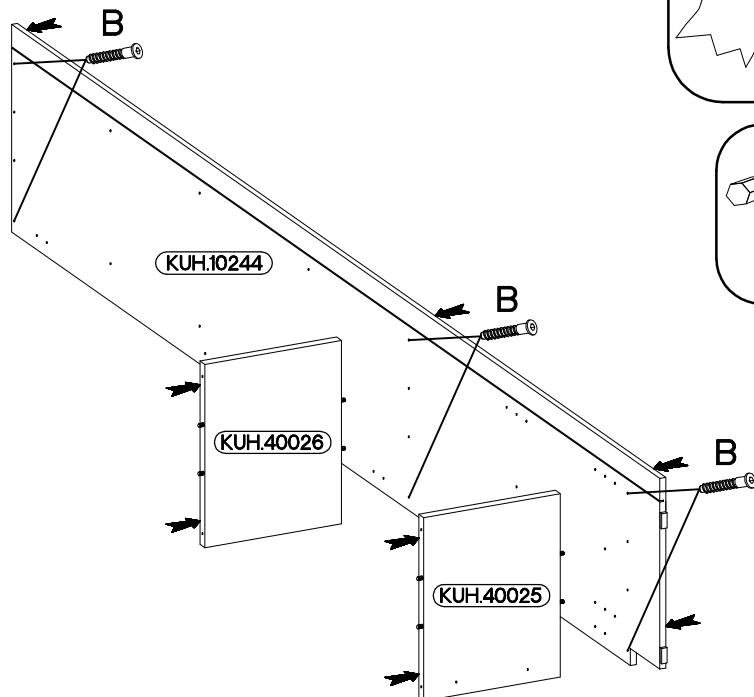


E1

6



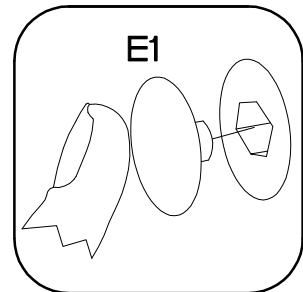
KUH.40026



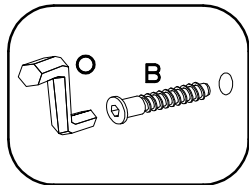
KUH.10244

KUH.40026

KUH.40025



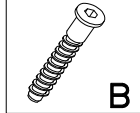
E1



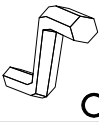
B

3

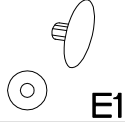
6,4 x 50mm



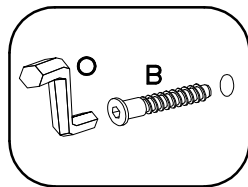
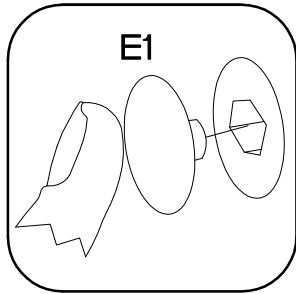
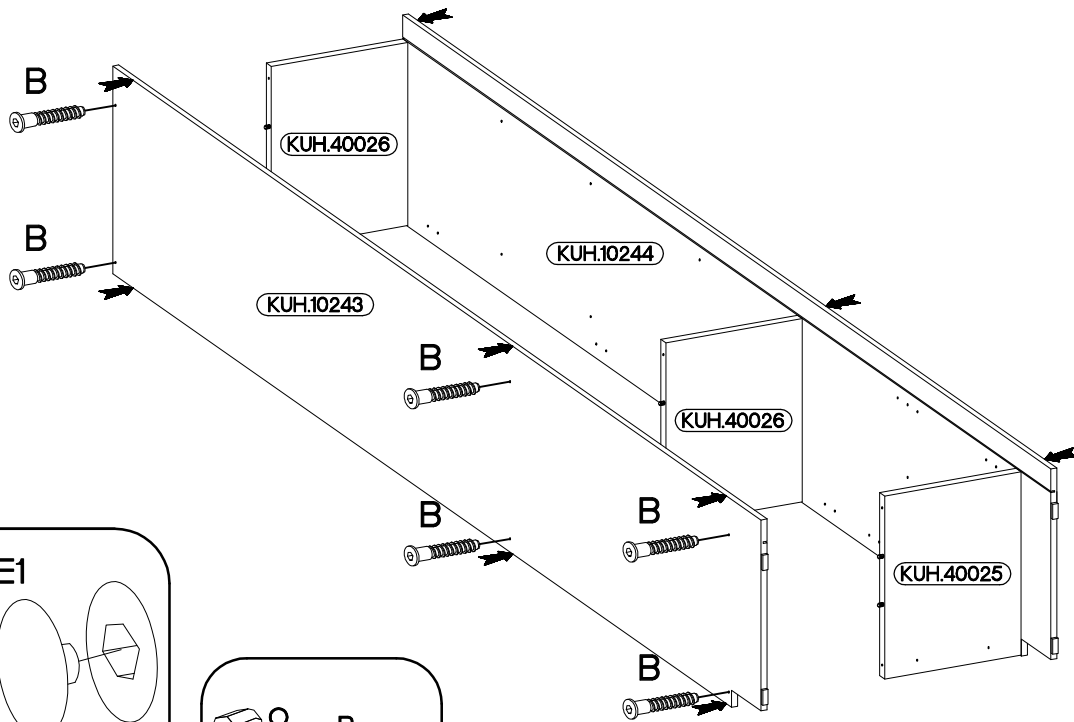
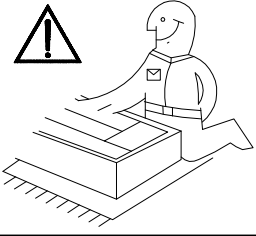
6



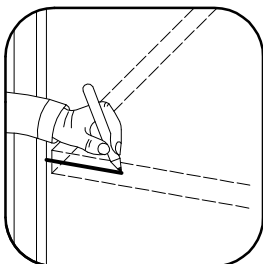
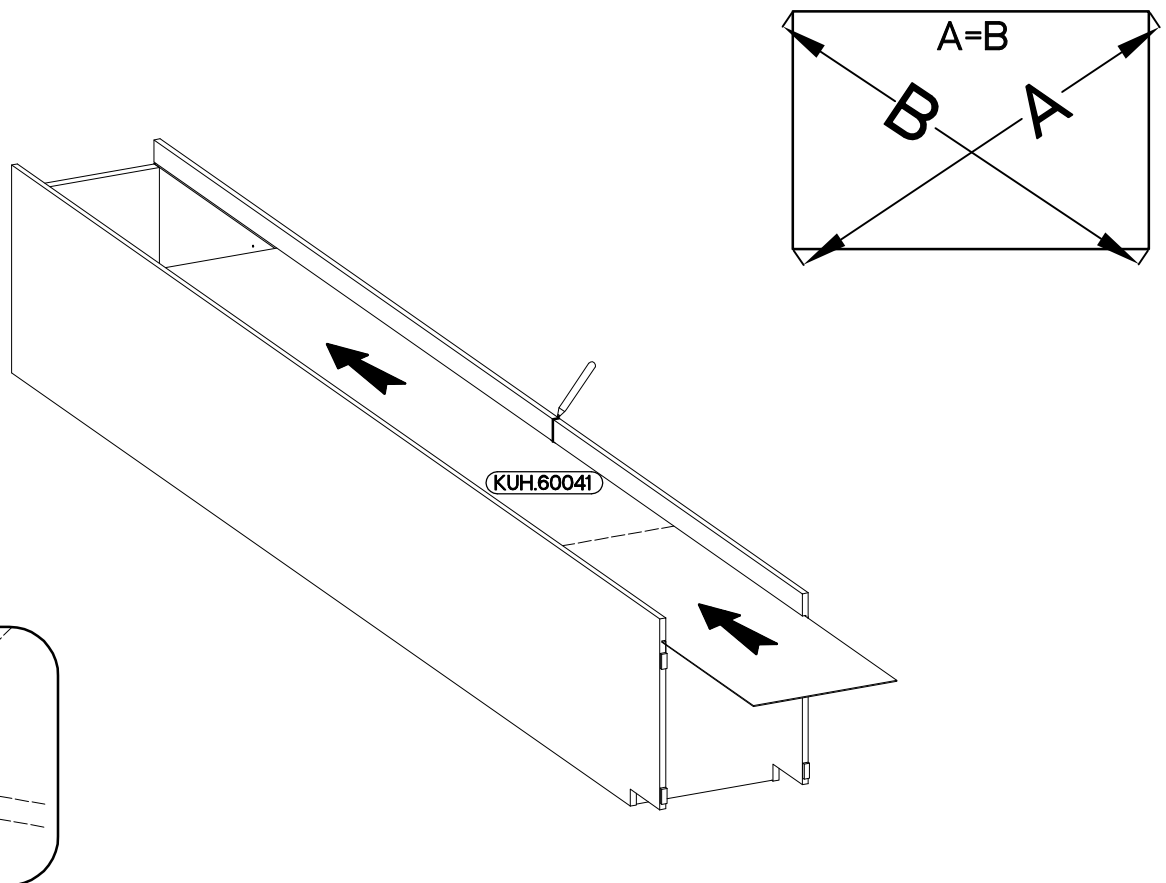
1



6



4



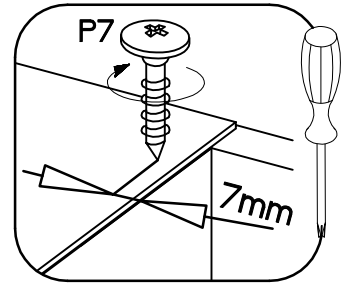
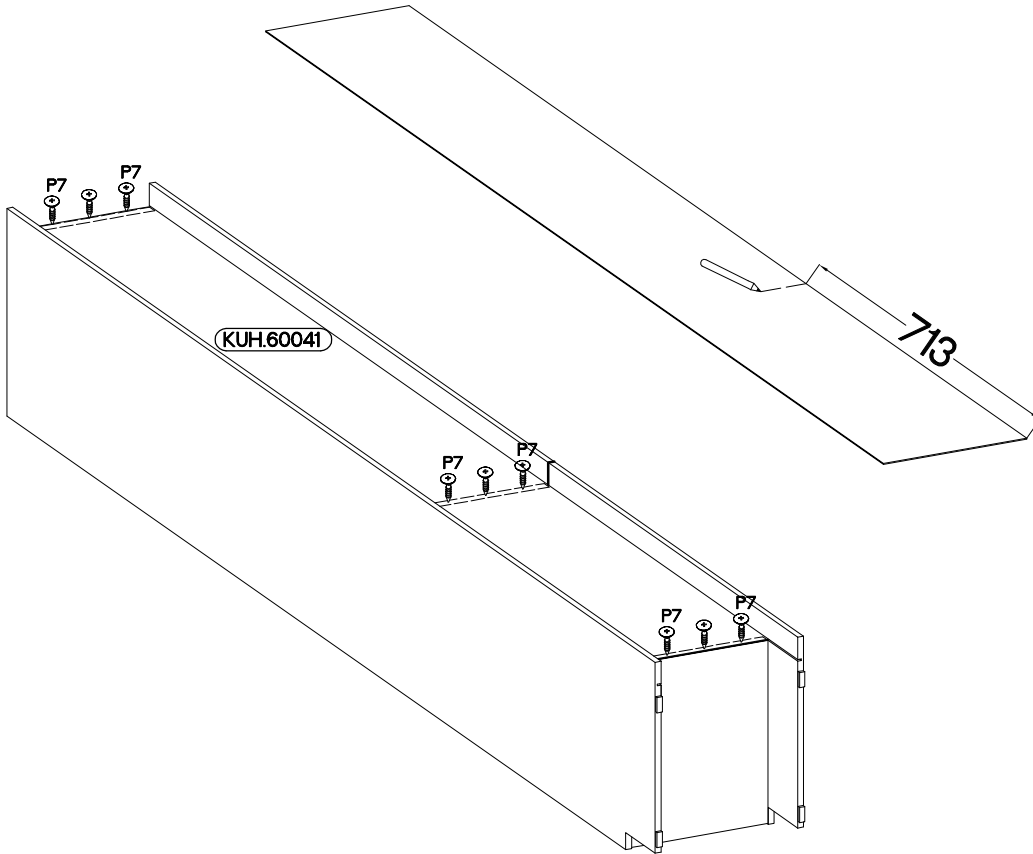
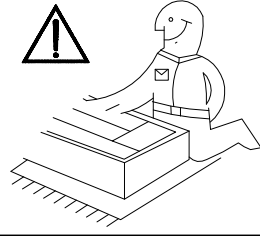
5

φ3.0x20mm



P7

10-15



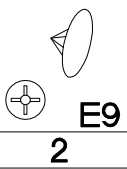
6

φ4.0x45mm



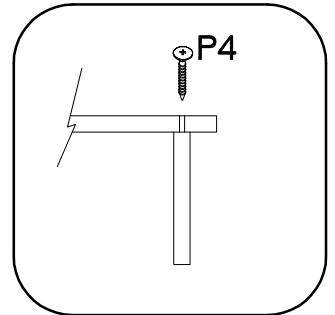
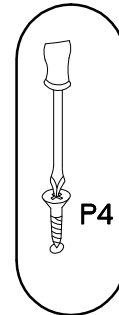
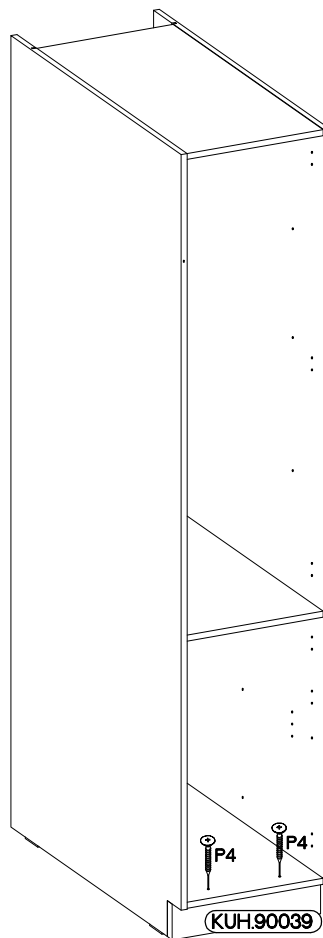
P4

2




E9

2



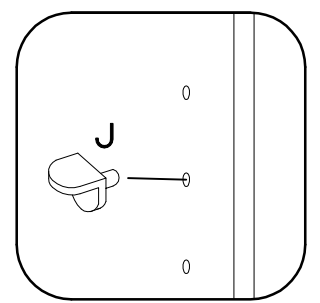
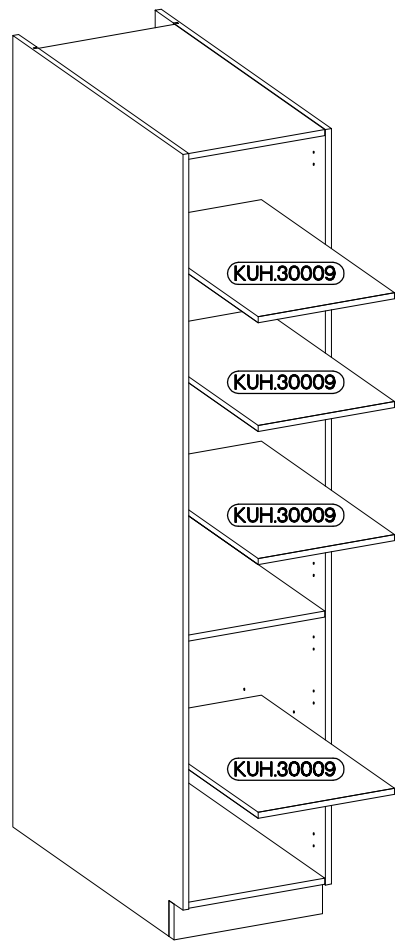
7

±5/19mm





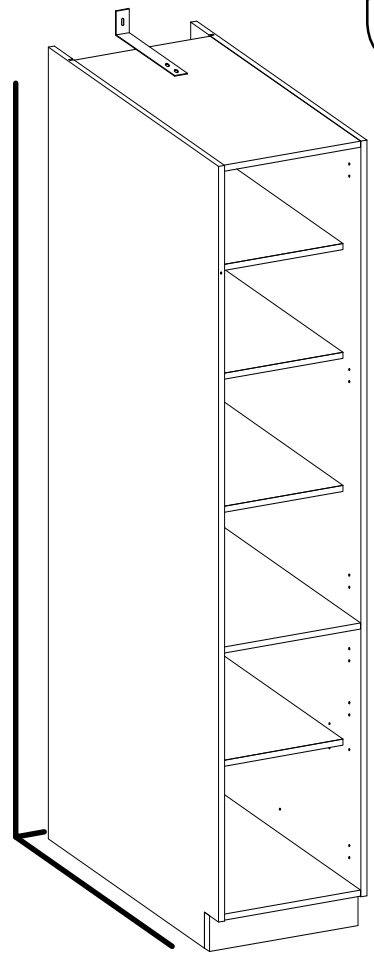
J

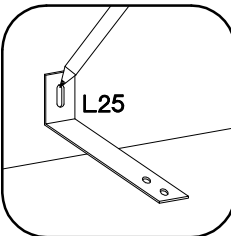
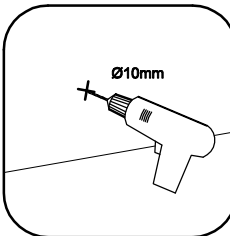
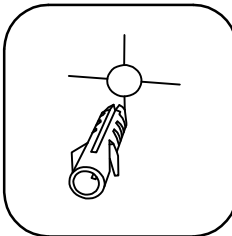
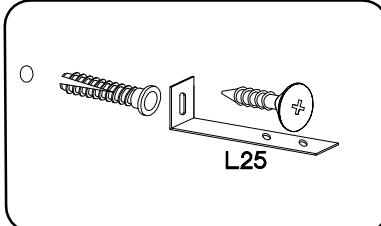
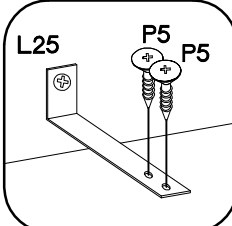
16

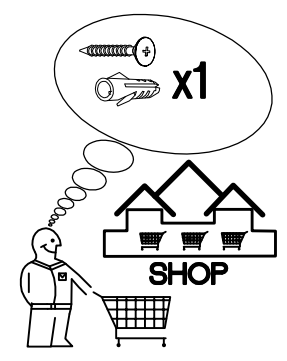
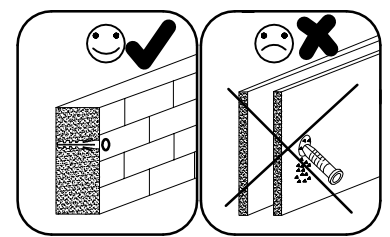


8

120x30x15mm	±3.5x13mm
	
L25	P5
1	2



- 
- 
- 
- 
- 



FRONT

