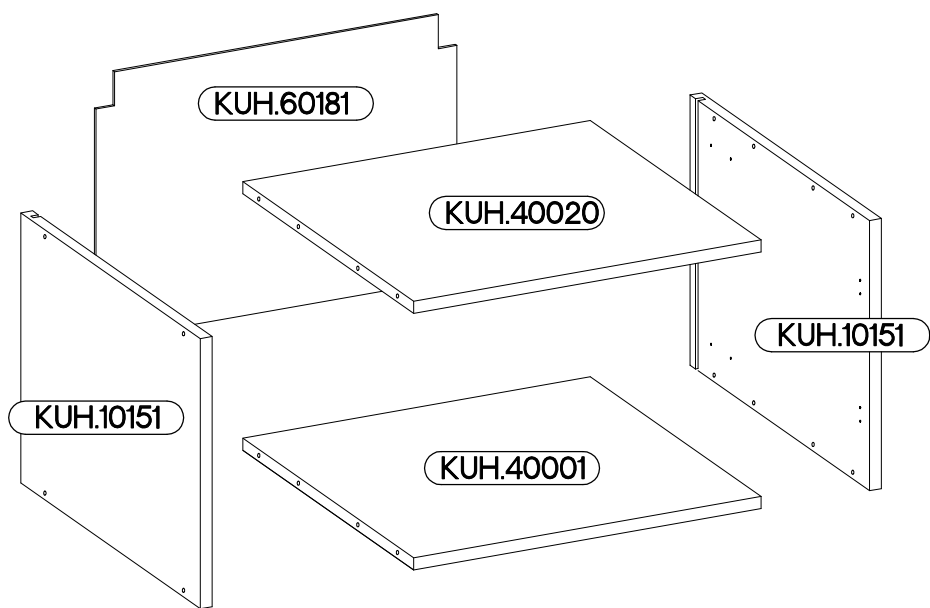
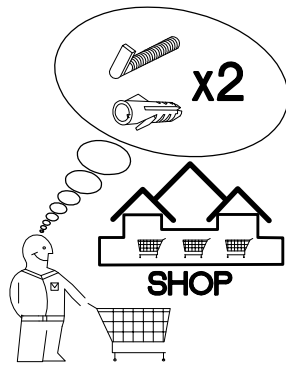
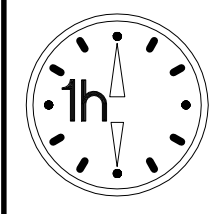
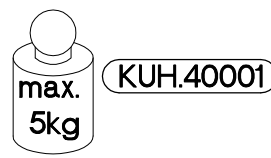
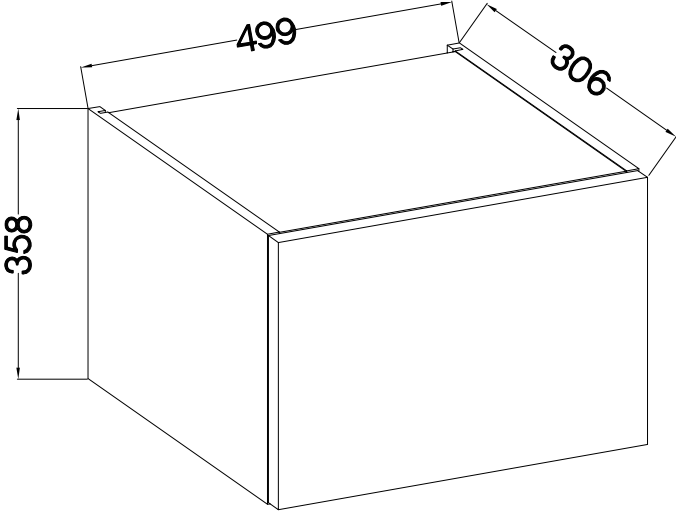
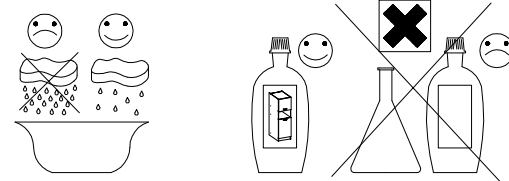
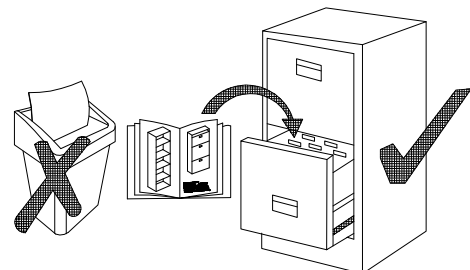


Ø10mm
50 GU-36



Ersatzteil Nummer	Dimension
KUH.10151 x2	358x290x16
KUH.40001	467x276x16
KUH.40020	467x276x16
KUH.60181	353x485x2,5

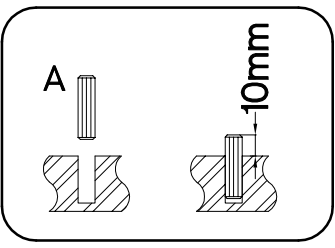
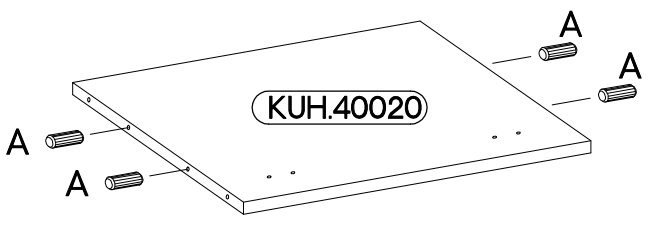
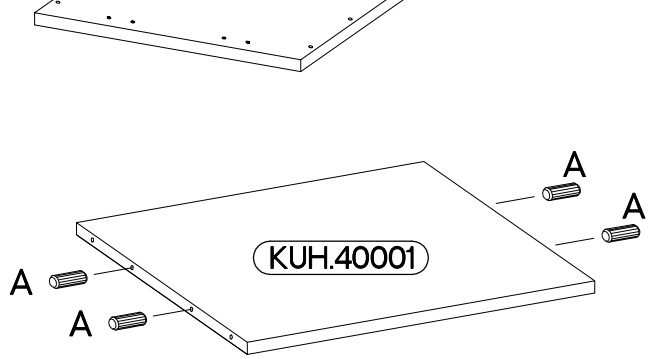
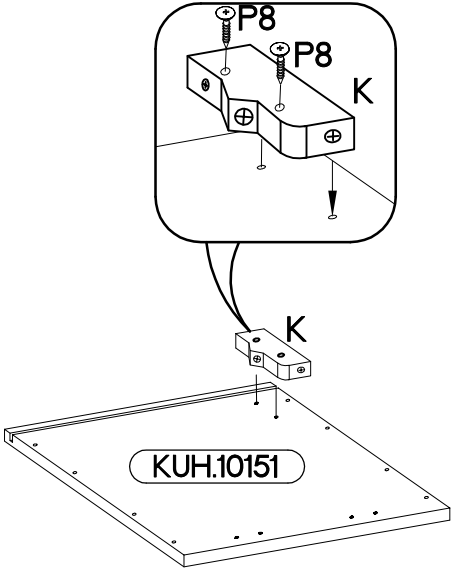
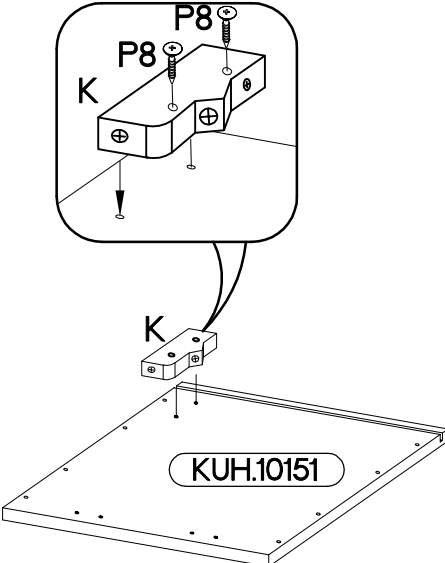
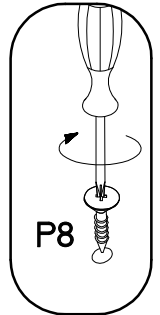
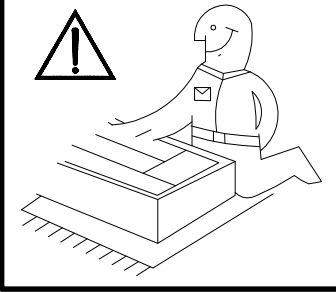
<p>8x30mm A</p>	<p>6,4 x 50mm B</p>	<p>E1</p>	<p>HG</p>		
8	8	8	2		
<p>K</p>	<p>K24</p>	<p>O</p>	<p>3,5x13mm P5</p>	<p>3,0x20mm P7</p>	<p>4,0x30mm P8</p>
2	2	1	4	8-10	4



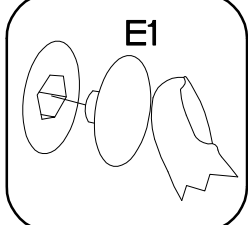
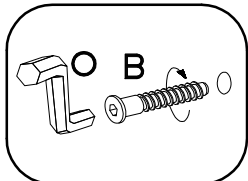
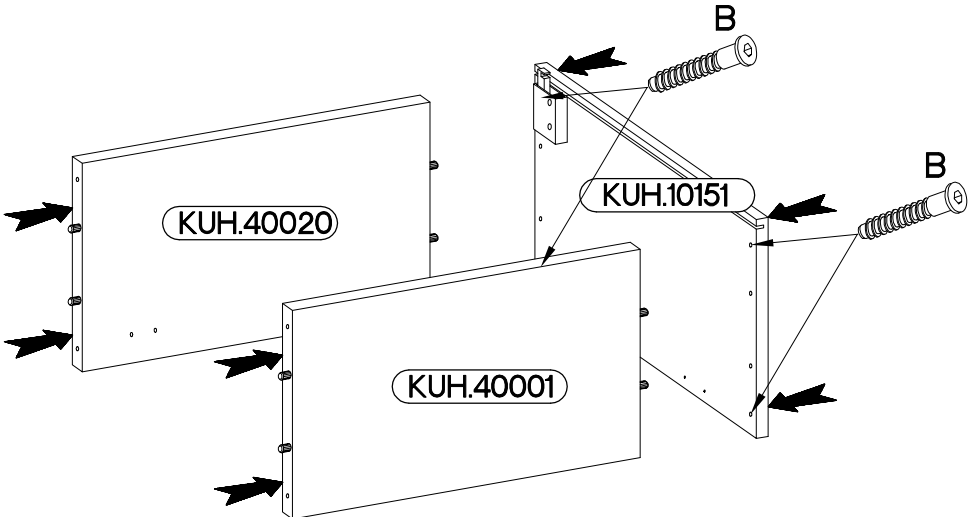
ISM-KUH-01138

1

<p>8x30mm A</p>	<p>4.0x30mm P8</p>	<p>K</p>
8	4	2



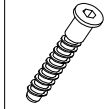
2



<p>6,4 x 50mm B</p>	<p>O</p>	<p>E1</p>
4	1	4

3

6,4 x 50mm



B

4



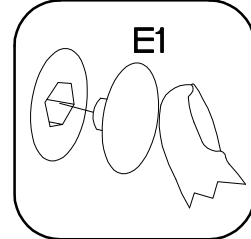
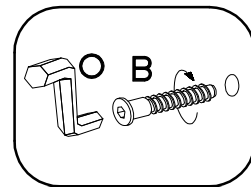
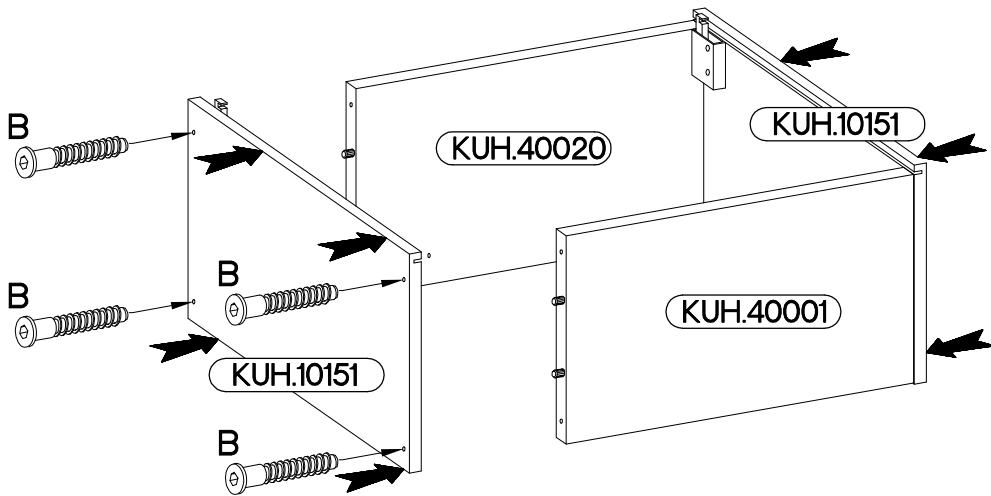
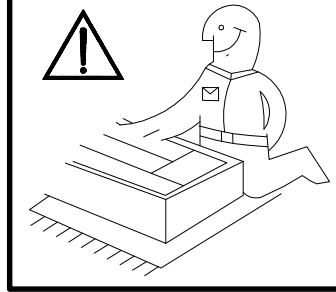
O

1



E1

4



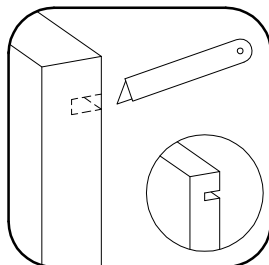
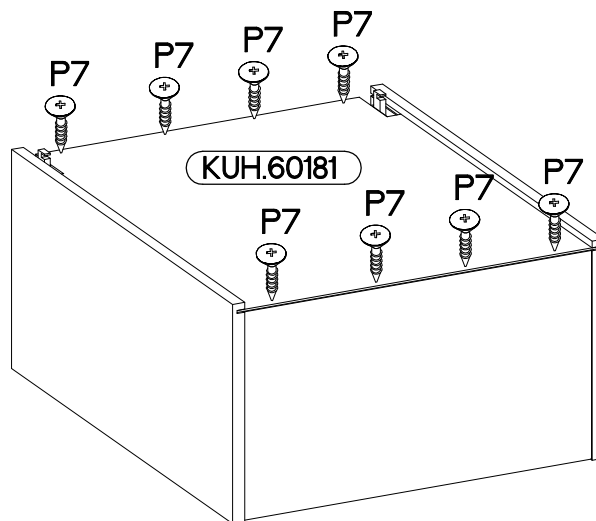
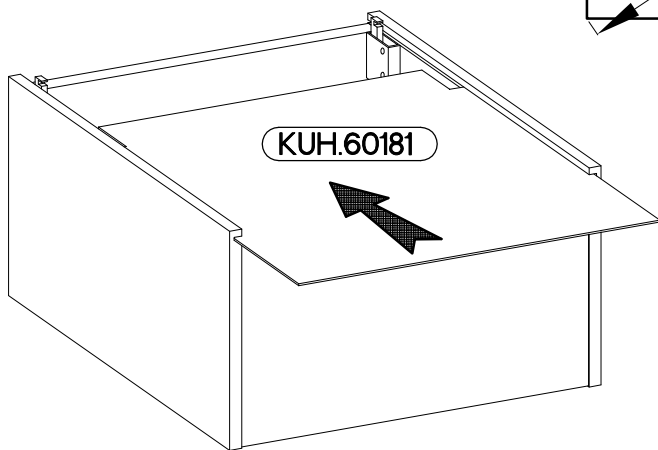
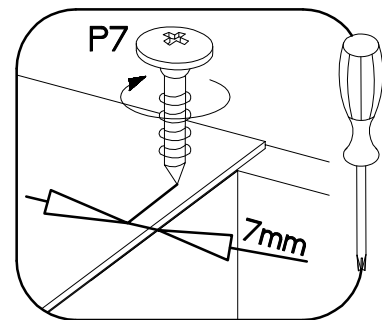
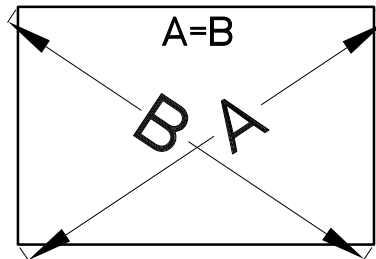
4

±3.0x20mm



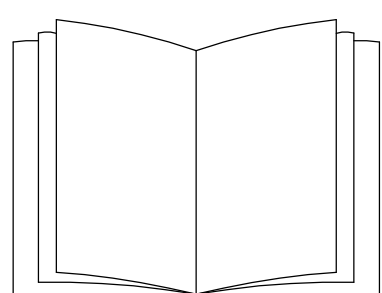
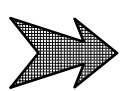
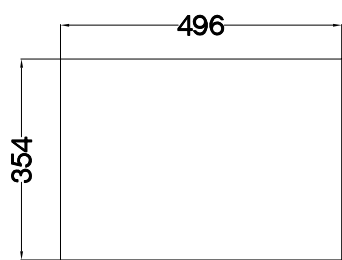
P7

8-10



5

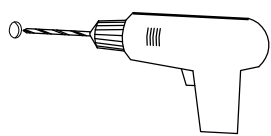
FRONT



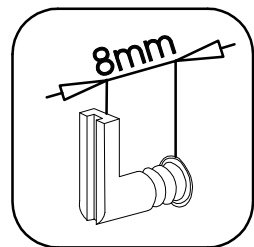
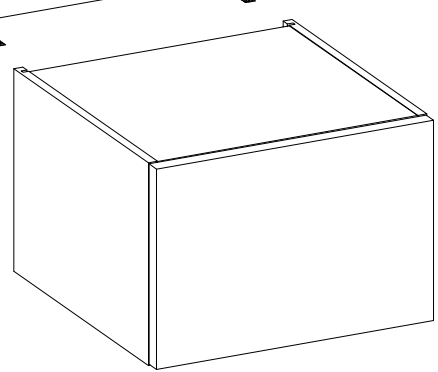
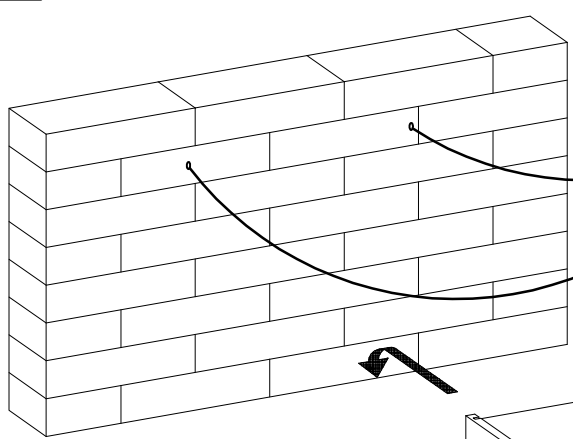
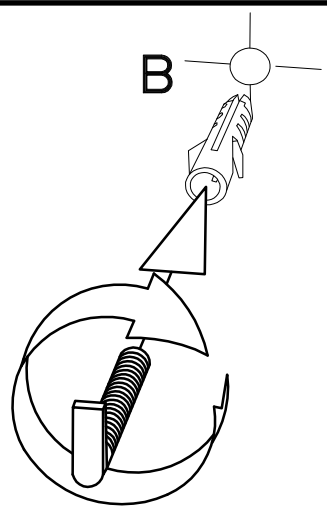
6

A

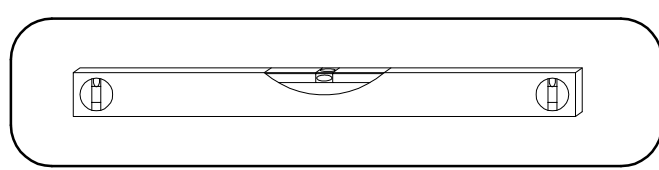
Ø10mm



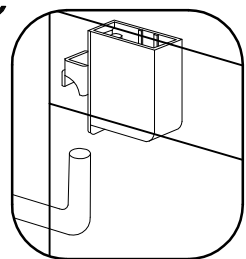
B



x2



C



D

