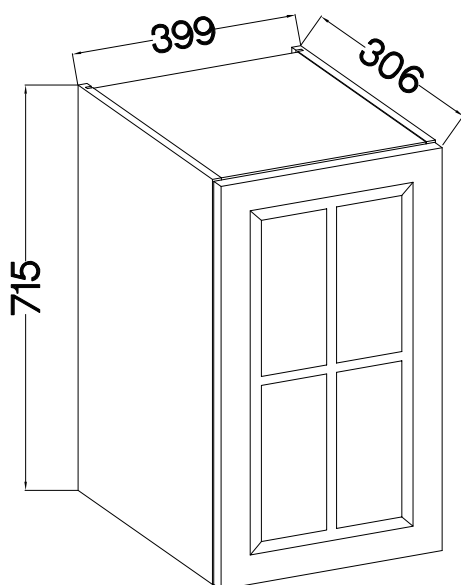
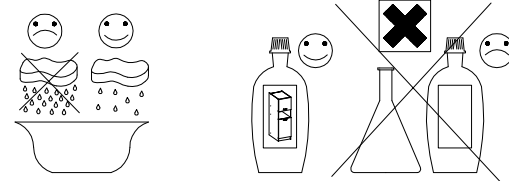
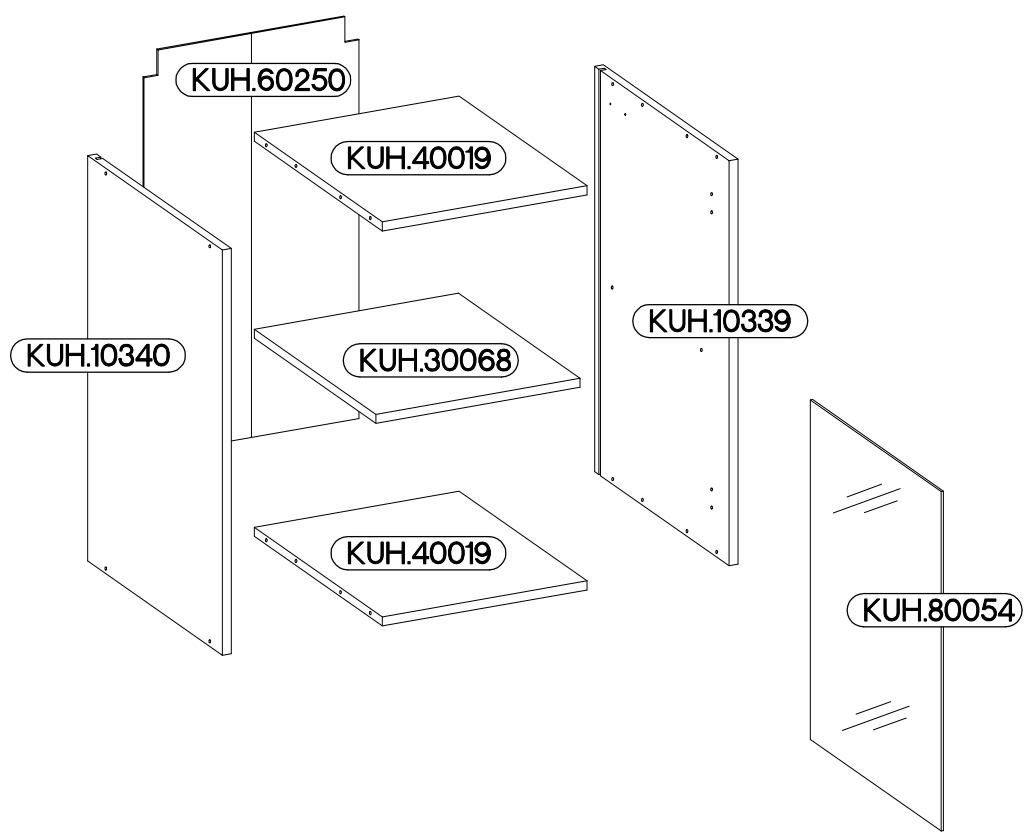
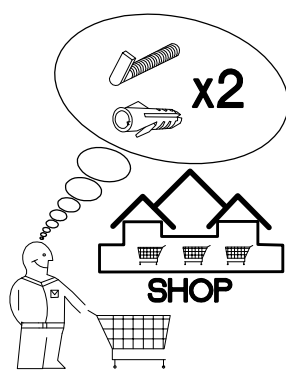
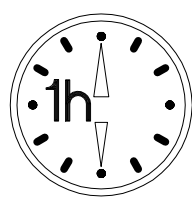


40 GS-72 1F WS

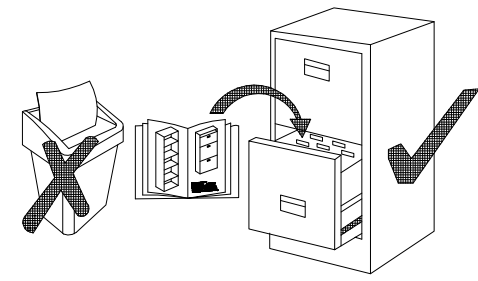


KUH.30068
KUH.40019



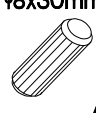

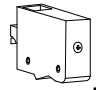
Ersatzteil Nummer	Dimension
KUH.10339	715x290x16
KUH.10340	715x290x16
KUH.30068	366x262x16
KUH.40019 x2	367x276x16
KUH.60250	713x385x2,5
KUH.80054	599x282x4

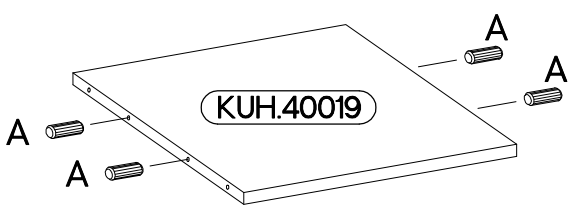
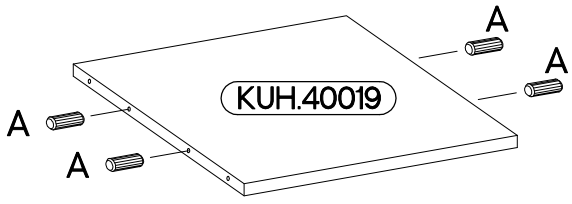
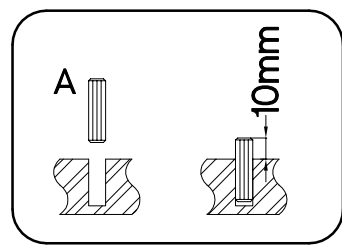
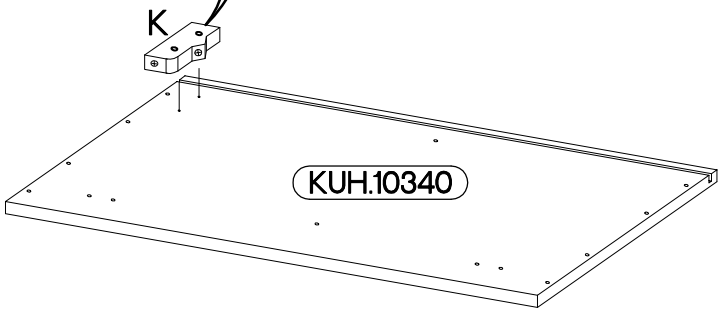
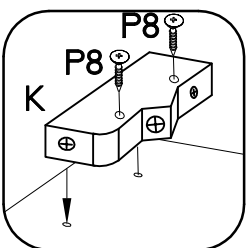
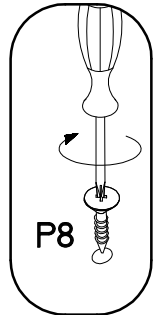
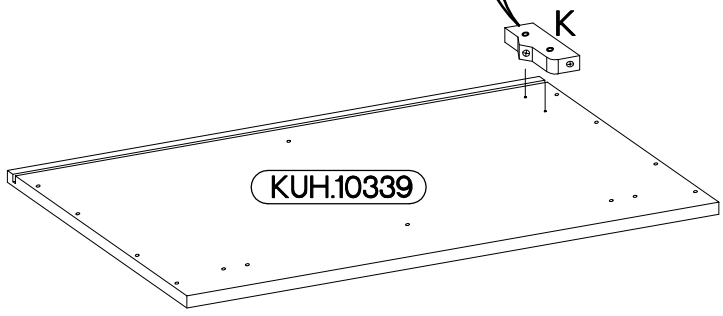
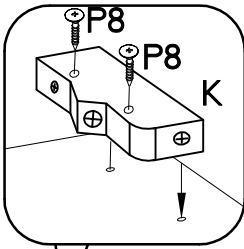
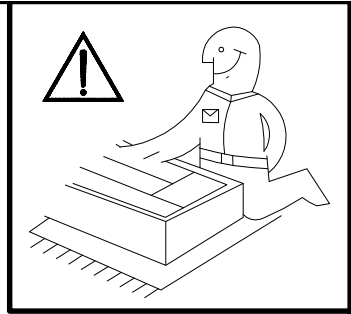
A 8	B 8	E1 8	HG 2	J 4		
J8 8	K 2	O 1	P5 4	P7 8-10	P8 4	P11 8



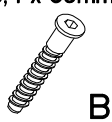
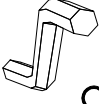

ISM-KUH-01151

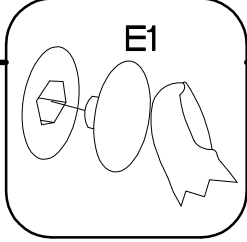
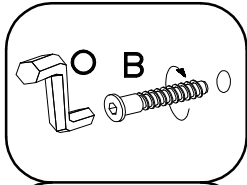
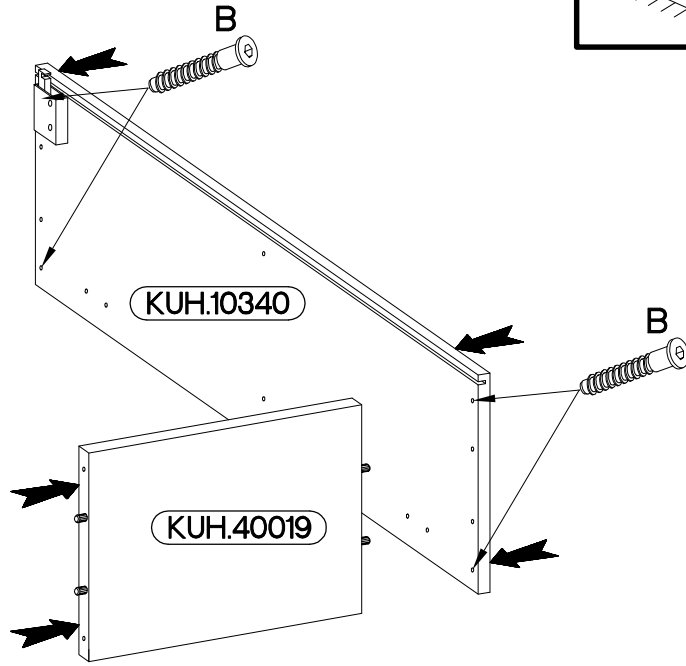
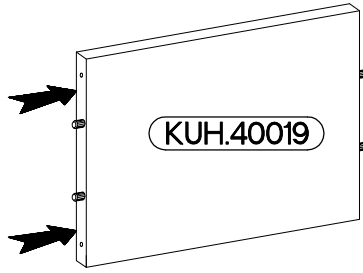
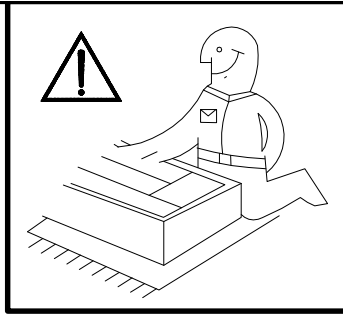
1

$\pm 8 \times 30 \text{mm}$  A 8	$\pm 4.0 \times 30 \text{mm}$  P8 4	 K 2
---	--	--

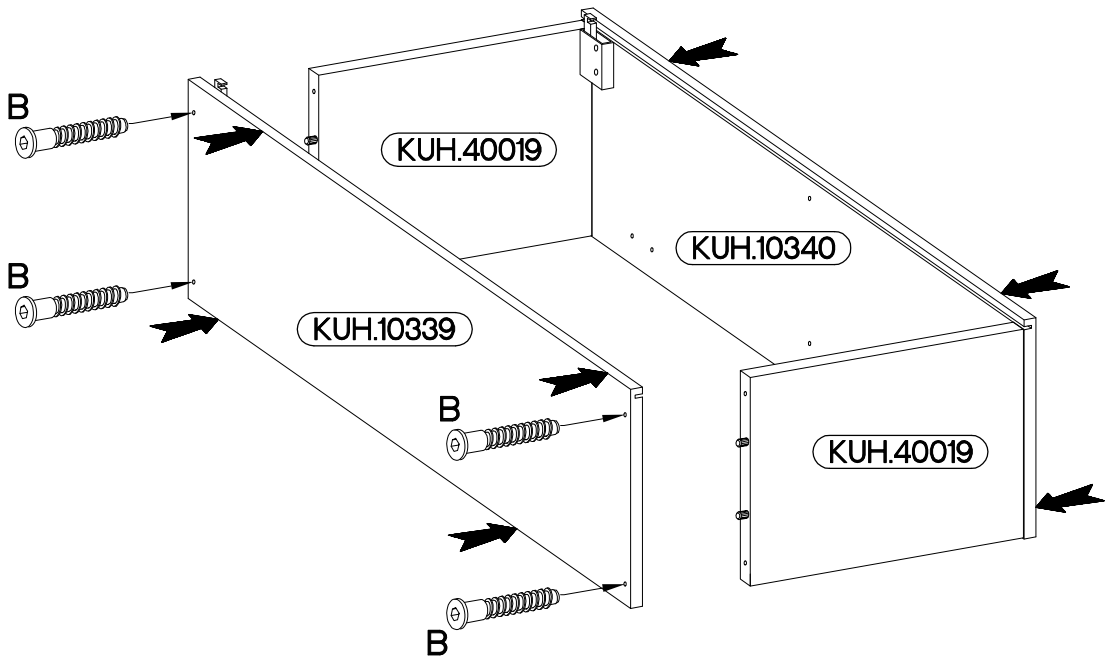


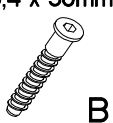
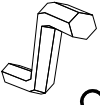

2

6,4 x 50mm		
		
B	O	E1
4	1	4

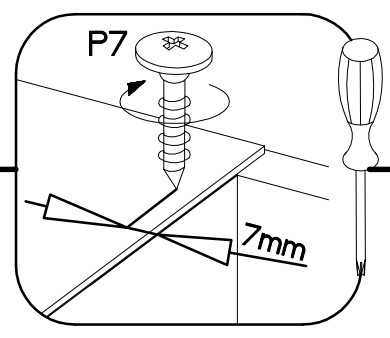
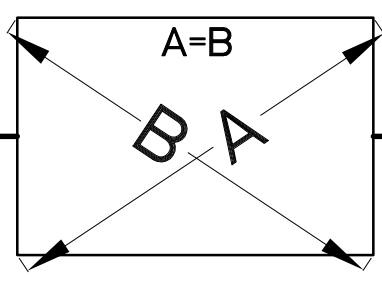
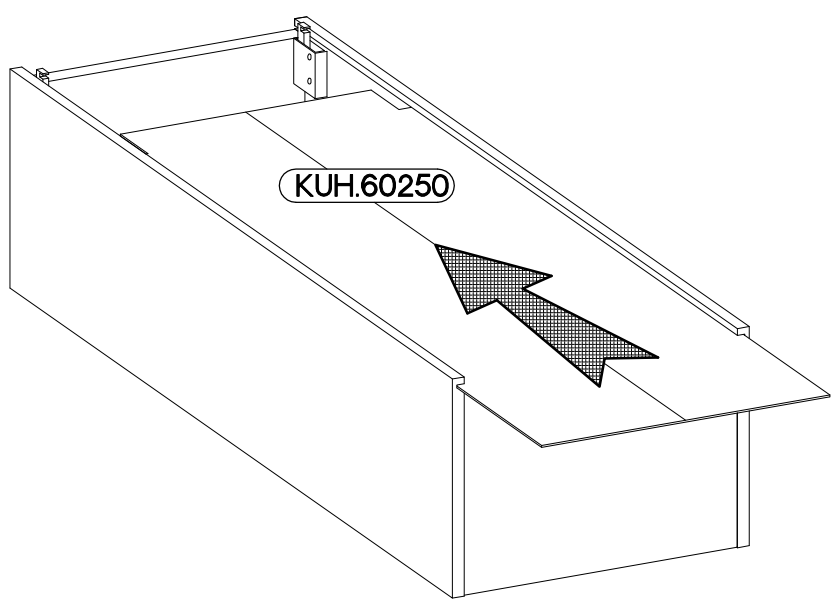
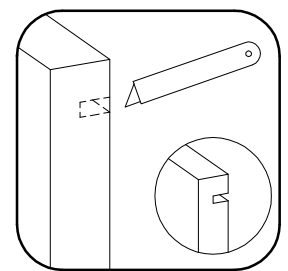
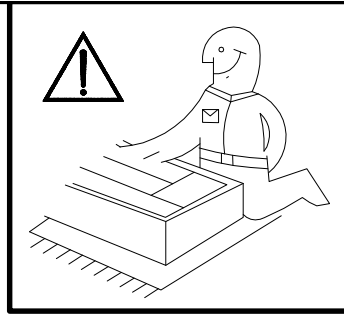


3

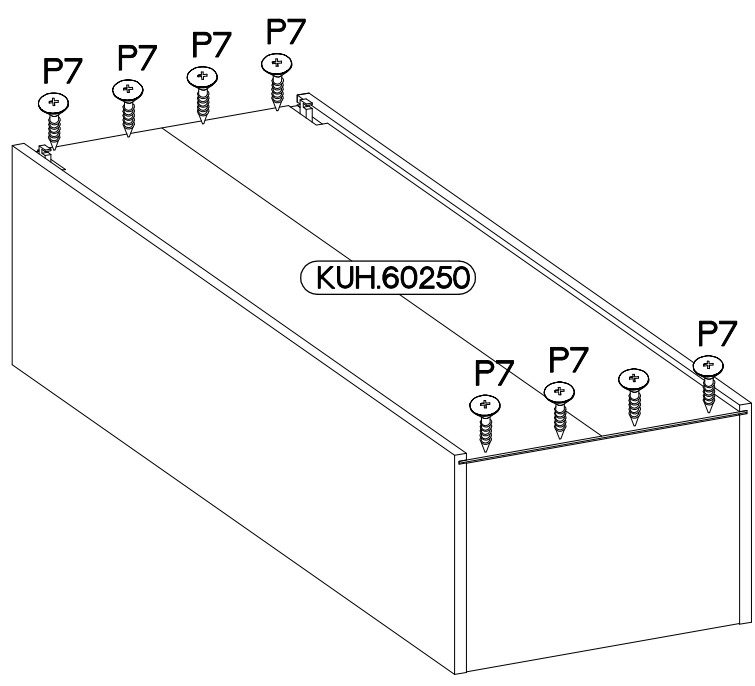
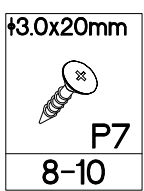


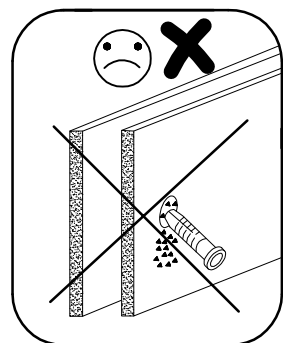
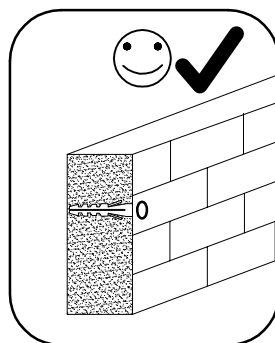
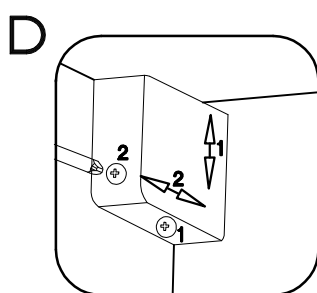
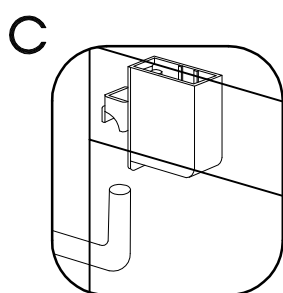
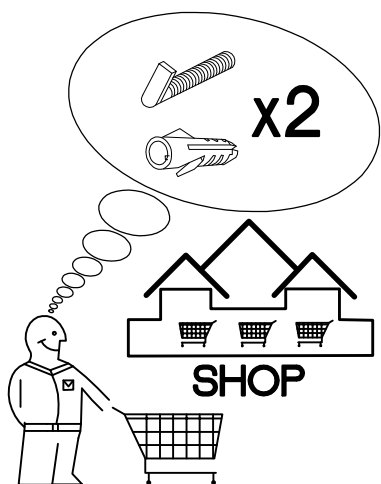
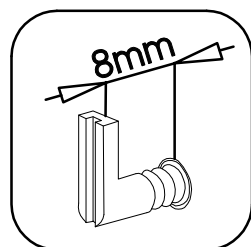
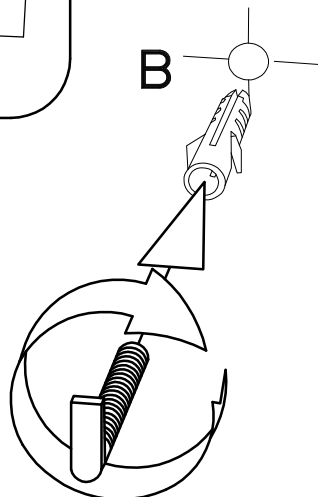
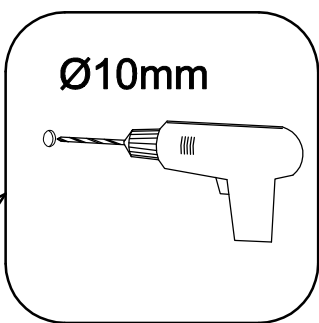
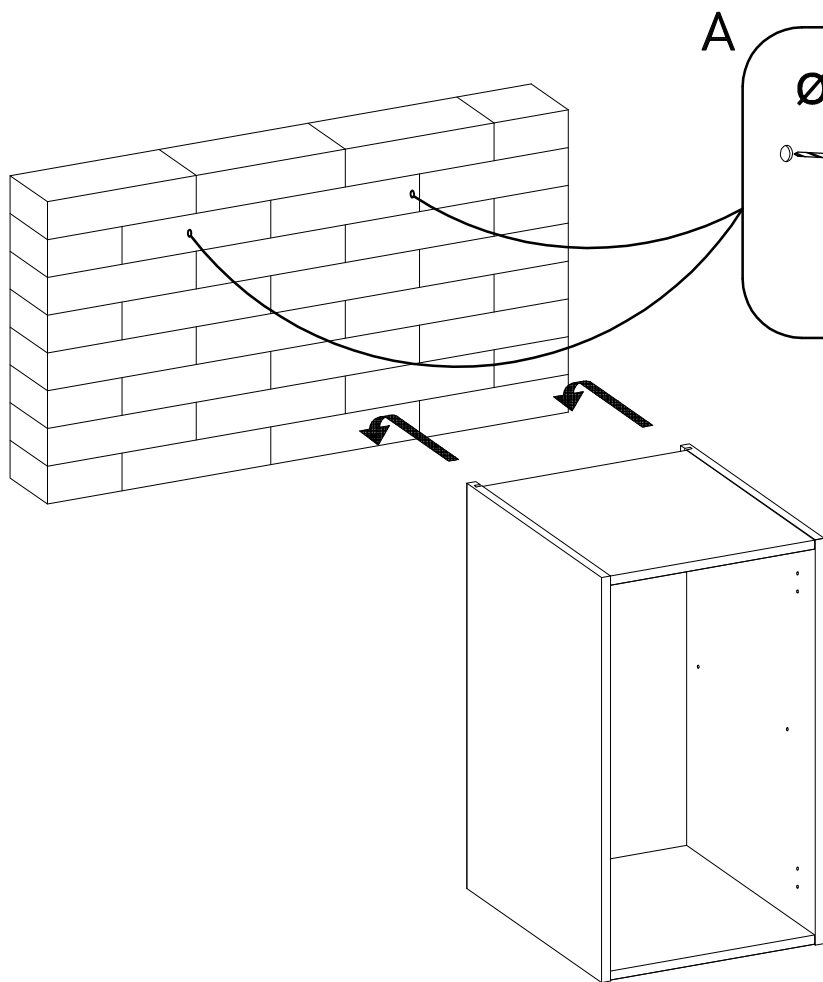
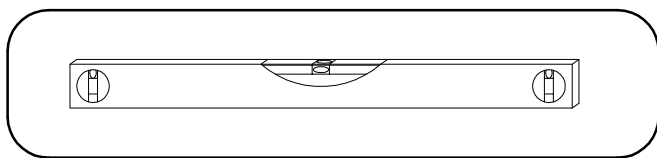
6,4 x 50mm		
		
B	O	E1
4	1	4

4



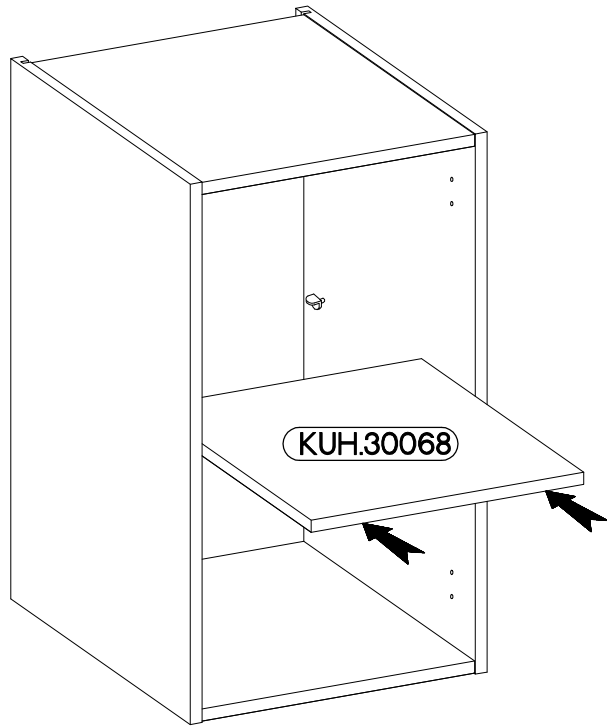
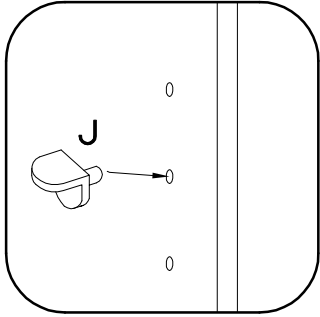
5





7

±5/19mm
J
4



8

FRONT

