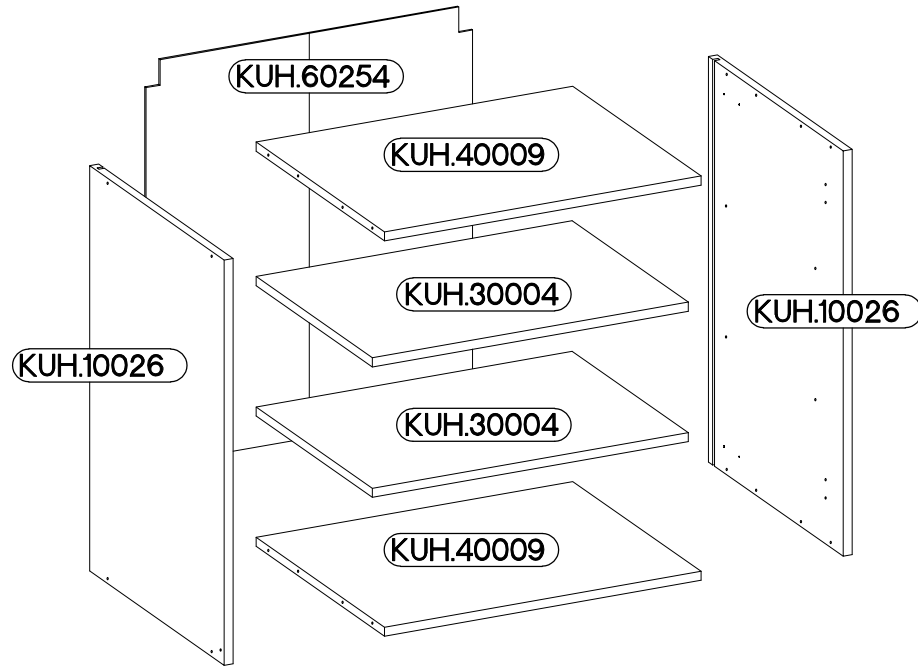
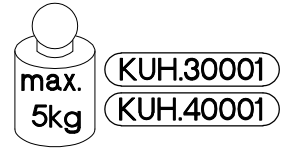
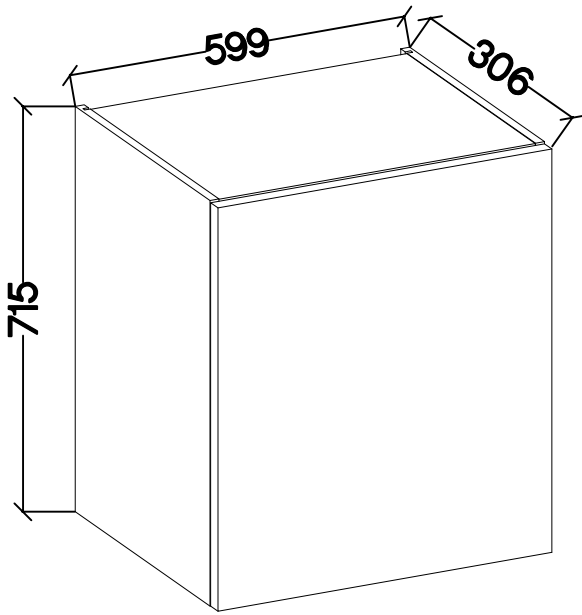
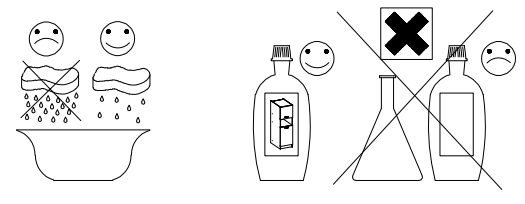
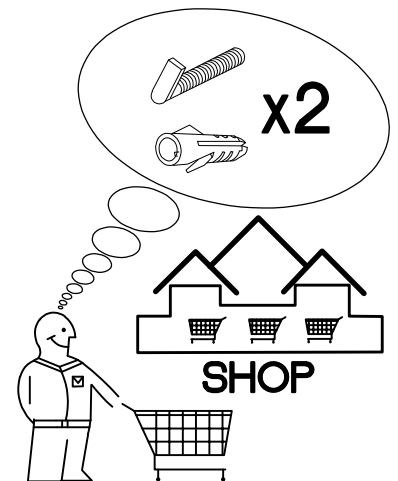


60 G-72 1F



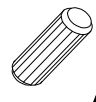
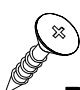
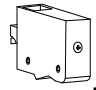
Ersatzteil Nummer	Dimension
KUH.10026 x2	715x290x16
KUH.30004 x2	566x250x16
KUH.40009 x2	567x276x16
KUH.60254	713x585x2,5

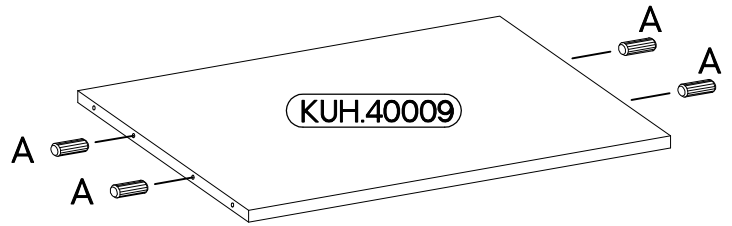
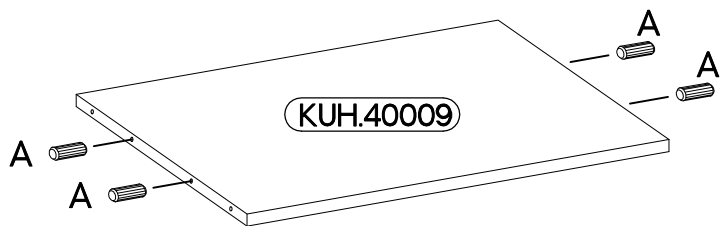
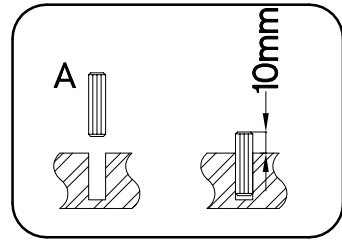
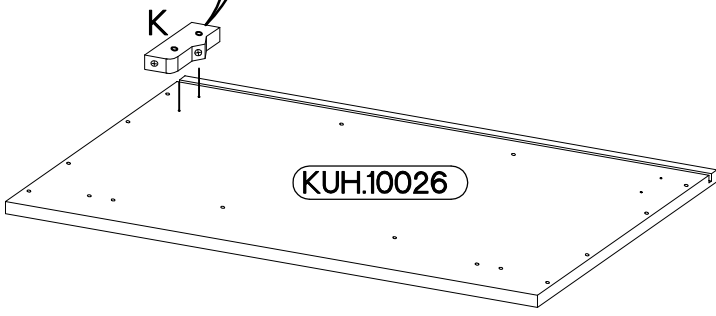
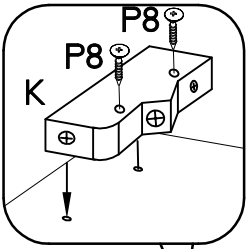
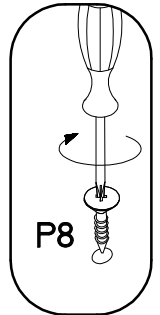
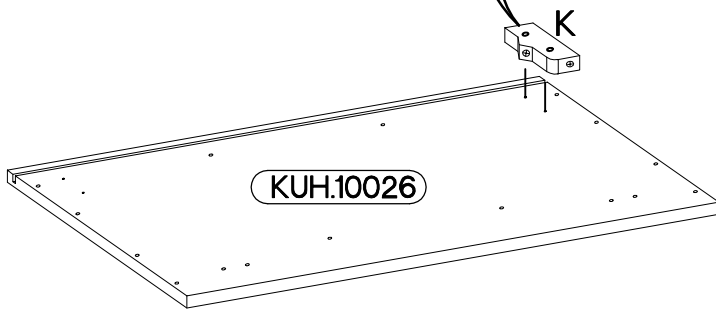
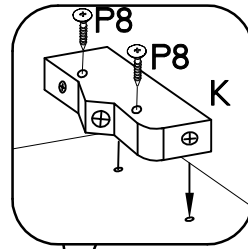
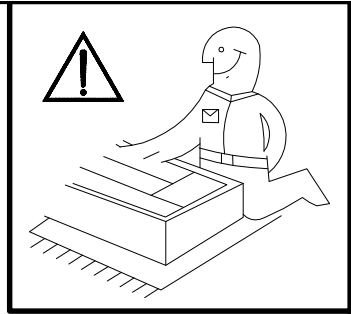
±8x30mm A 8	6,4 x 50mm B 8	 E1 8	±35/0mm [CD] HG 2
±5/19mm J 8	 K 2	 O 1	±3.5x13mm P5 4
			±3.0x20mm P7 8-10
			±4.0x30mm P8 4



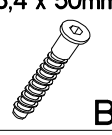
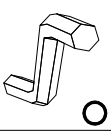
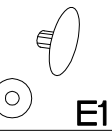
ISM-KUH-01626

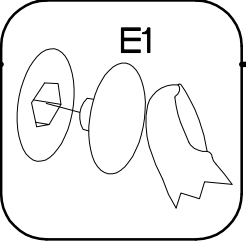
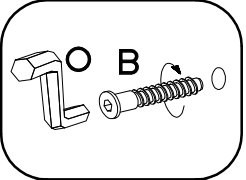
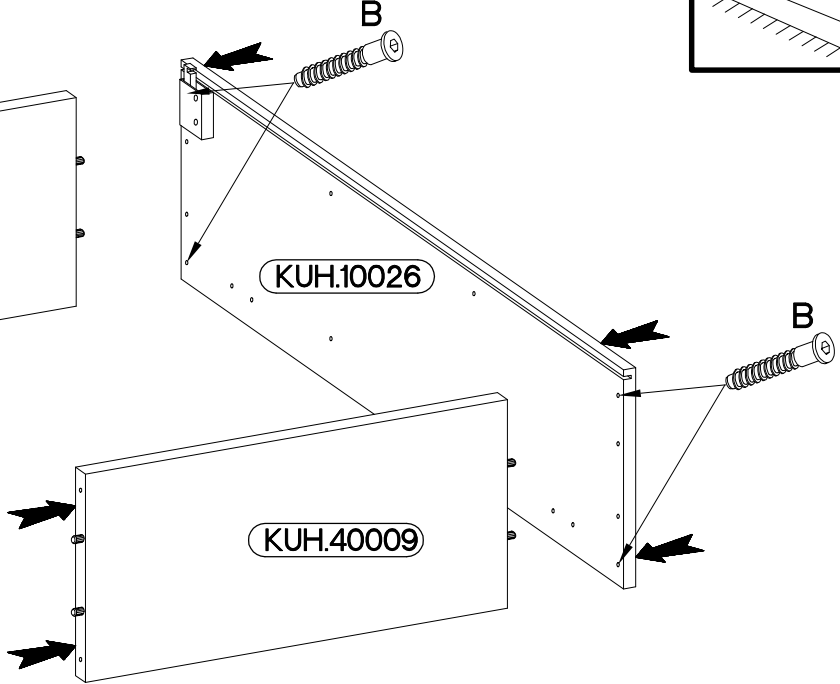
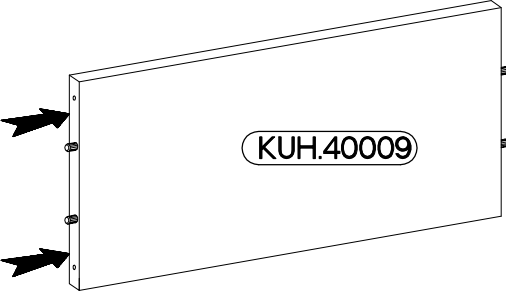
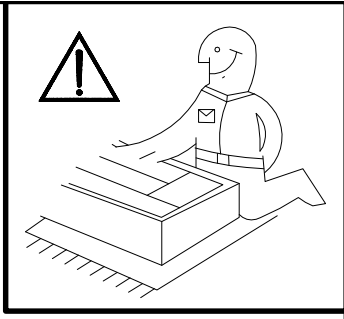
1

 +8x30mm A	 +4.0x30mm P8	 K
8	4	2

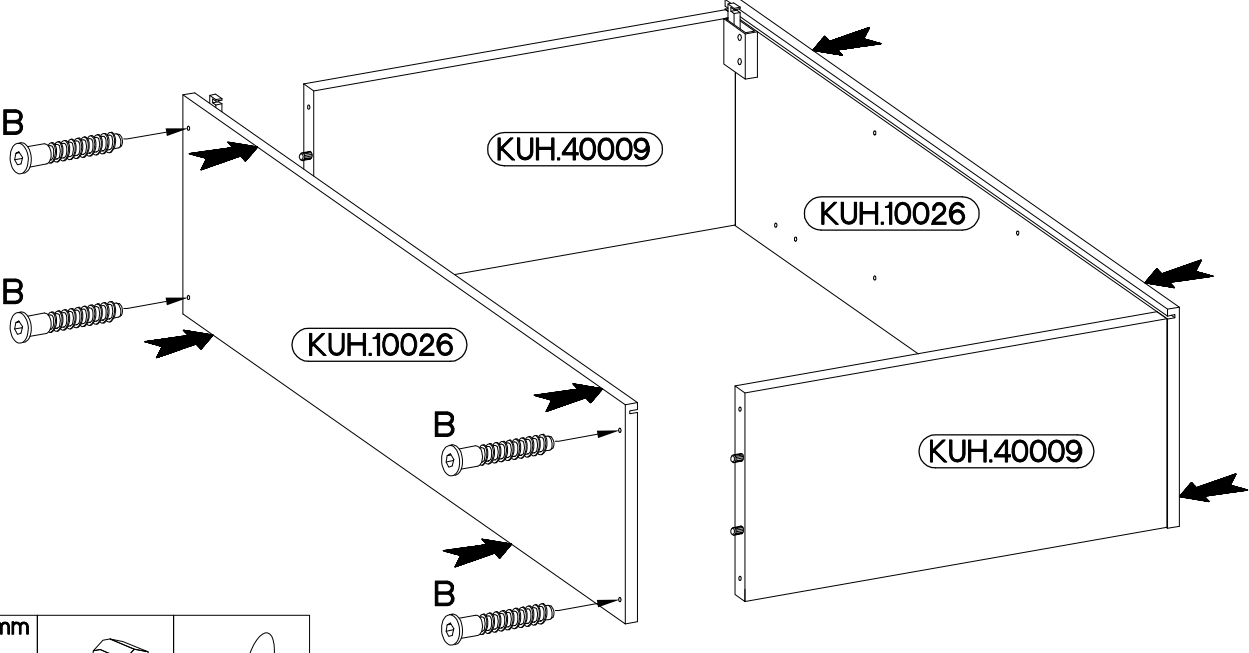


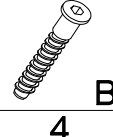
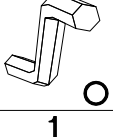
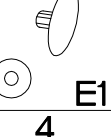
2

6,4 x 50mm		
		
B	O	E1
4	1	4

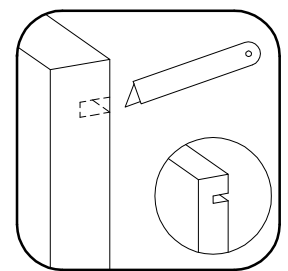
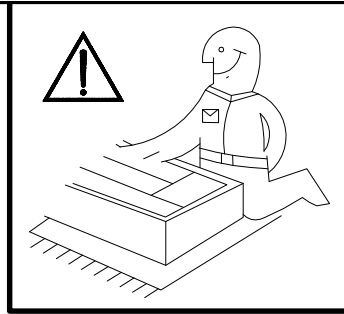
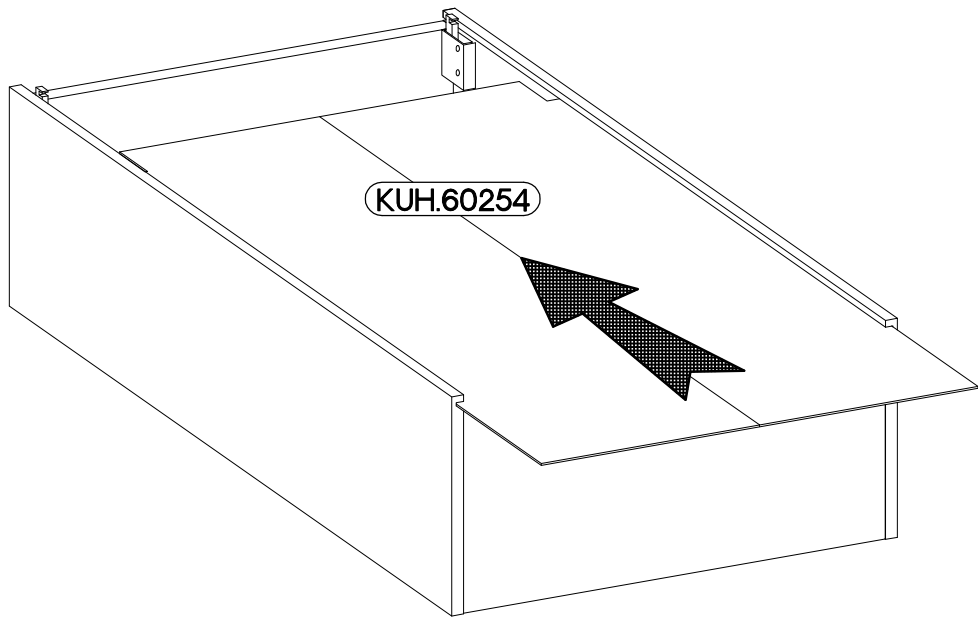


3

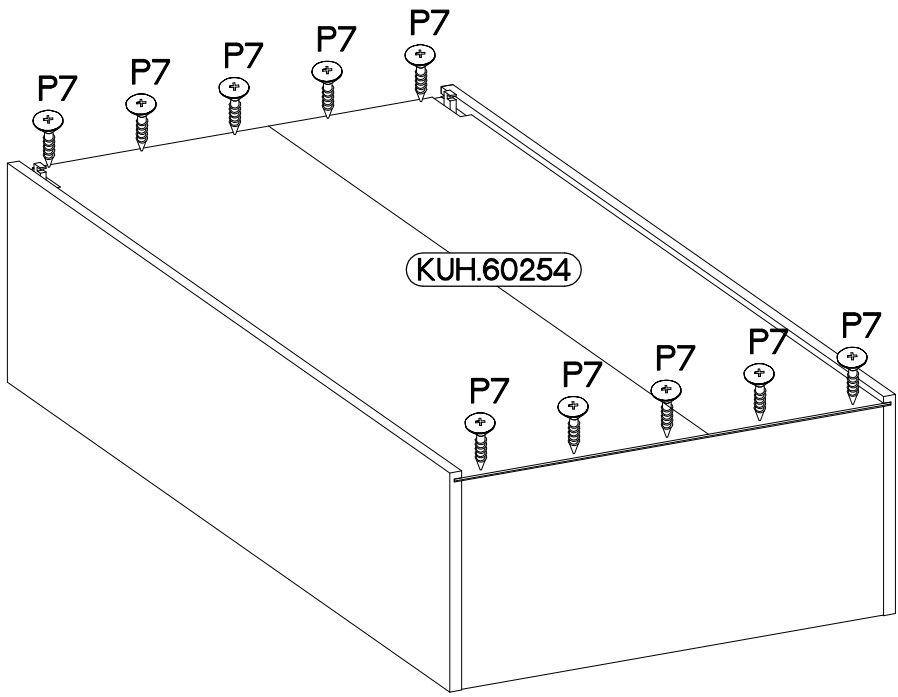
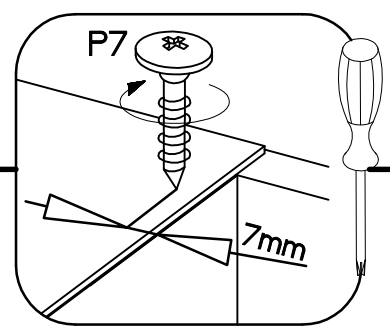
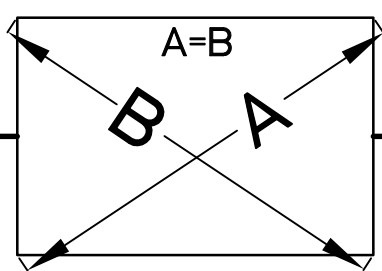
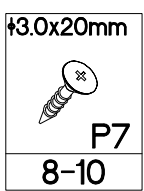


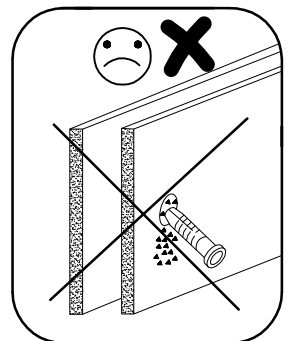
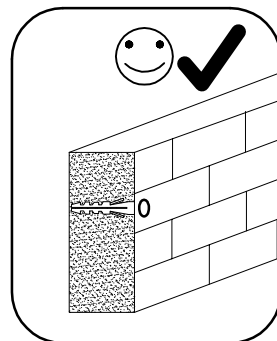
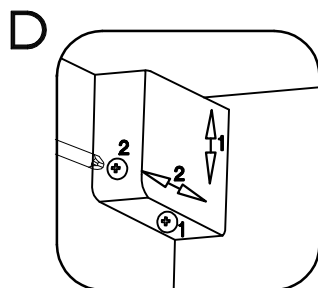
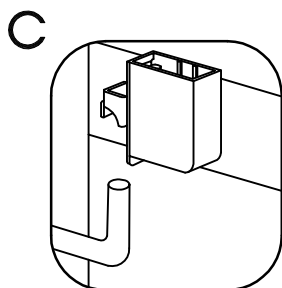
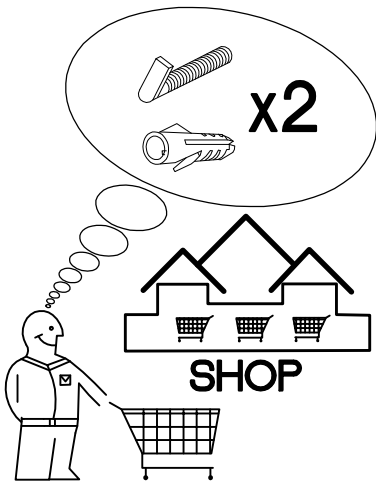
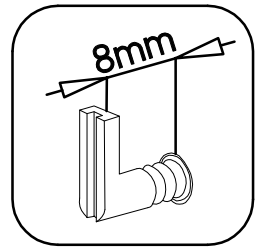
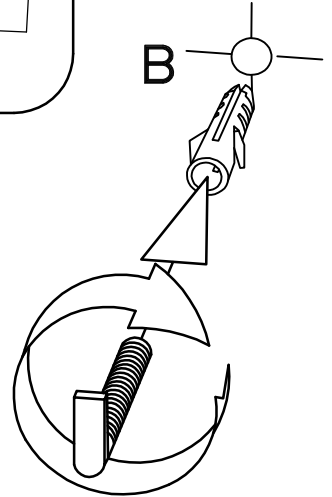
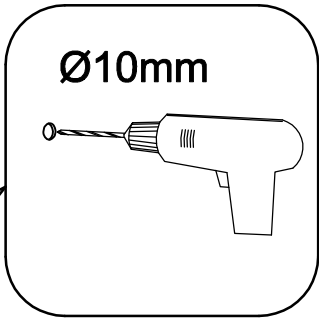
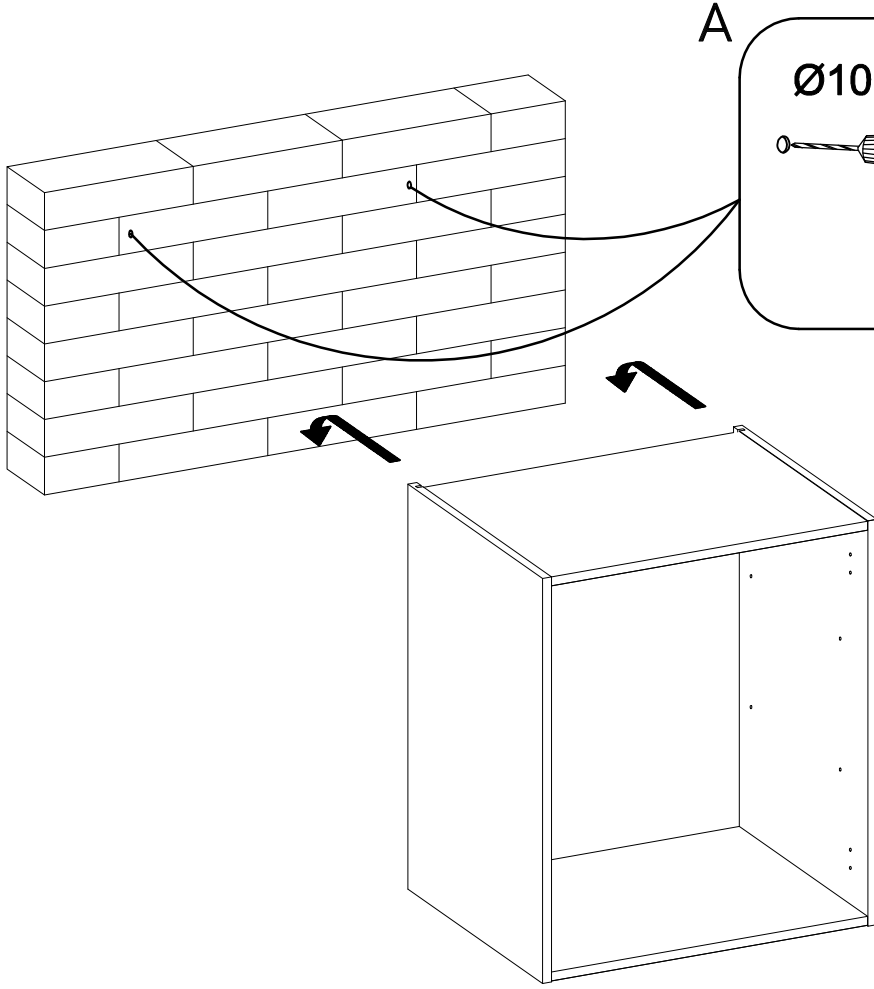
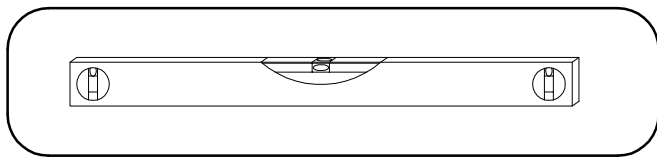
6,4 x 50mm		
		
B	O	E1
4	1	4

4

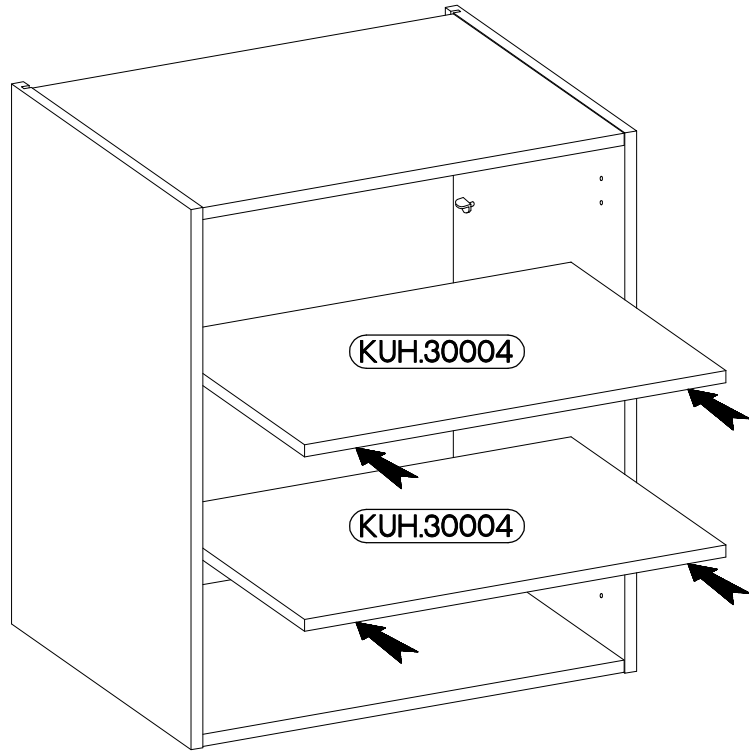
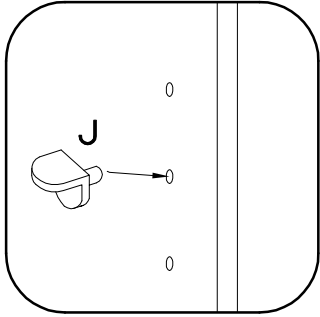
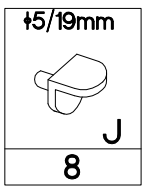


5





7



8

FRONT

