



TECEprofil toilet module with Uni cistern, installation height 1120 mm

Article number: 9300300

DU 1: 1 pc.
DU 2: 10 pc.
DU 3: 60 pc.

Description:

Toilet module including “easy fit” flush plate installation and conduit to connect electronic shower toilets. For fitting to TECEprofil section tubes or for installation in metal or wooden stud walls and as a pre-wall or corner module; also suitable for single block assembly.

Uni cistern for front actuation:

- Safety tank made of impact-resistant plastic, tested to EN 14055
- Cistern fully pre-assembled and sealed.
- Cistern connection with outer thread R 1/2" at the side, compatible with quick adapters
- 10 litre tank volume; 6 litre pre-set standard flush volume, 4.5/7.5/9-litre flush volume can be set at any time; 3-litre partial flush volume for dual-flush system; remaining volume can be used for immediate cleaning flush.
- Insulated against condensation water
- For TECE flush plates and toilet flush handle
- Can be used as a single or dual-flush cistern
- “easy fit” flush plate installation
- Installation tunnel for service opening, can be shortened without tools
- Low-noise hydraulic filling valve, fitting group 1 according to DIN 4109

Module frame:

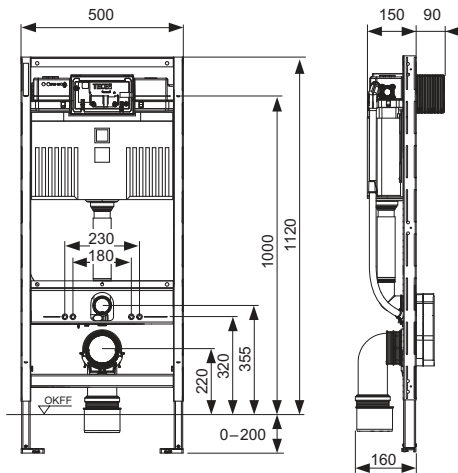
- Self-supporting, powder-coated
- Two M 12 retaining bolts and nuts
- Toilet drain bend DN 90 with joint adapter DN 90/100, made of PP
- Joint adapter also suitable for horizontal installation
- Toilet connection set DN 90
- Conduit for universal shower toilet water connection (check connection position)
- Shell protection for shower toilet connection, including conduit for transformer

A raised ceramic attachment for a sitting height of 48 cm can be added in keeping with German standard DIN 18040 (DIN 18040: Barrier-free construction - Part 1: Publicly accessible buildings and workplaces).

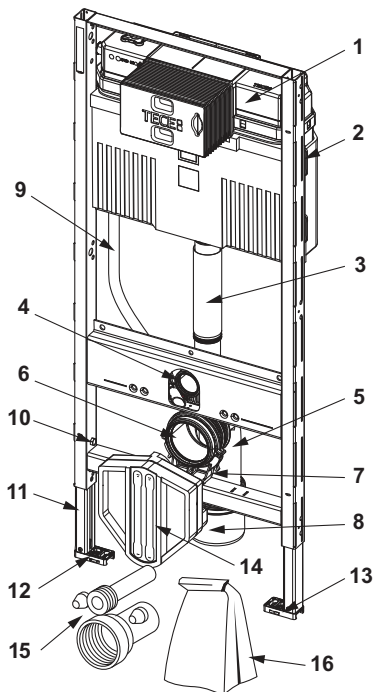
Sales data:

Product name: TECEprofil toilet module with Uni cistern, installation height 1120 mm
 Commodity group: 905
 Product group: 2009050010

Dimensional drawings:



Spare parts:



	9820103	Uni cistern 1120 mm
1	9820103	Uni cistern 1120 mm
2	9820040	Assembly kit for Uni cistern
3	9820011	Flush pipe with O-ring, length 269 mm, dry-wall construction
4	9820015	Flush pipe seal
5	9820134	Toilet drain bend DN 90 (PP)
6	9820139	Seal for toilet drain bend/adaptor
7	9820348	Toilet drain bend holder complete, underneath (from 04/2017)
8	9820136	Adapter DN 90/DN 100 (PP)
9	9820569	Attachment clips and conduit
10	9820447	Foot brake with steel spring
11	9820335	C-section for module foot
12	9820332	Module foot with toggle left
13	9820333	Module foot with toggle right
14	9820568	Bare-wall protection for shower toilet connection
15	9820057	Connection set DN 90 for toilet
16	9820043	By-pack for toilet module (mounting material, etc.)