

NEO

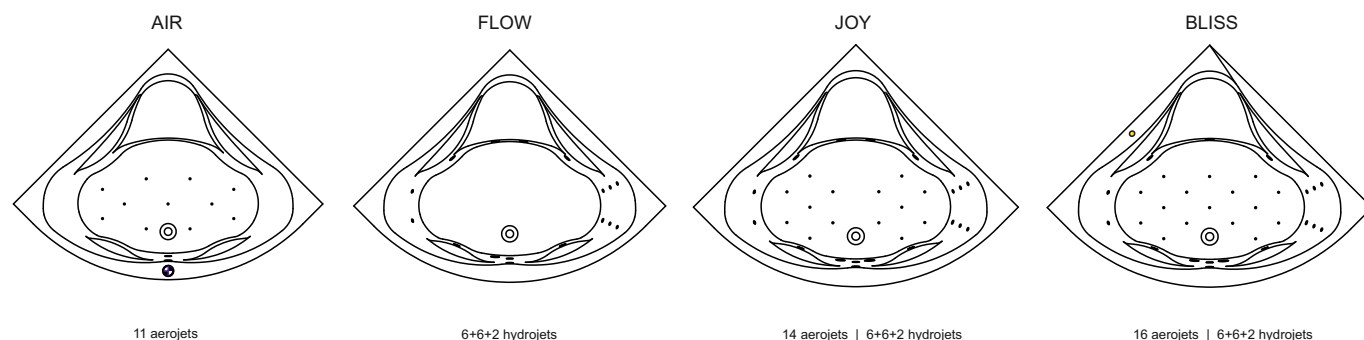


This high-gloss white bath is a symmetrical corner bath with a surprising amount of lying space. Ideal for the compact bathroom. The bath is quarter-round with a seat in the corner that is lowered into the inner shape. This, together with the ergonomically designed armrests, makes bathing in this bath a very pleasant experience. The interior space is very suitable for a small family.

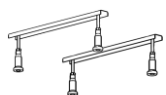
Riho acrylic baths are made of high-quality cast acrylic, fully reinforced and all through white in colour. Our acrylic baths are non-aging and UV resistant. The material is completely pore-free and smooth. Lime will adhere poorly so no bacteria remain, also it makes the baths easy to clean. Its surface is pleasantly warm. Standard the bath doesn't include a legset and overflow/drain.

Article nr.	L x W x H (cm)	Volume* (ltr)	Weight (kg)	Water height (cm)	Option Rihopool**
B076001005	140 x 140 x 47,5	235	27	42	Air / Joy / Flow / Bliss
B077001005	150 x 150 x 49	285	28	42	Air / Joy / Flow / Bliss

* The contents of the baths are measured including the (average) volume of one person.
 ** Rihopool whirlpool systems already include a legset.



Additional



Whirlpools already include a legset!

207093 for 140 bath
 207095 for 150 bath



Mc Alpine
 208867



Riho black
 208711



Viega Multiplex
 208873



Viega Multiplex Trio
 208875

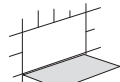
Optional



Headrest 19
 207043



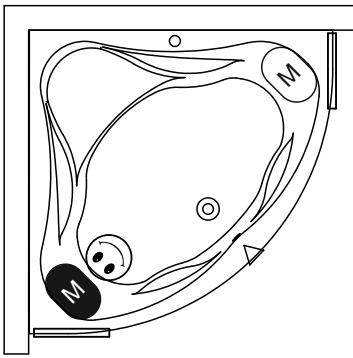
Headrest 19
 207044



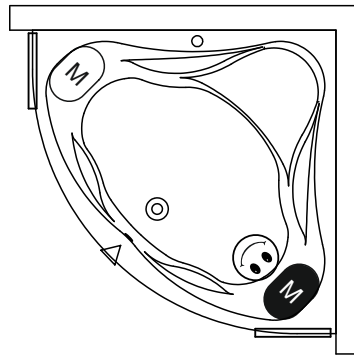
Inspection hatch
 207019

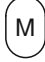



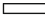
Data is subject to changes and/or errors

Right type



Left type

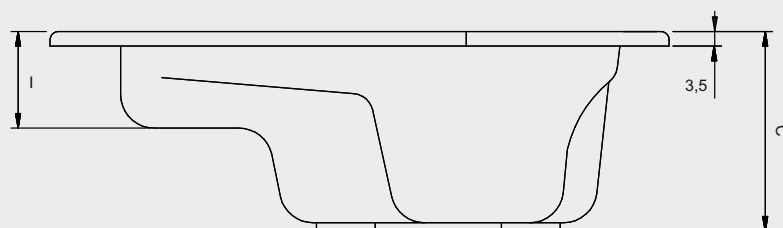
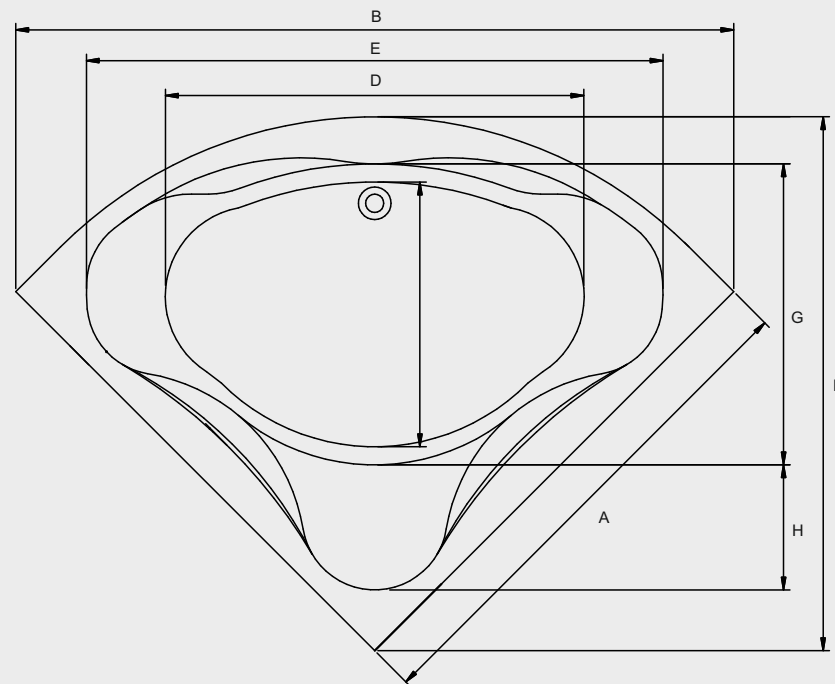


-  Motor in Air or Flow (Hydro or Aero)
Hydro motor in Joy and Bliss (Hydro + Aero)
-  Aero Motor in Joy and Bliss (Hydro + Aero)
-  Control panel
-  Cleanpool inlet
-  Service hatch

BATH	Acryl panel	Height (cm)
B076001005	209262	57
B077001005	209263	57



Type	A	B	C	D	E	F	G	H	I
B076	140	196	47,5	113	159	146,5	83	35	23
B077	150	212	49	124	171	158	84,5	44	24



Data is subject to changes and/or errors