

## FUTURE

This high-gloss white acrylic bath features armrests that rise above the bath at the end. There they form a handle to get out of the bath easily. The drain is located at the foot end, making the bath suitable for one person.



Riho acrylic bathtubs are made of high-quality acrylic, fully reinforced and all through white in colour. The acrylic baths are non-aging and UV resistant. The material is completely pore-free and smooth. Lime will adhere poorly so no bacteria remain. Therefore, the baths are easy to clean. The surface is pleasantly warm. Standard the bathtub does not include a legset and overflow/drain.

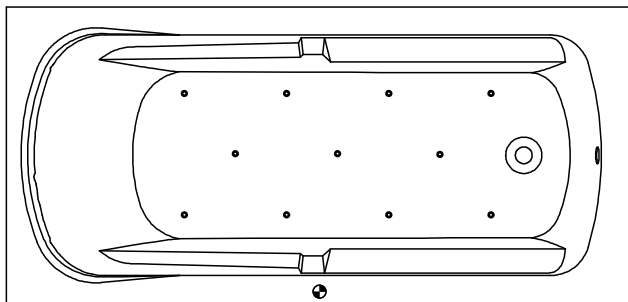
Article nr.	L x W x H (cm)	Volume* (ltr)	Weight (kg)	Water height (cm)	Option Rihopool**
<b>B073001005</b>	170 x 75 x 44,5	115	17	39	Air / Flow
<b>B074001005</b>	180 x 80 x 48	145	23	39	Air / Flow
<b>B075001005</b>	190 x 90 x 48	210	34	39	Air / Flow

\* The contents of the baths are measured including the (average) volume of one person.

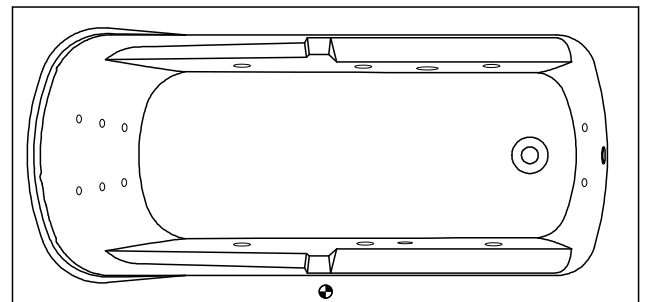
\*\* Rihopool whirlpool systems already include a legset.

AIR

FLOW

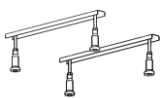


11 aerojets



6+6+2 hydrojets

### Additional to purchase



Legset 01U  
207093

Whirlpools already include a legset!



Mc Alpine  
208867



Riho black  
208711



Viega Multiplex  
208873



Viega Multiplex Trio  
208875

### Optional to purchase



Headrest 19  
207043



Headrest 19  
207044



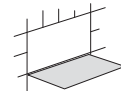
Headrest 03  
207021



Headrest 03  
207022



See next page



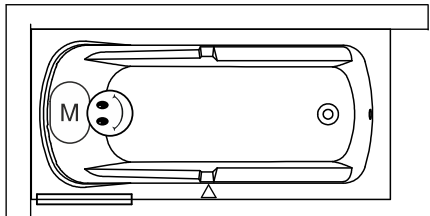
Inspection hatch  
207019

Data is subject to changes and/or errors

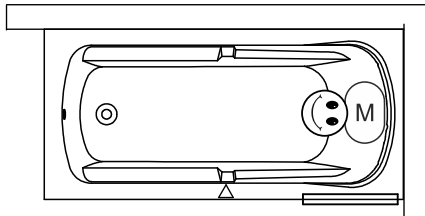
## BATH SCREEN

Scandic X107	Novik Z107	Scandic X109V	Novik Z500	Grid GB501	Lucid GD501
--------------	------------	---------------	------------	------------	-------------

Right type



Left type



Motor Hydro or Aero

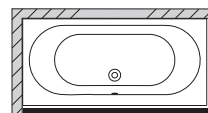
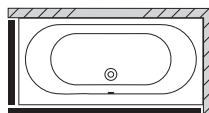
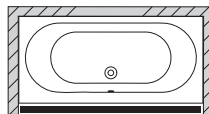


Control panel

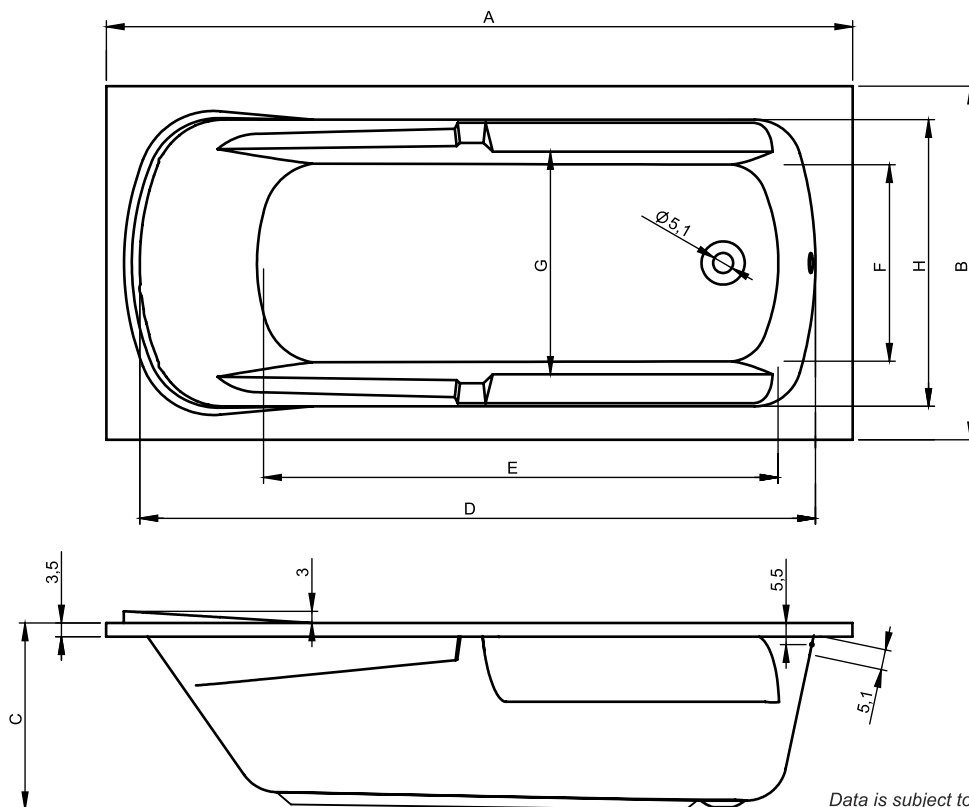


Service hatch

BATH	Front panel	Side panel	Height (cm)
B073001005	209301	209280	57
B074001005	209307	209281	57
B075001005	209310	209288	57



	A	B	C	D	E	F	G	H
B073001005	170	75	44,5	154	116	43,5	50,5	64
B074001005	180	80	48	162	121	45	49	63
B075001005	190	90	48	172	131	50	57	73



Data is subject to changes and/or errors