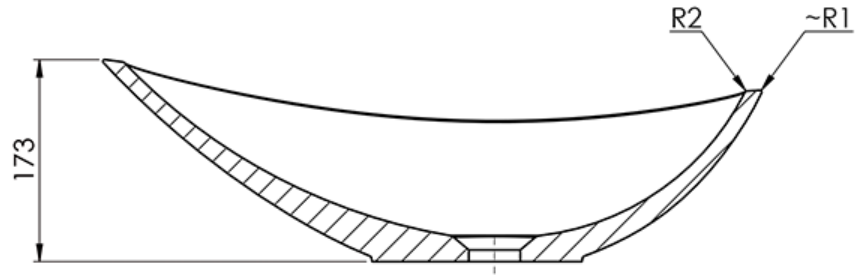
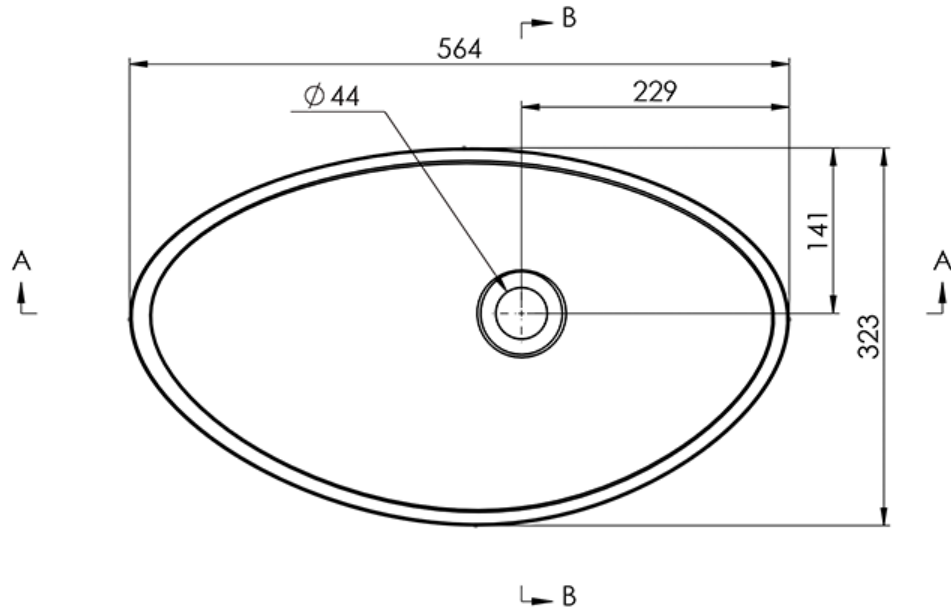
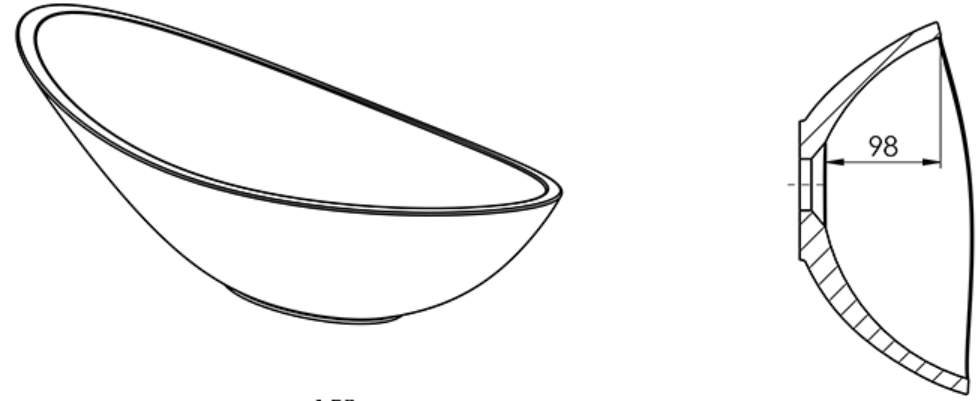


A-A

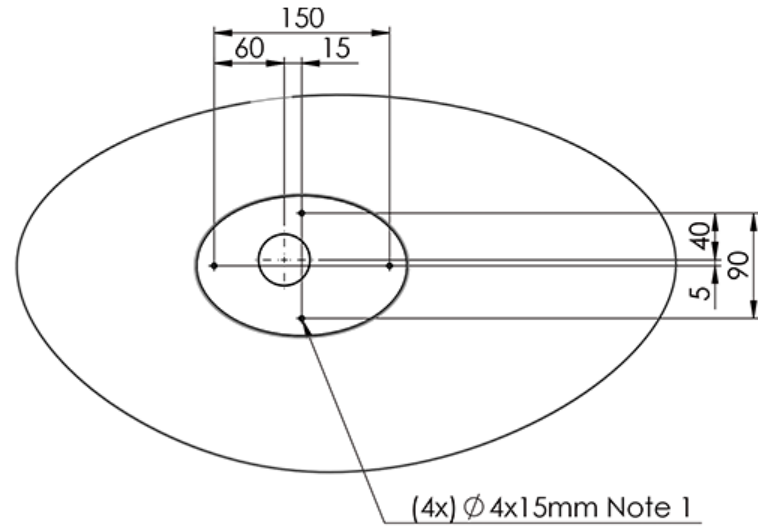


B-B



A

B



1. 4x hole $\phi 4 \times 15 \text{mm}$, screw 4,8x25mm, steel washer/