

SAT Fusion



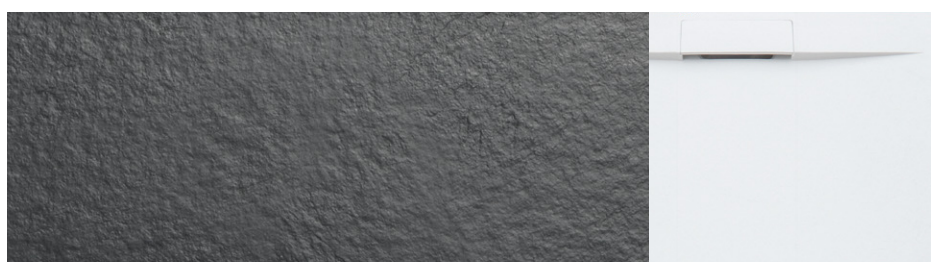
HD HIGH DEFINITION TEXTURE	EASY TO REPAIR	ANTIBACTERIAL	EASY TO TRANSPORT
NON-SLIP CLASS B	IMPACT RESISTANT	QUALITY RAW MATERIAL	FAST DELIVERY
CUSTOM-MADE	WATERPROOF	PROCESS CONTROL	
EASY TO CUT	EASY TO CLEAN	EASY TO INSTALLATION	PRODUCT COMPLIES WITH EUROPEAN NORMS



TECHNICAL DATA:

Material:	Polyester resin and the latest mineral loads
Cover:	Highly resistant, durable non-slip Gel Coat
Texture:	Natural slate, antislip Class B
Surface:	Satin finish
Outflow :	Rectangular valve
Installation type:	Floor, Feet
Gross weight:	Approx. 30 Kg/m ² (D25) Approx. 36 Kg/m ² (D30)

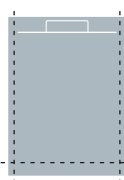
TEXTURE:



STANDARD COLORS:

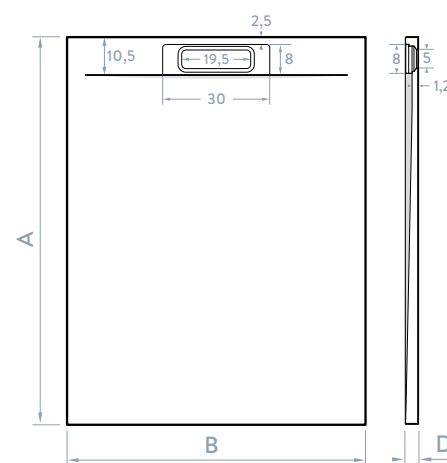
WHITE RAL 9003	BEIGE RAL 9001	MOKA RAL 1001
PEARL GREY RAL 7035	GREY RAL 7037	GRAPHITE RAL 7016

CUTTING ZONES



B 70		B 80		B 90		B 100	
A	D	A	D	A	D	A	D
100	2,5	100	2,5	100	3,0	100	3,0
120	2,5	120	2,5	120	3,0	120	3,0
140	2,7	140	2,7	140	3,0	140	3,0
150	2,9	150	2,9	150	3,0	150	3,0
160	2,9	160	2,9	160	3,0	160	3,0
180	2,9	180	2,9	180	3,0	180	3,0
200	3,0	200	3,0	200	3,0	200	3,0

DRAWING:



Dimensions expressed in centimeters

ACCESSORIES:

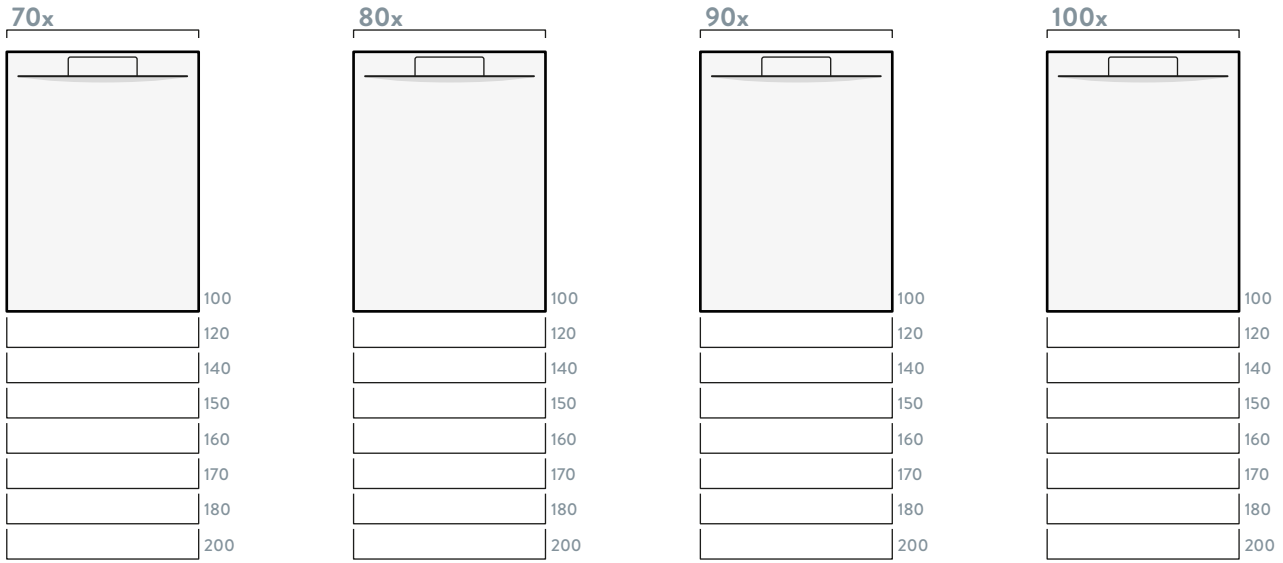


RESIN COVER 300 (IN THE SAME COLOUR AS THE SHOWER TRAY)
INCLUDED IN ALL THE FUSION SERIES

RECTANGULAR SIPHON VALVE FOR FUSION SERIES

Fusion

SIZES:



Dimensions expressed in centimeters

TOLERANCE:

Lenght and width tolerance	+5/0	mm
Height tolerance	+2/-2	mm
Bending tolerance	<1200 mm	+2/-2 mm
	≥1200 mm	+3/-3 mm
Hole location tolerance	+2/-2	mm
Holes diameter tolerance	+2/-2	mm