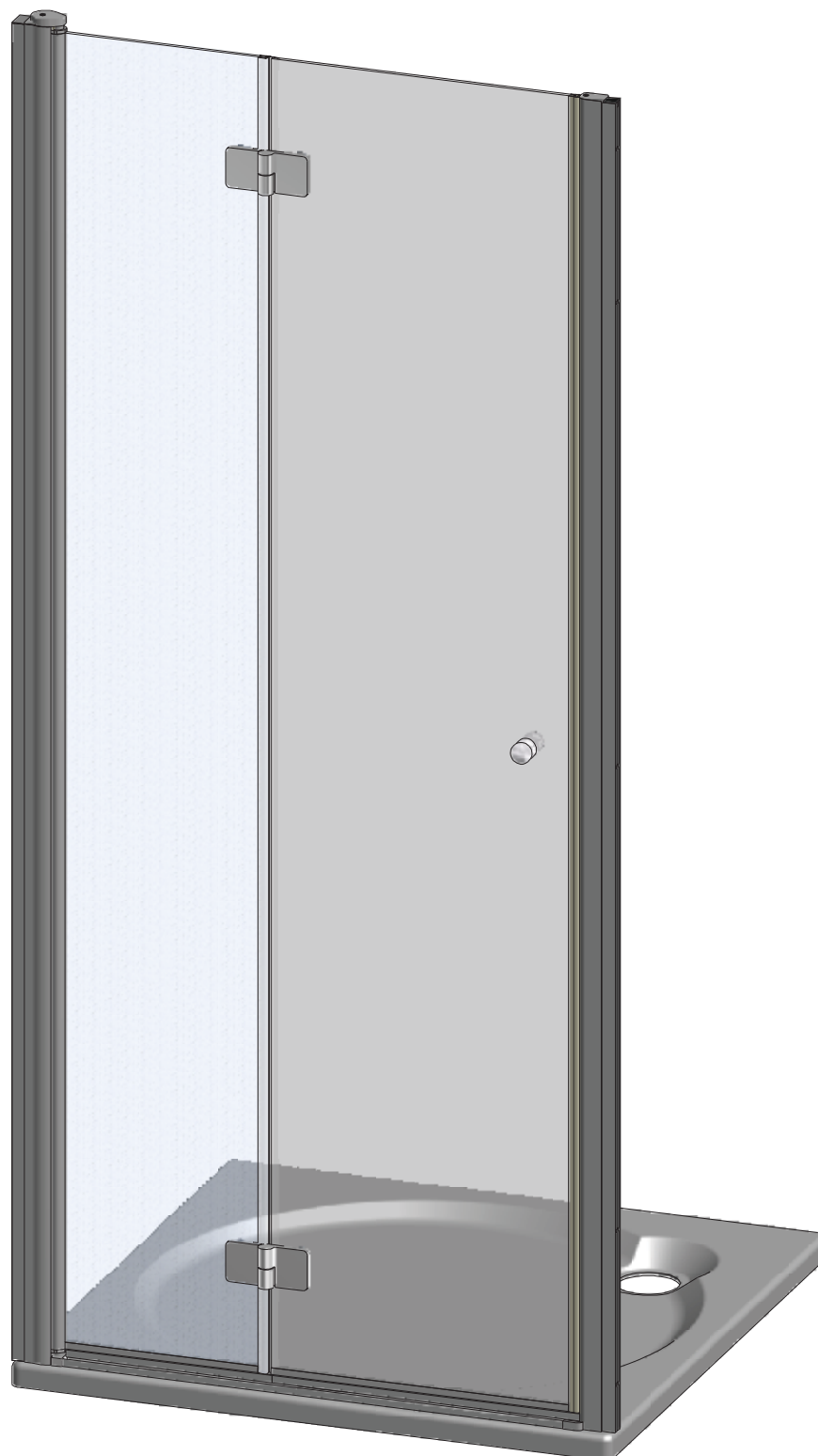
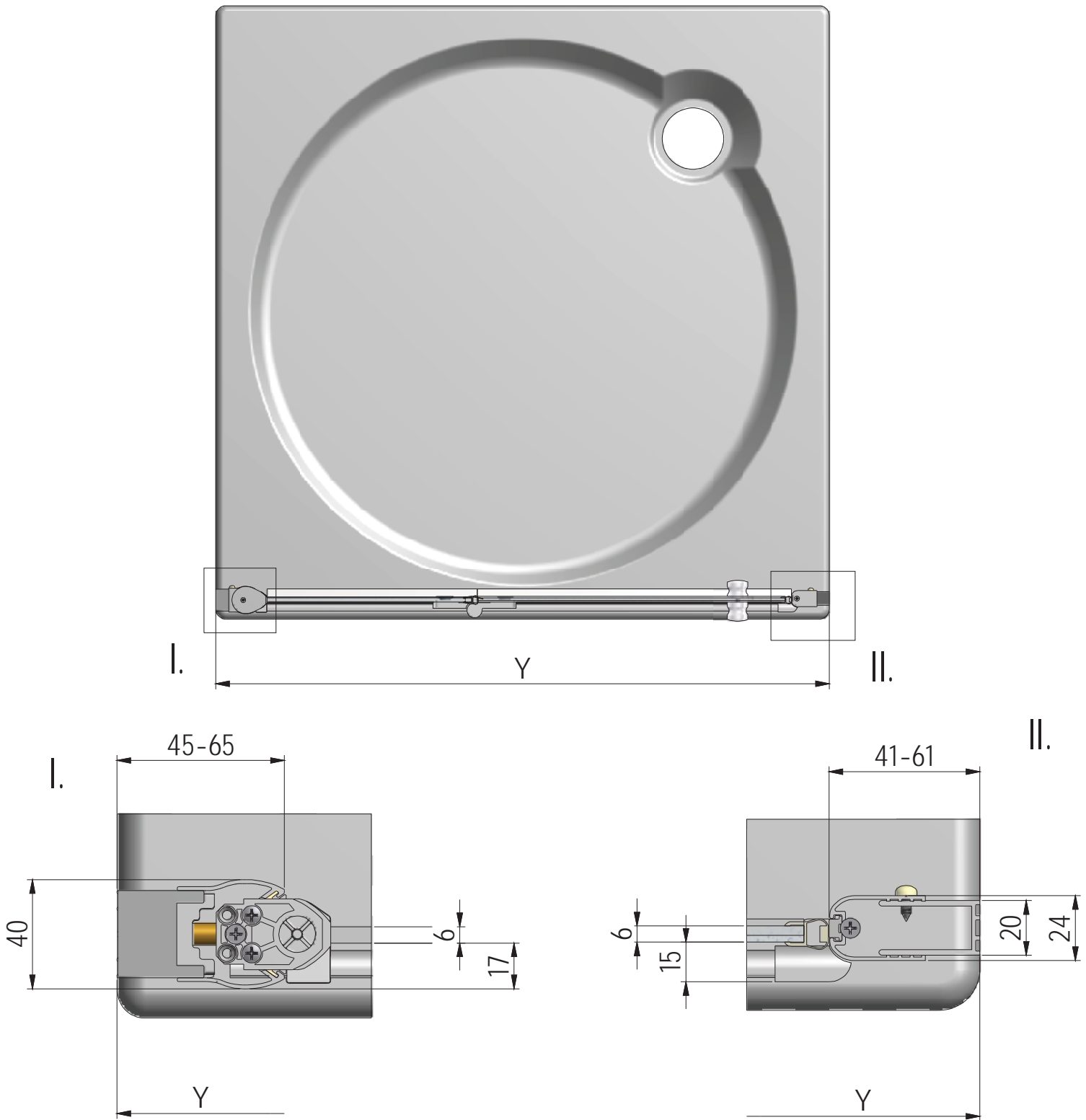
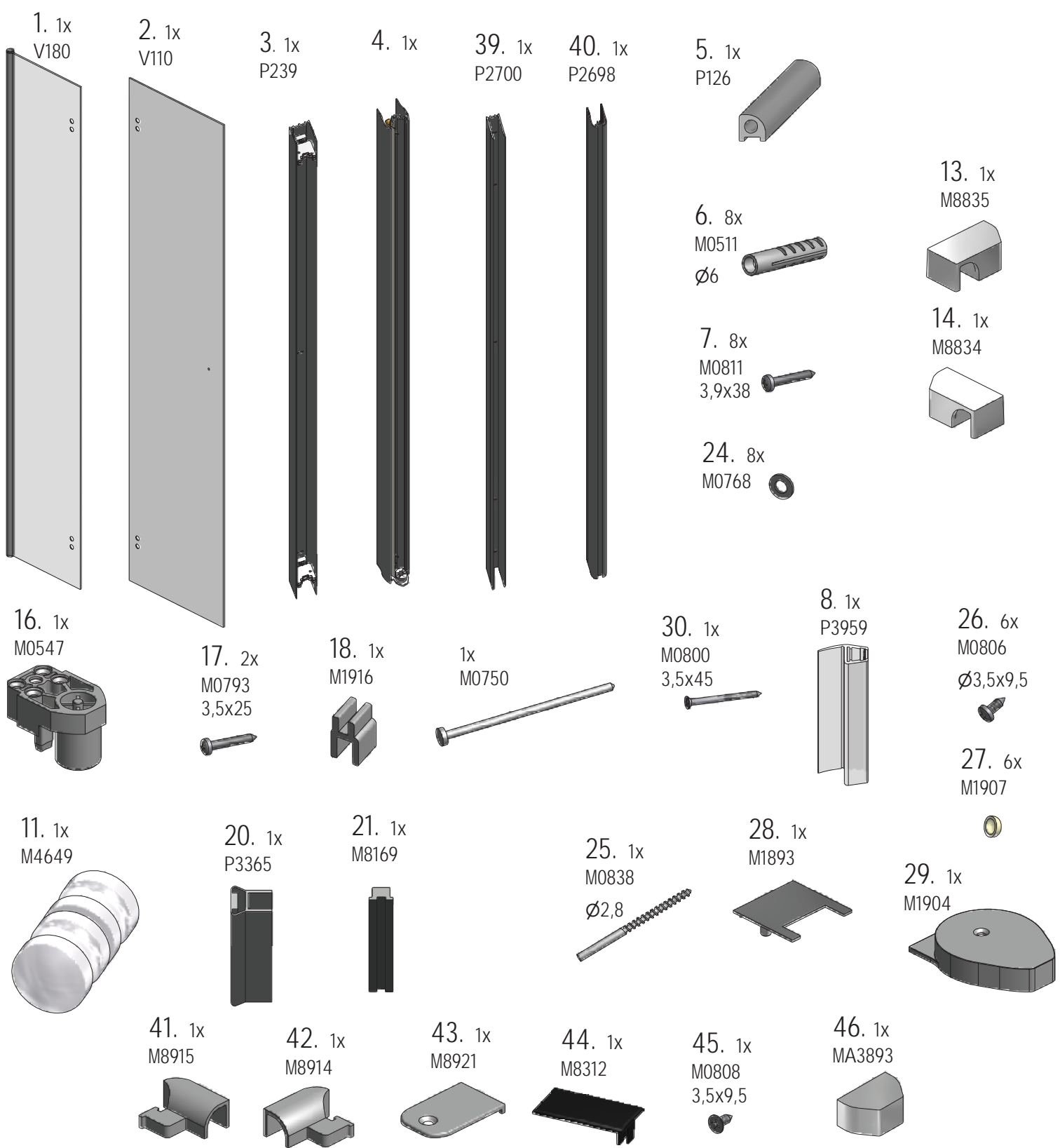


TZNL1(TZNP1)

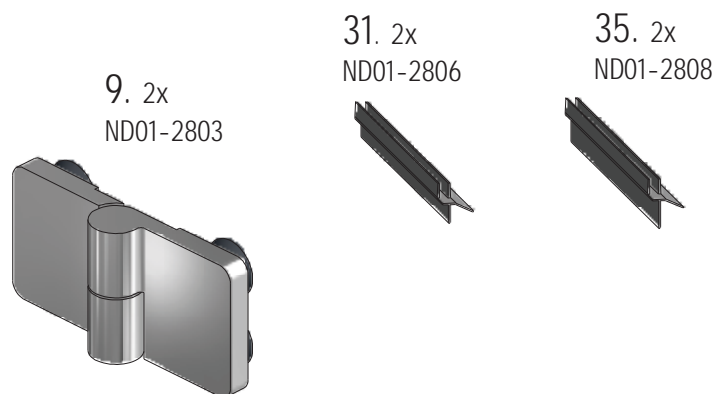




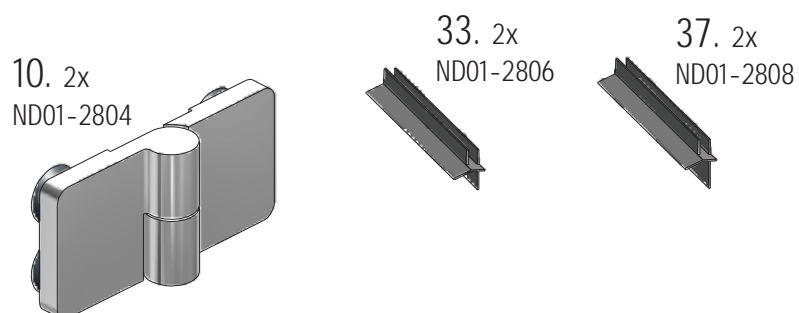
TZN1	Y (mm)	
	MIN	MAX
800	775	810
900	875	910
1000	975	1010
1100	1075	1110
1200	1175	1210



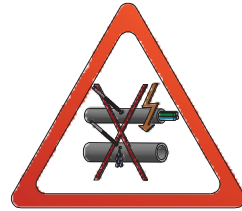
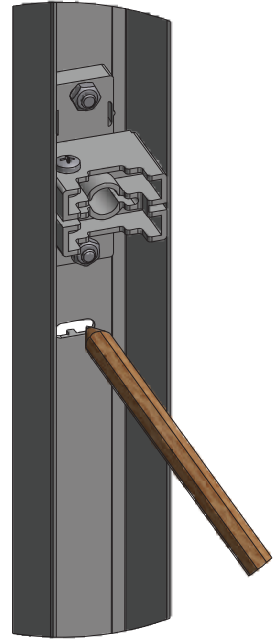
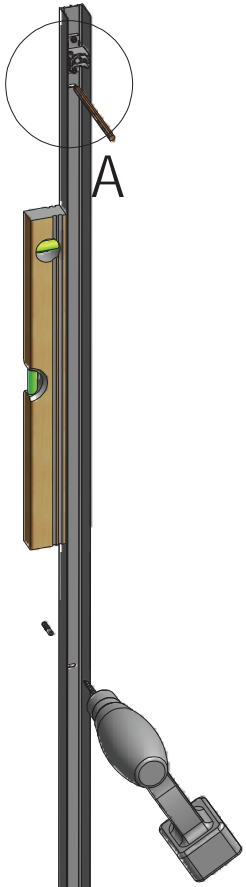
TZNL1



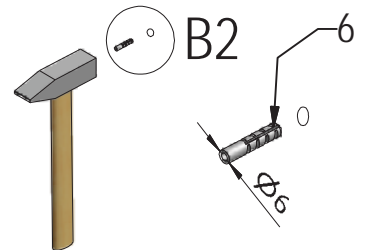
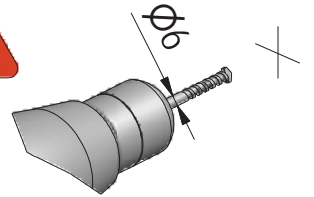
TZNP1



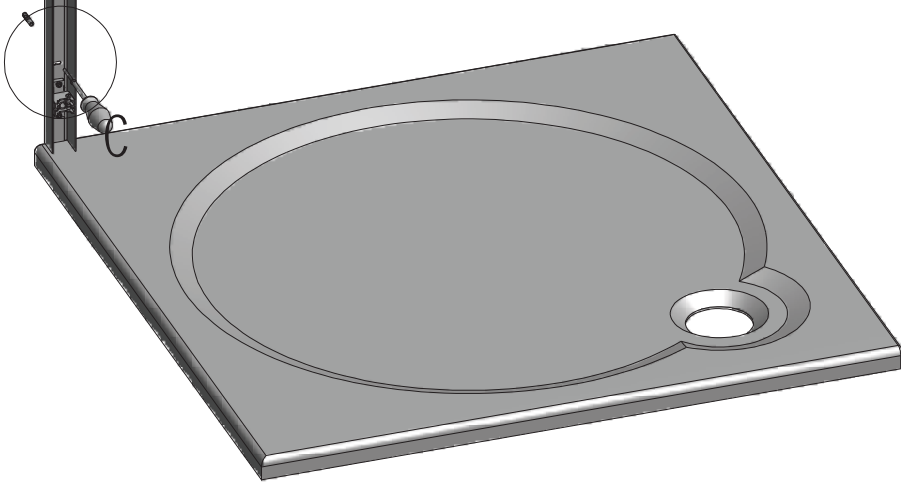
A (1 : 2)



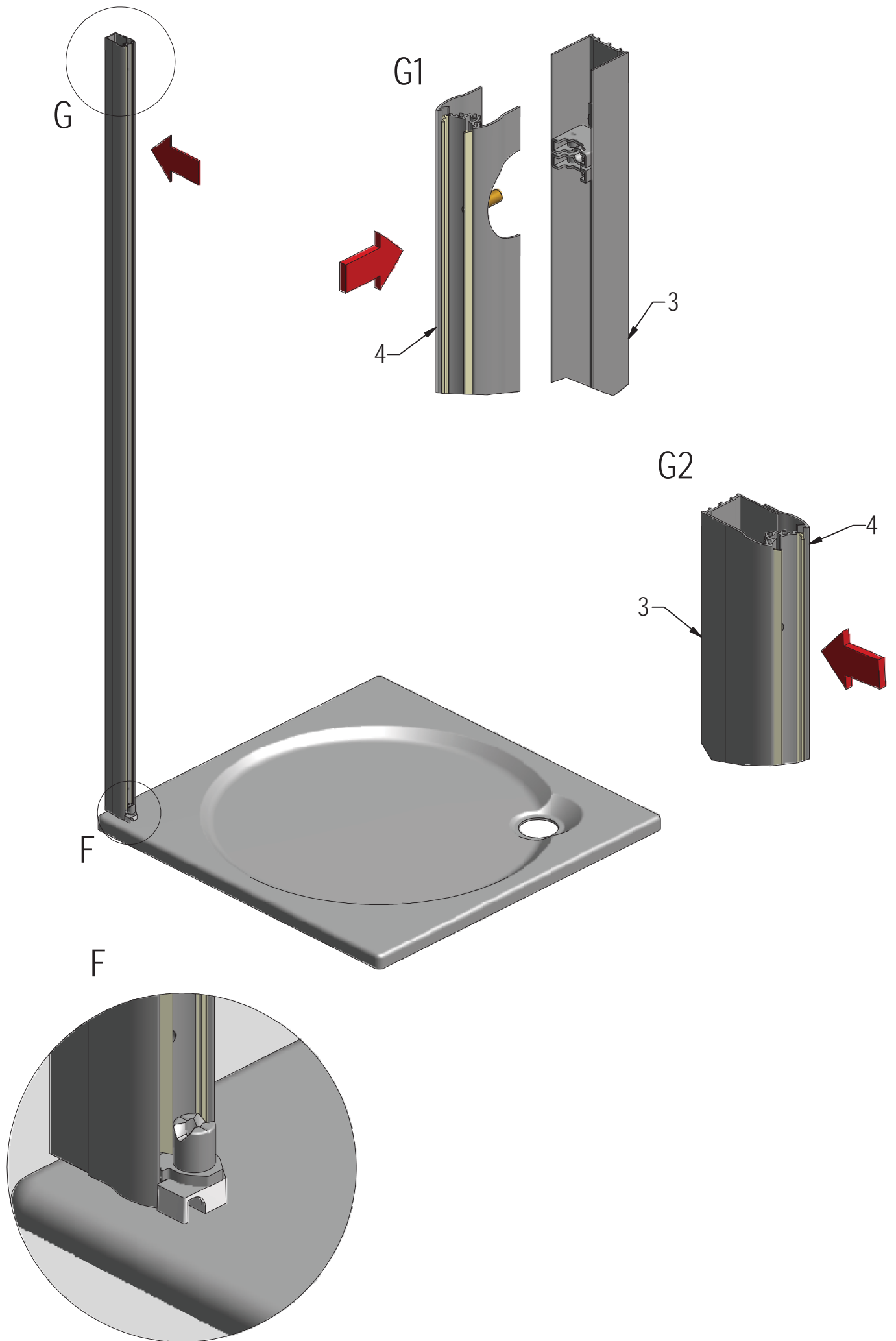
B1



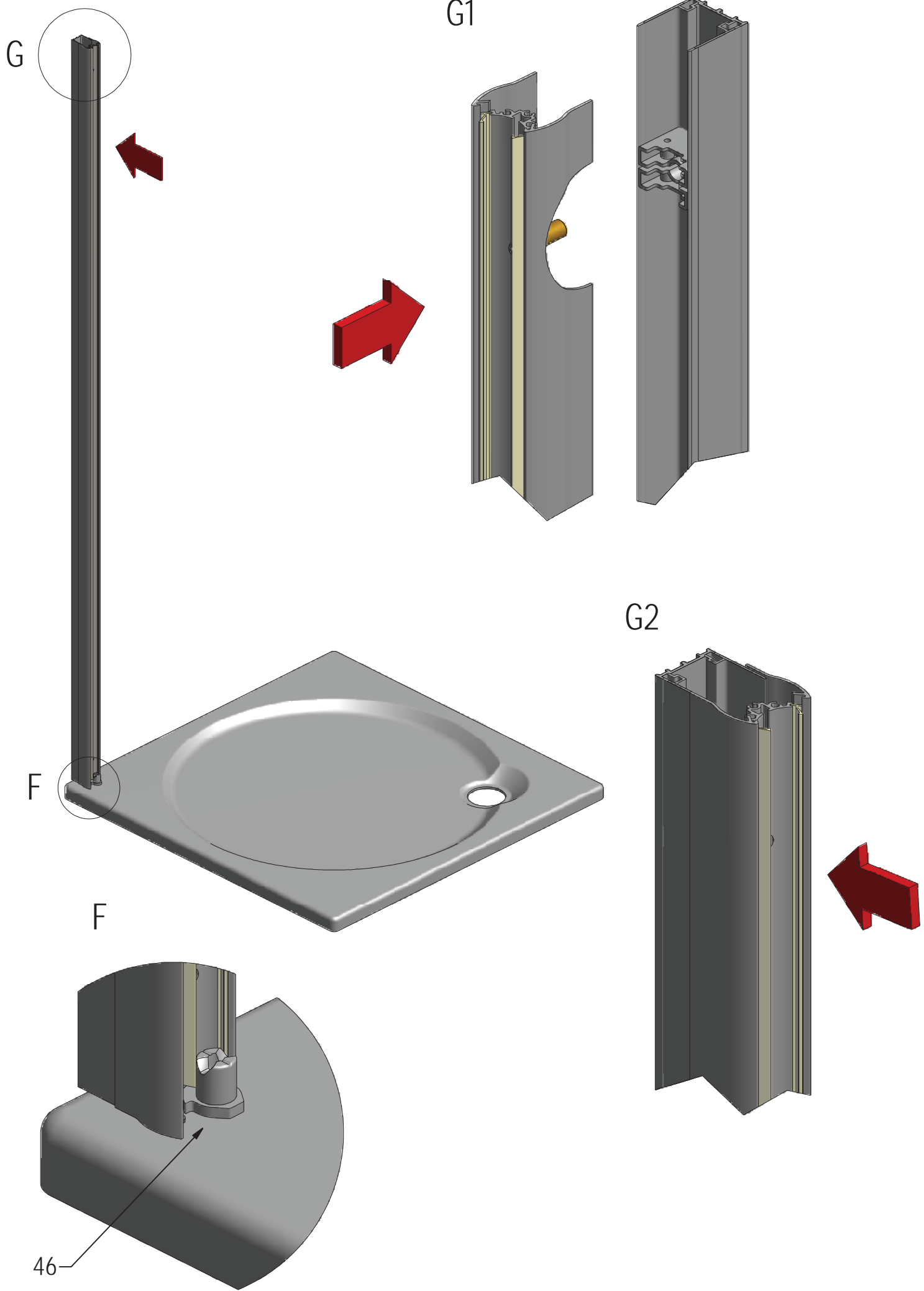
C (1 : 2)



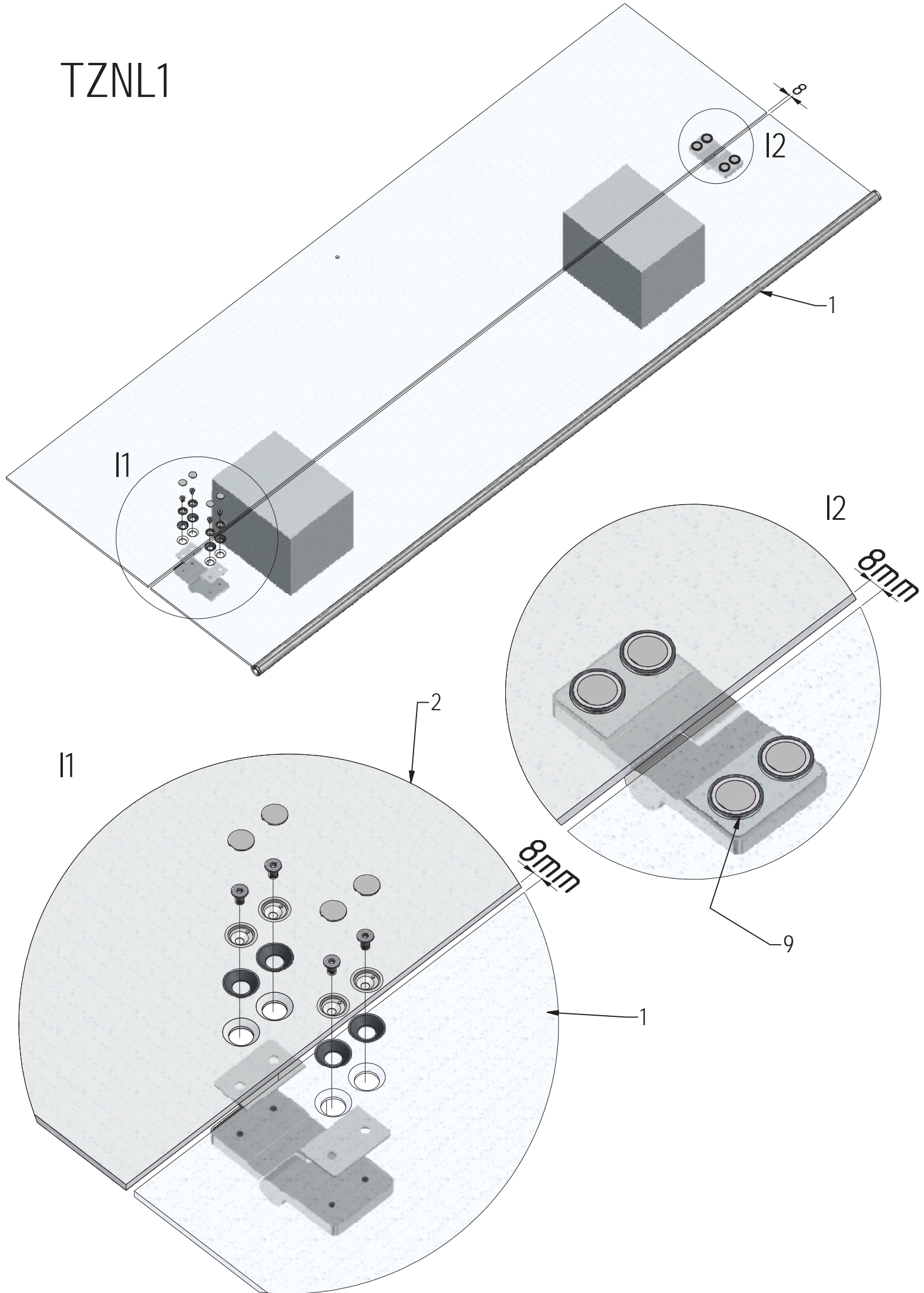
Varianta I.



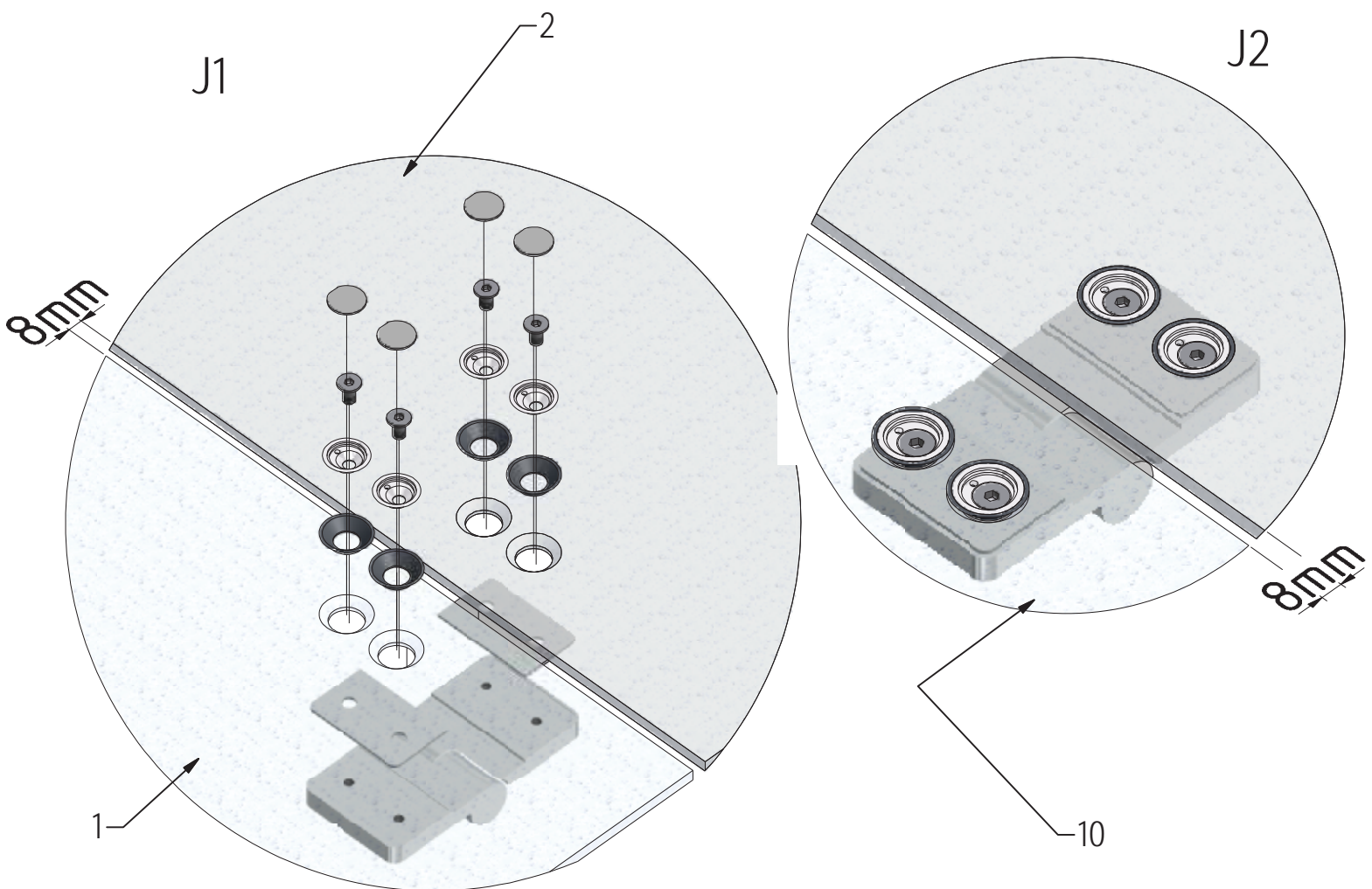
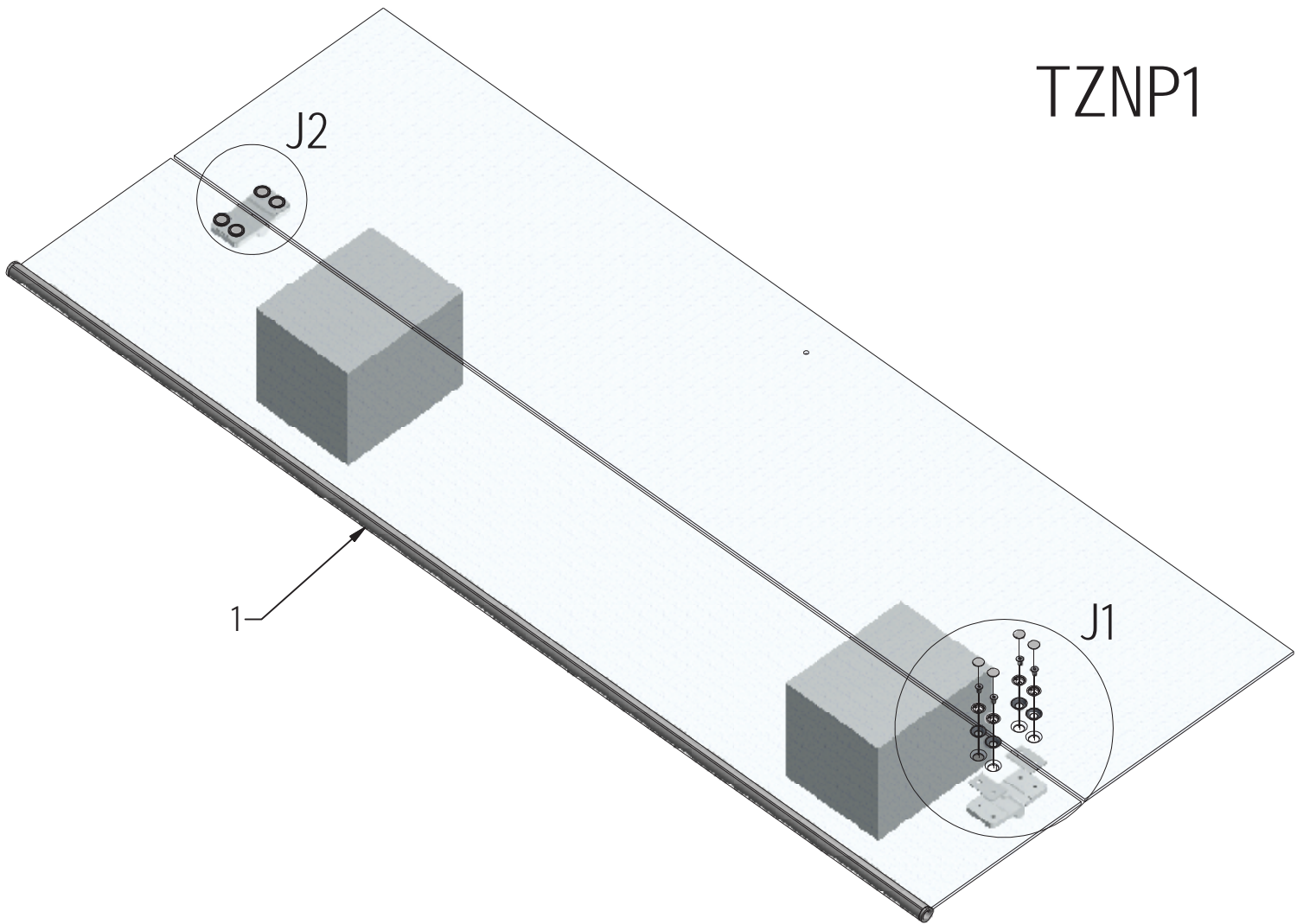
Varianta II.

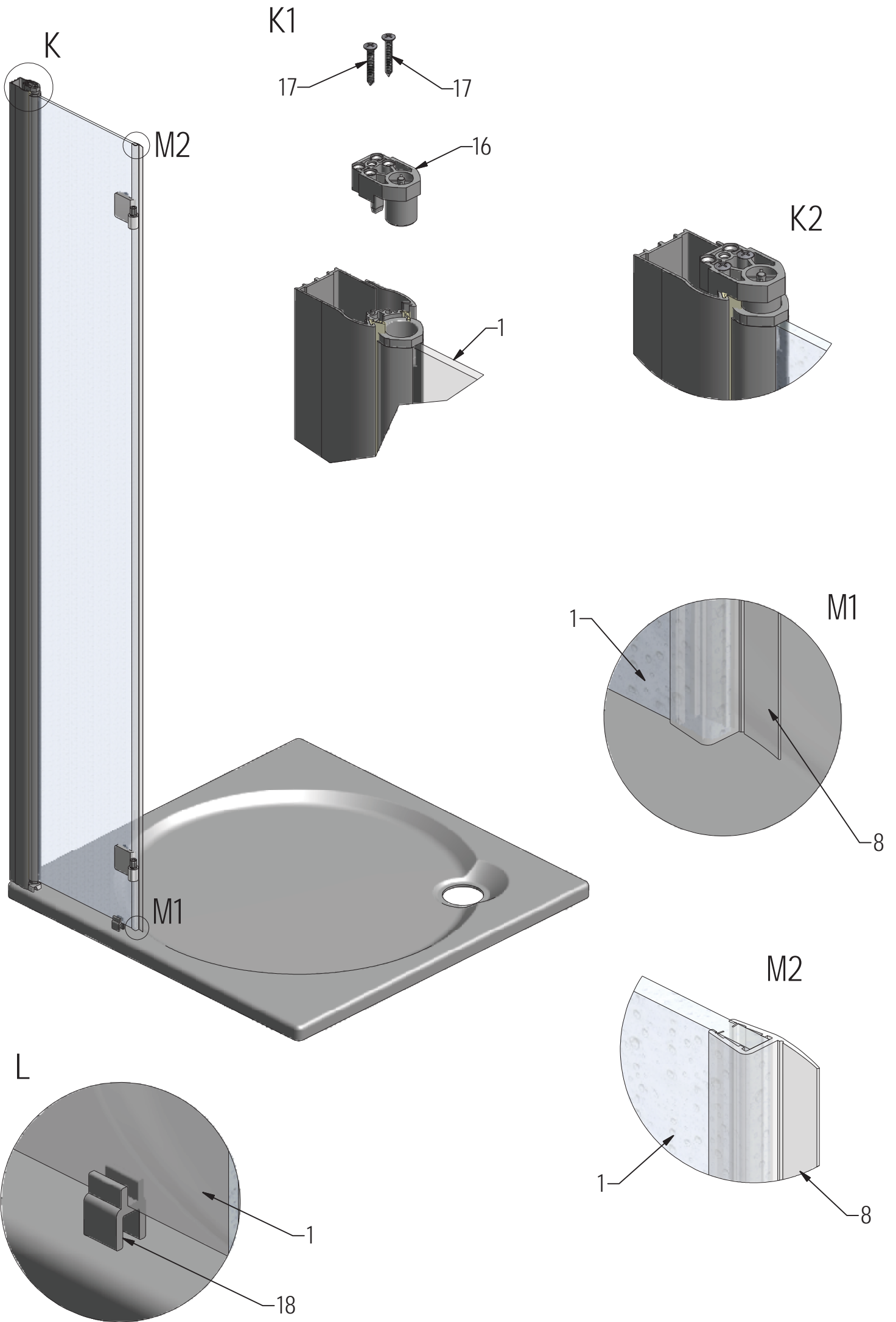


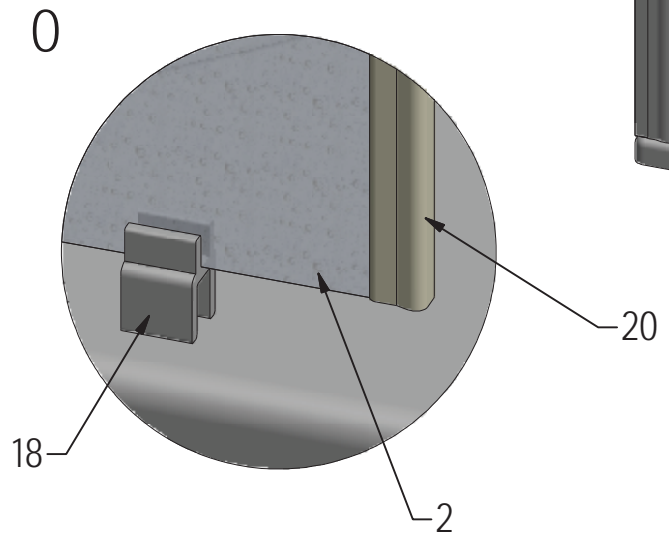
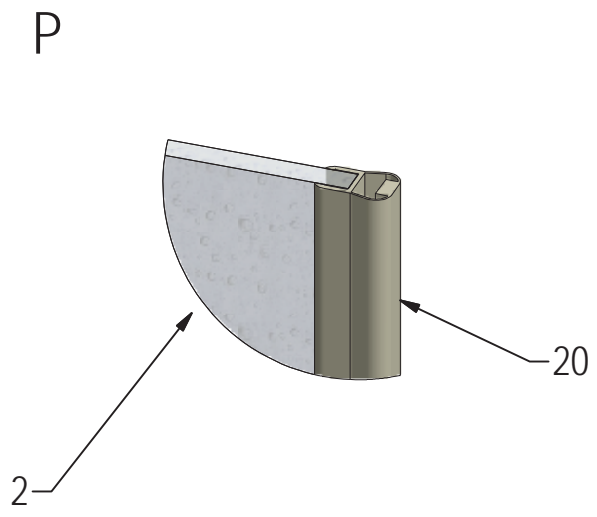
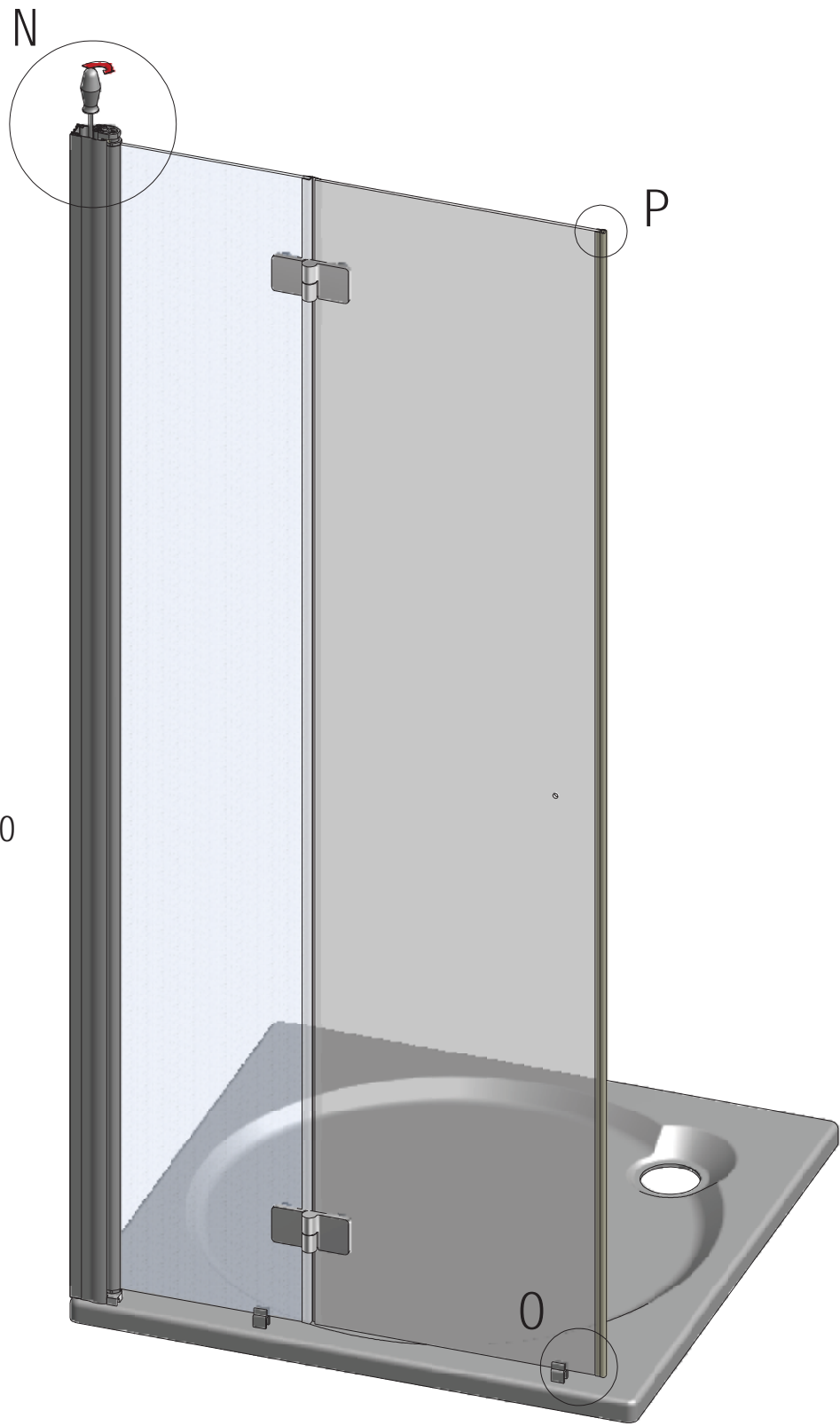
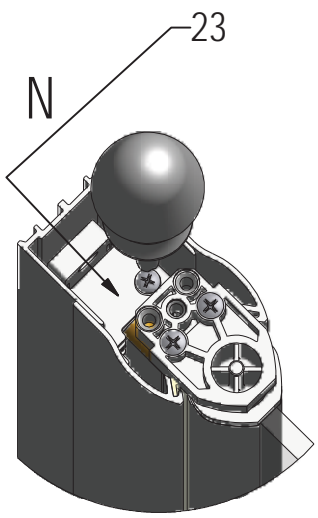
TZNL1

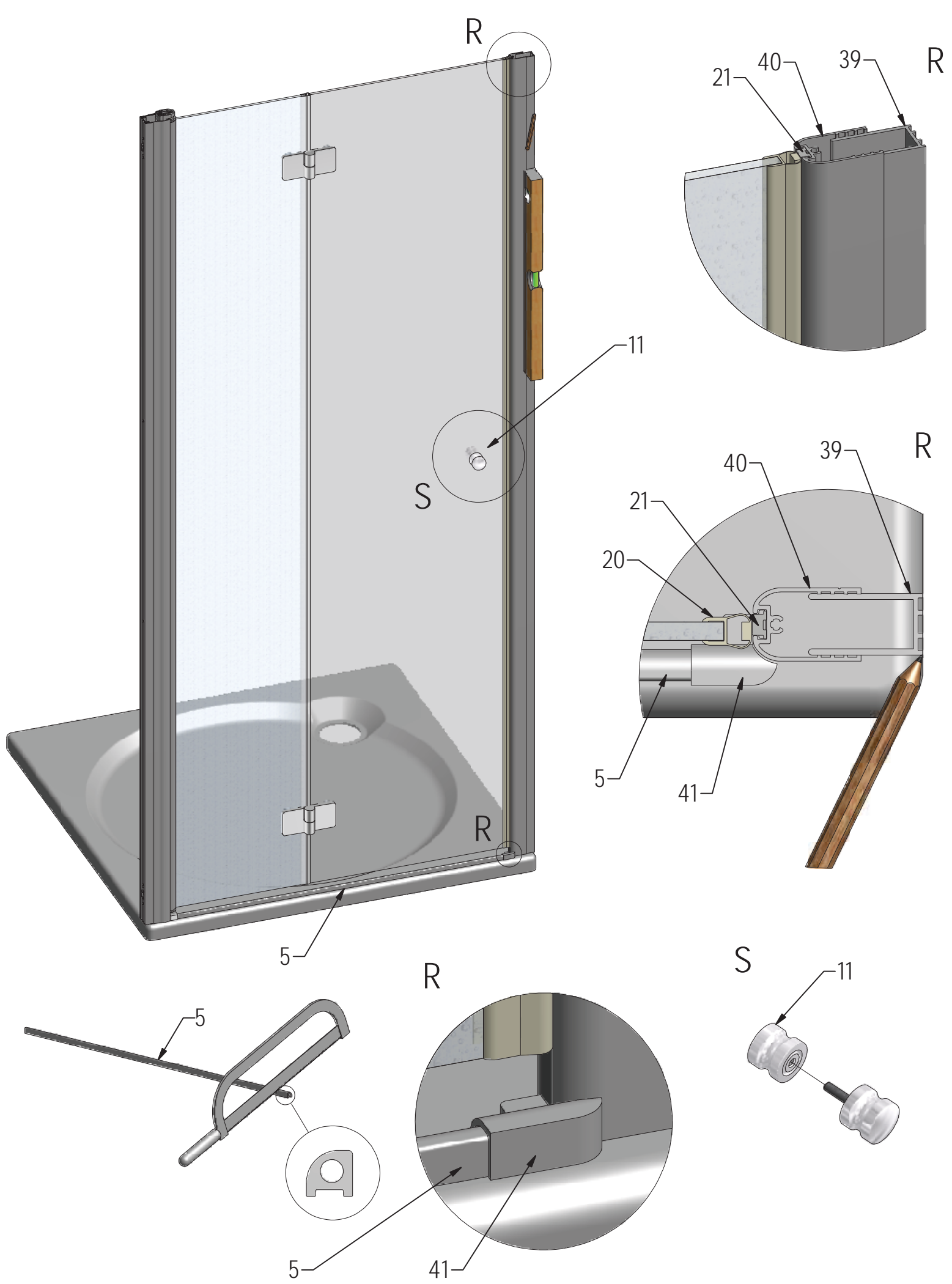


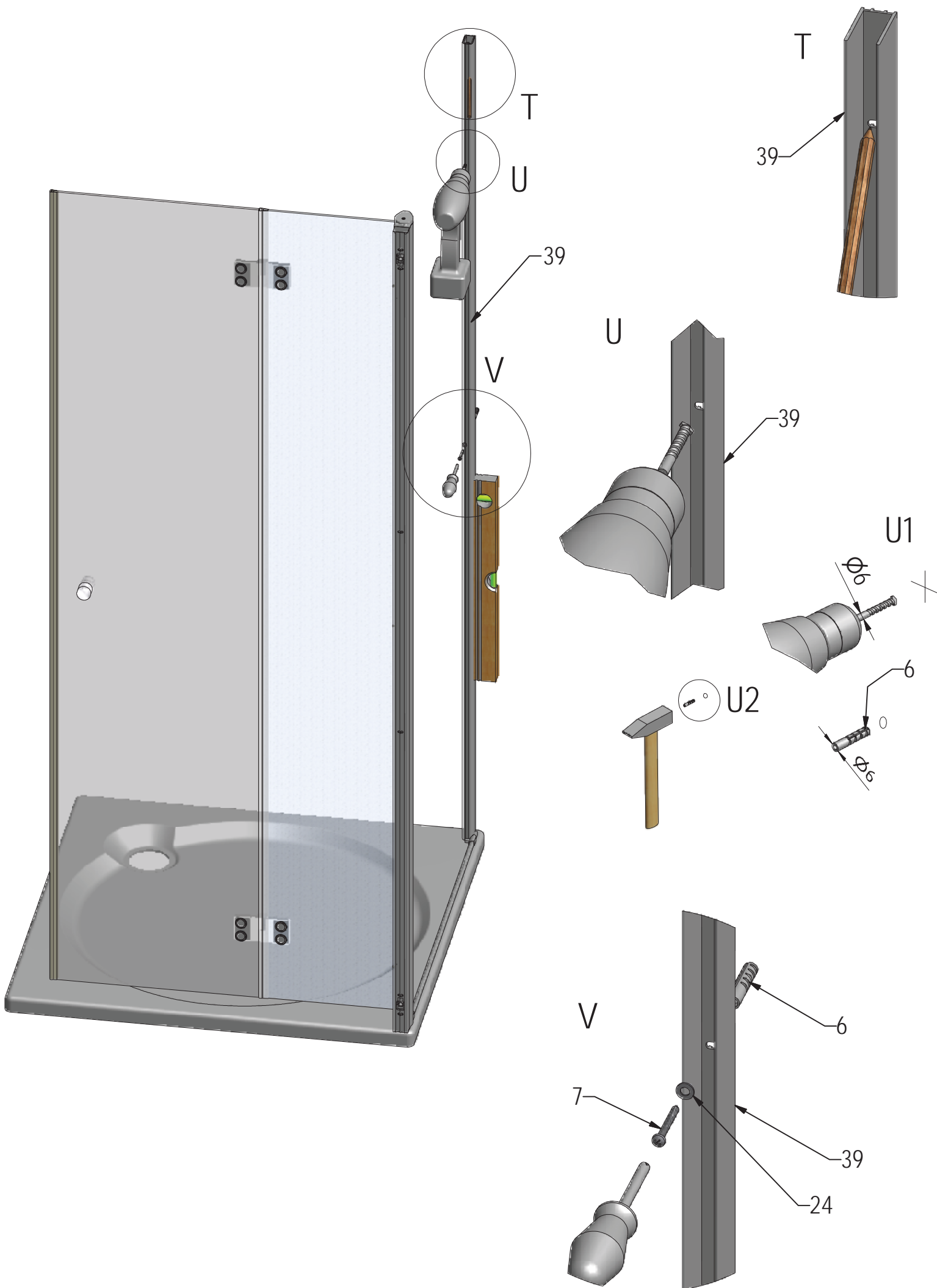
TZNP1

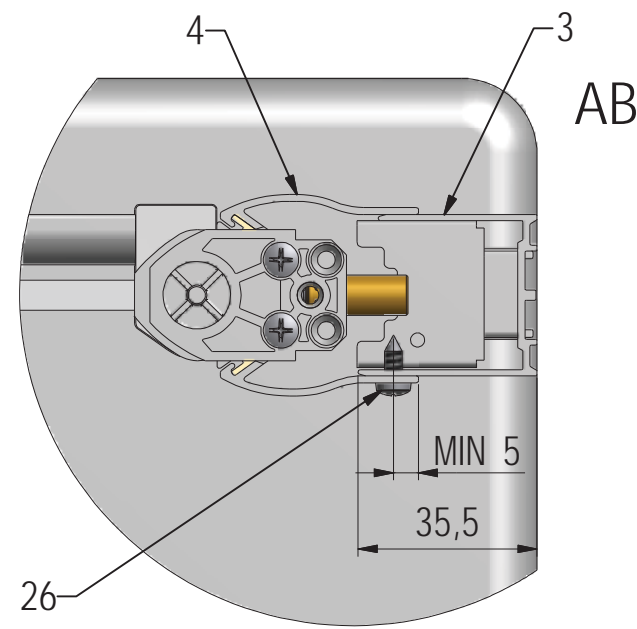
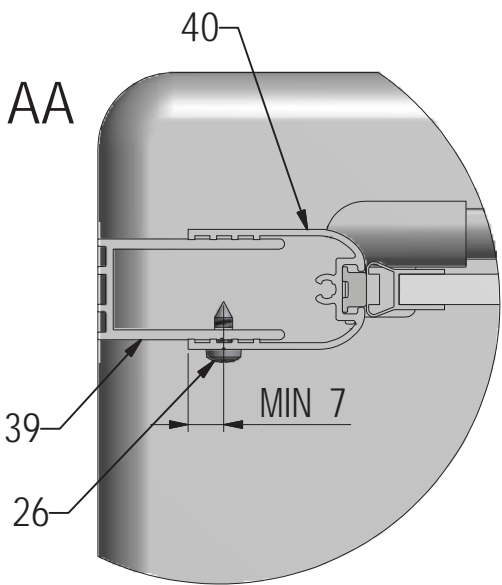
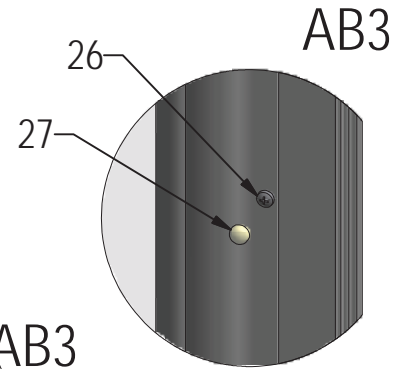
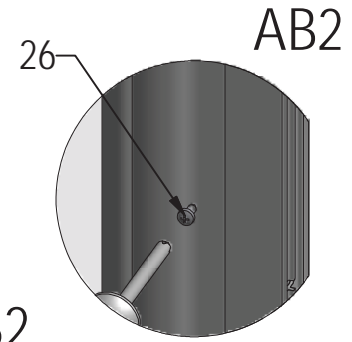
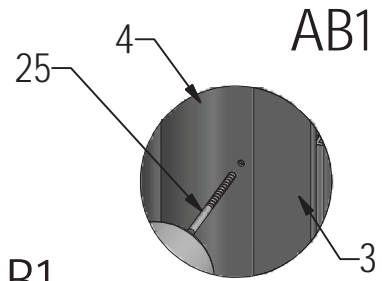
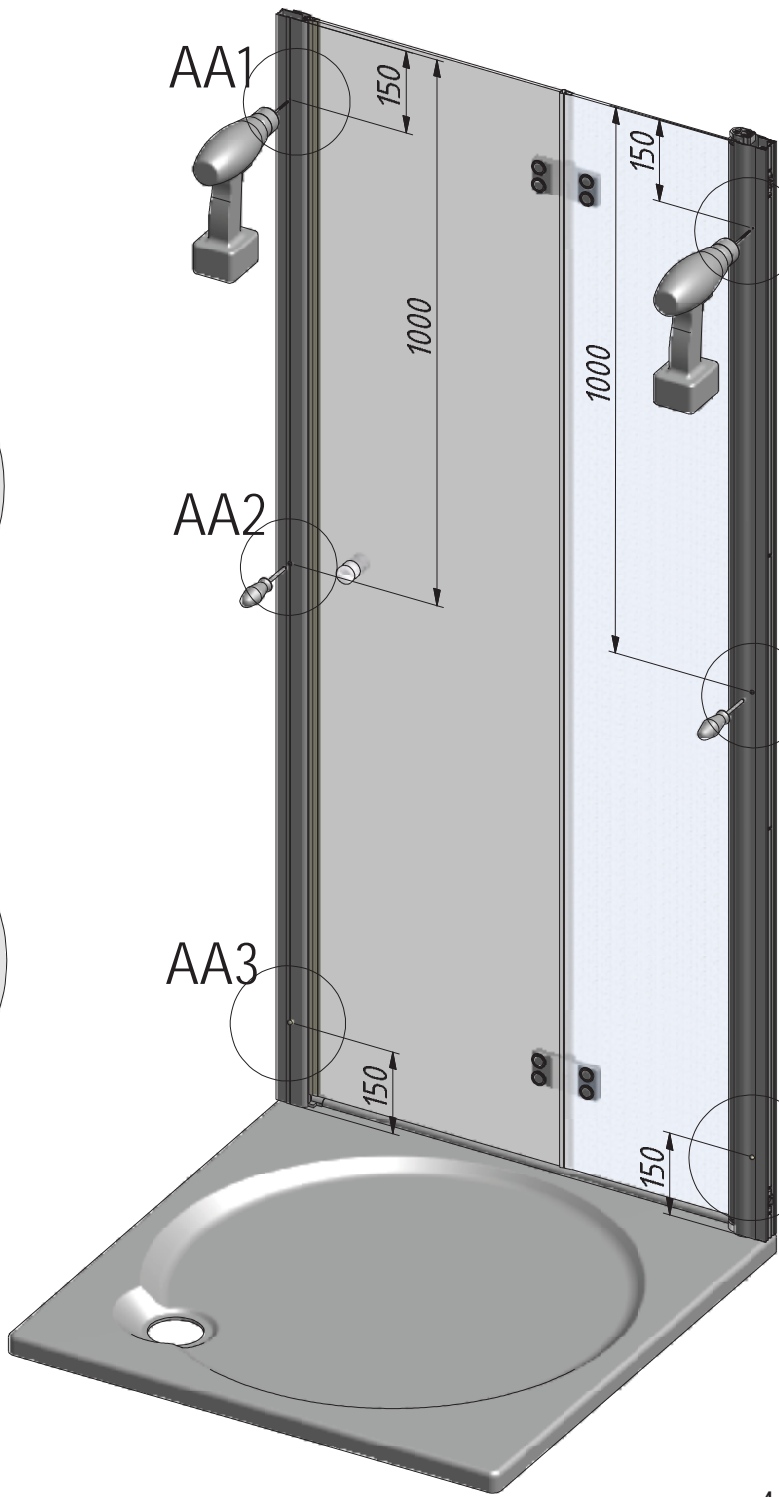
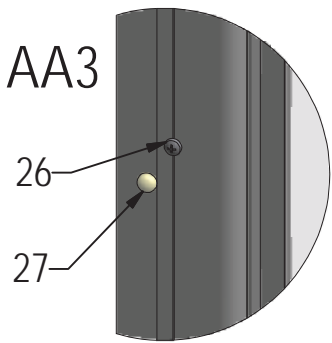
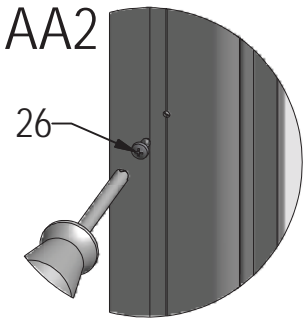
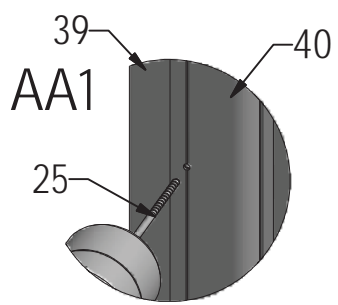


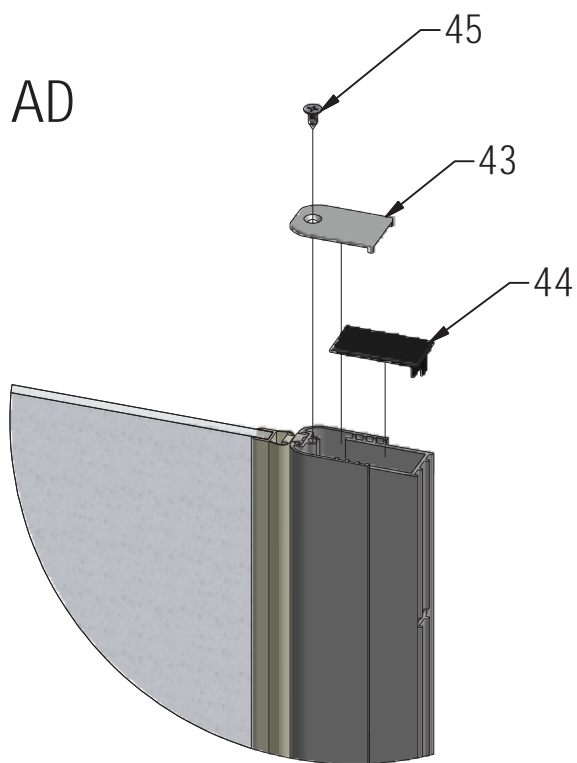
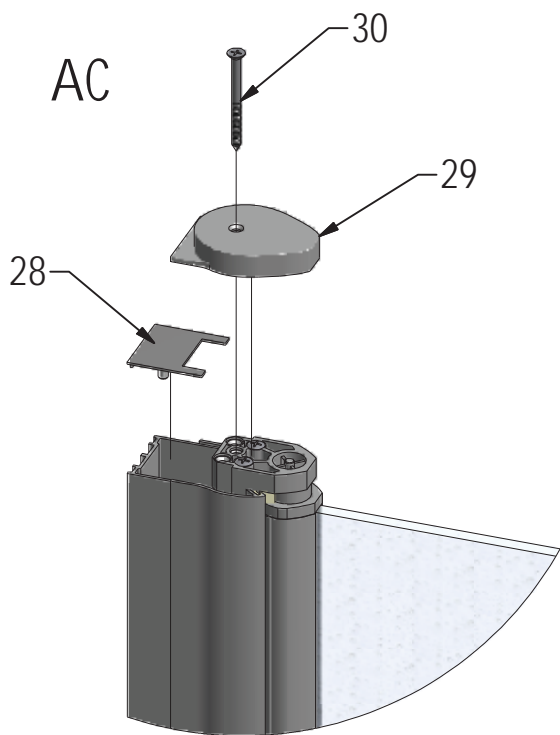




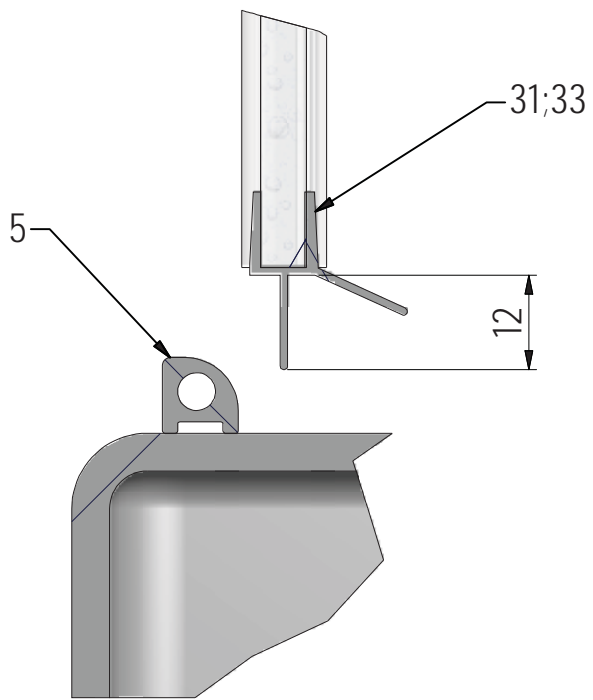




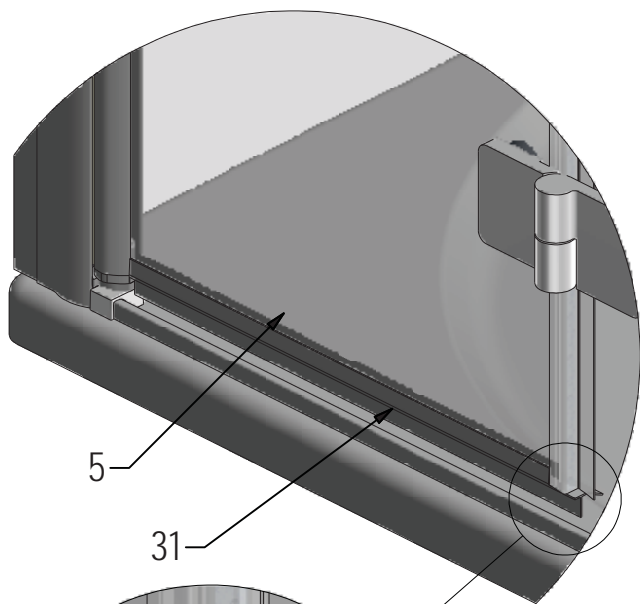
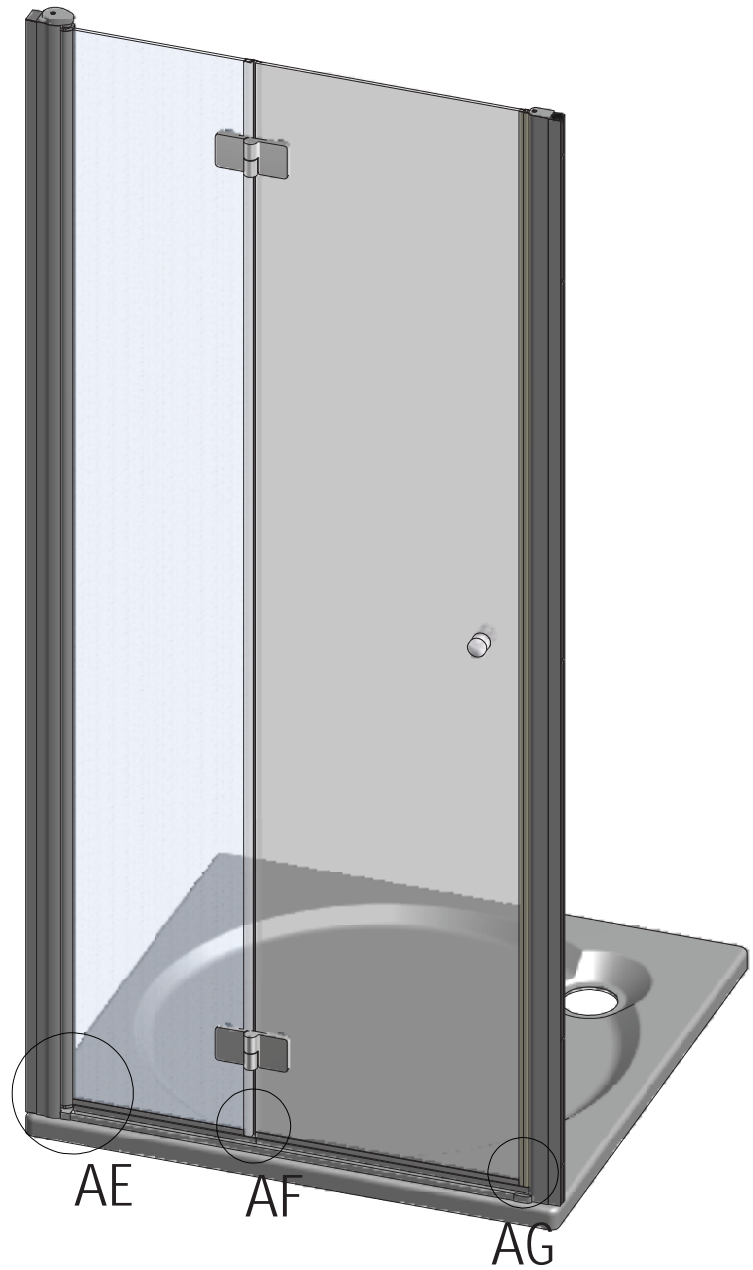




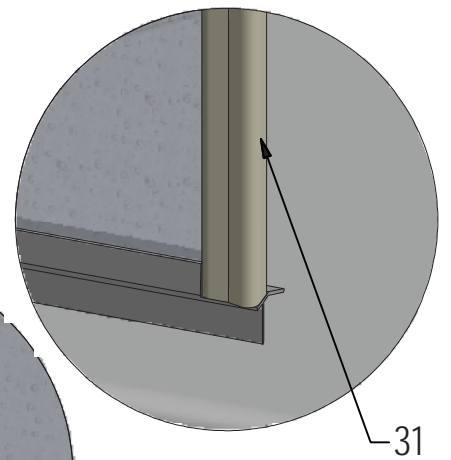
varianta I.



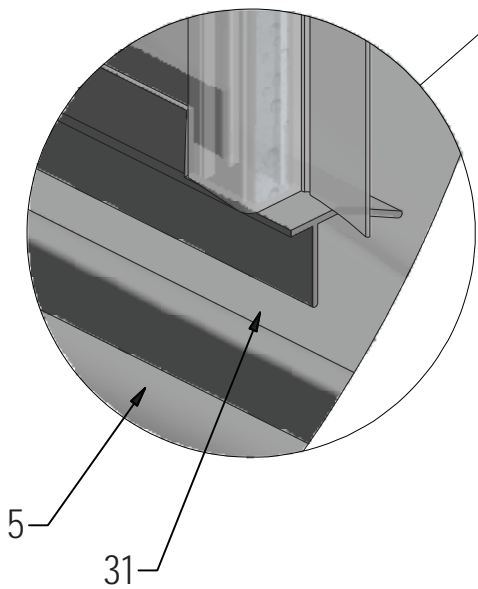
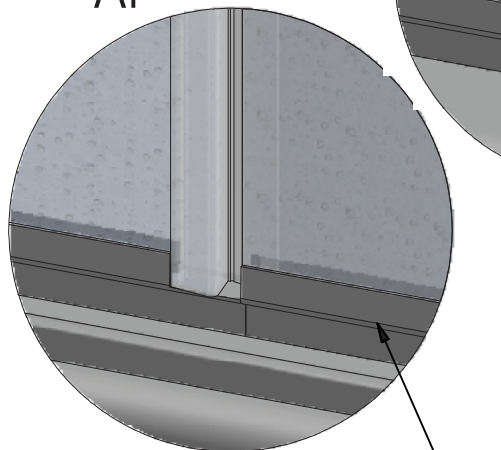
AE



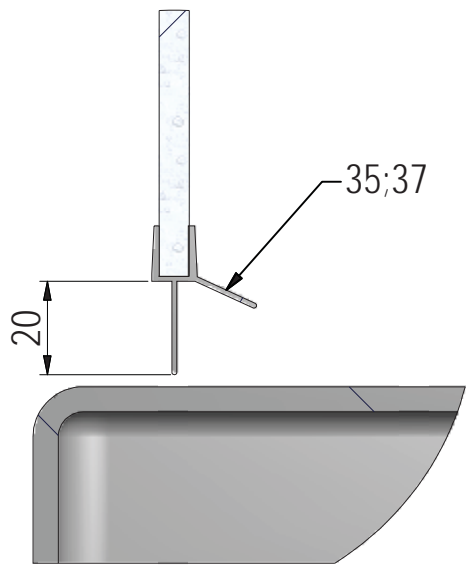
AG



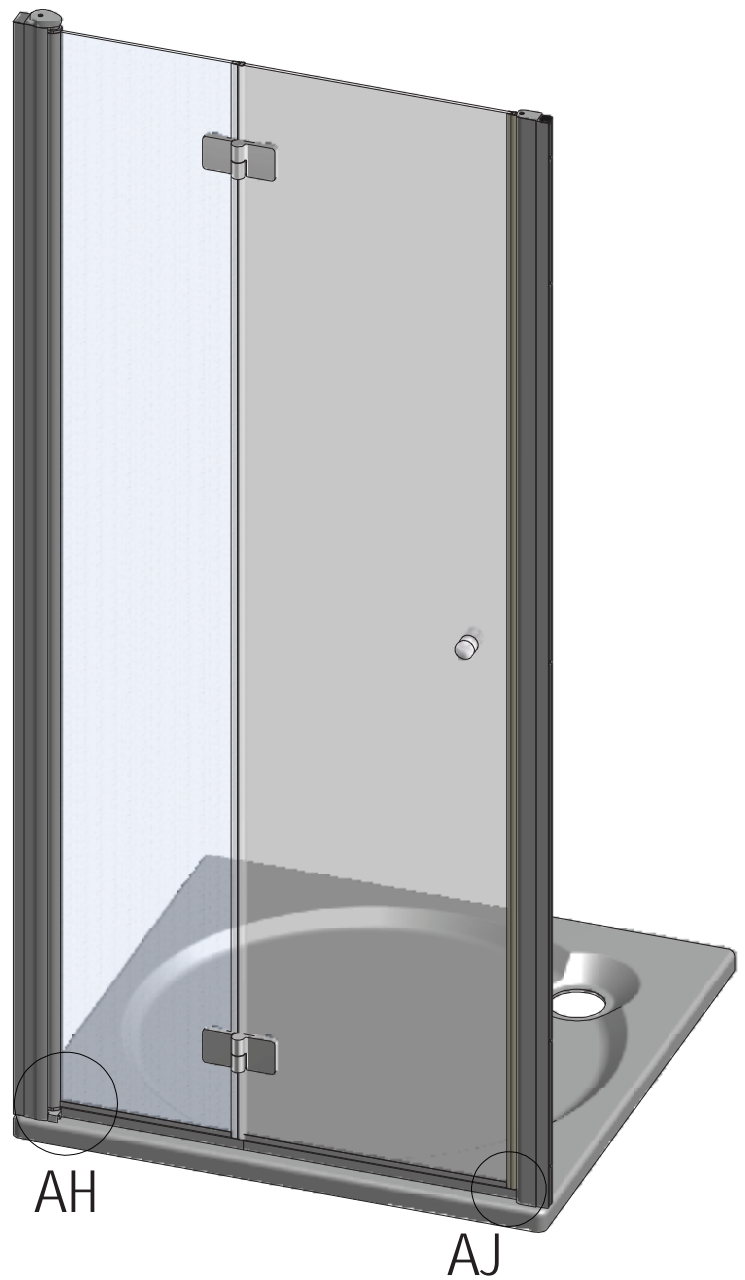
AF



varianta II.



AH



AH

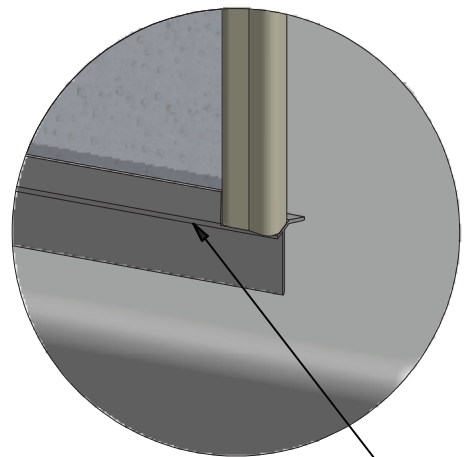
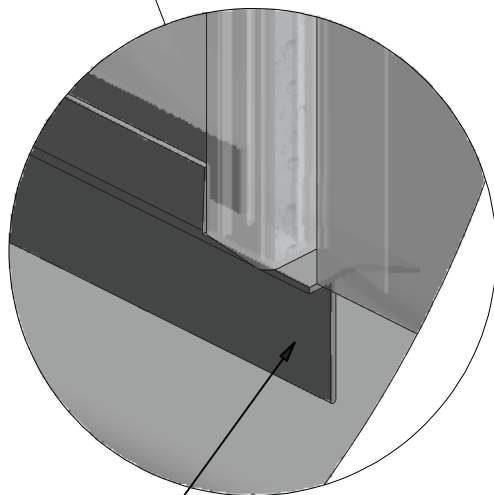
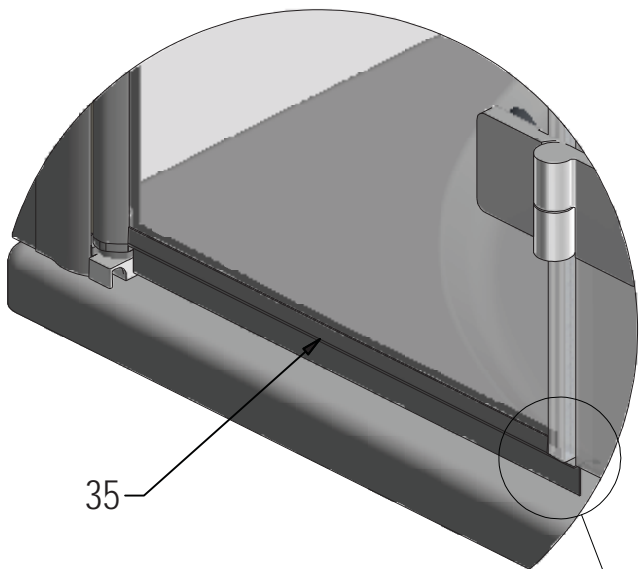
AJ

AJ

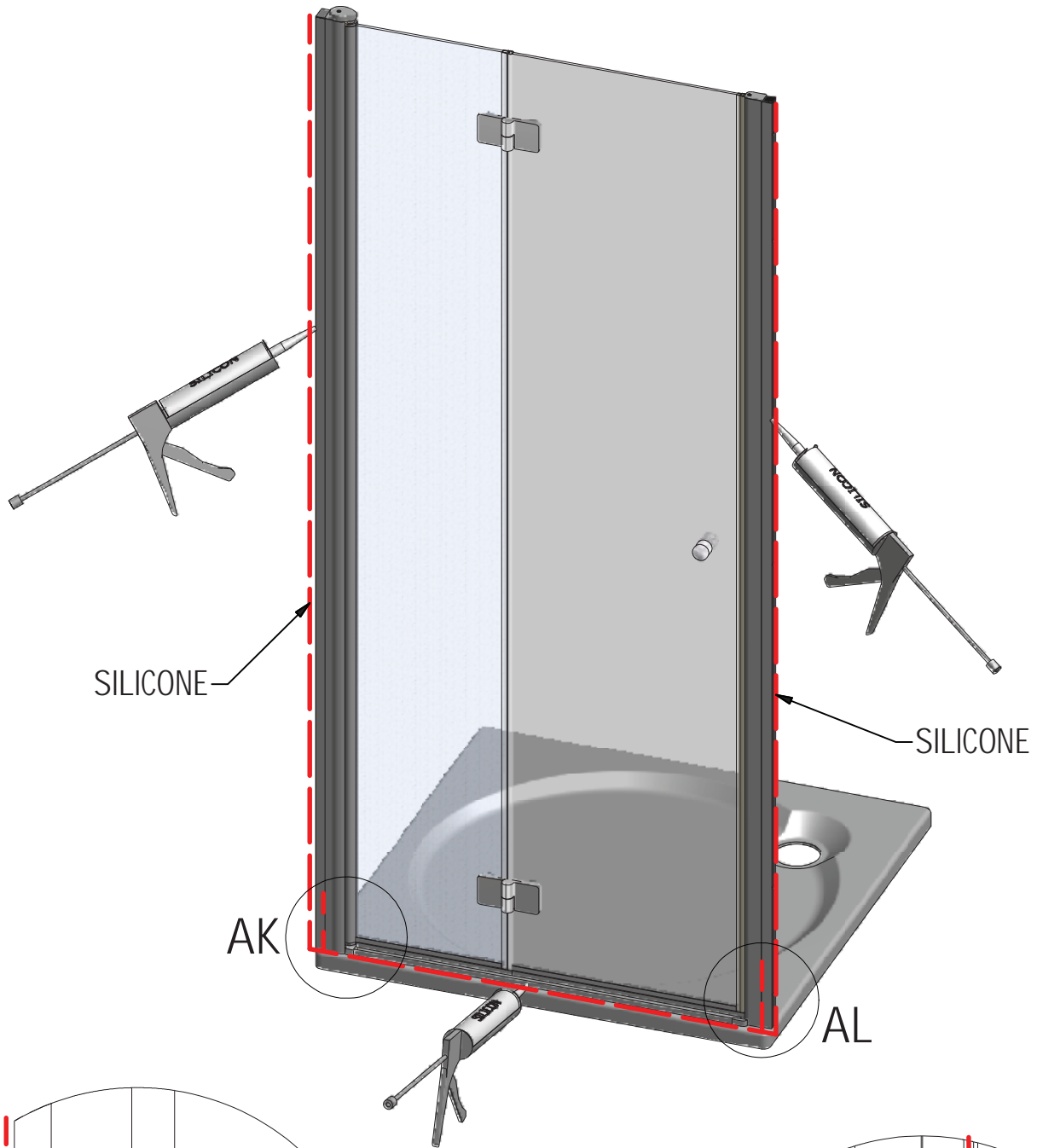
35

35

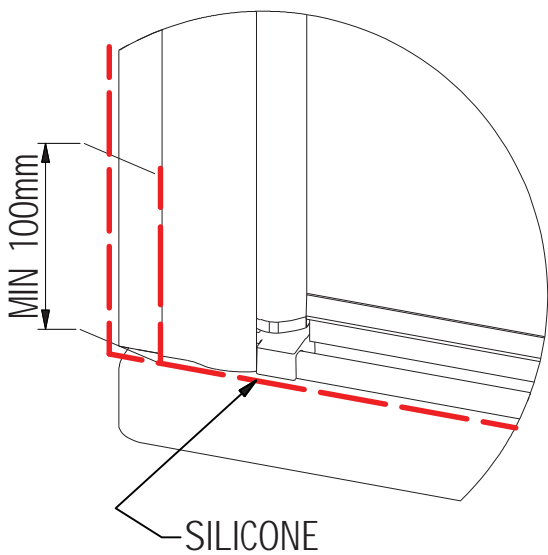
35



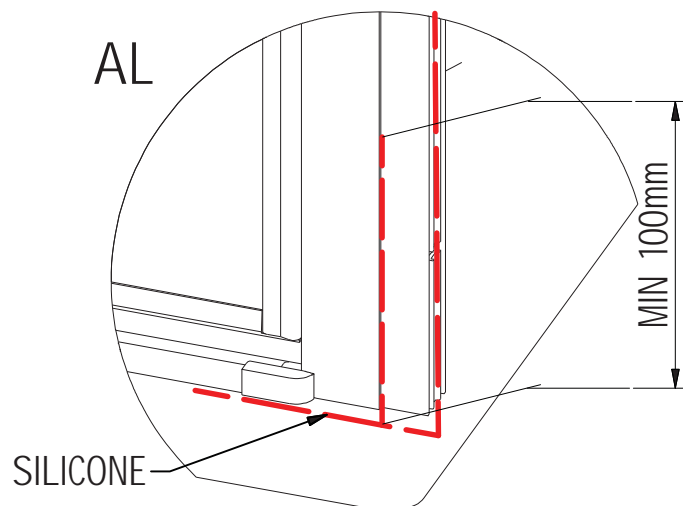
varianta I.



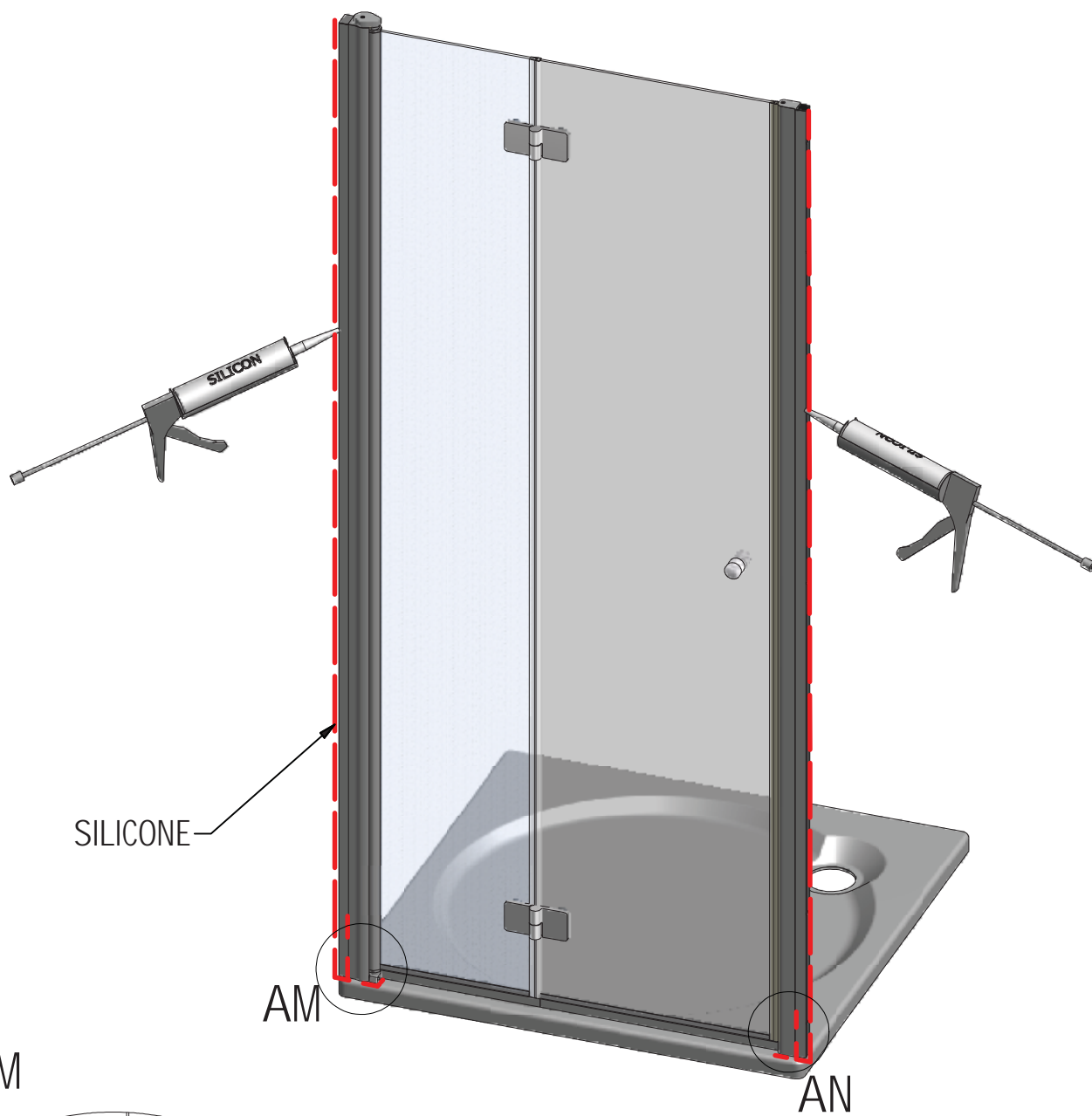
AK



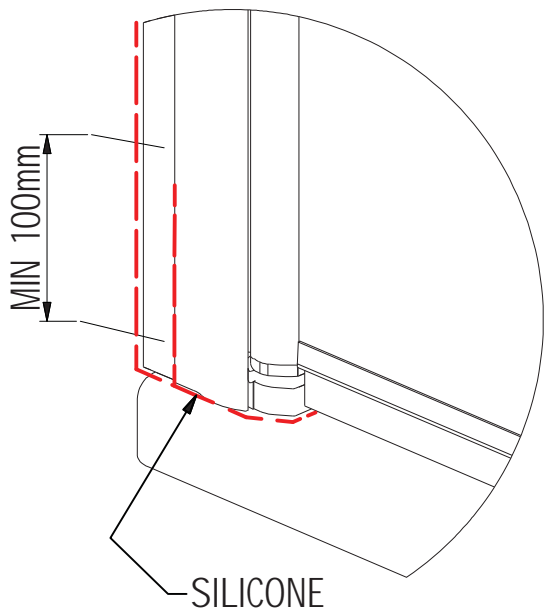
AL



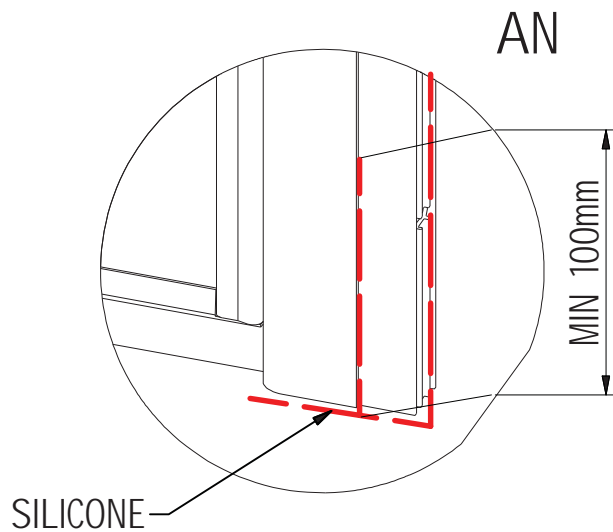
varianta II.

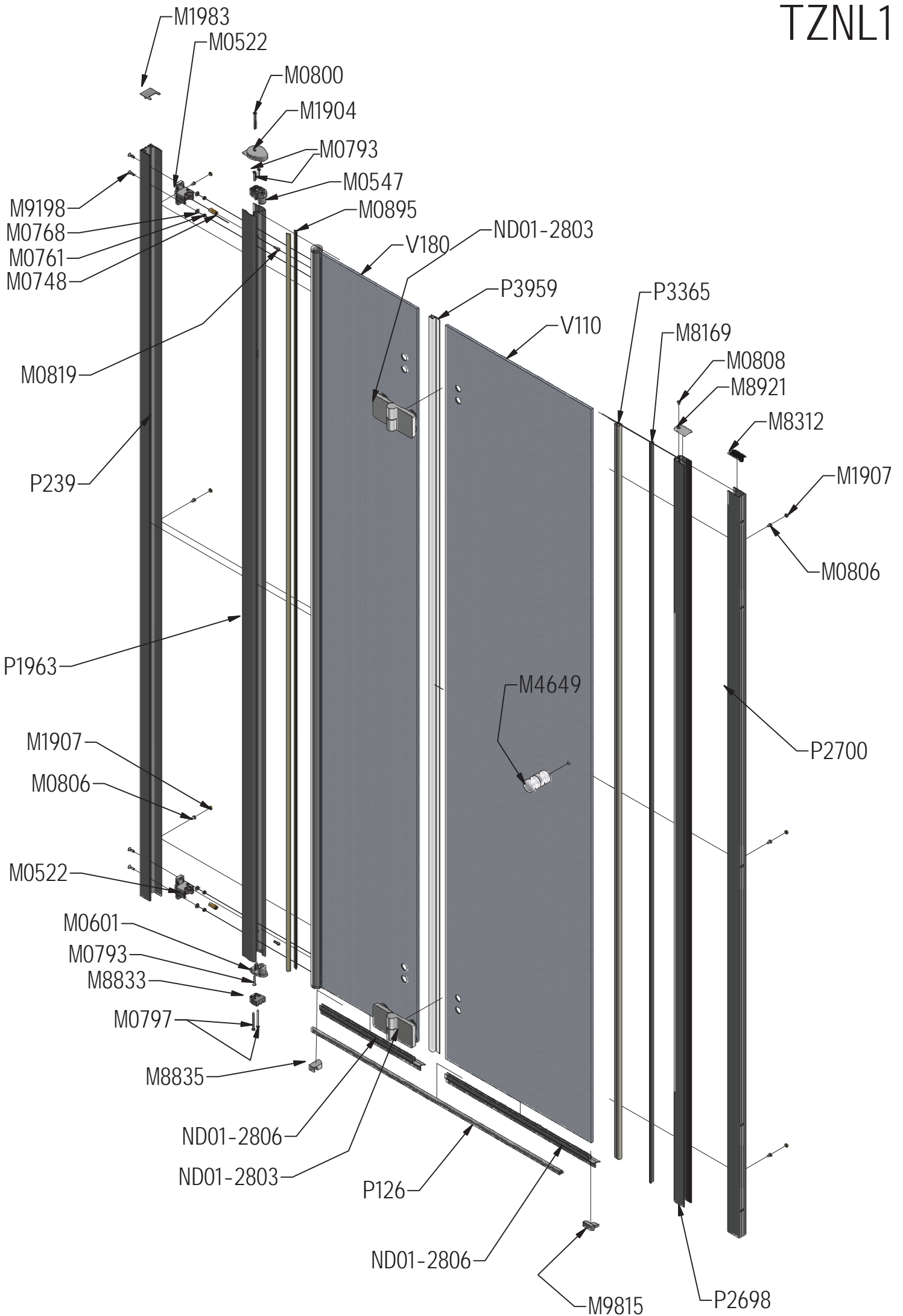


AM

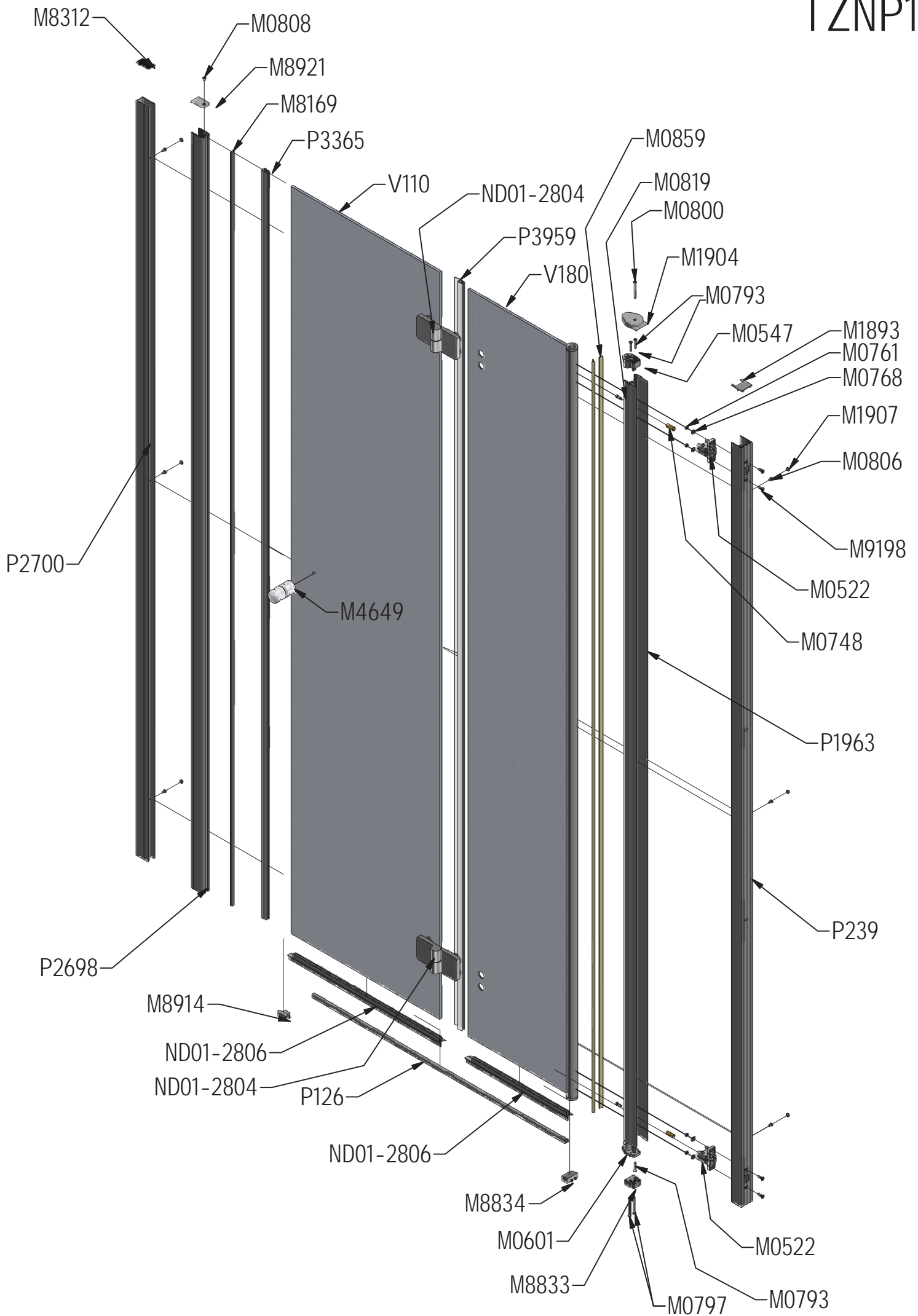


AN

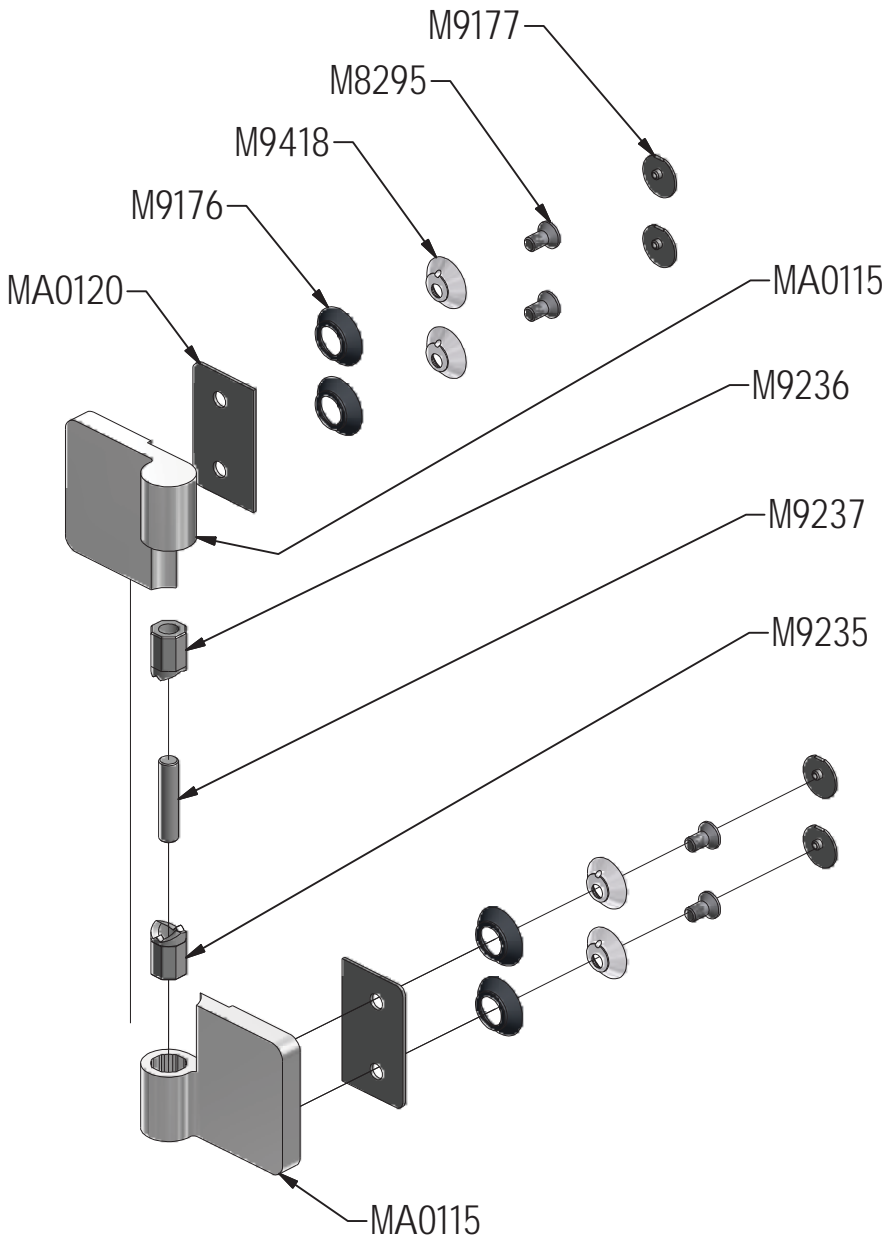
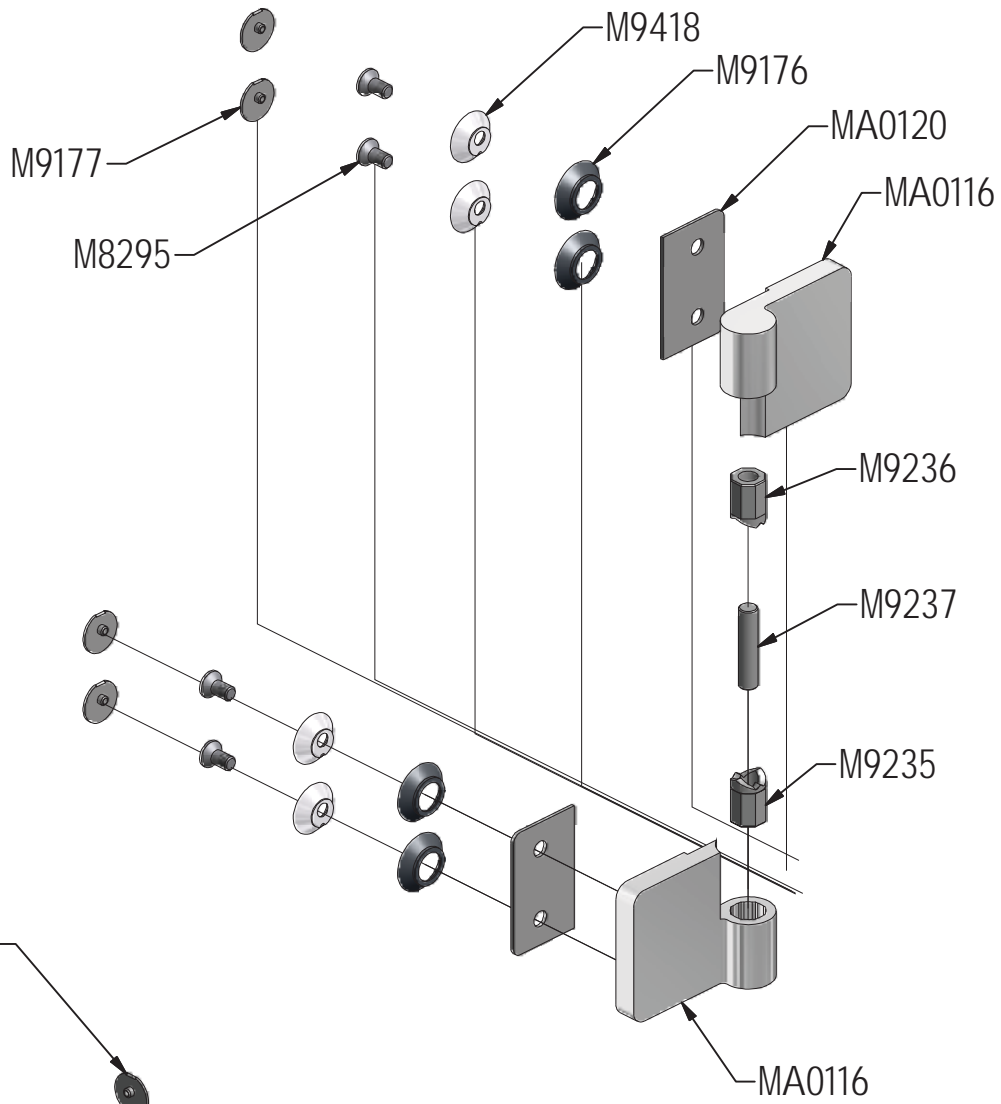




TZNP1



ND01-2803



ND01-2804

V110	800;900	clear glass	čiré sklo	ND02-0652-00-02
	1000;1100			ND02-0653-00-02
	1200			ND02-0654-00-02
V180	800	brillant+clear glass	brillant+čiré sklo	ND02-0751-00-02
	900;1000			ND02-0752-00-02
	1100;1200			ND02-0753-00-02
P126	800			ND01-2805-8
	900			ND01-2805-9
	1000			ND01-2805-1
	1100			ND01-2805-11
	1200			ND01-2805-12
P239		brillant		P3361
		stříbro		P3927