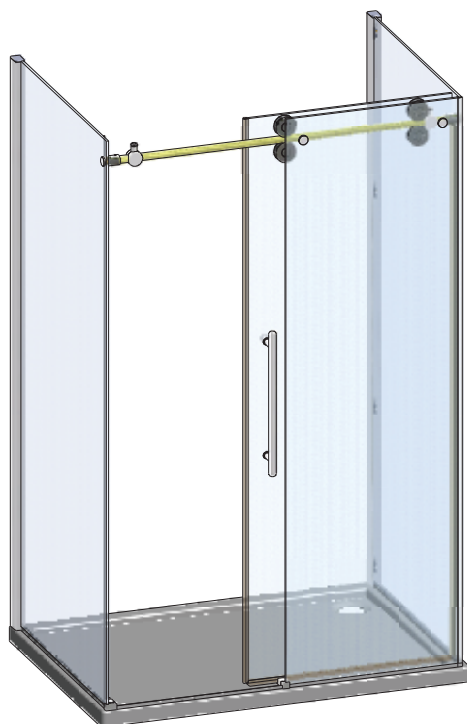
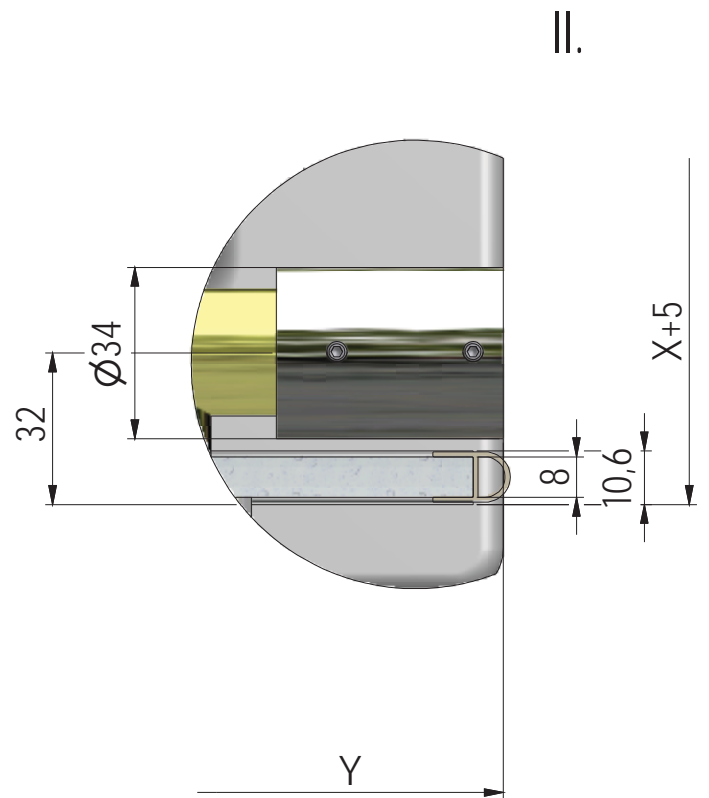
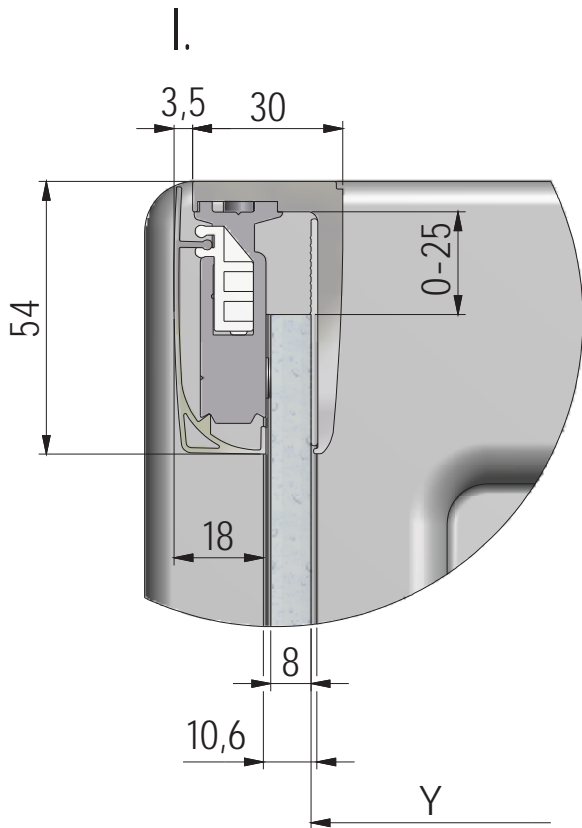
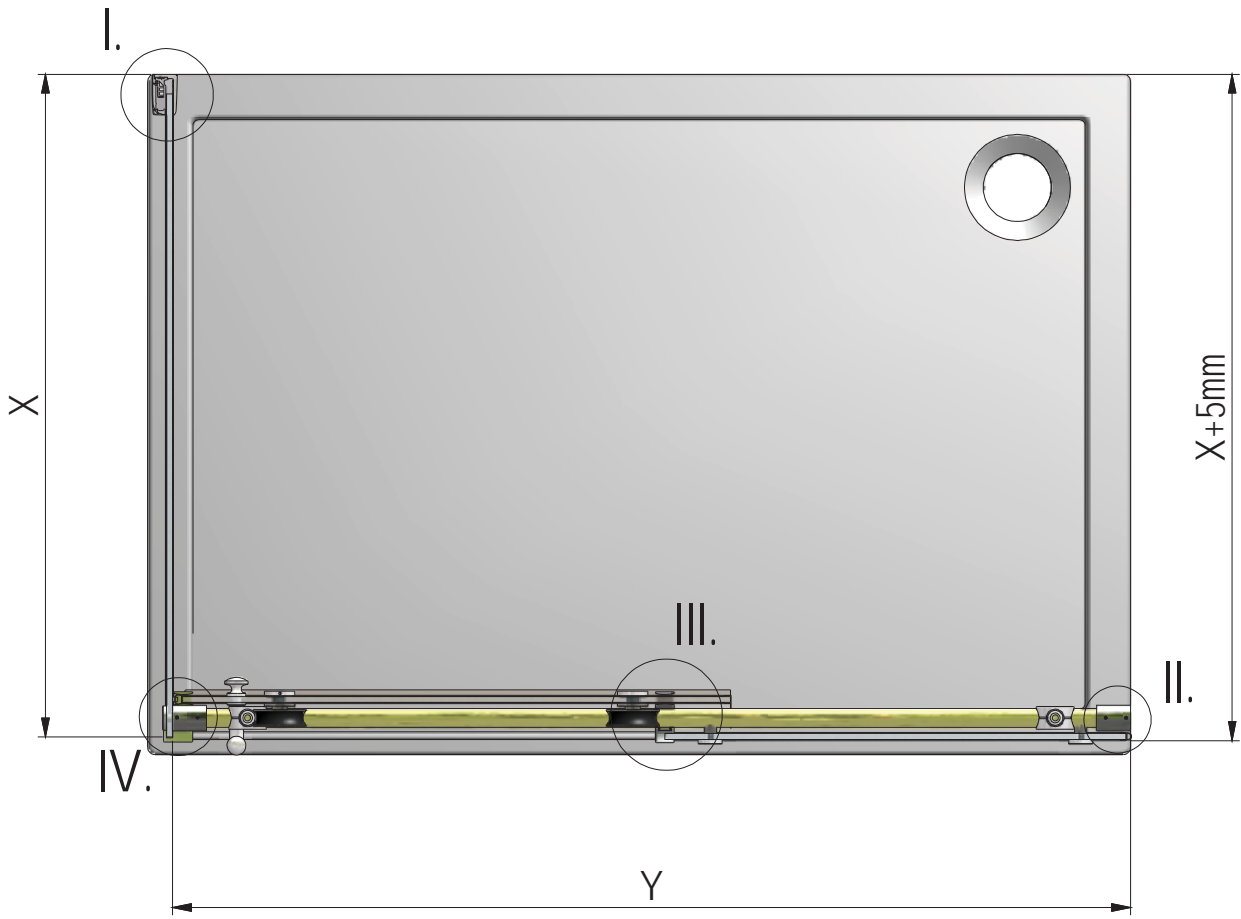


KIB + KID2

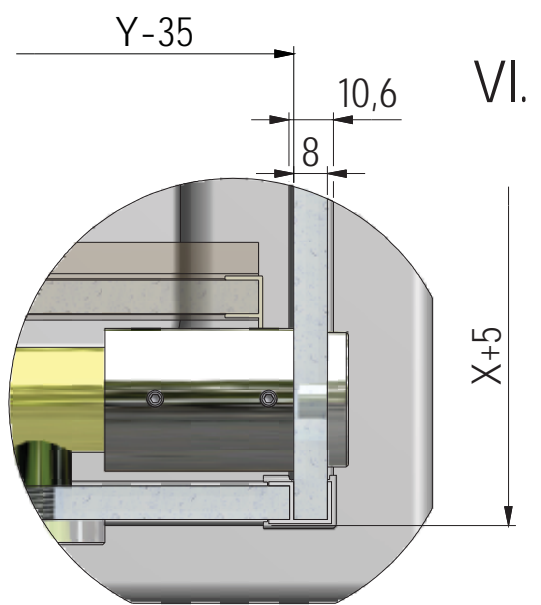
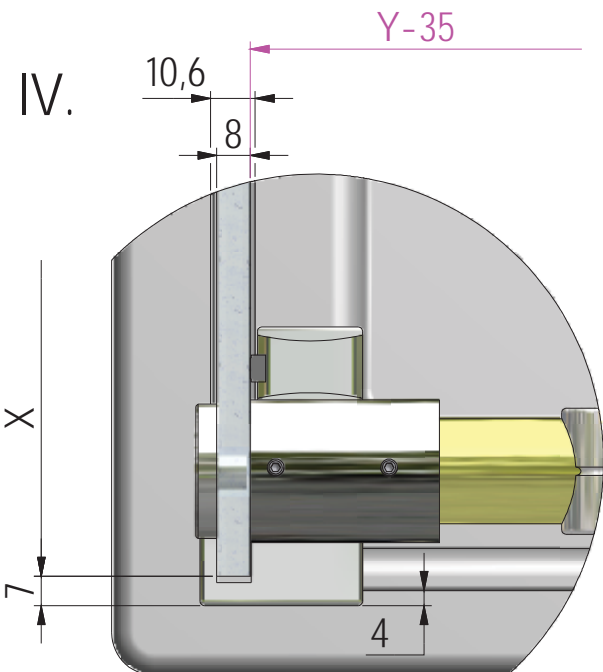
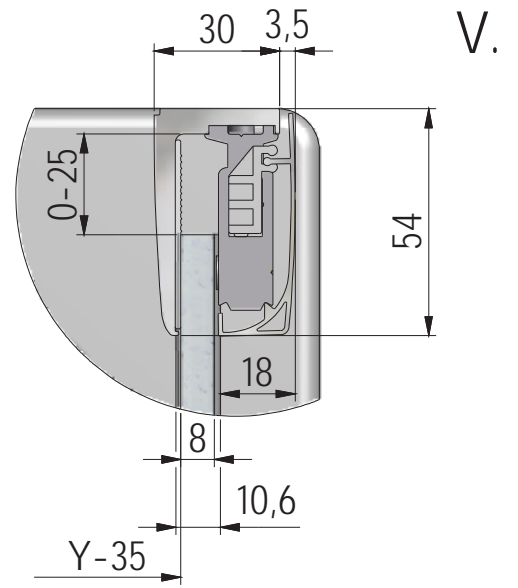
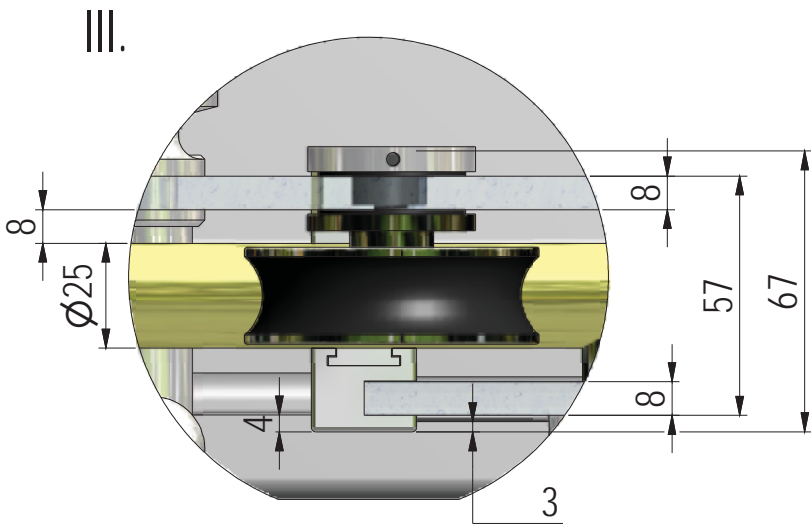
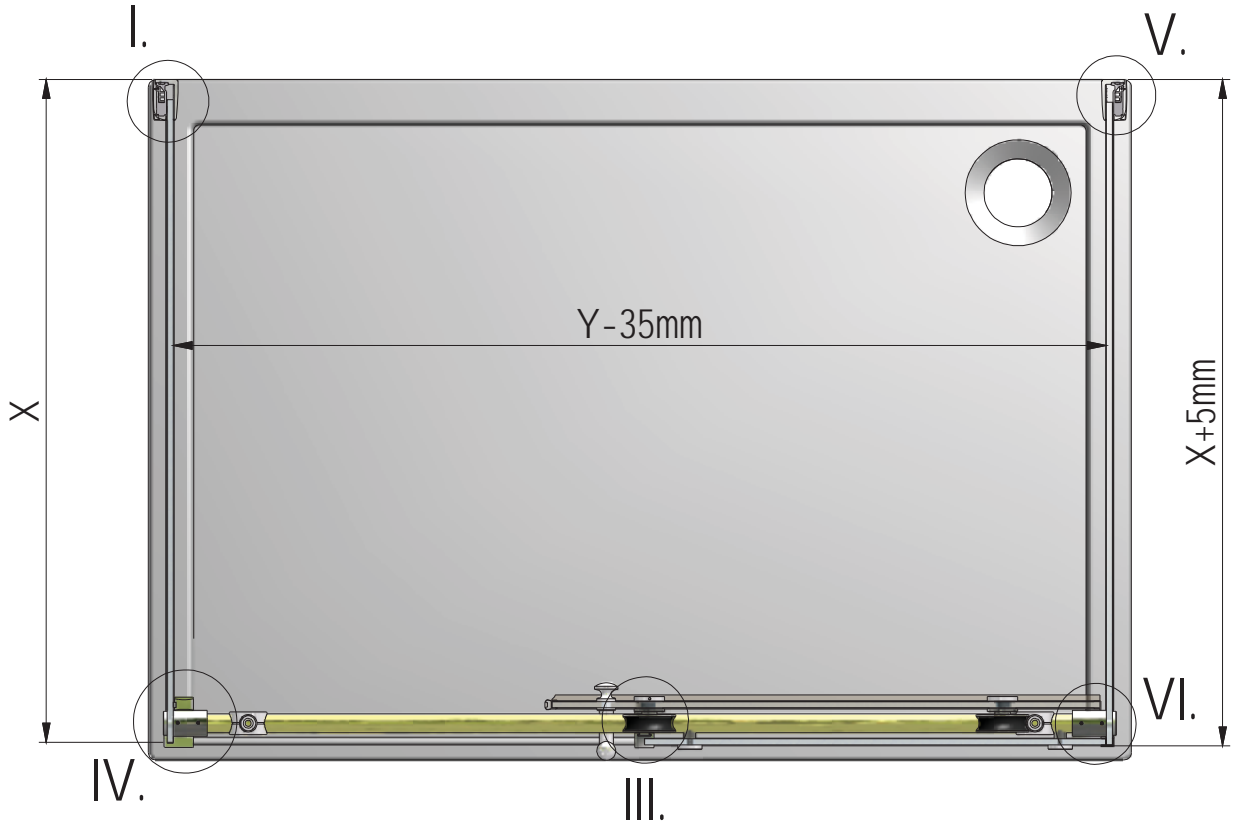


KIB + KID2 + KIB

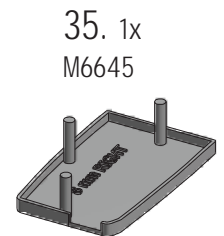
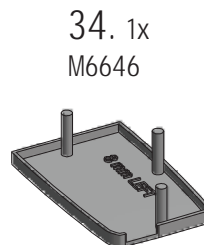
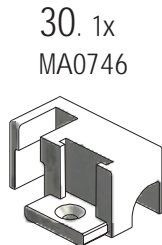
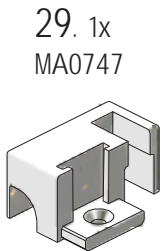
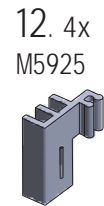
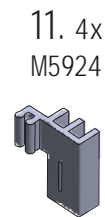
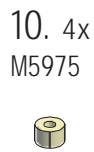
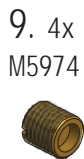
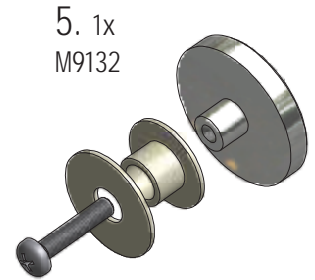
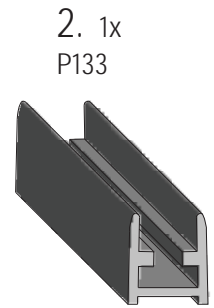
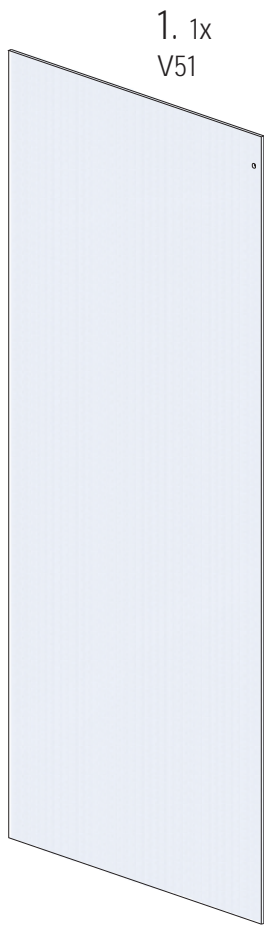




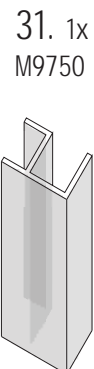
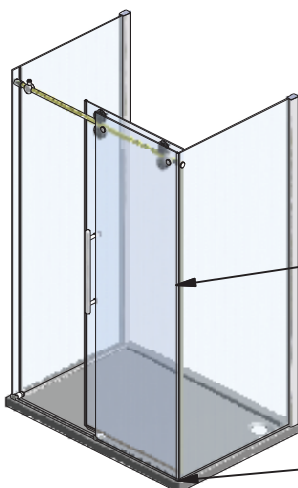
KIB + KID2 + KIB

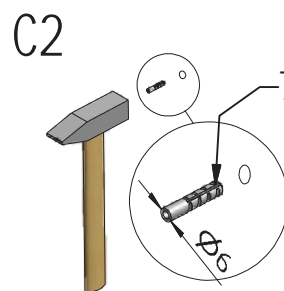
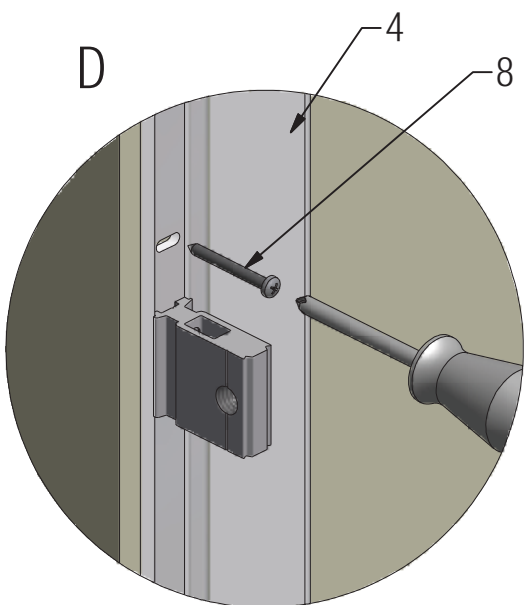
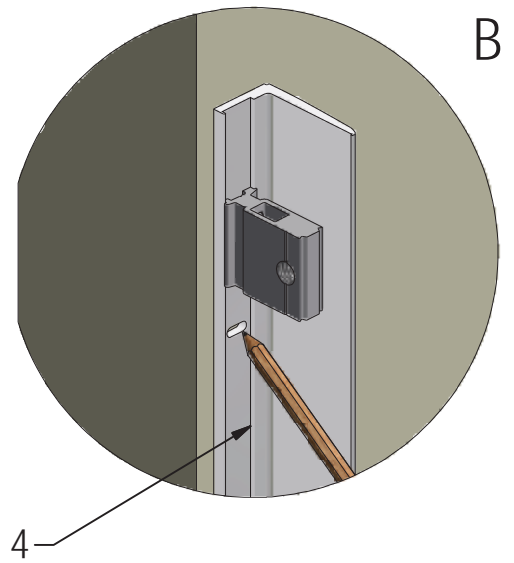
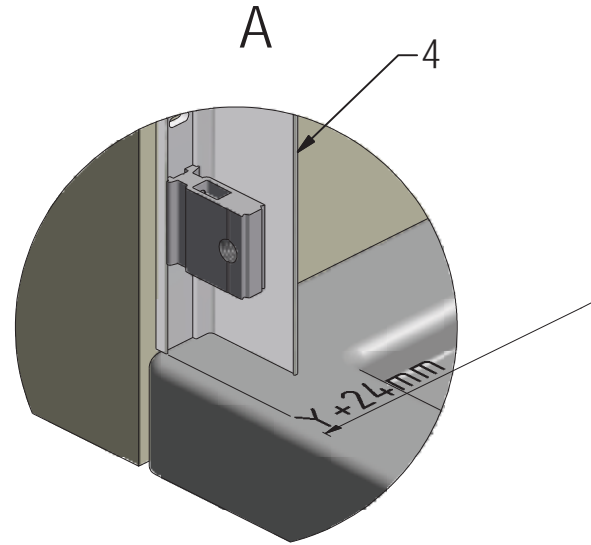
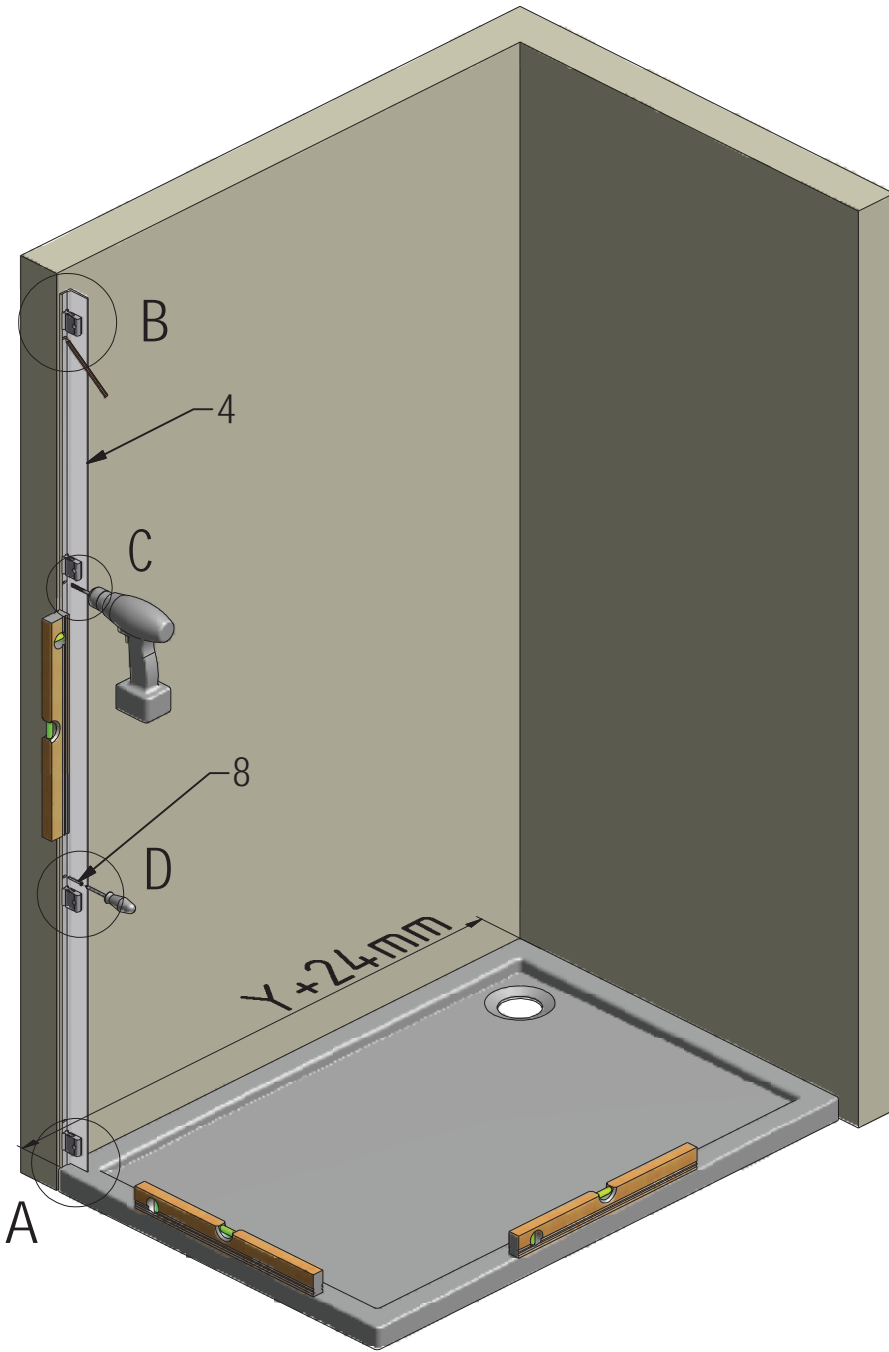
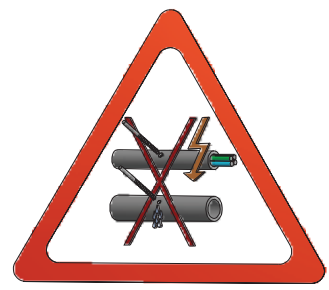


	KID2		KIB	
	Y (mm)		X (mm)	
	MIN	MAX	MIN	MAX
900	-	-	855	880
1000	-	-	955	980
1300	1150	1310	-	-
1500	1300	1510	-	-
1800	1500	1810	-	-
2000	1800	2010	-	-

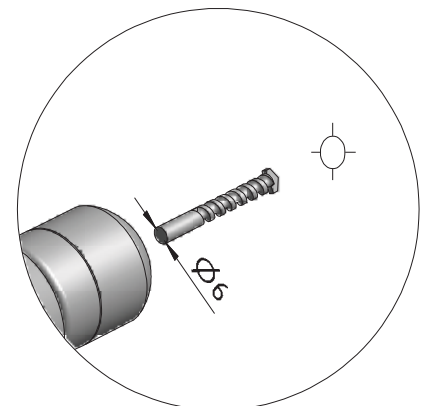


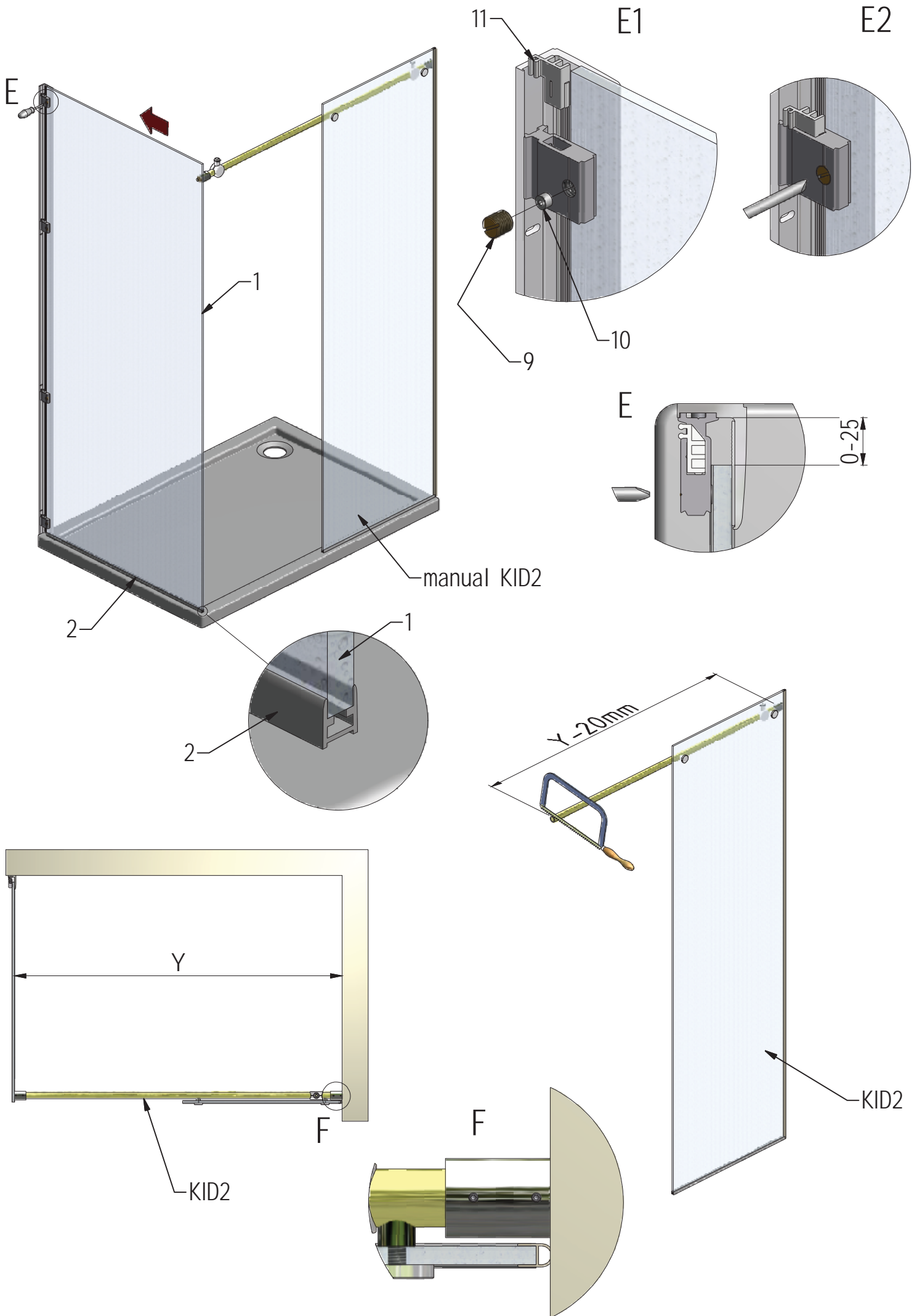
KIB + KID2 + KIB

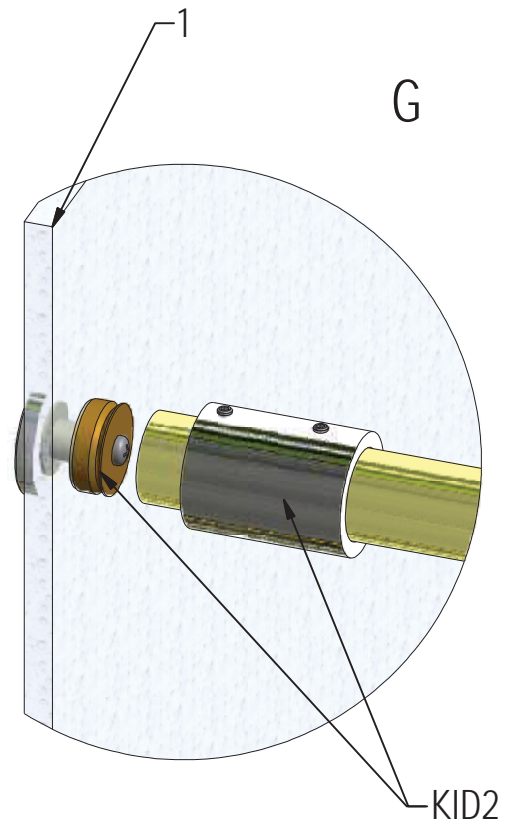
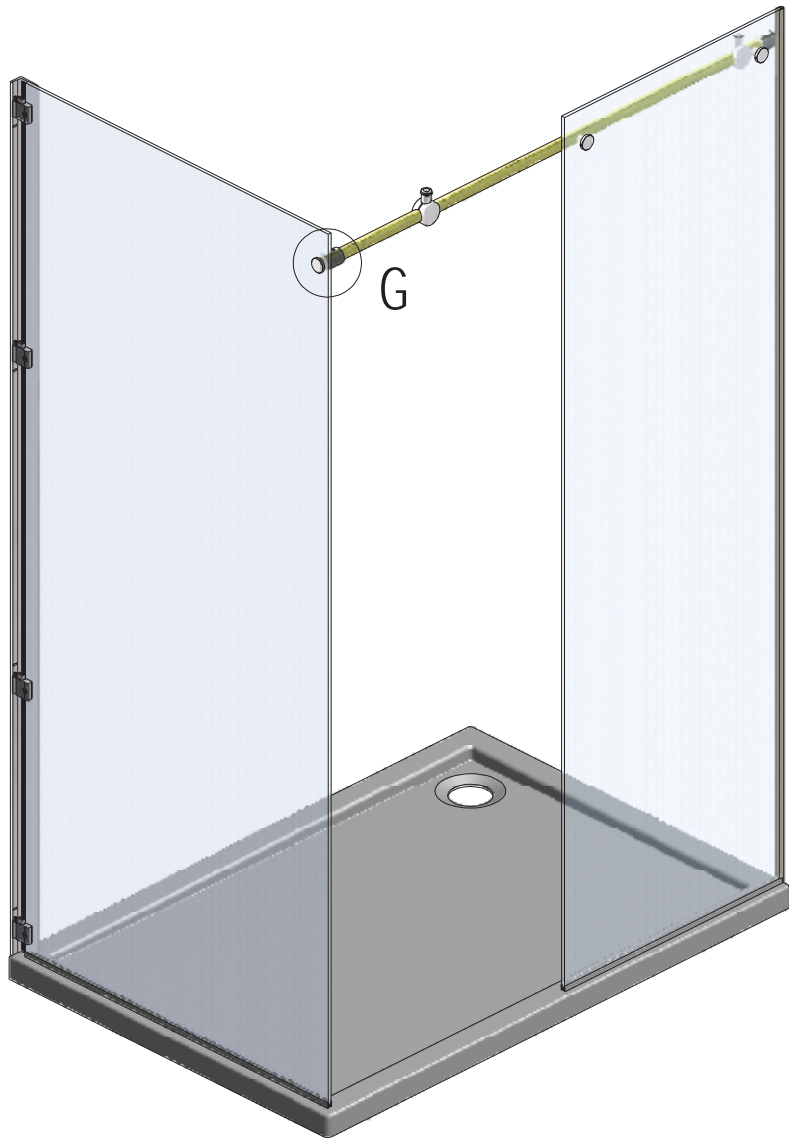




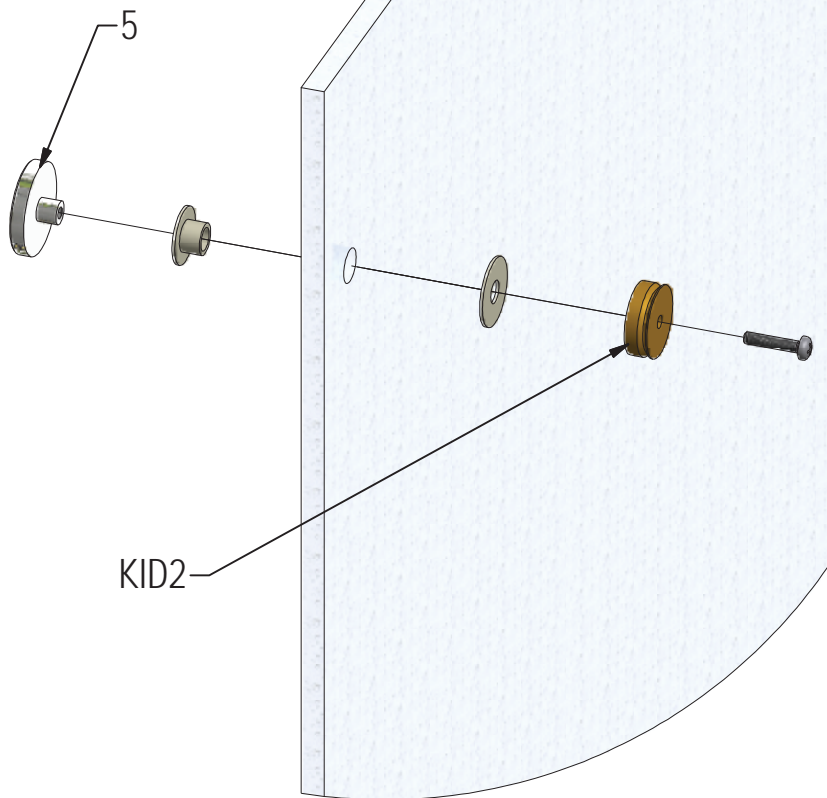
C1 4x



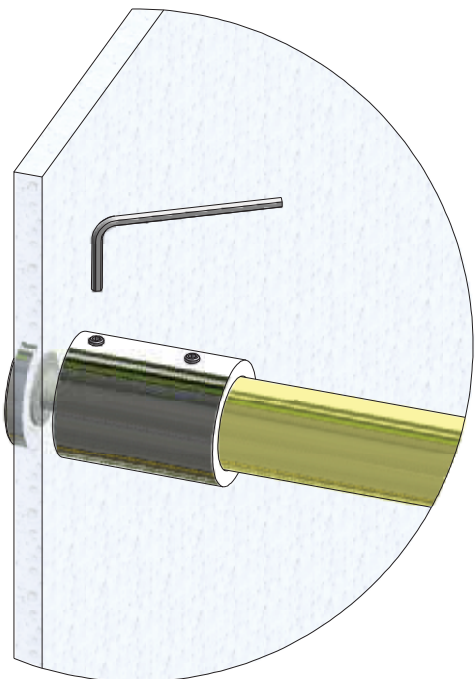


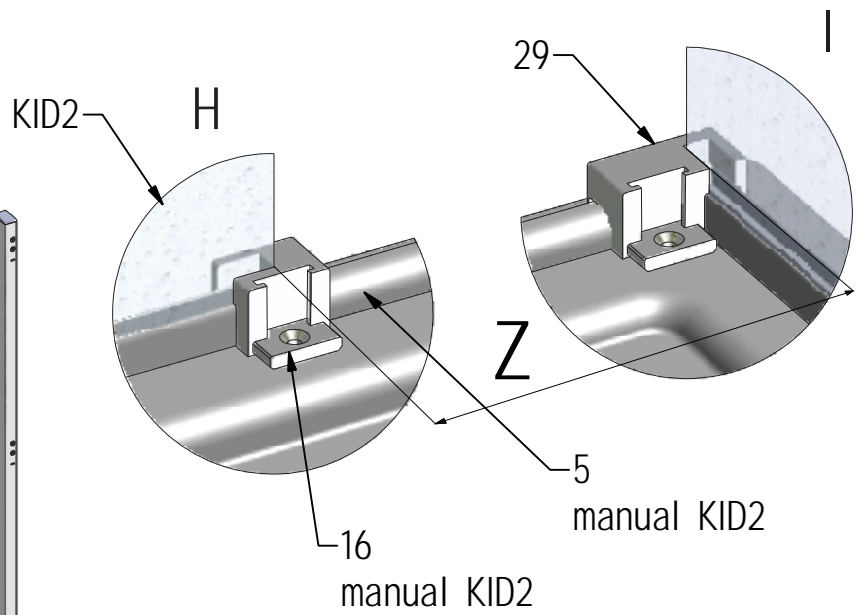
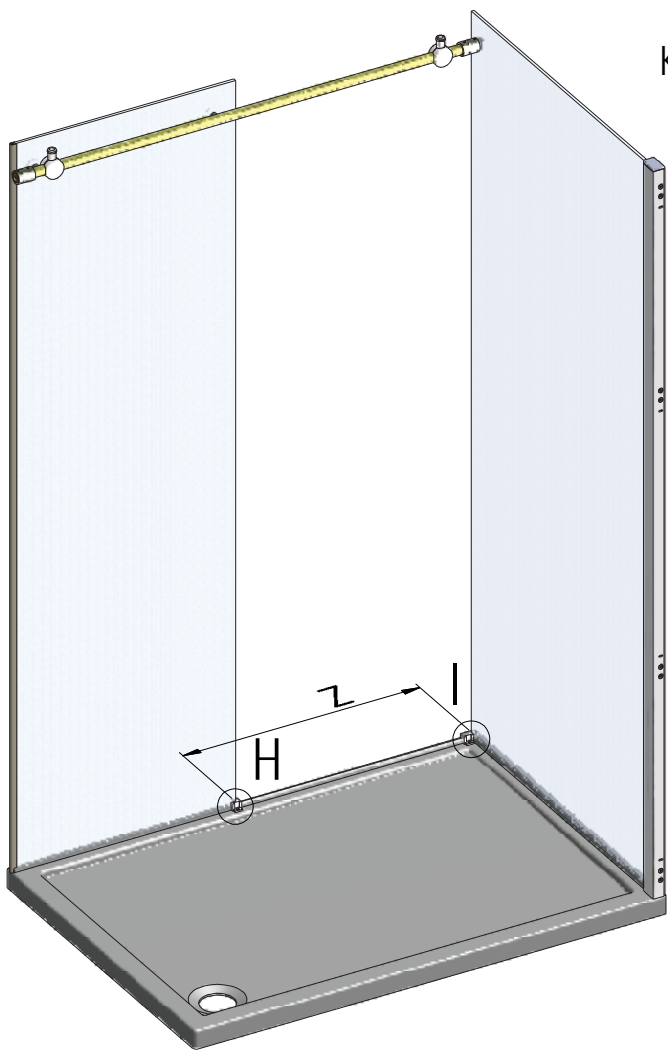


G1

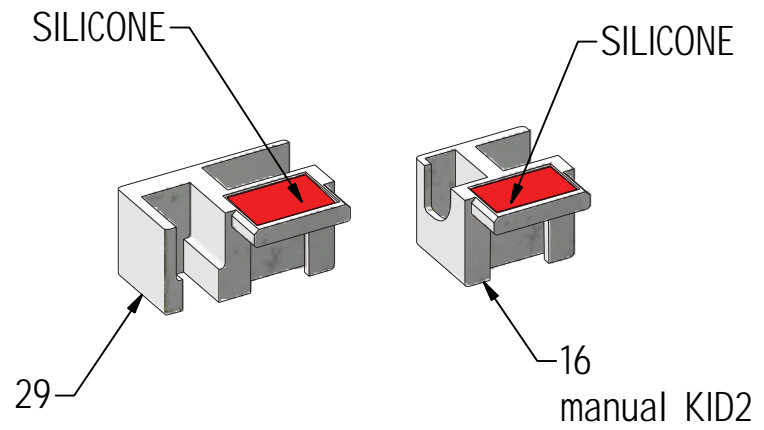


G2

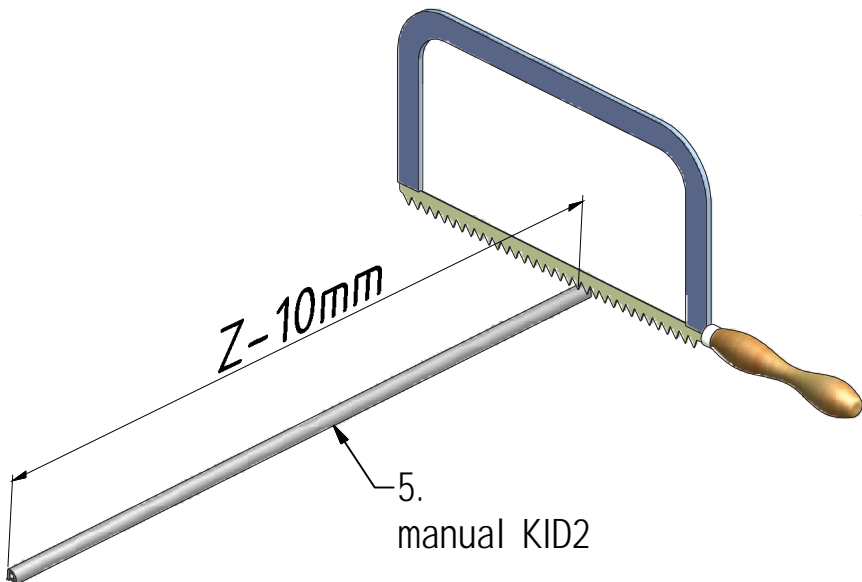
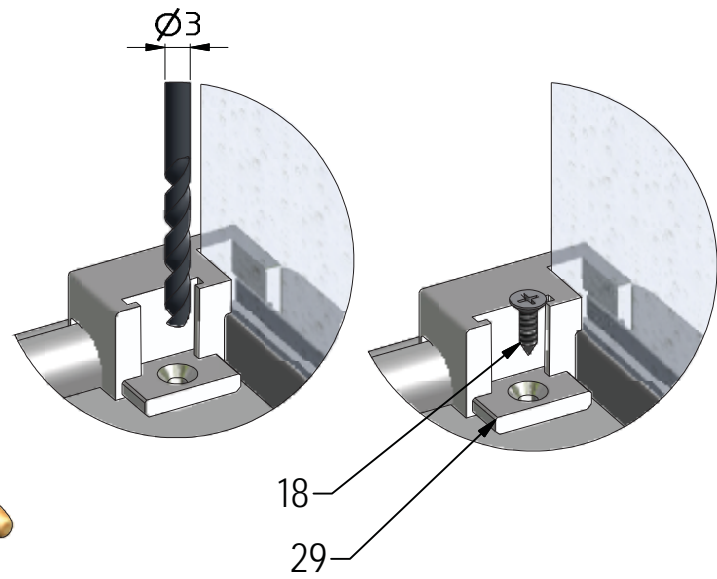


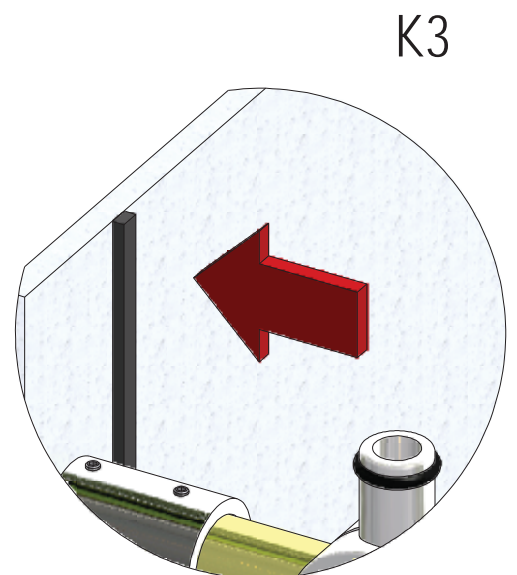
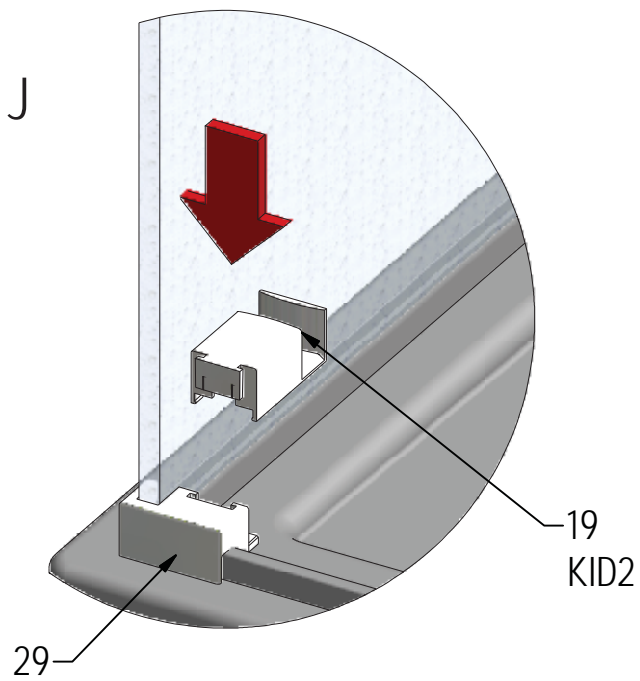
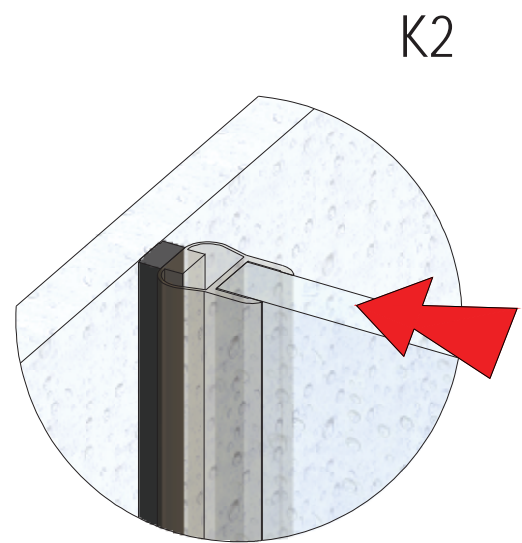
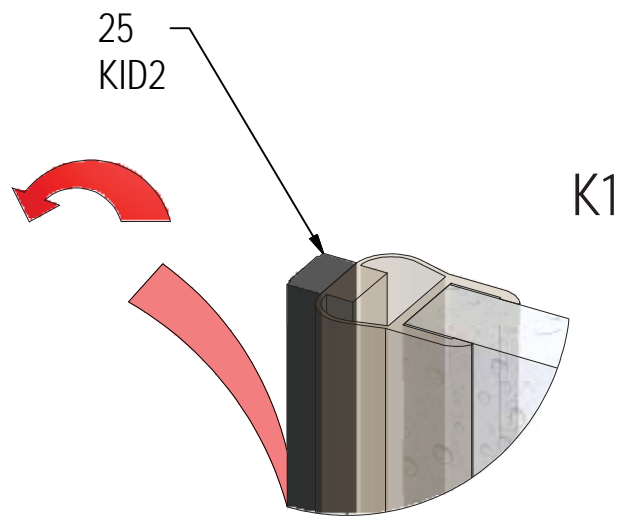
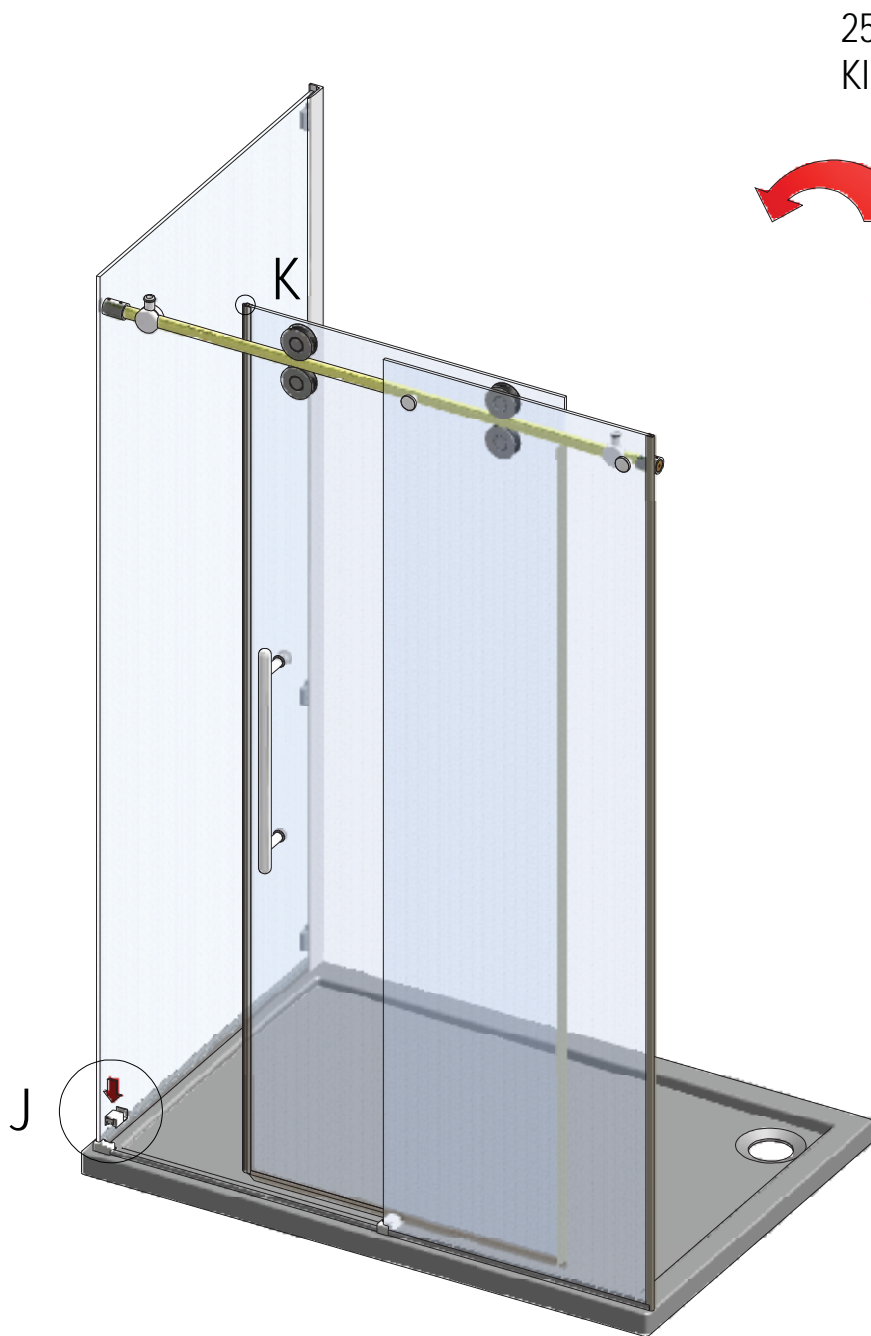


VARIANT A



VARIANT B







SILICON

L

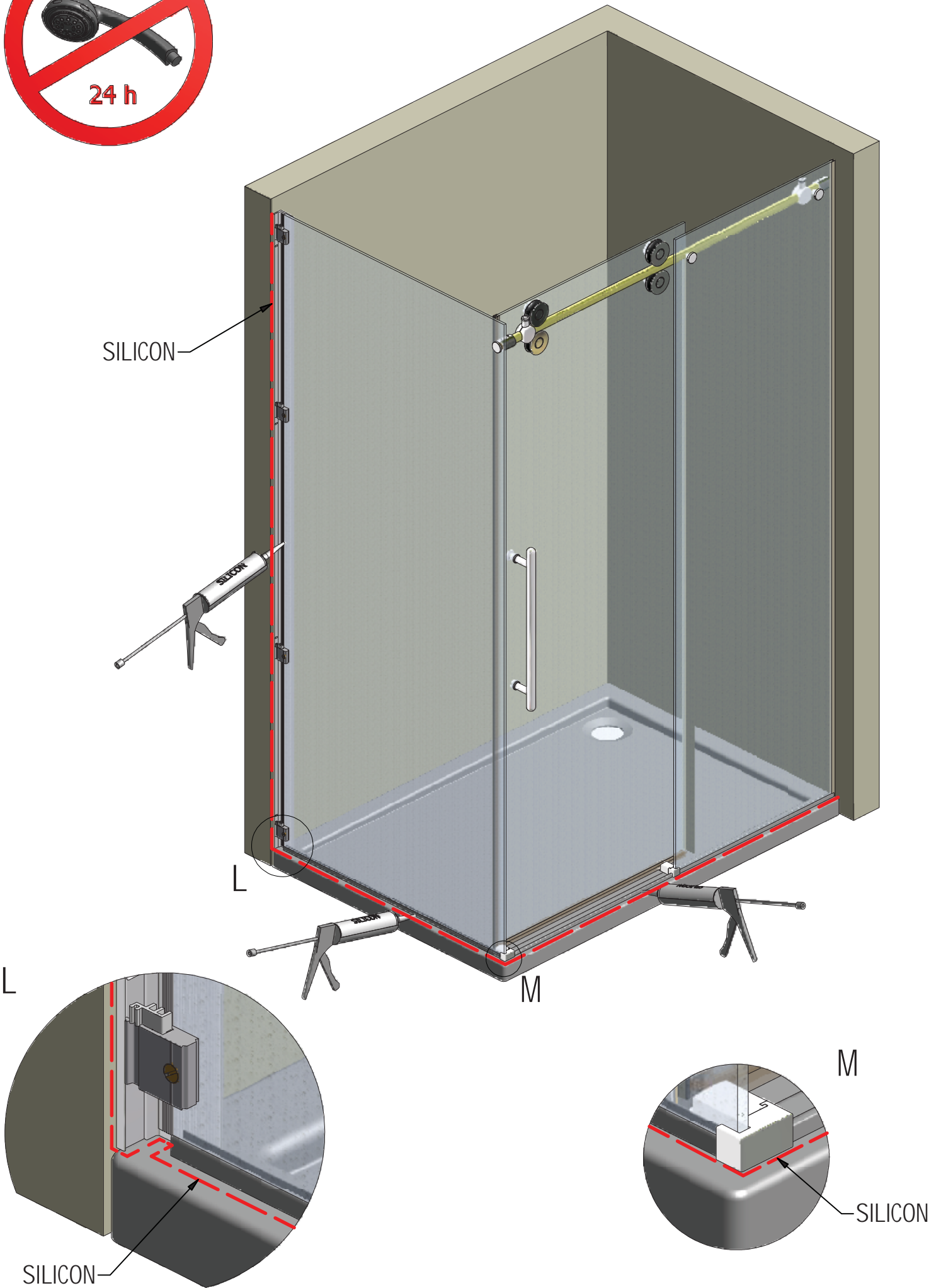
M

L

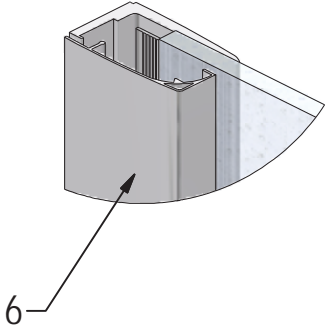
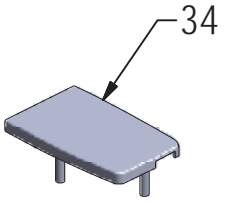
M

SILICON

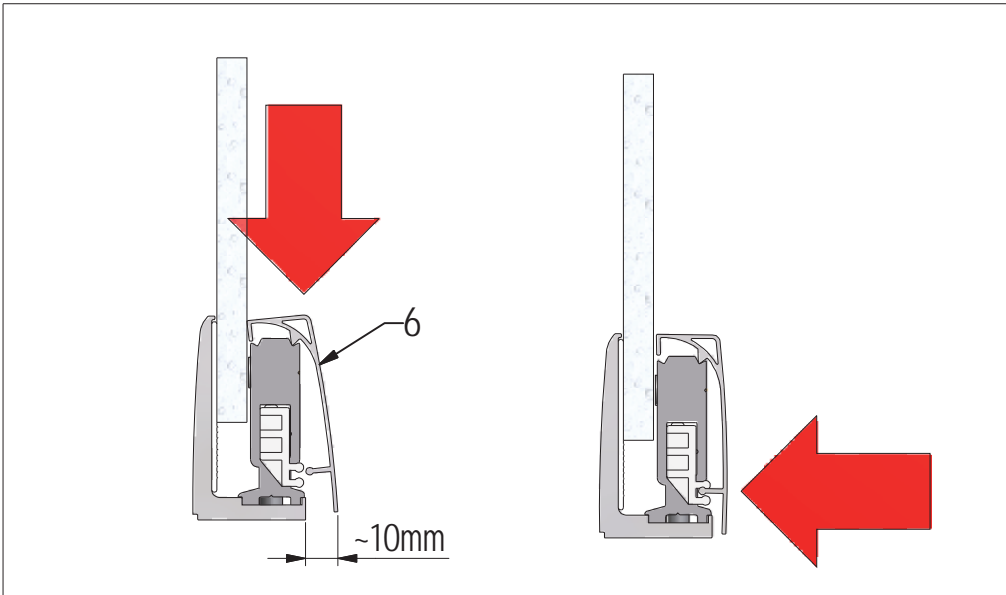
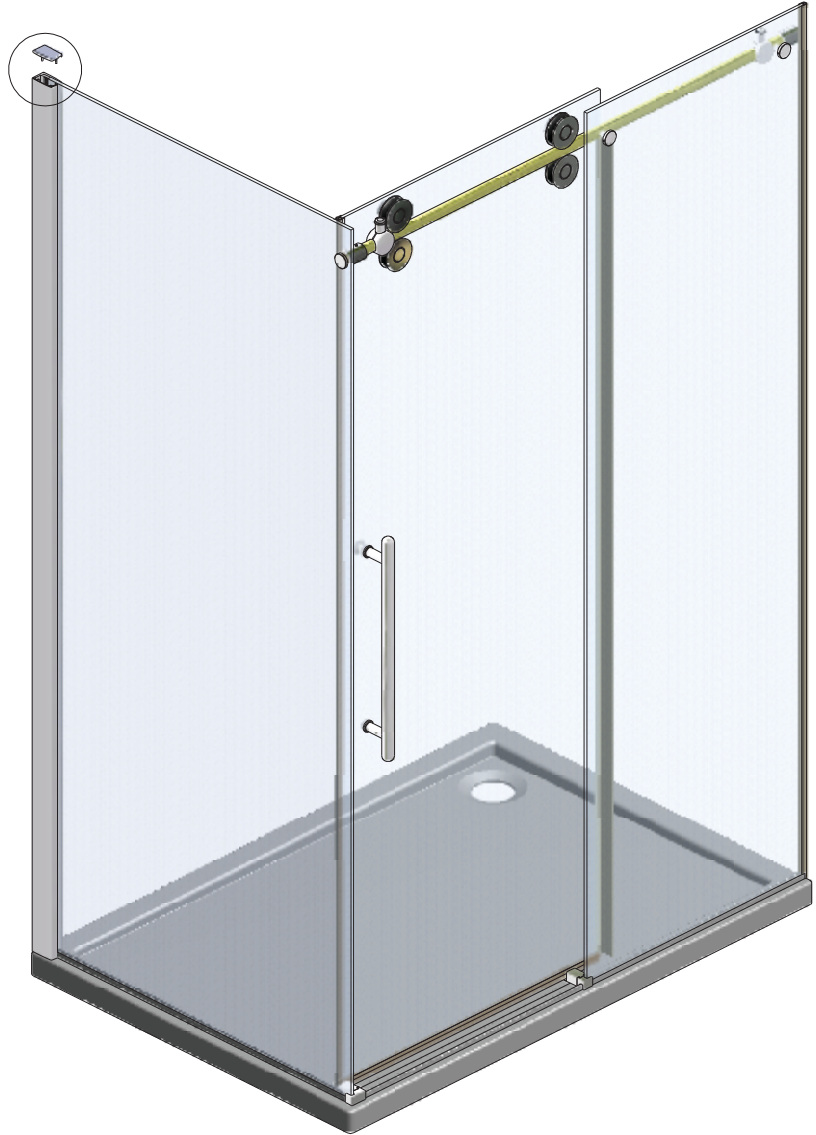
SILICON



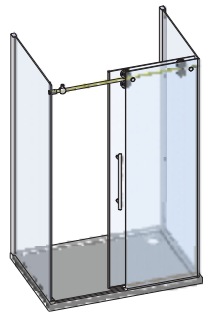
N



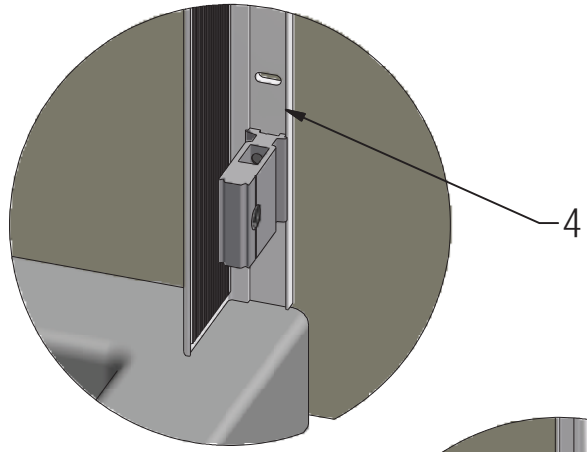
N



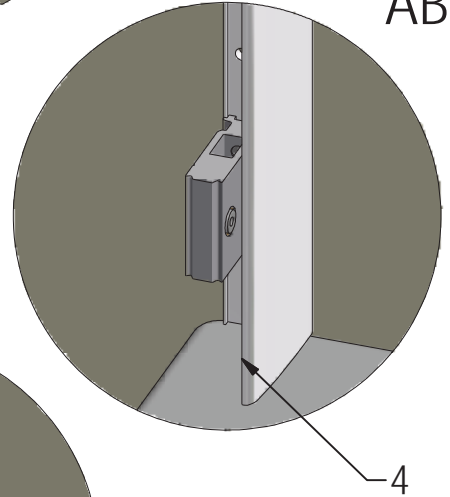
KIB + KID2 + KIB



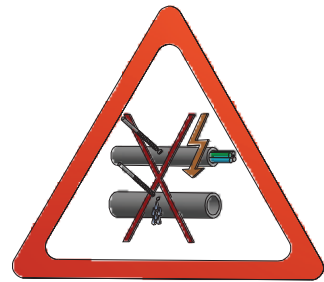
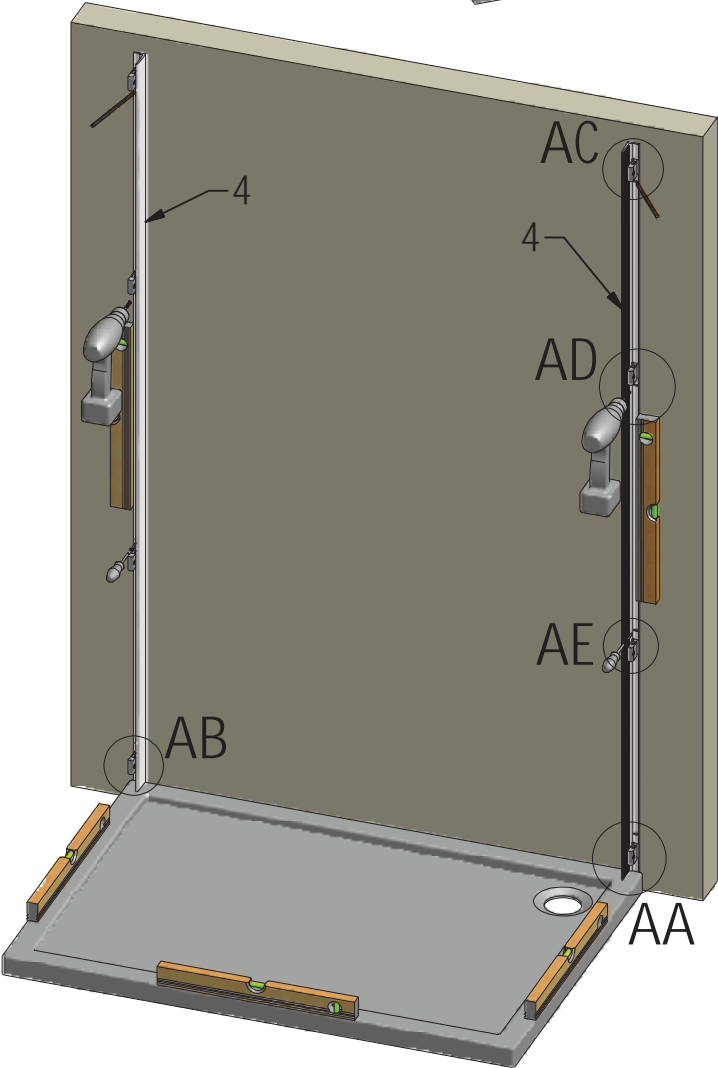
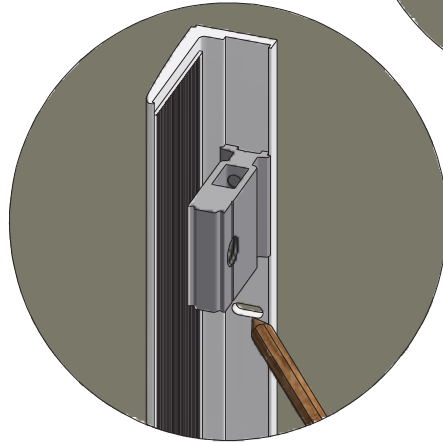
AA



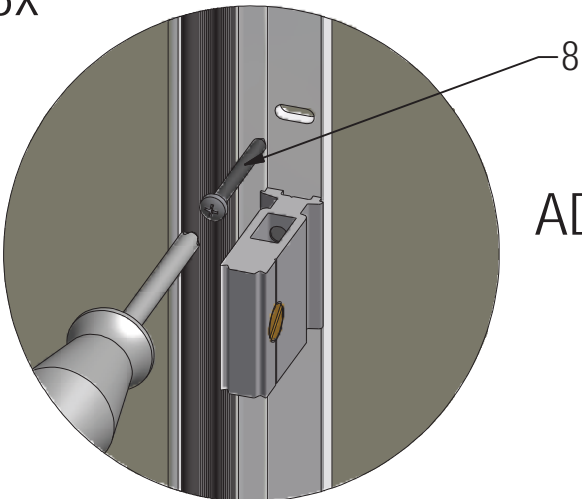
AB



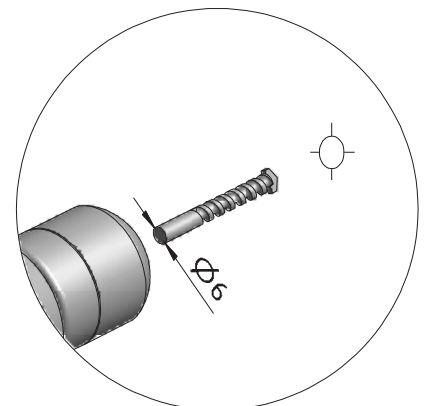
AC 8x



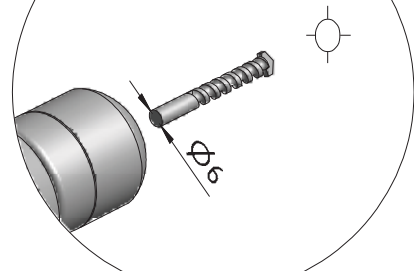
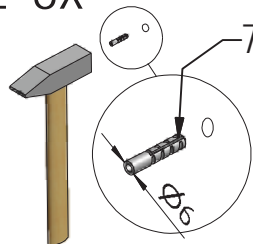
AE 8x

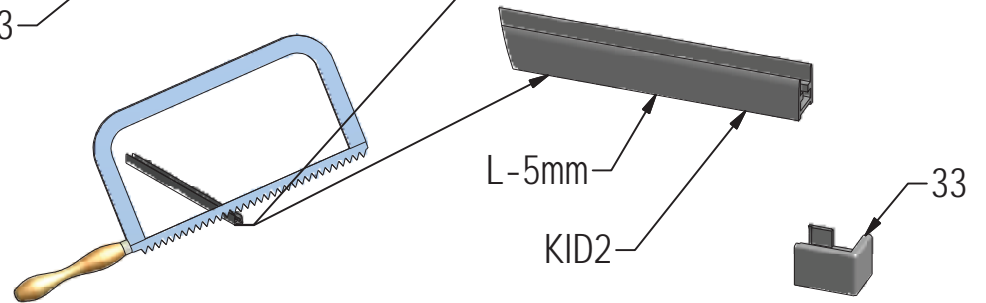
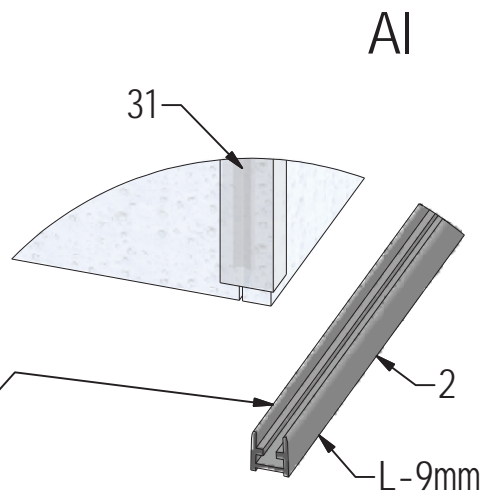
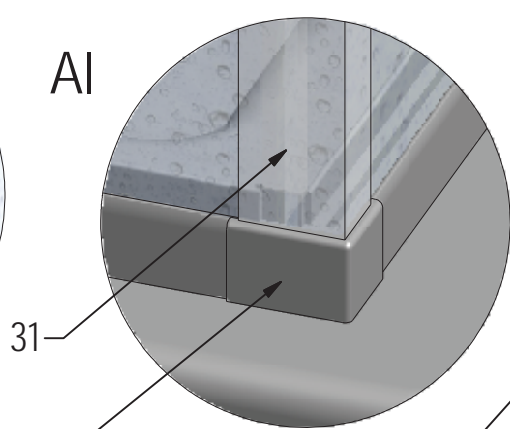
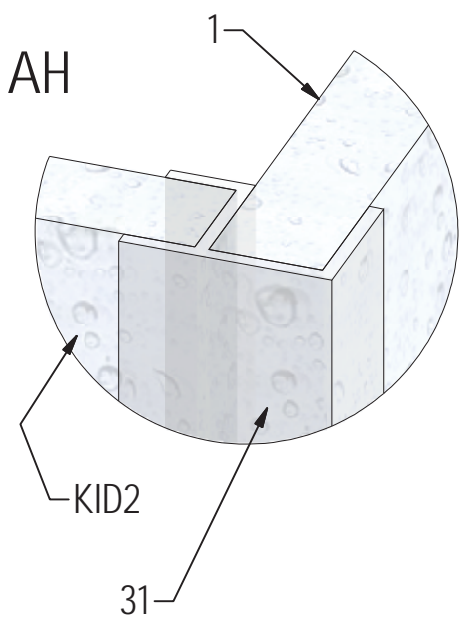
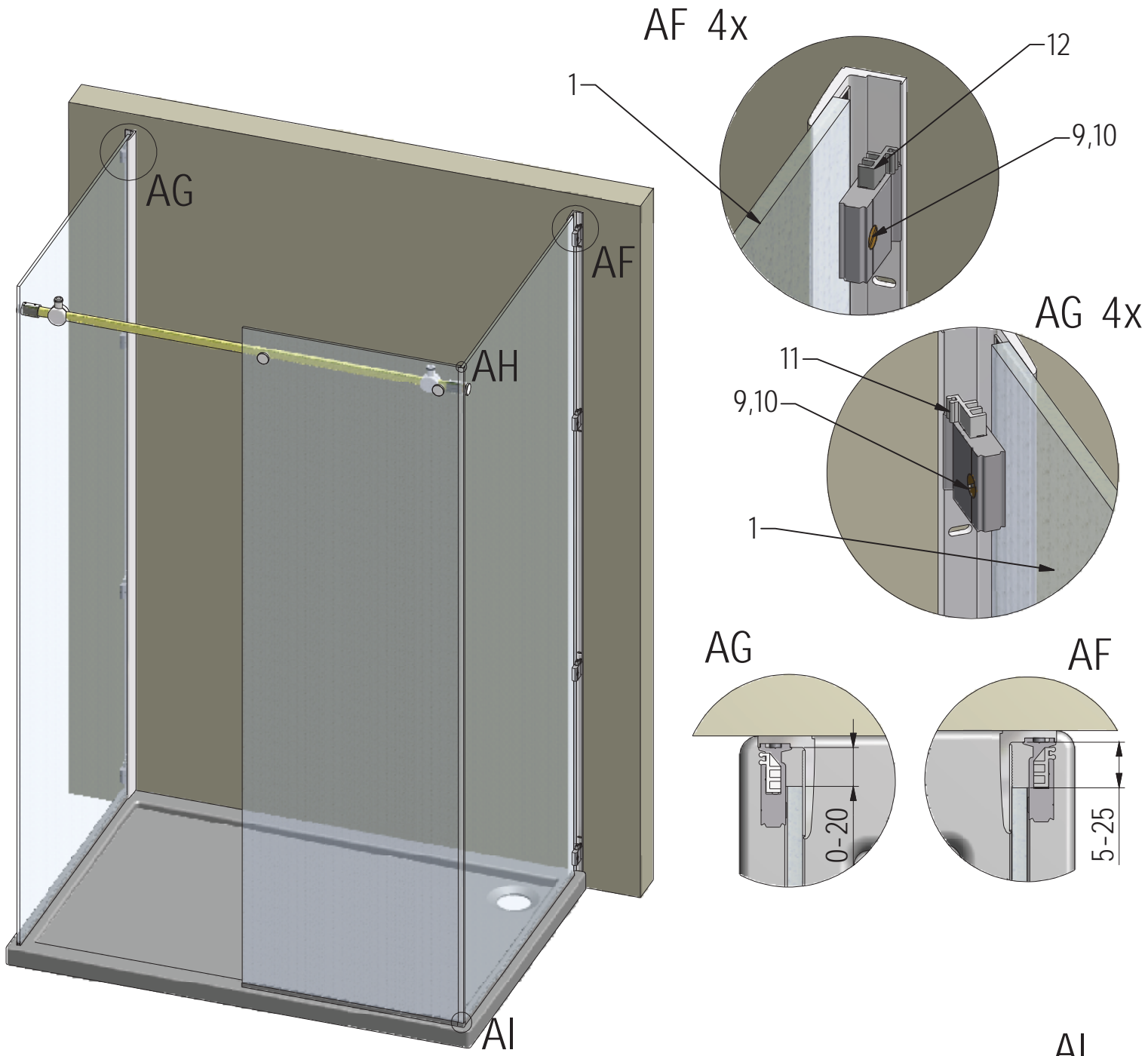


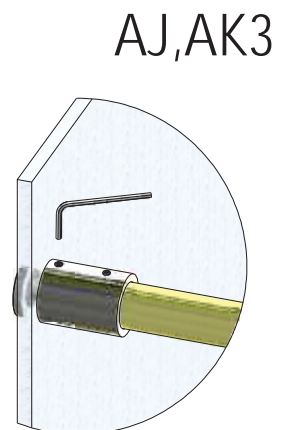
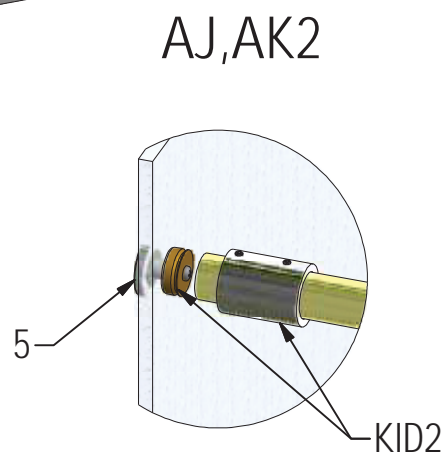
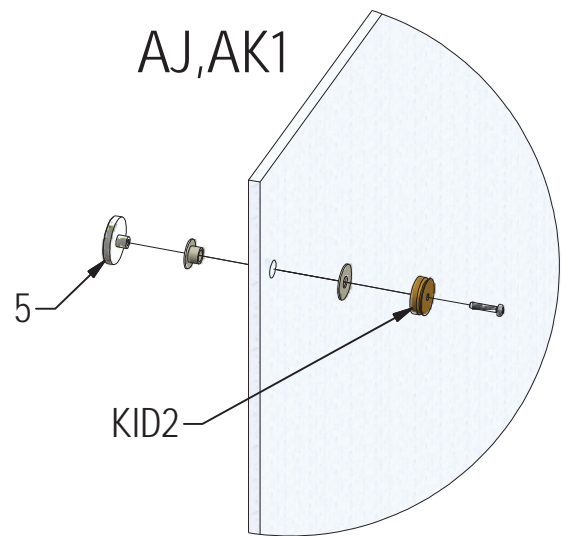
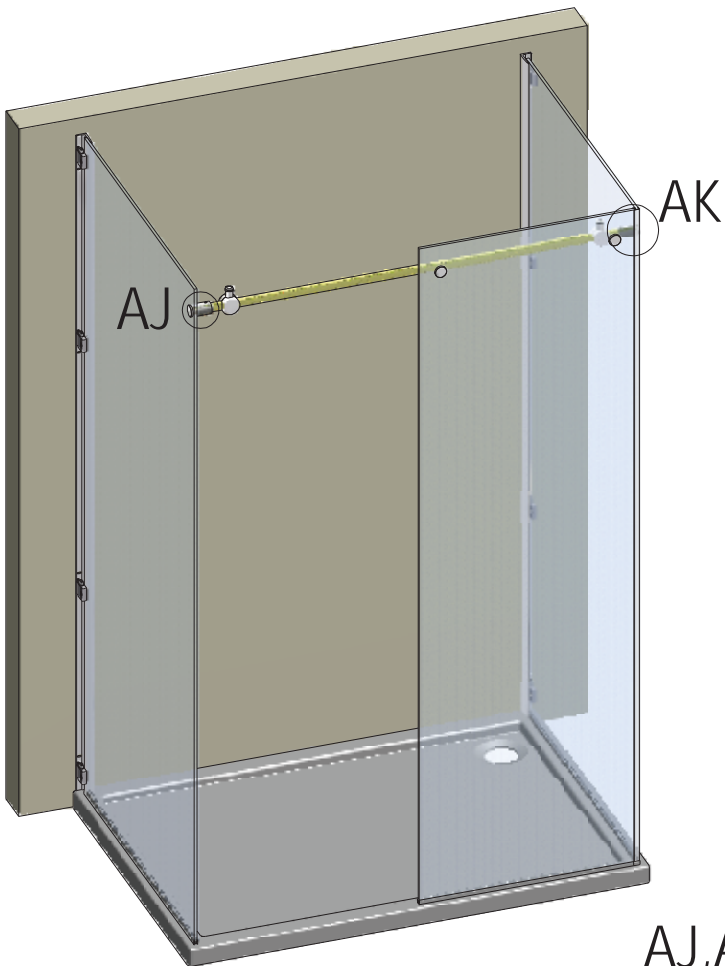
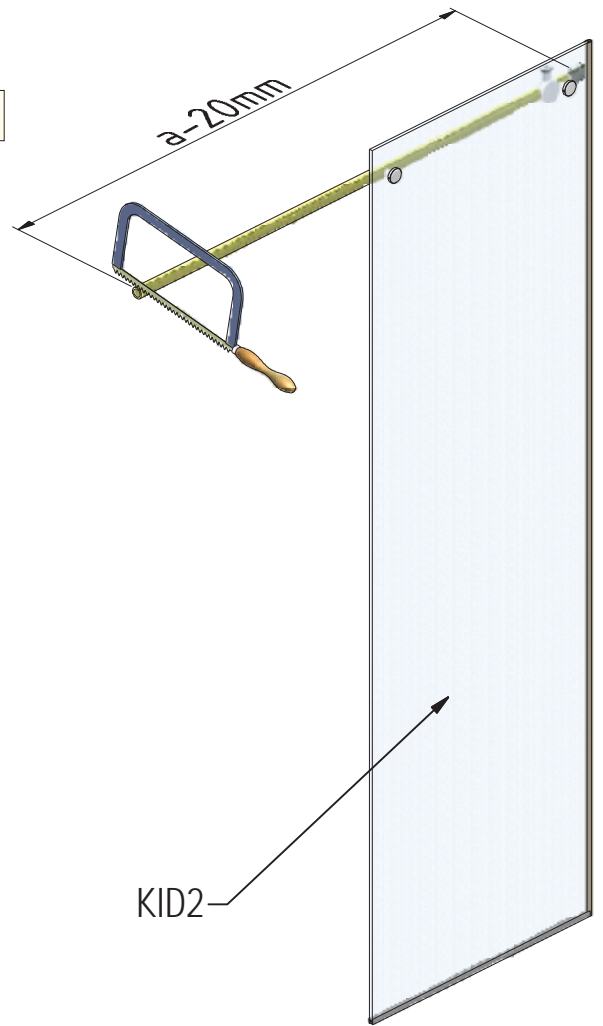
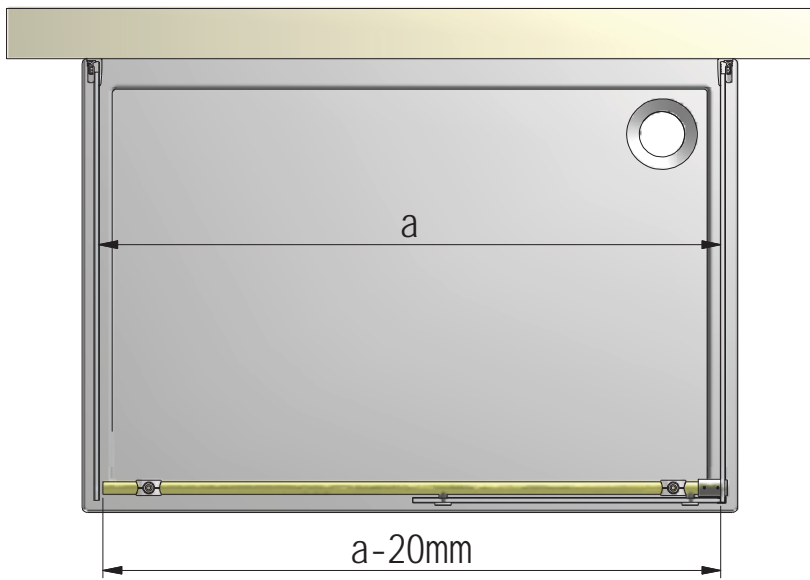
AD1 8x

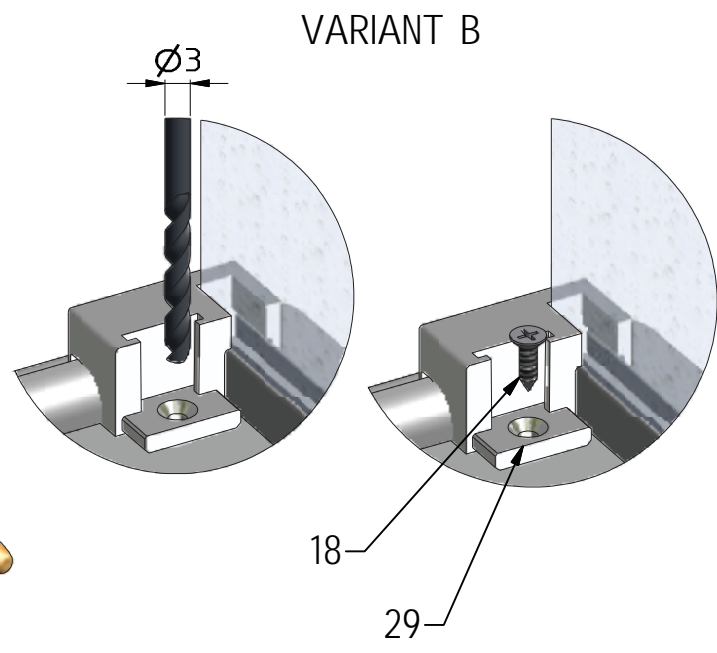
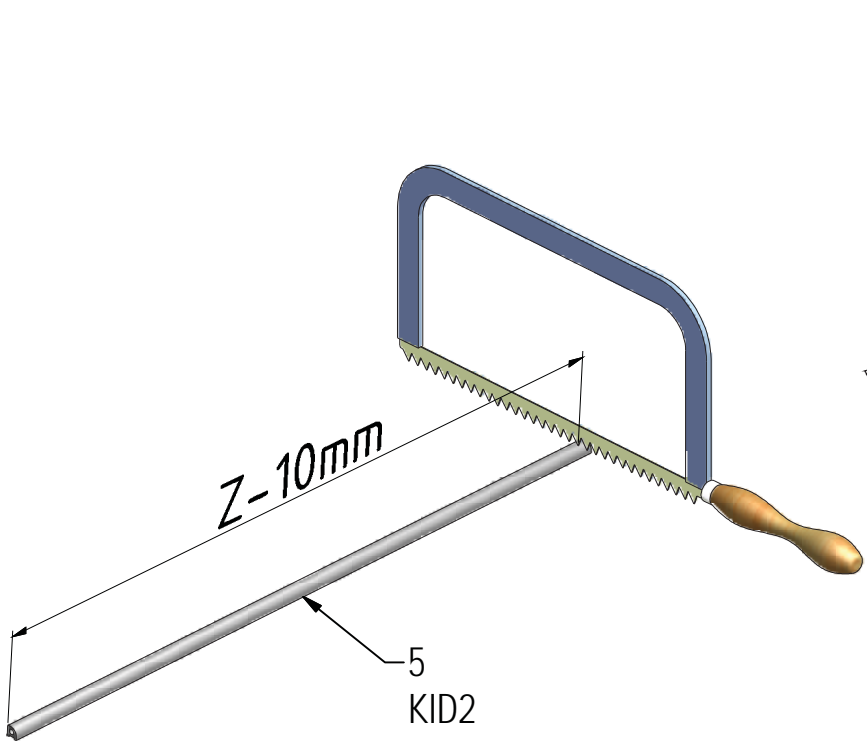
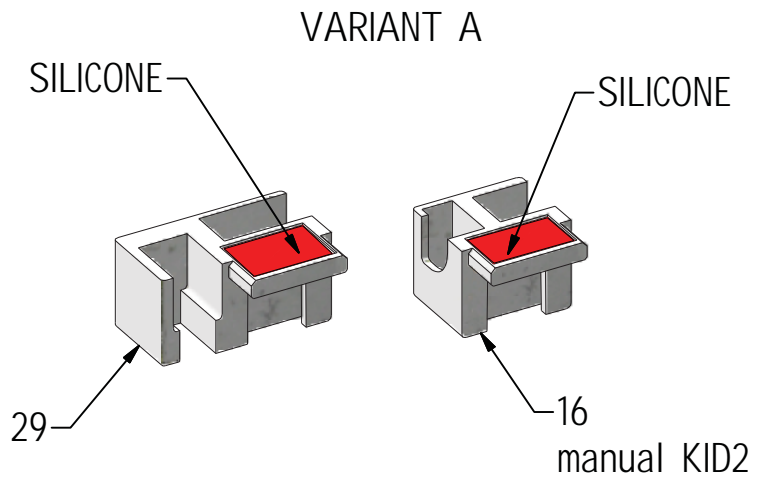
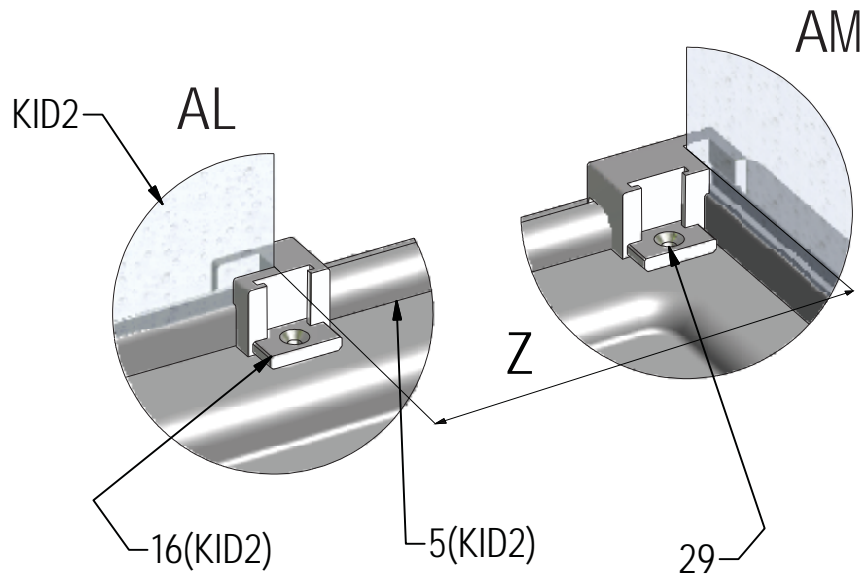
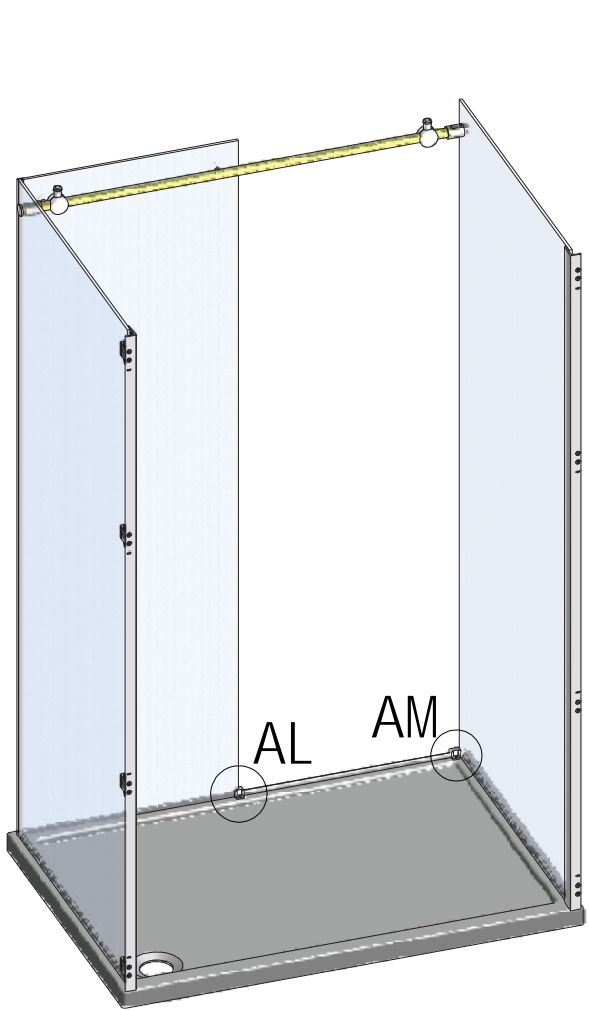


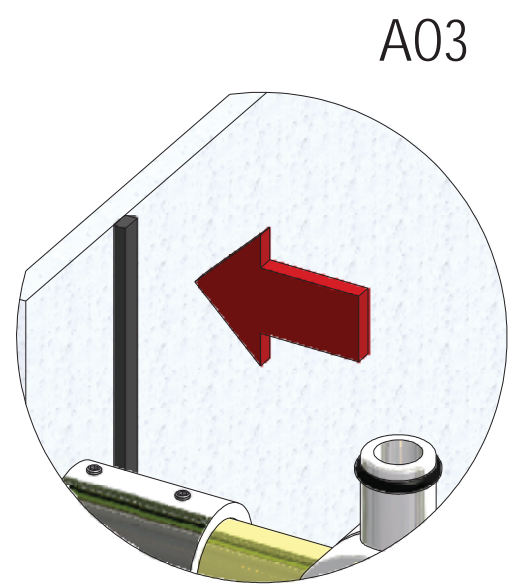
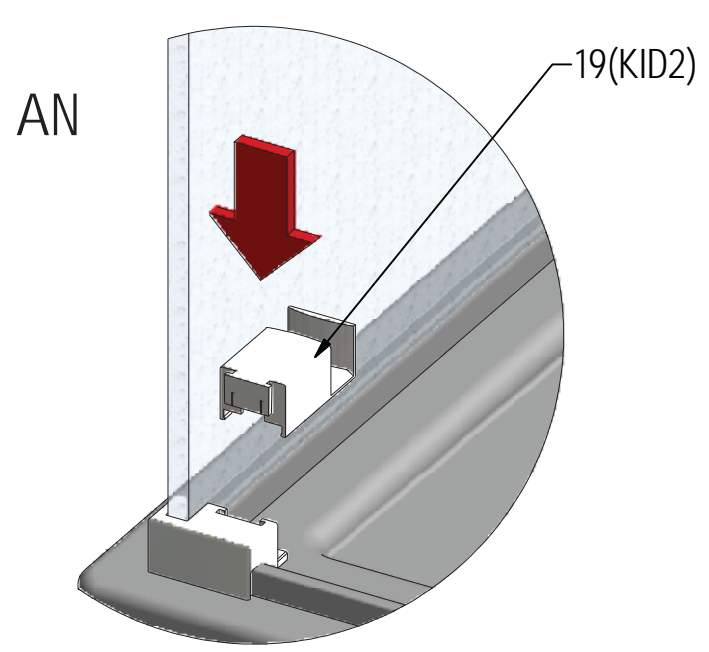
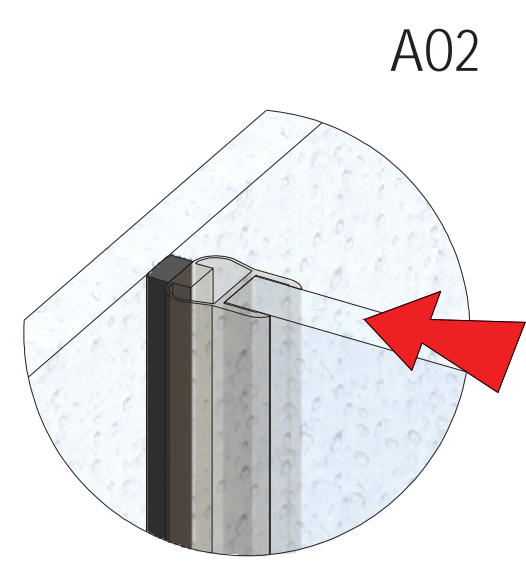
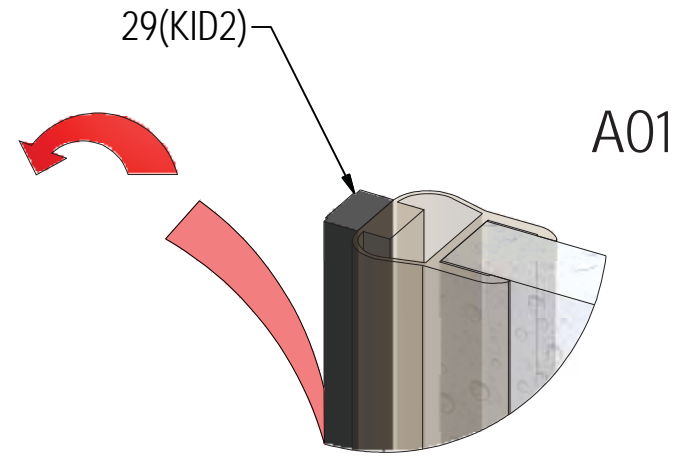
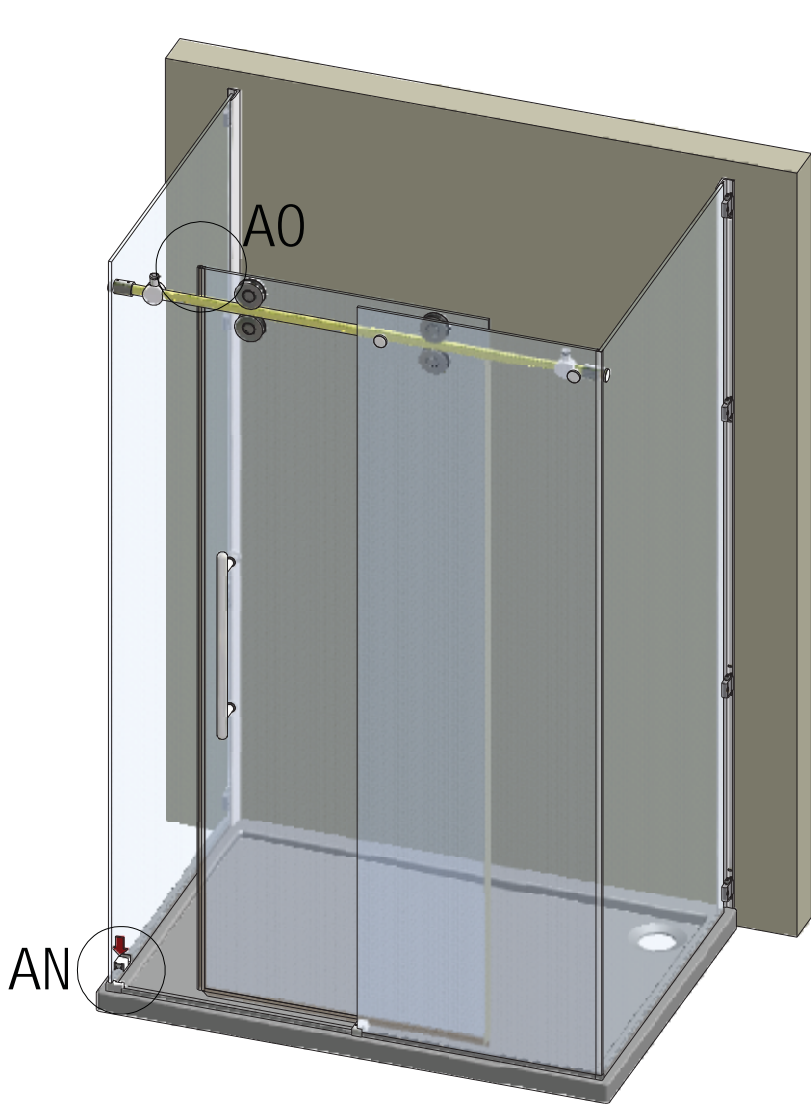
AD2 8x

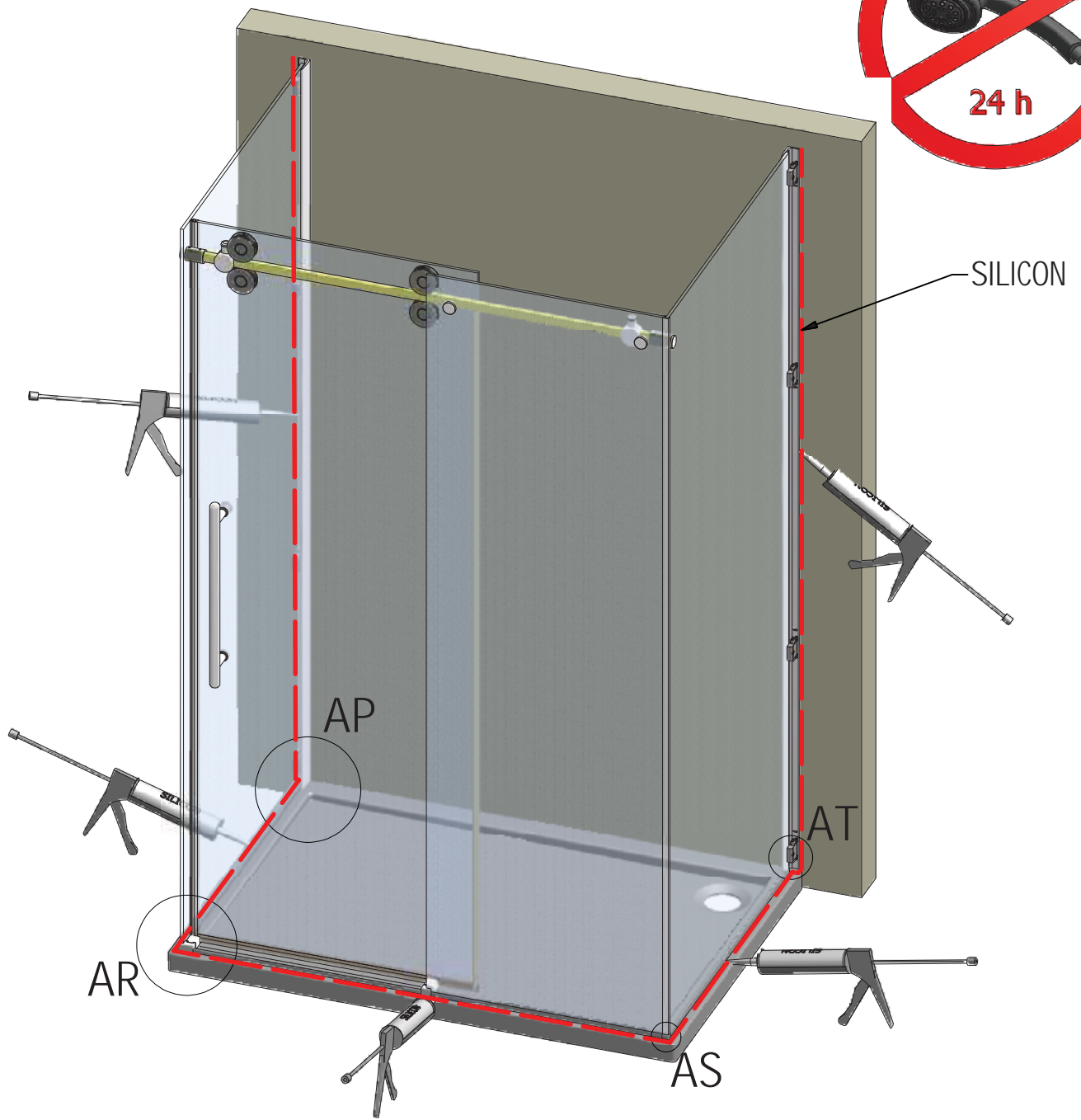




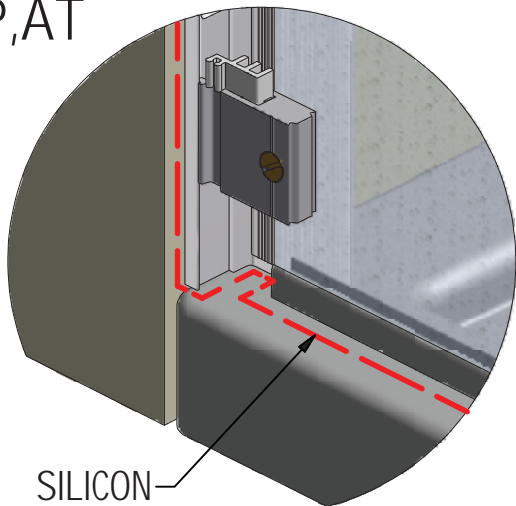






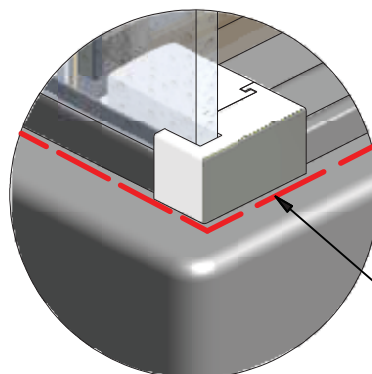


AP,AT



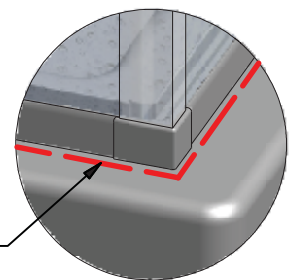
SILICON

AR

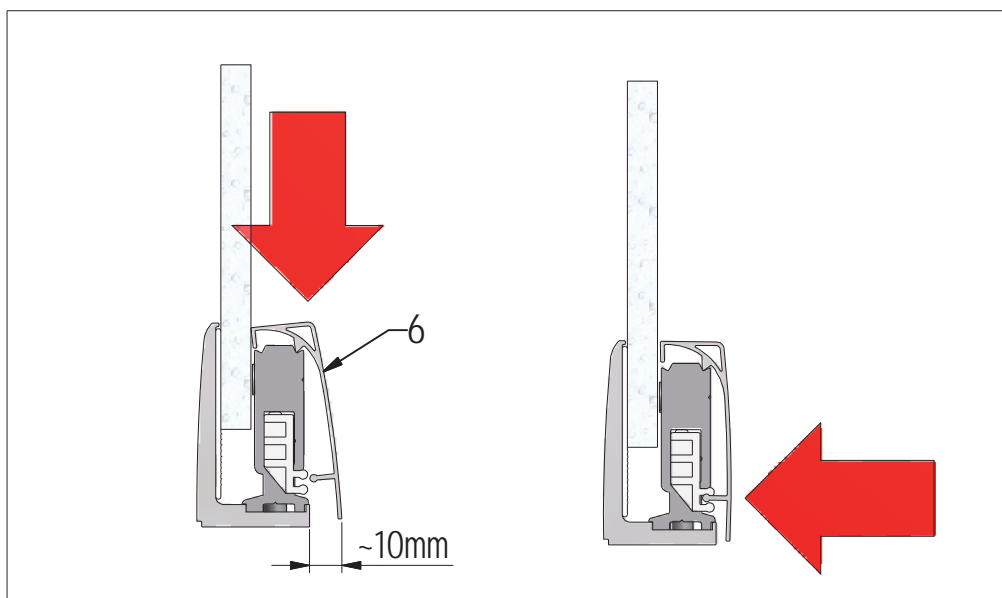
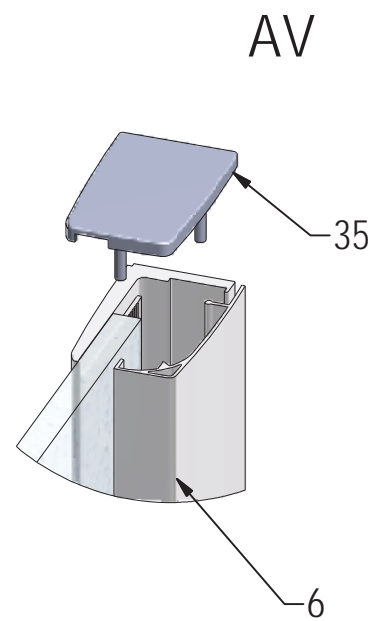
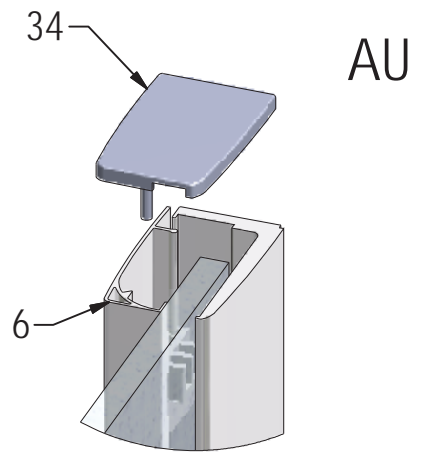
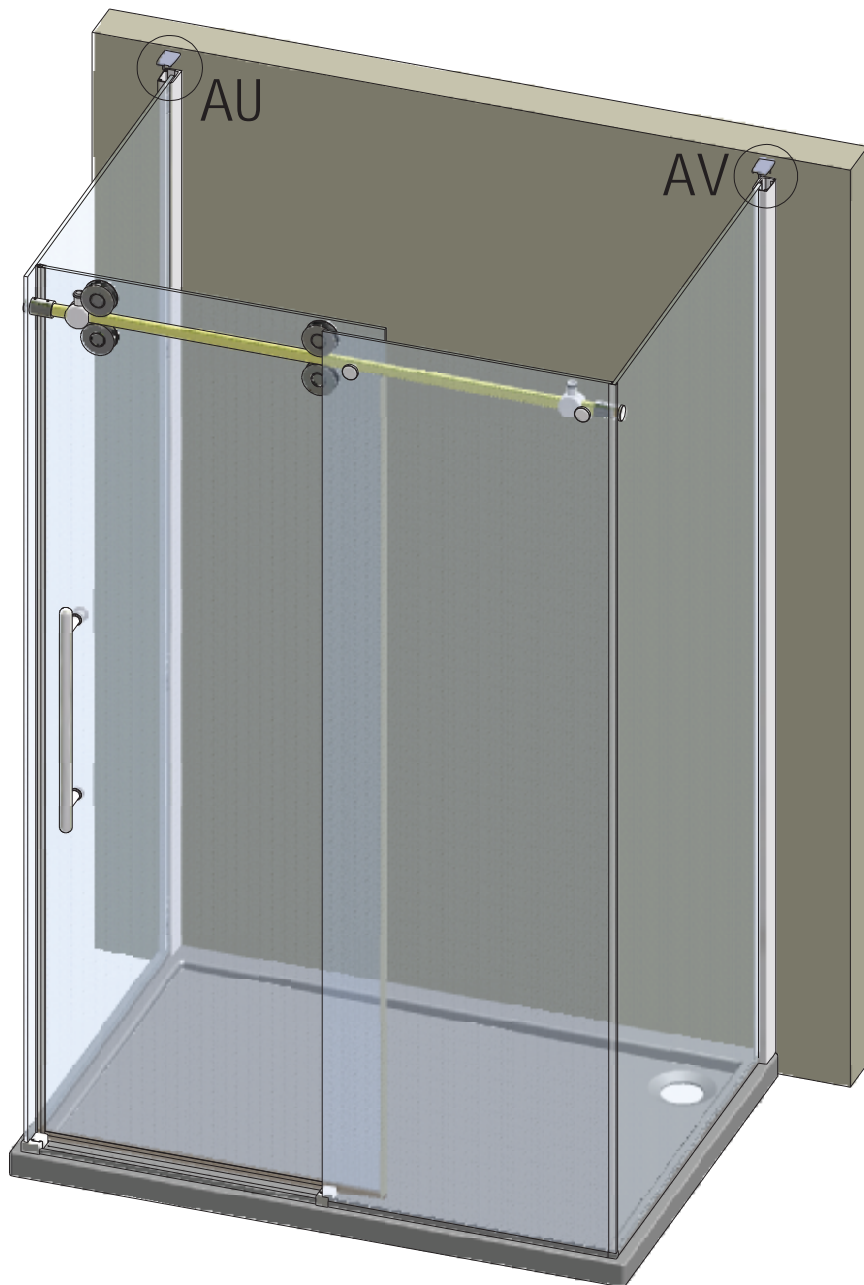


SILICON

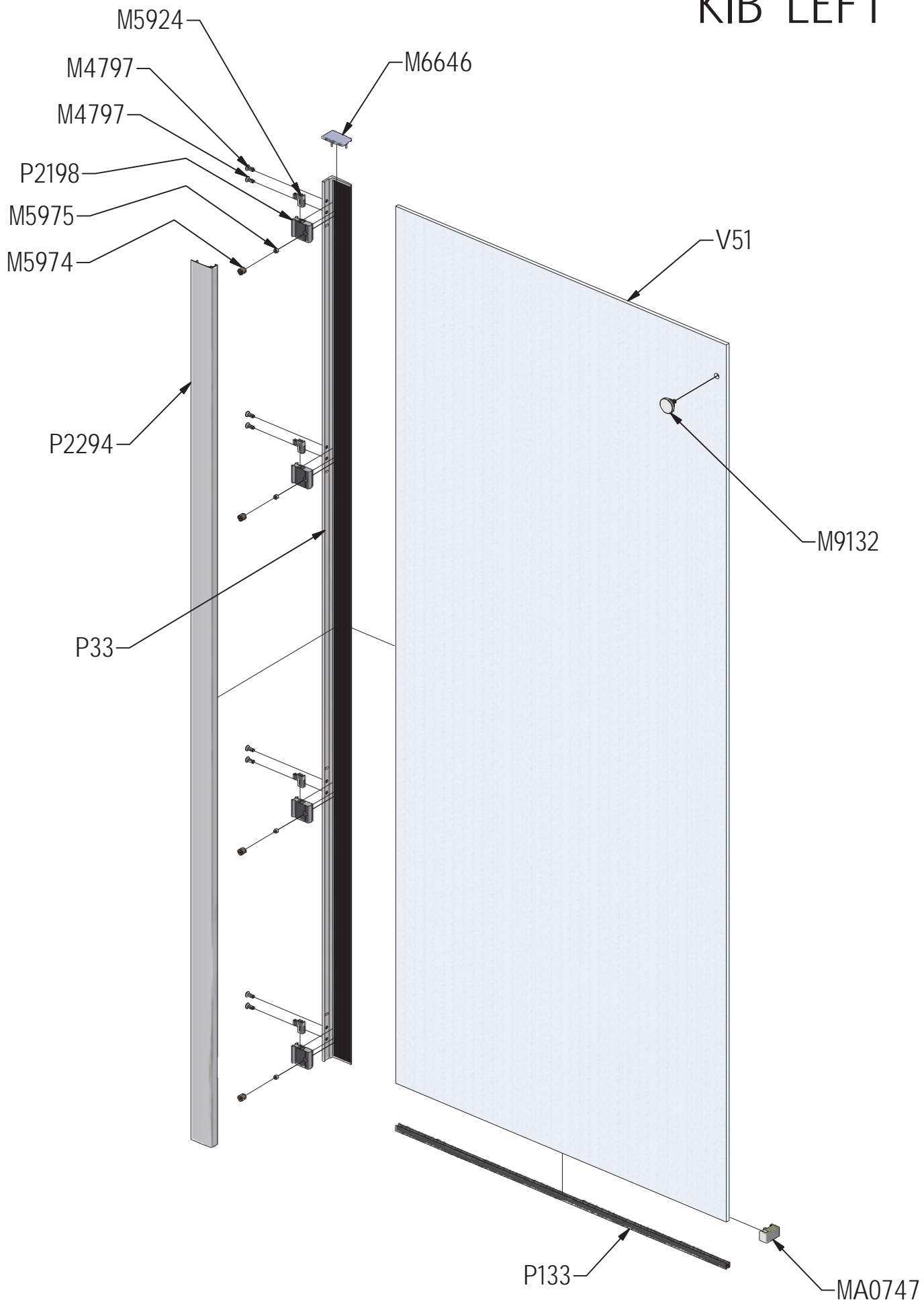
AS



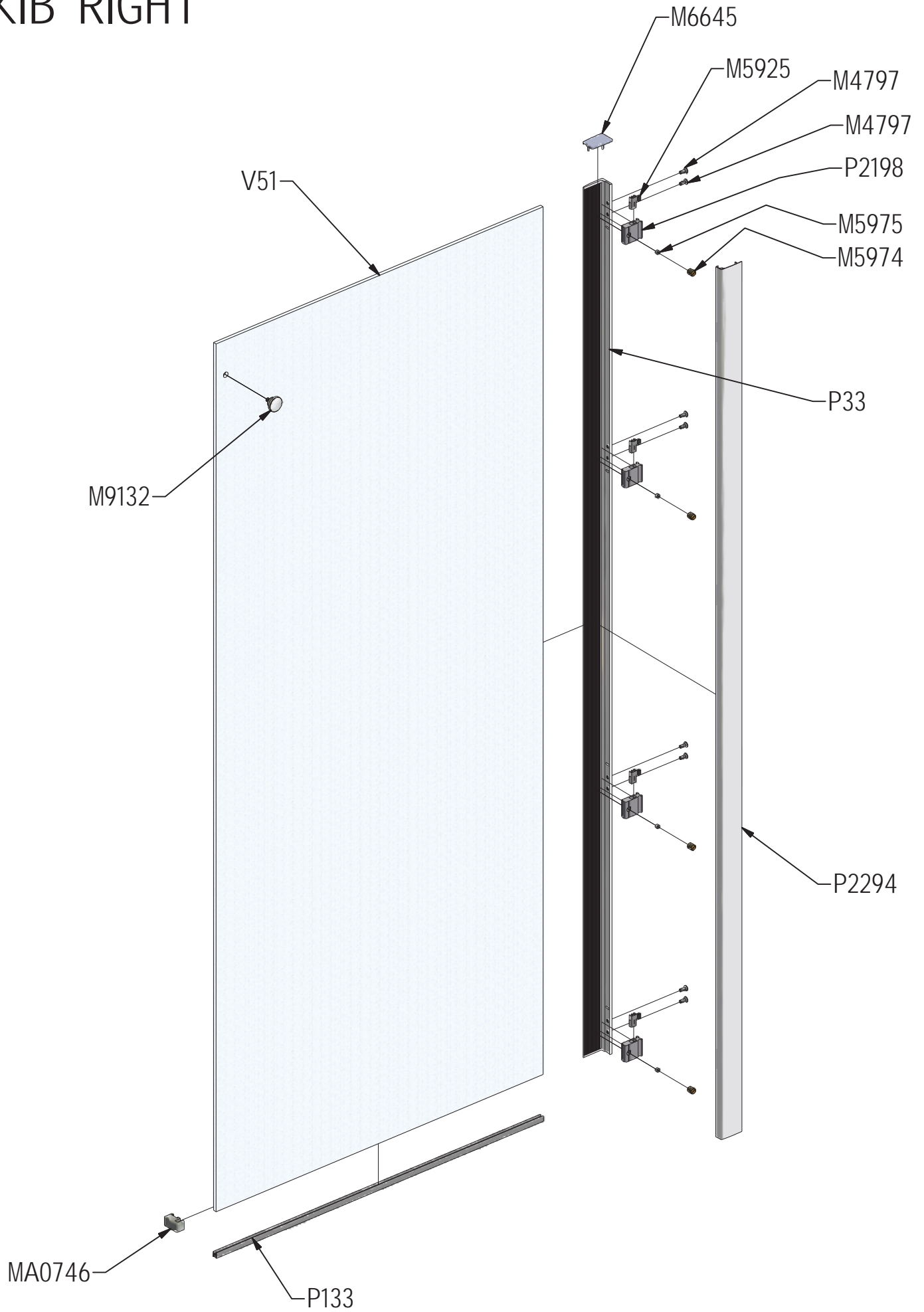
SILICON



KIB LEFT



KIB RIGHT



P33			ND01-0973-00
-----	--	--	--------------

P133	900		P2733
	1000		P2735

V51	900	clear glass	ND03-0401-00-02
	1000	clear glass	ND03-0402-00-02