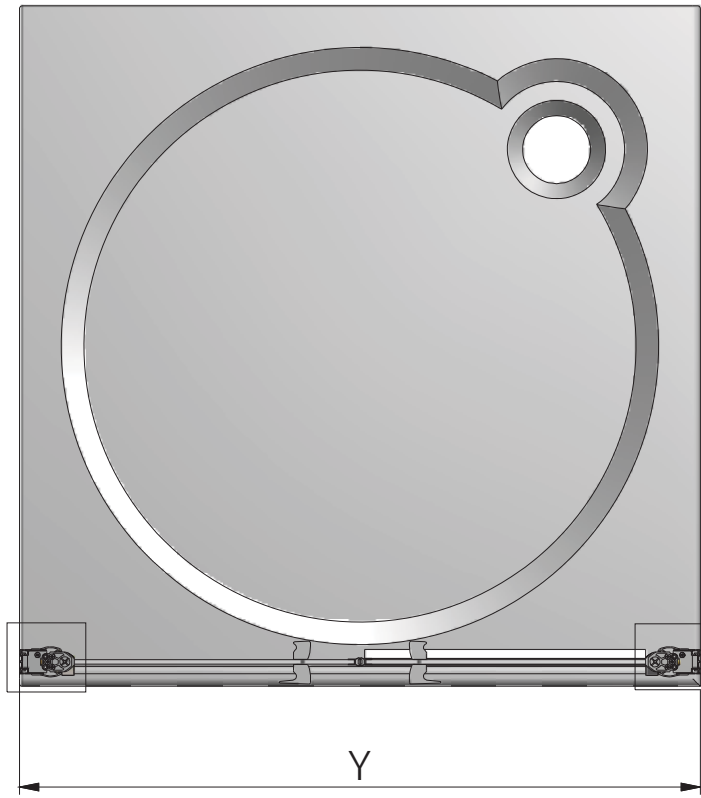


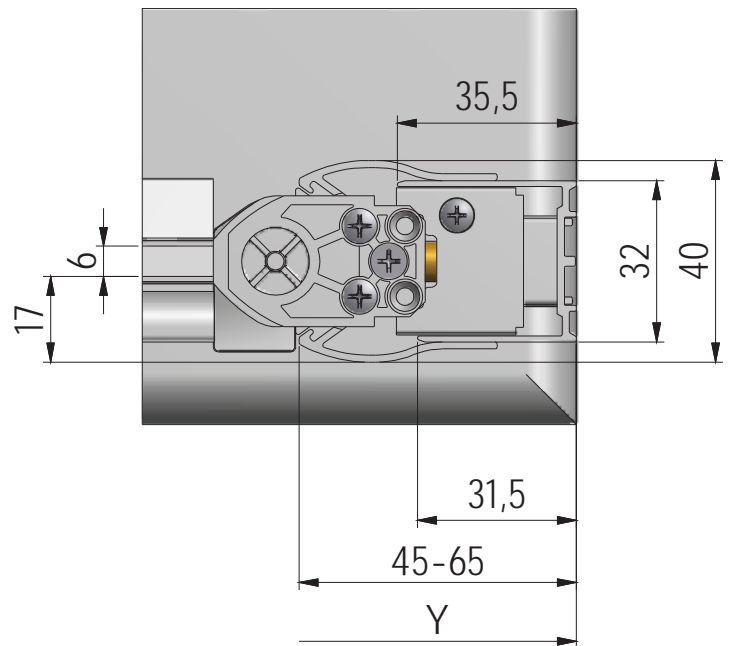
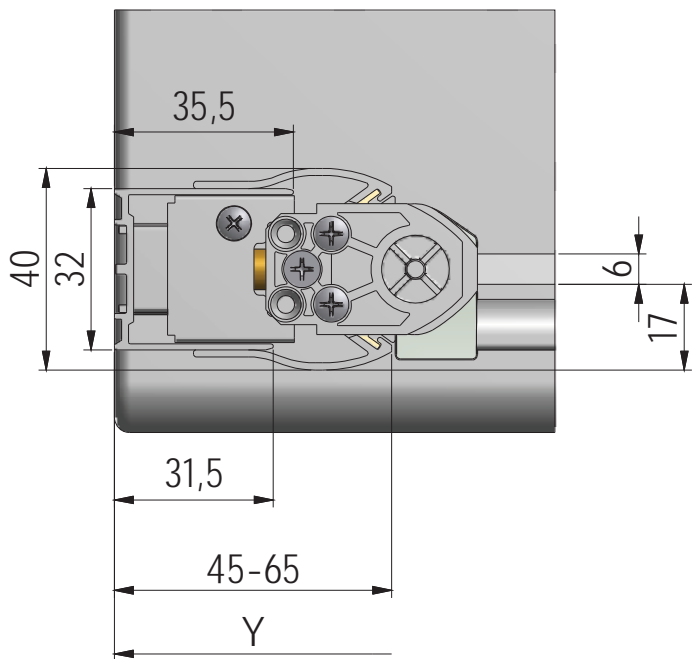
TCN2





I.

II.



TCN2		
	Y MIN (mm)	Y MAX (mm)
800	785	820
900	885	920
1000	985	1020
1100	1085	1120
1200	1185	1220

2.2x
V67



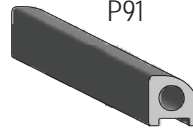
3. 2x
P239



4. 2x
P42



5. 1x
P91



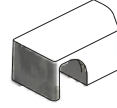
6. 6x
M0511
Ø6



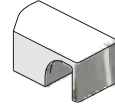
7. 6x
M0811
3,9x38



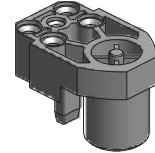
13. 1x
M8835



14. 1x
M8834



16. 2x
M0547



17. 4x
M0793
3,5x25



18. 2x
M1916



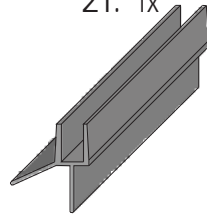
19. 2x
P3010



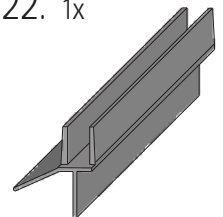
20. 2x
P3365



21. 1x



22. 1x



24. 6x
M0768



25. 1x
M0838
Ø2,8



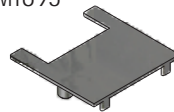
26. 8x
M0806
Ø3,5x9,5



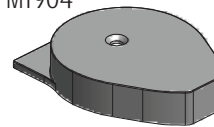
27. 8x
M1907



28. 2x
M1893



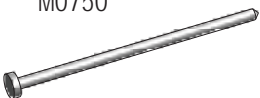
29. 2x
M1904

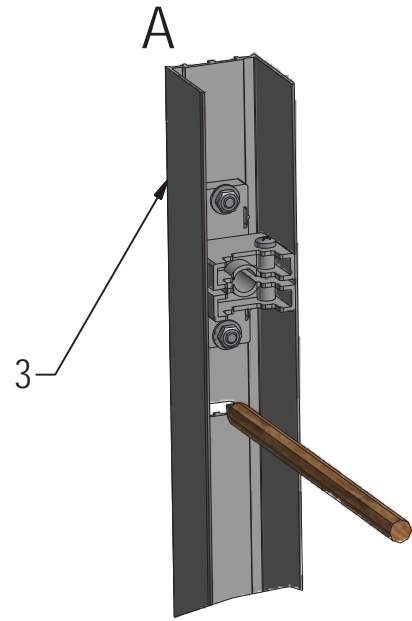
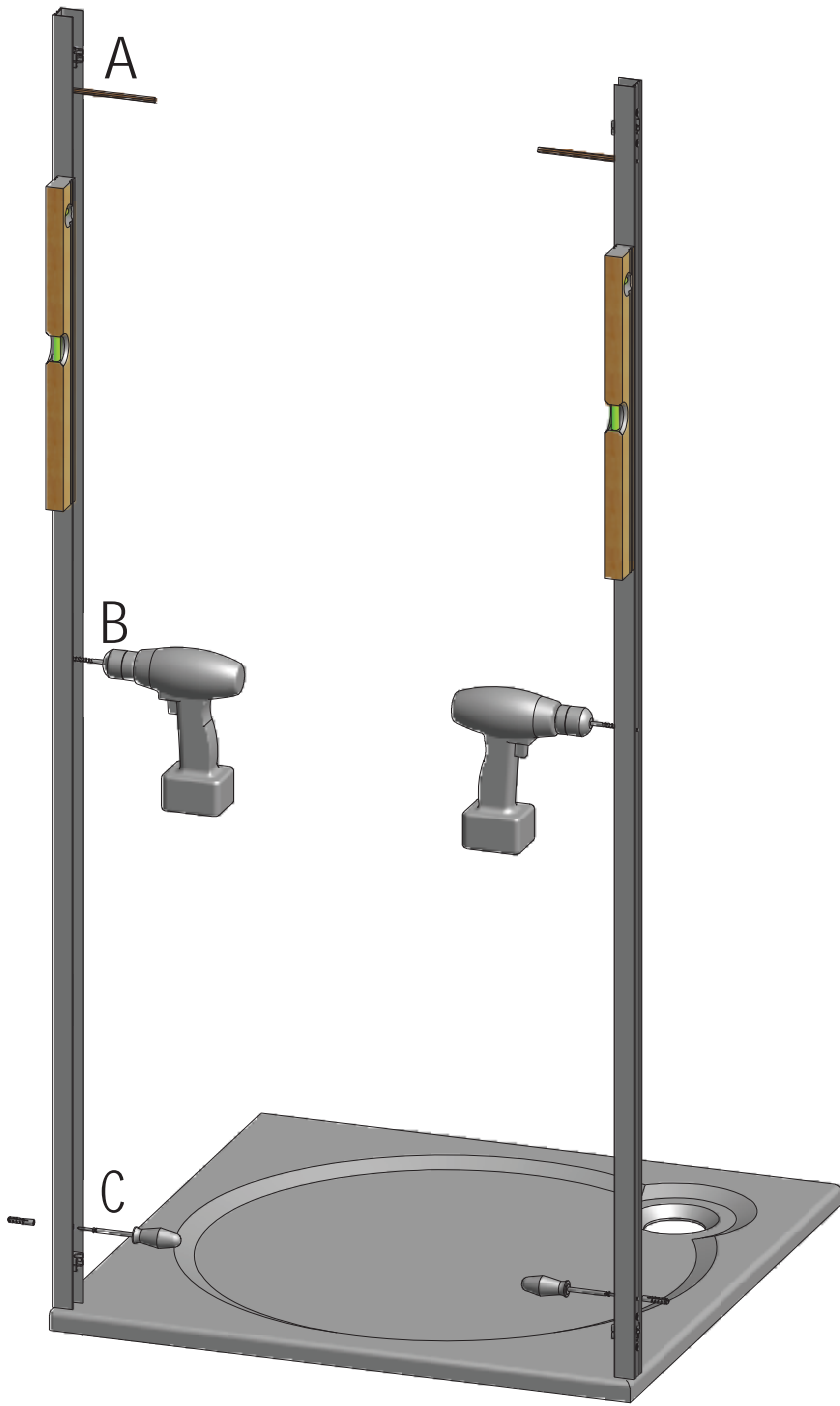


30. 2x
M0800
3,5x45

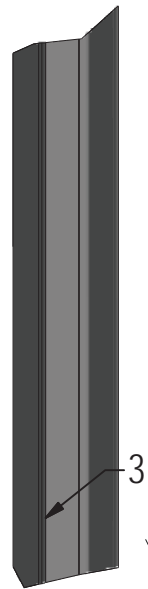


1x
M0750

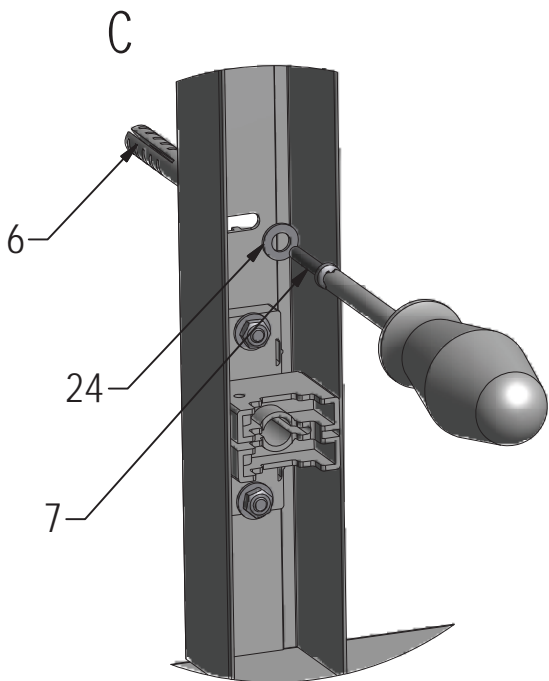
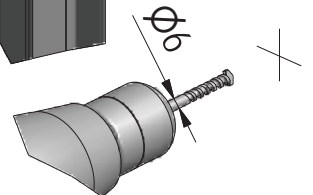
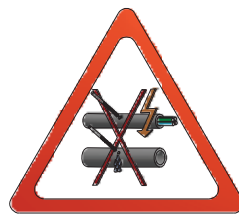




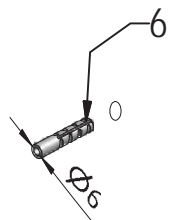
B

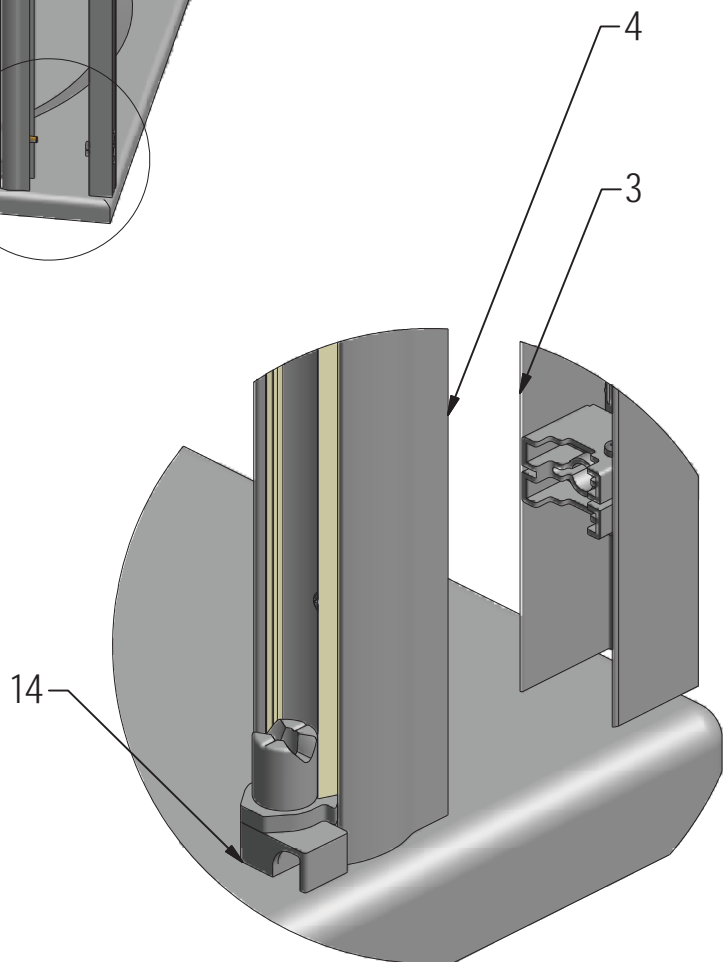
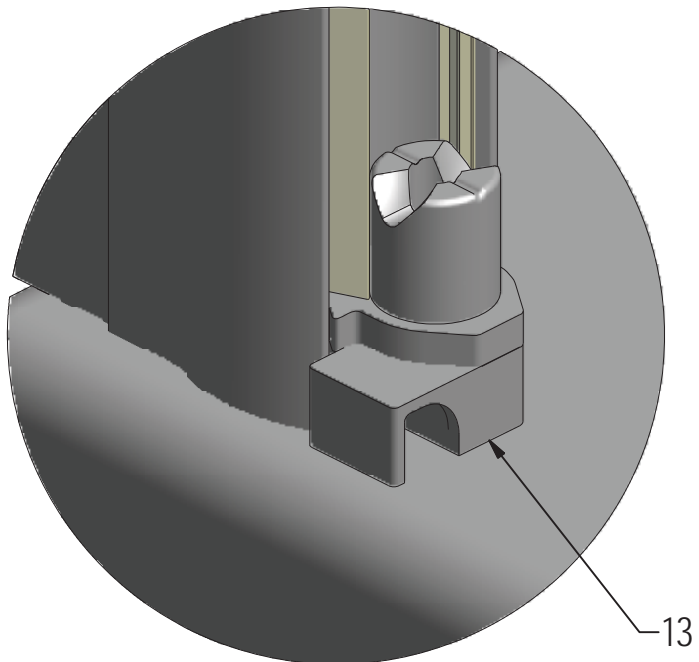
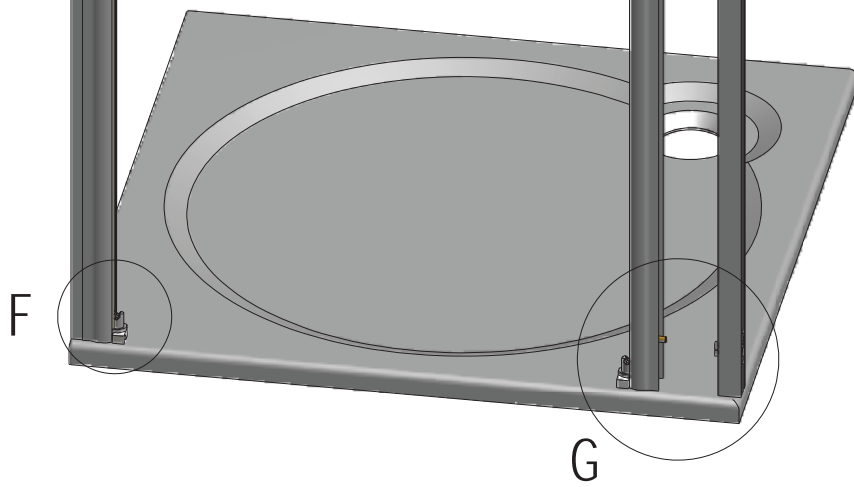
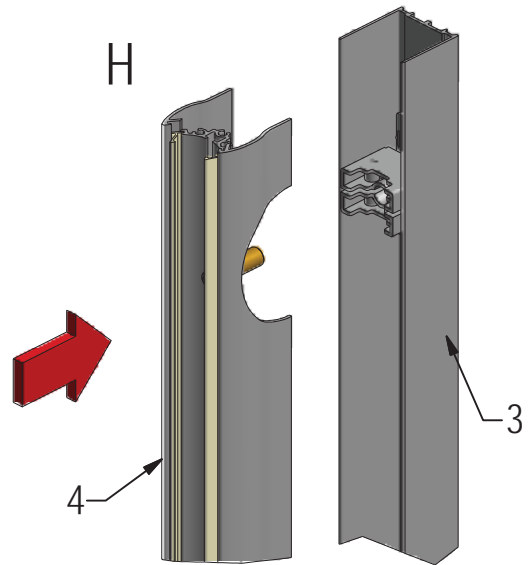
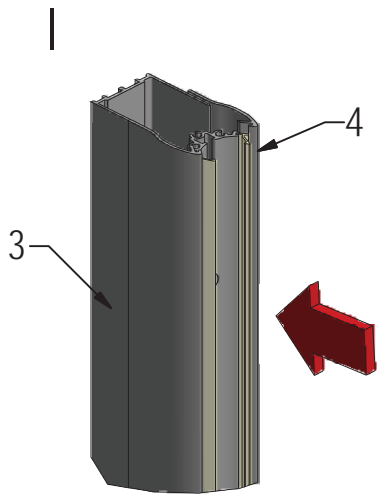
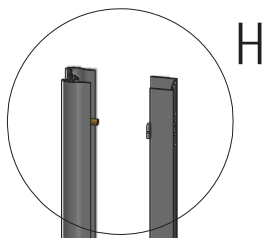
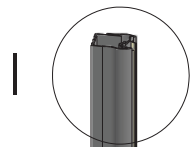


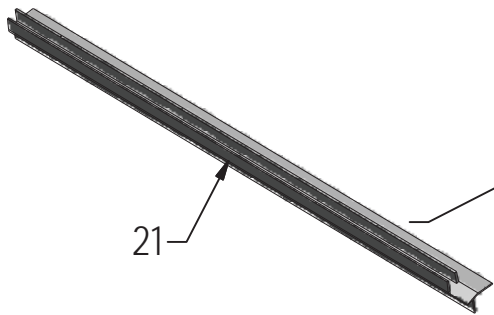
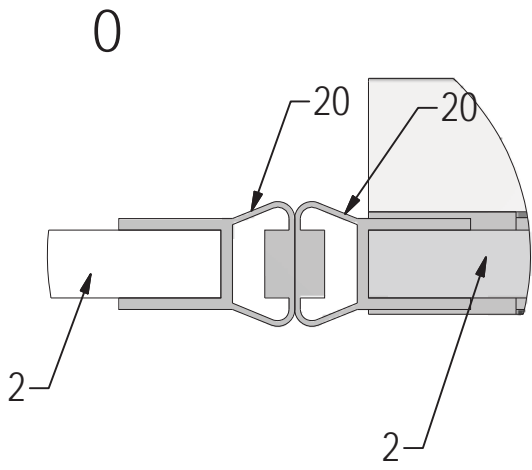
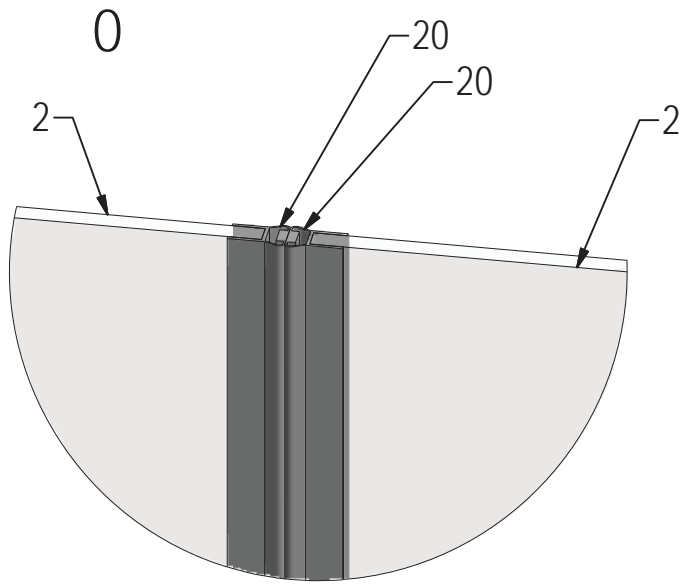
B1



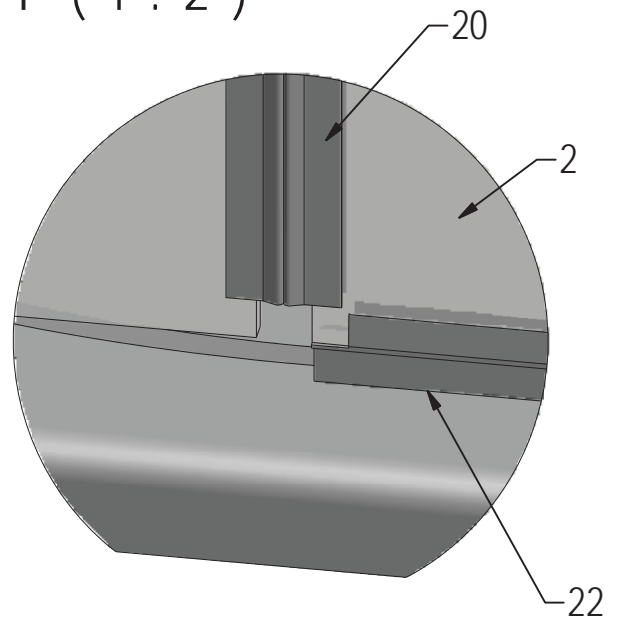
B2

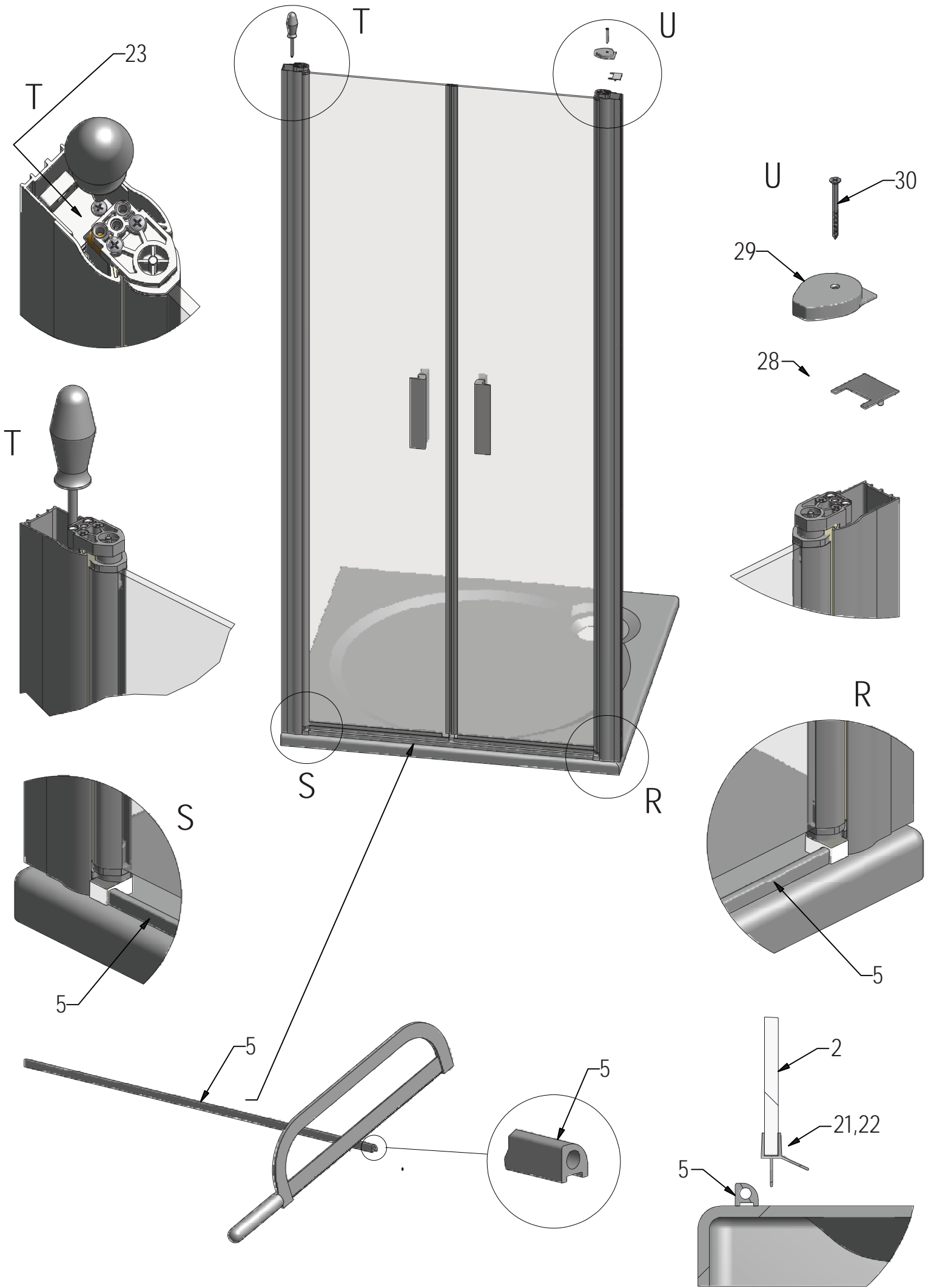


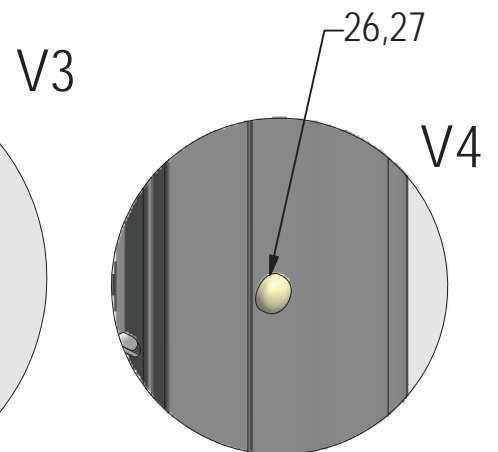
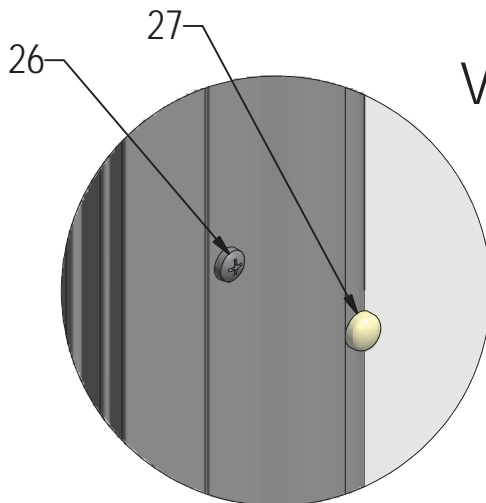
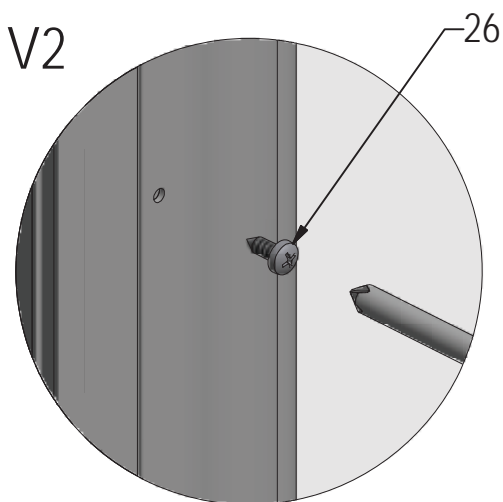
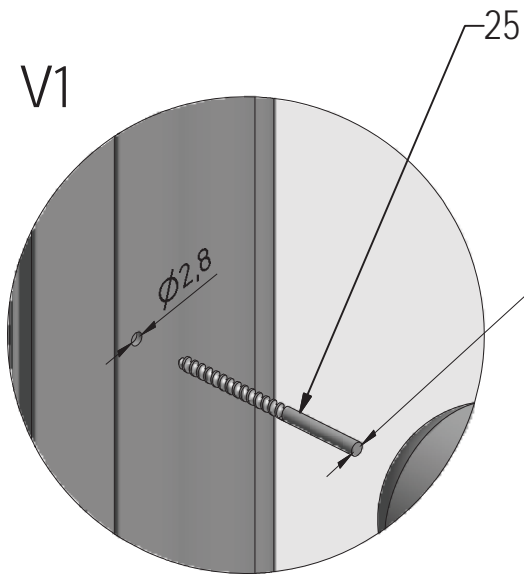
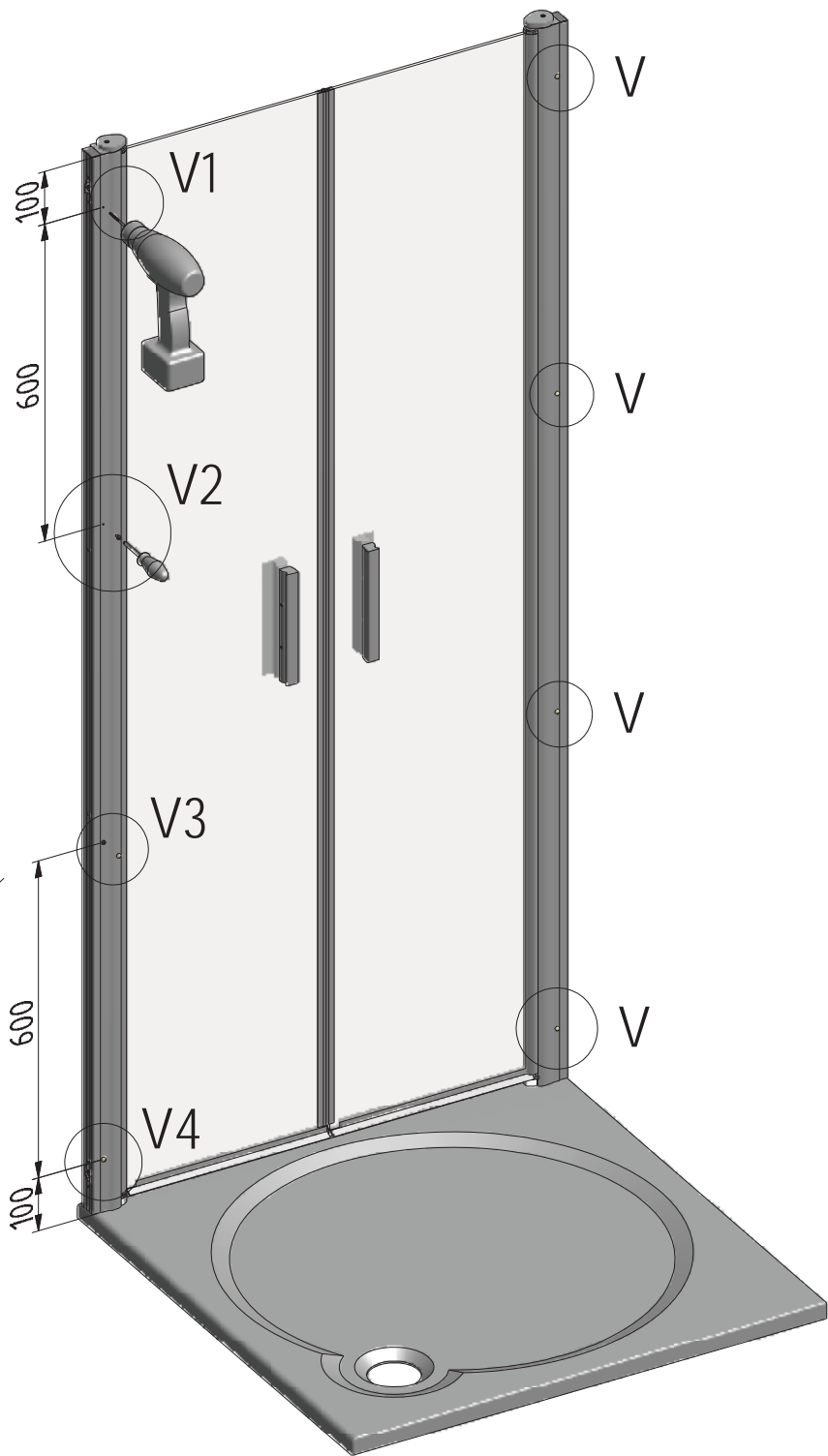
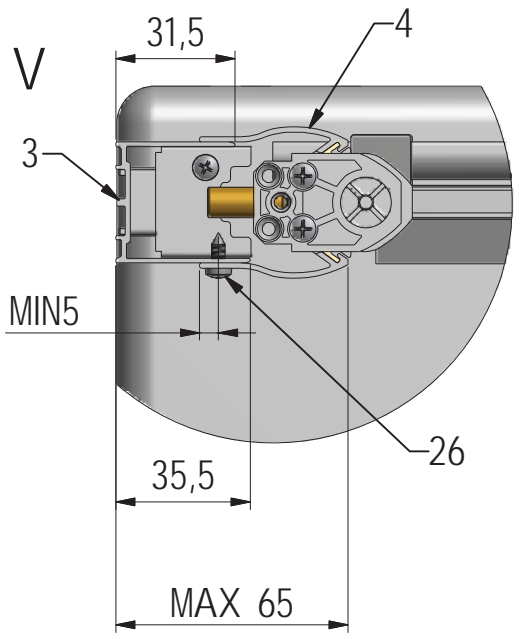




P (1 : 2)

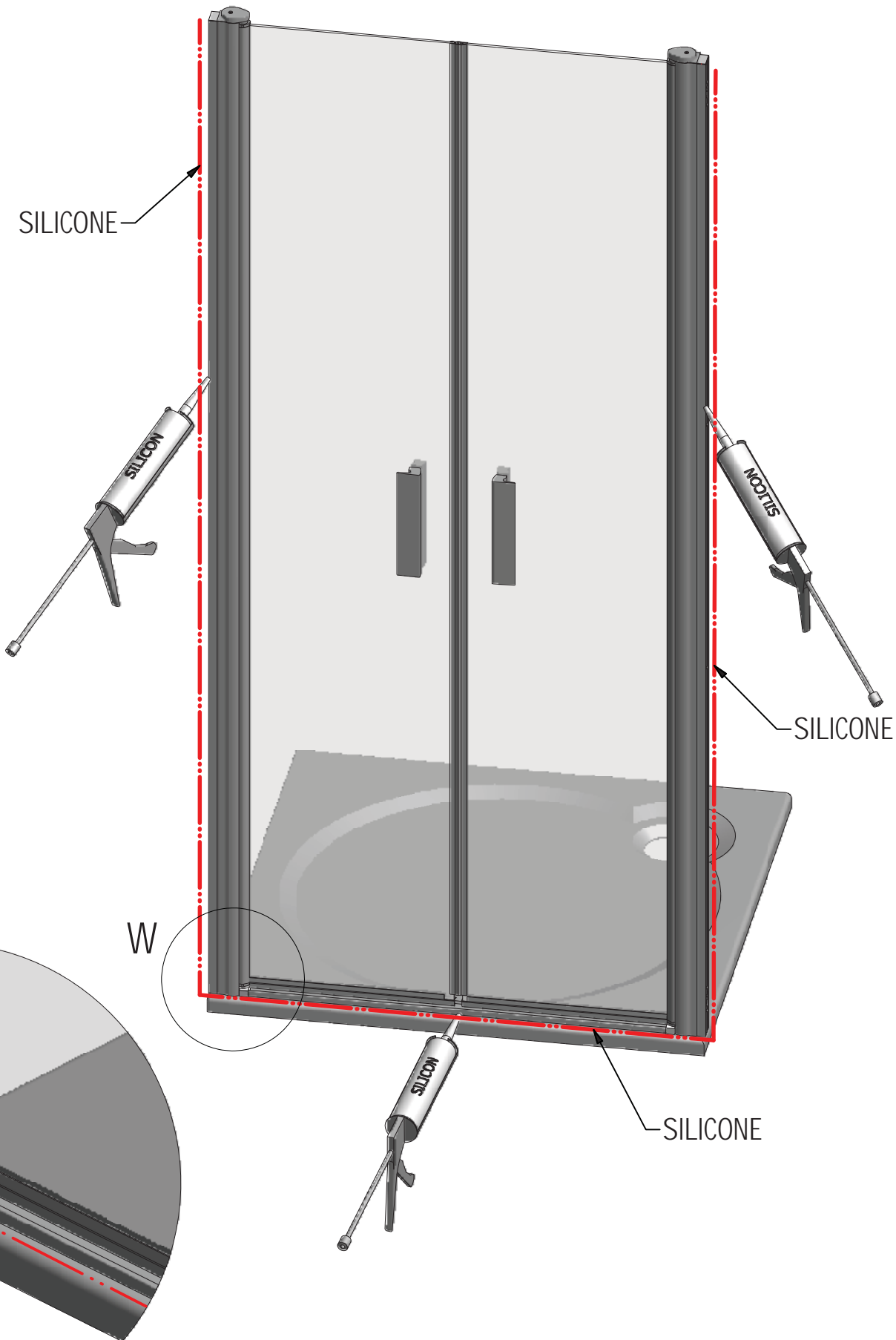








SILICONE



SILICONE

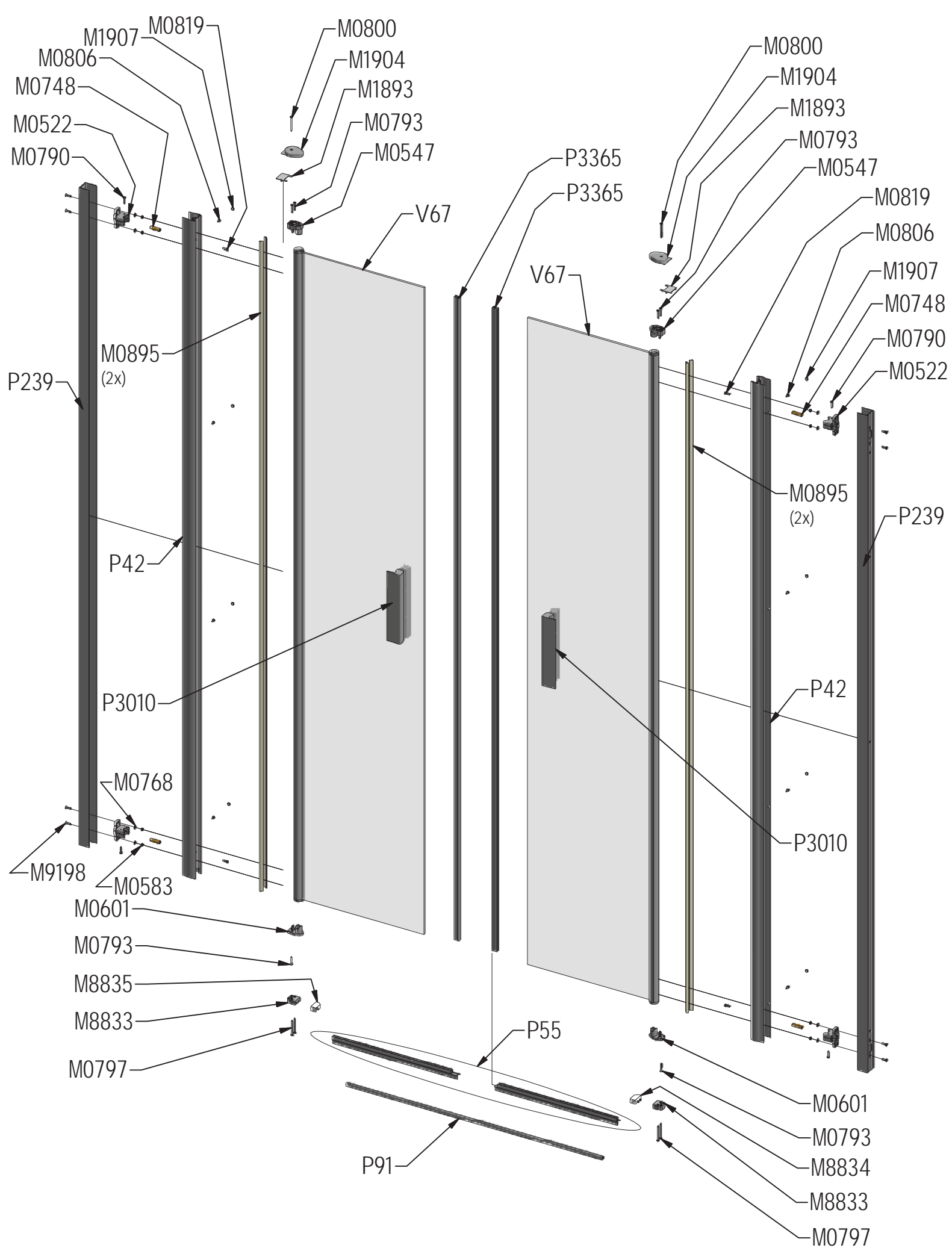
SILICONE

W

W

MIN 100mm

SILICONE



P239		brillant		P3361
		elox		P3927
P42		brillant		P1963
		elox		P1962
P55				ND01-2422
P91	800			ND01-2524-8
	900			ND01-2524-9
	1000			ND01-2524-10
	1100			ND01-2524-11
	1200			ND01-2524-12
V67	800	brillant+clear glass	brillant+transparent	ND02-0574-00-02
		brillant+intima glass	brillant+intima	ND02-0574-00-20
		elox+clear glass	elox+transparent	ND02-0574-01-02
		elox+intima glass	elox+intima	ND02-0574-01-20
	900	brillant+clear glass	brillant+transparent	ND02-0575-00-02
		brillant+intima glass	brillant+intima	ND02-0575-00-20
		elox+clear glass	elox+transparent	ND02-0575-01-02
		elox+intima glass	elox+intima	ND02-0575-01-20
	1000	brillant+clear glass	brillant+transparent	ND02-0505-00-02
		brillant+intima glass	brillant+intima	ND02-0505-00-20
		elox+clear glass	elox+transparent	ND02-0505-01-02
		elox+intima glass	elox+intima	ND02-0505-01-20
	1100	brillant+clear glass	brillant+transparent	ND02-0576-00-02
		brillant+intima glass	brillant+intima	ND02-0576-00-20
		elox+clear glass	elox+transparent	ND02-0576-01-02
		elox+intima glass	elox+intima	ND02-0576-01-20
	1200	brillant+clear glass	brillant+transparent	ND02-0506-00-02
		brillant+intima glass	brillant+intima	ND02-0506-00-20
		elox+clear glass	elox+transparent	ND02-0506-01-02
		elox+intima glass	elox+intima	ND02-0506-01-20