

Technische Daten/ Technical Data

KLUDI Design
bottle trap

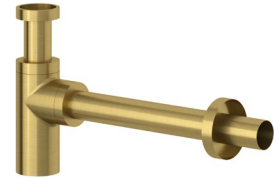
Ref.: 10020N0-00

Finishes:
N0 Brushed Gold

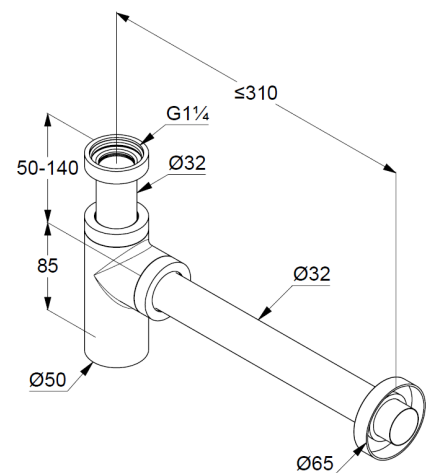
Product description
Manufacturer KLUDI GmbH & Co. KG
Typ: KLUDI Design
bottle trap
Ref.: 10020N0-00

design bottle trap G1¼
for wash basin
G1¼ x Ø32 x 320mm
material brass
with outlet tube Ø 32mm x 290mm
with push-on rosette Ø 65mm
adjustable drain pipe up to 110mm
with access to clean
waste flow rate in according to DIN EN 274

Produktabbildung/ Product picture



Maßzeichnung/ Dimensional drawing



Durchfluss/ Flow rate