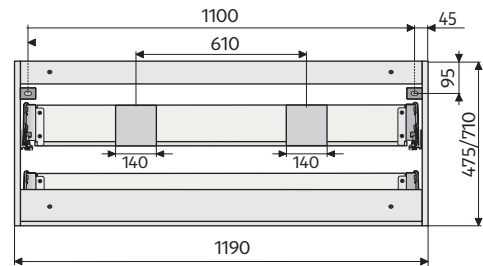
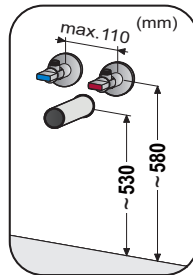
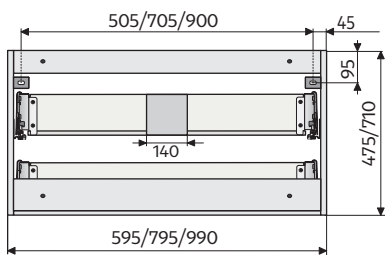
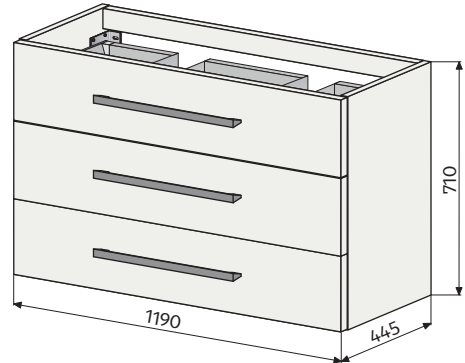
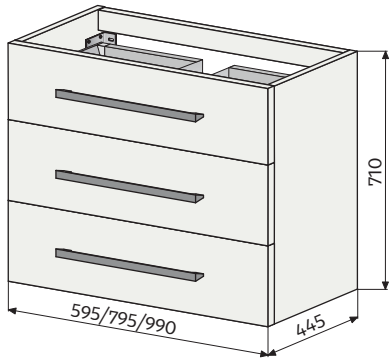
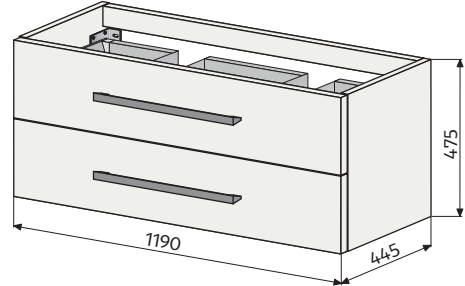
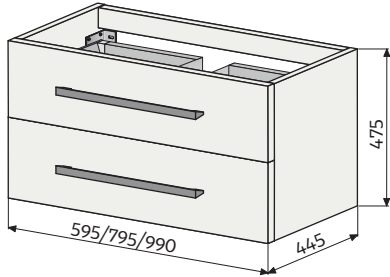
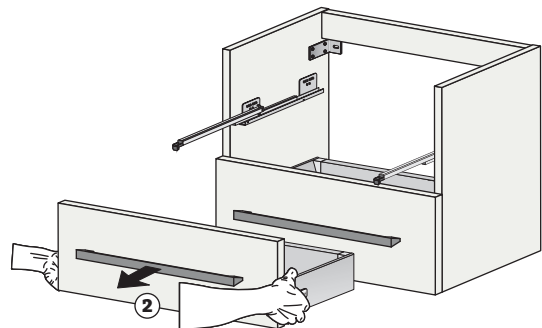
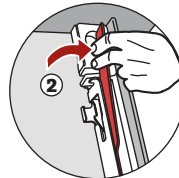
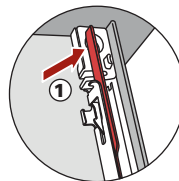
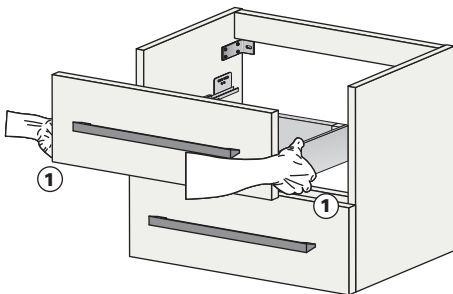




CUBE346602Z**BU CUBE346603Z**BU
CUBE346802Z**BU CUBE346803Z**BU
CUBE3461002Z**BU CUBE3461003Z**BU
CUBE3461202Z**BU CUBE3461203Z**BU

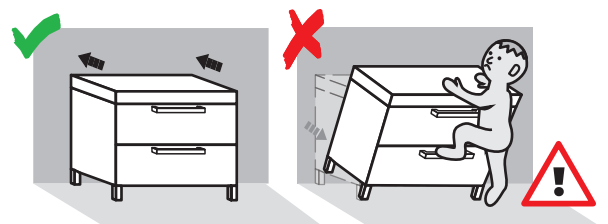
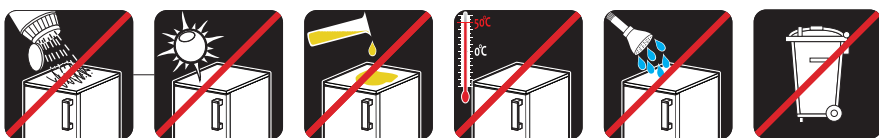
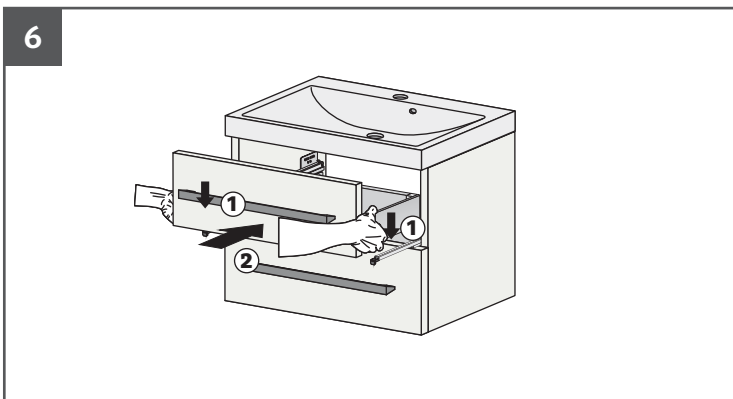
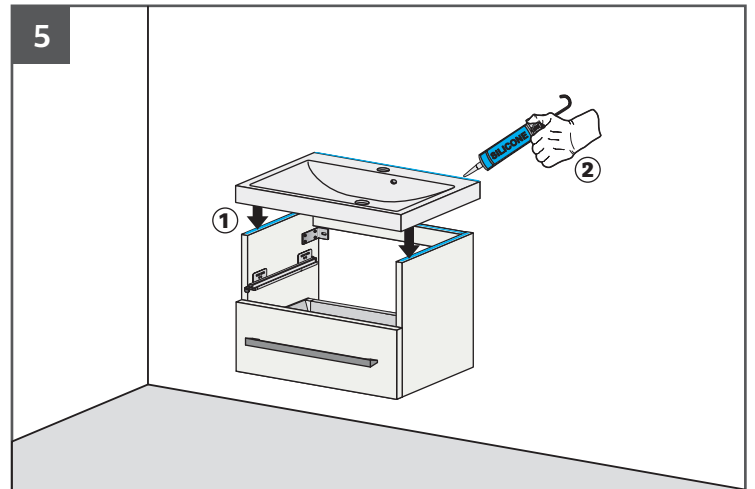
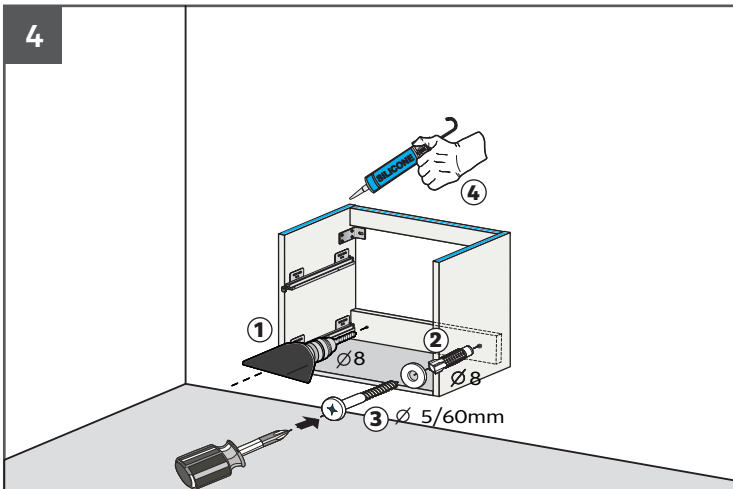
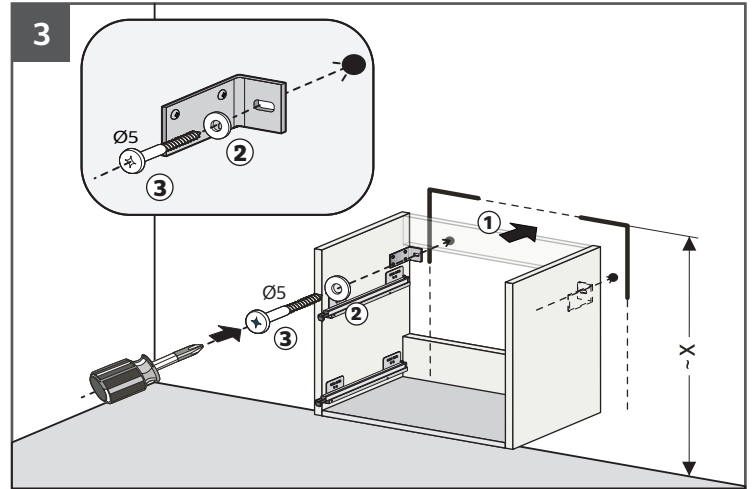
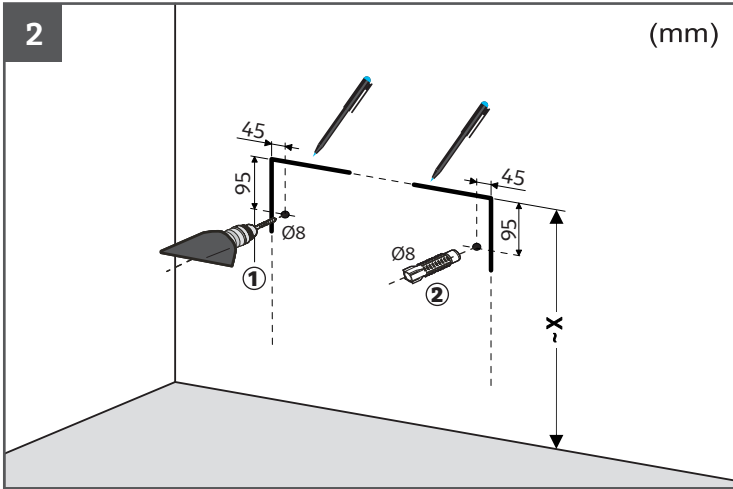


1





CUBE346602ZBU** **CUBE346603Z**BU**
CUBE346802ZBU** **CUBE346803Z**BU**
CUBE3461002ZBU** **CUBE3461003Z**BU**
CUBE3461202ZBU** **CUBE3461203Z**BU**



SAT® is registered trademark of



Swiss Aqua Technologies AG
 Gewerbestrasse 9, 6330 Cham, Switzerland
www.swatec.ch
 Imported by SIKO KOUPELNY a.s.
 Made in Czech Republic

