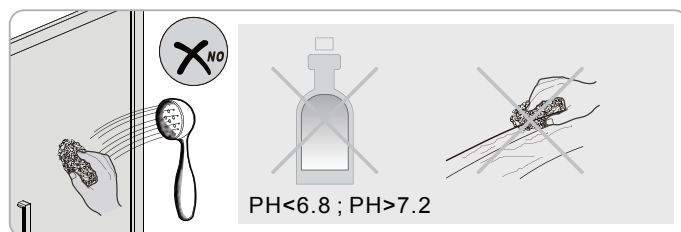
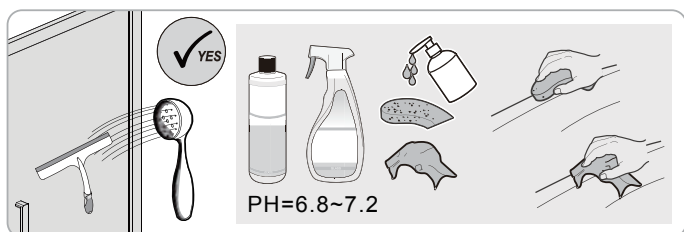
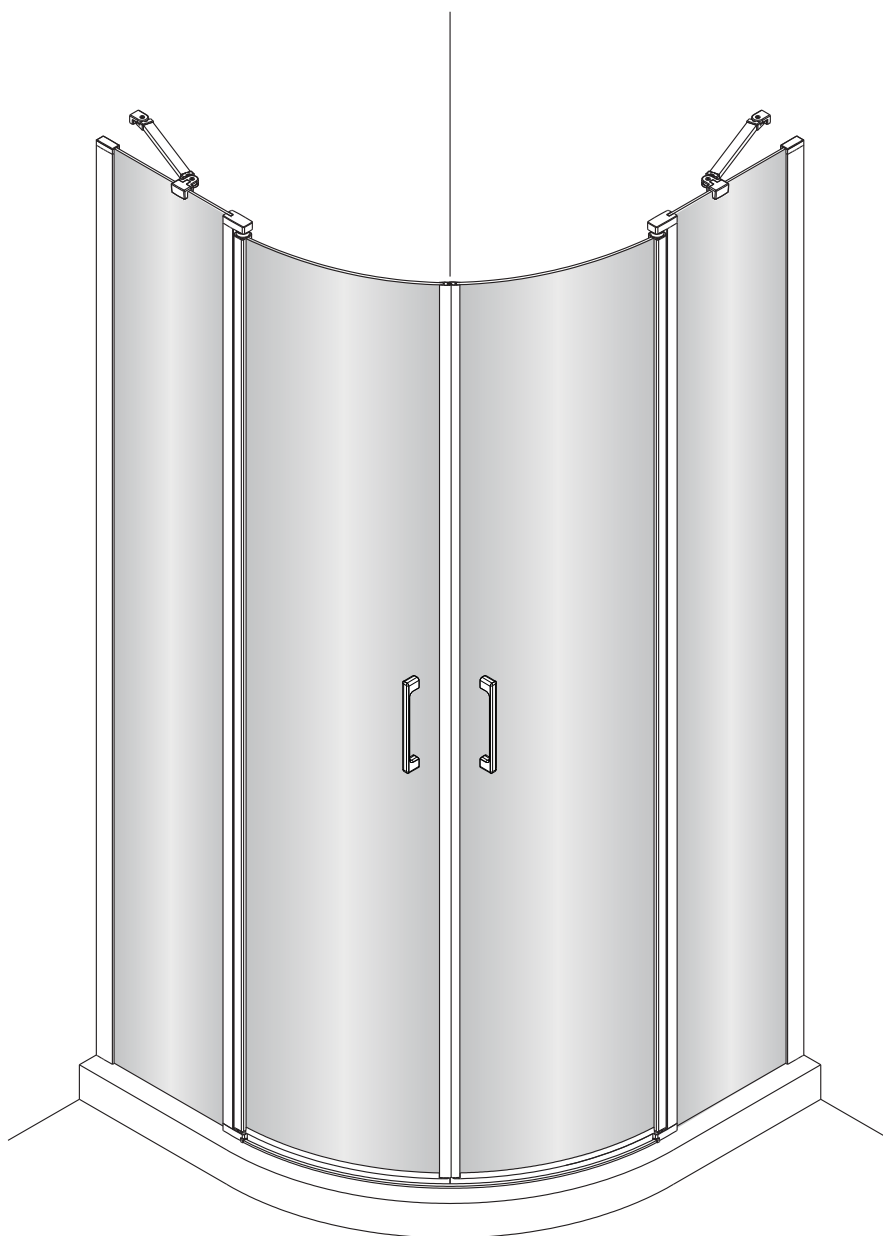
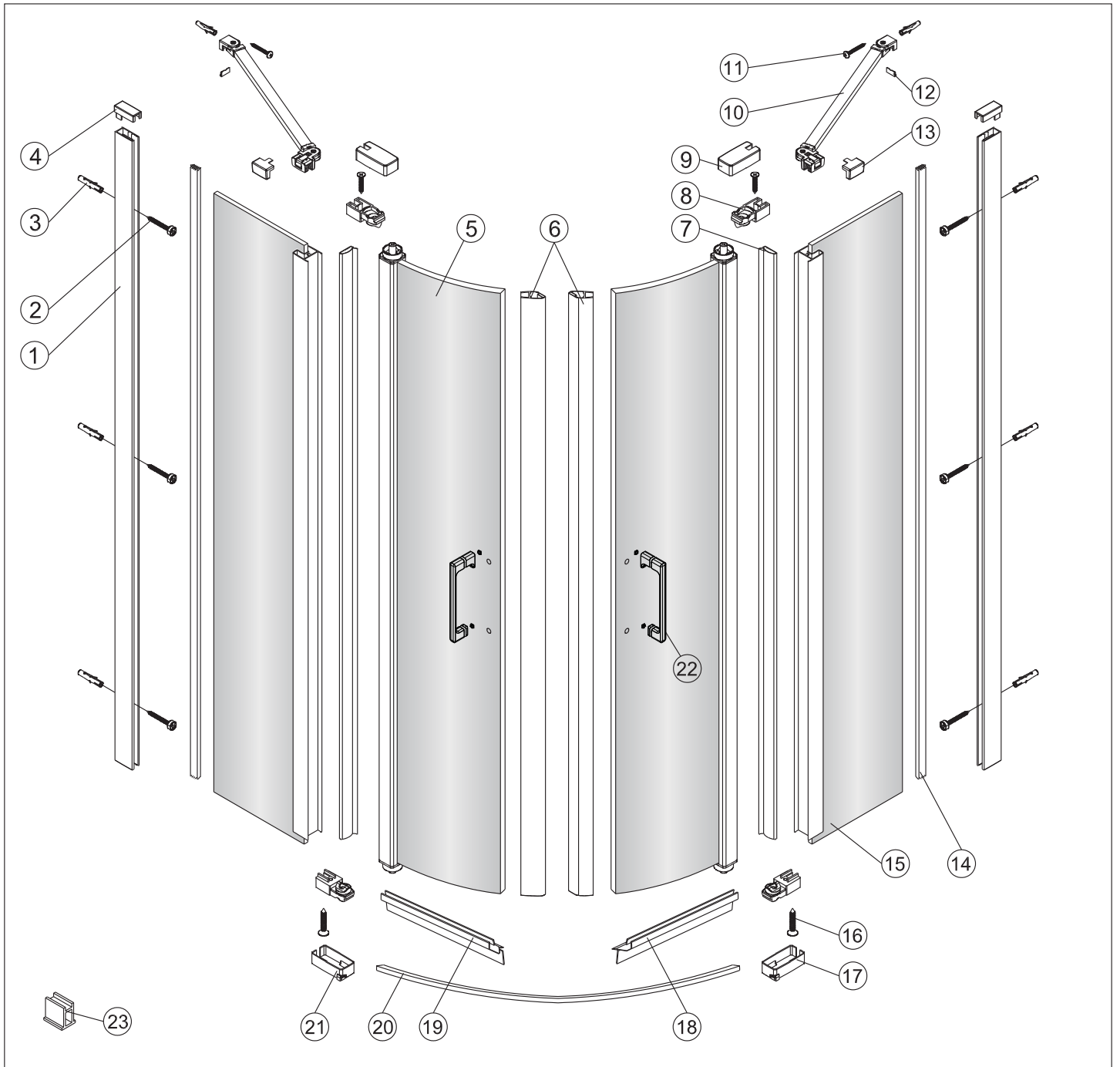


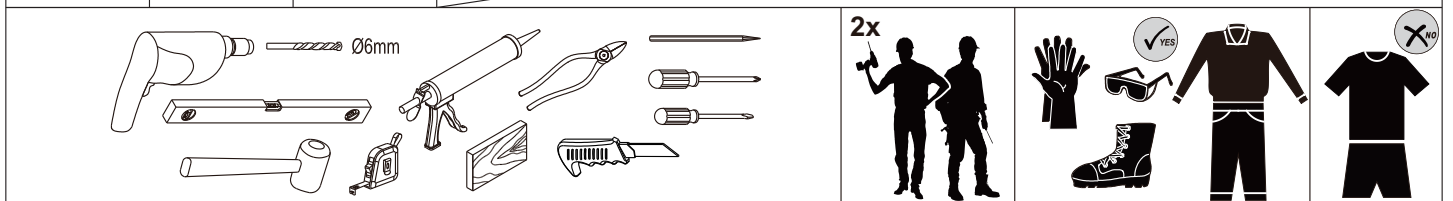


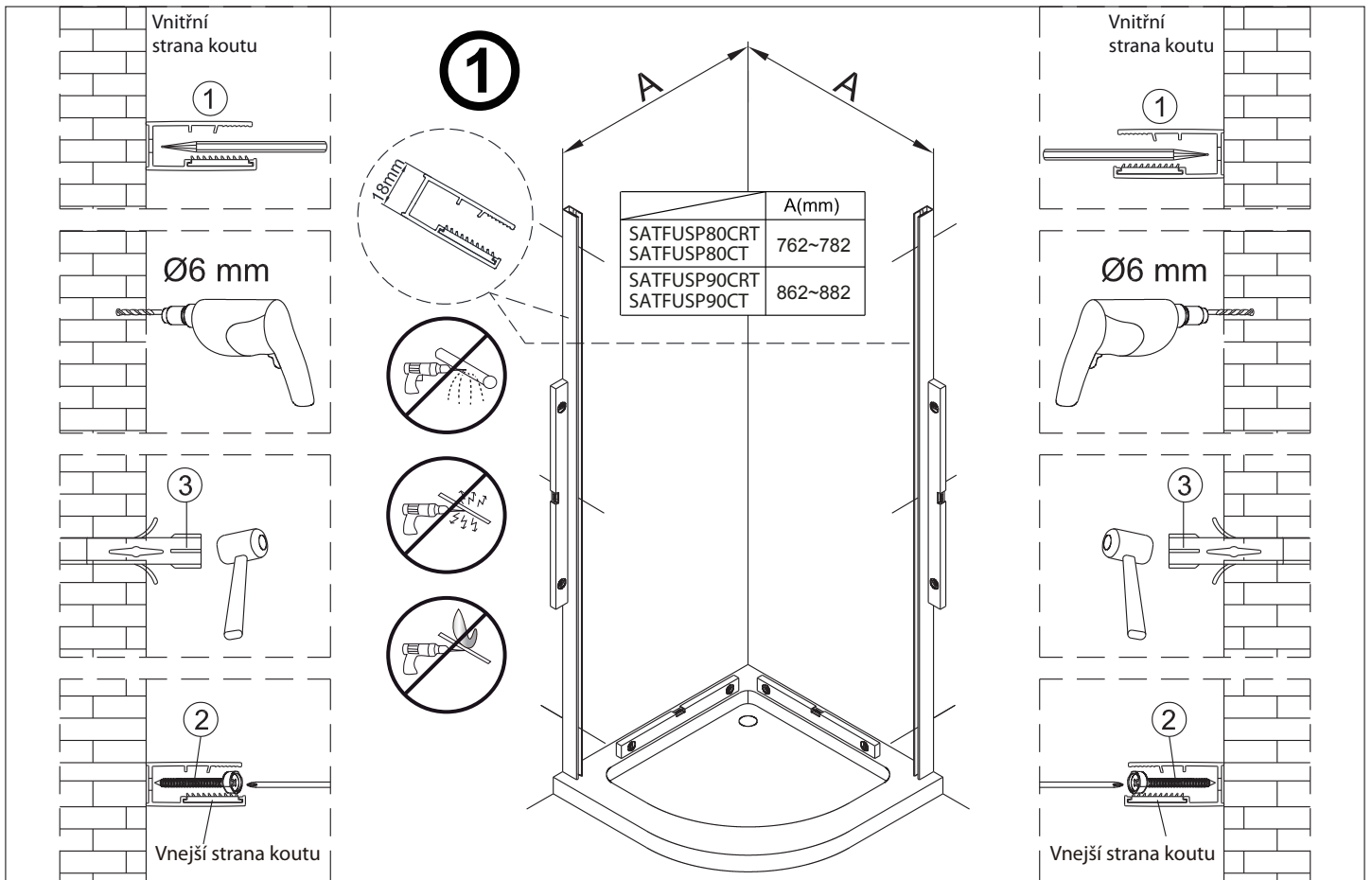
SATFUSP80CRT, SATFUSP90CRT,  
SATFUSP80CT, SATFUSP90CT



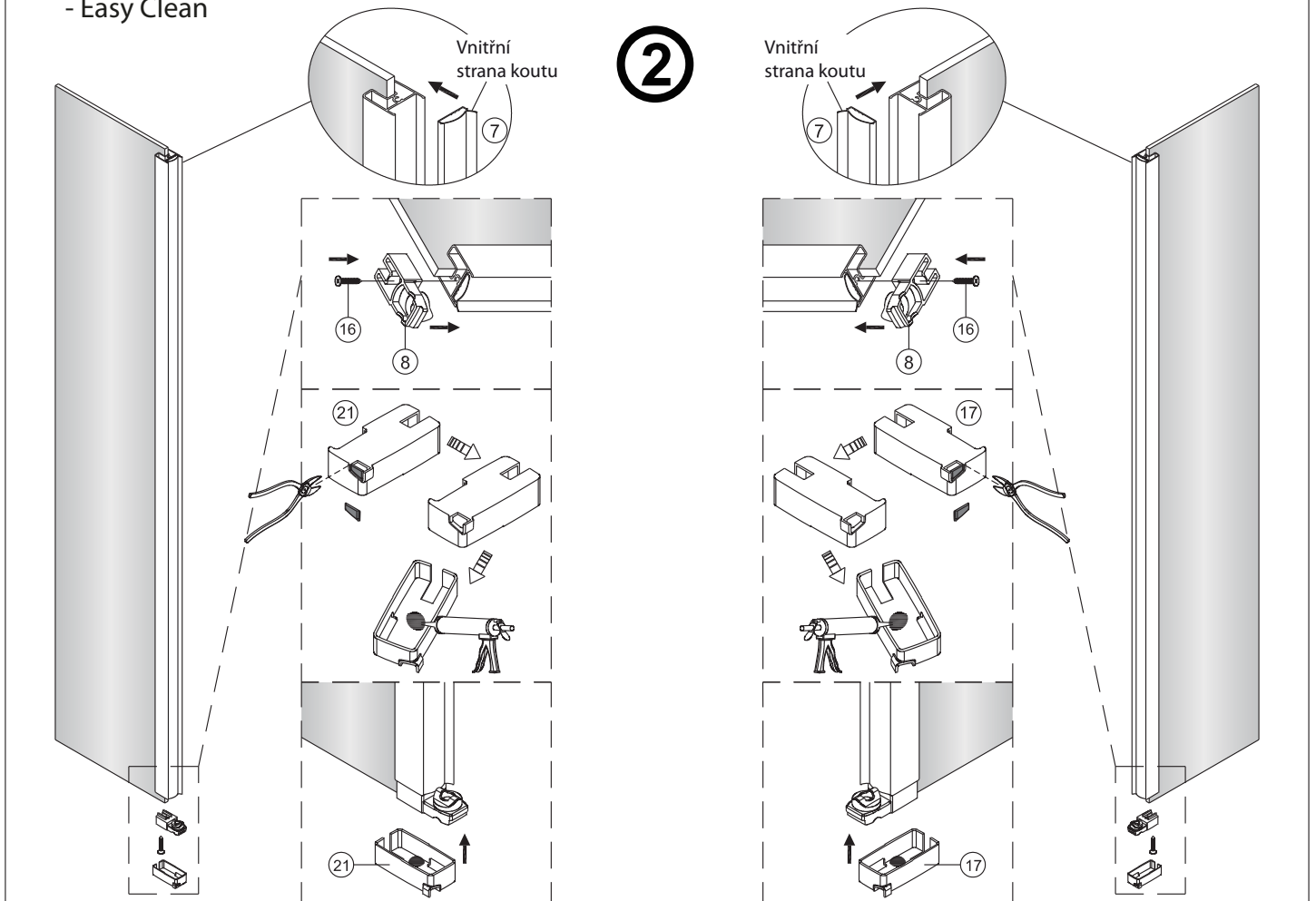


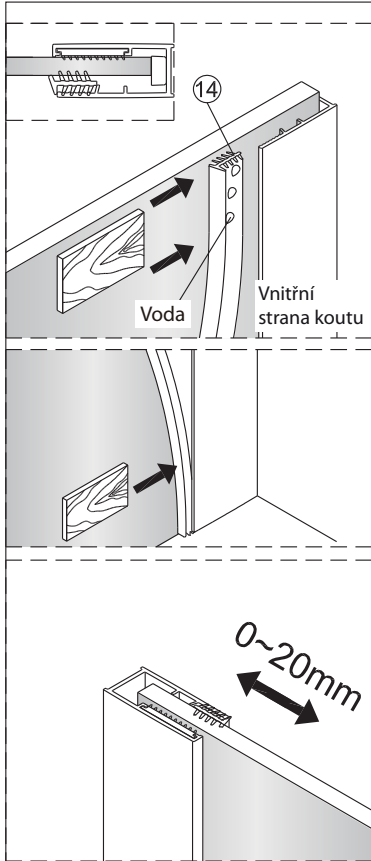
1 2X	2 6X ST4X40	3 8X	4 2X	5 2X	6 1set	7 2X	8 4X	9 2X	10 2X
11 2X ST4X40	12 2X	13 2X	14 2X	15 2X	16 4X ST4X25	17 1X	18 1X	19 1X	20 1X
21 1X	22 *	23 2X							



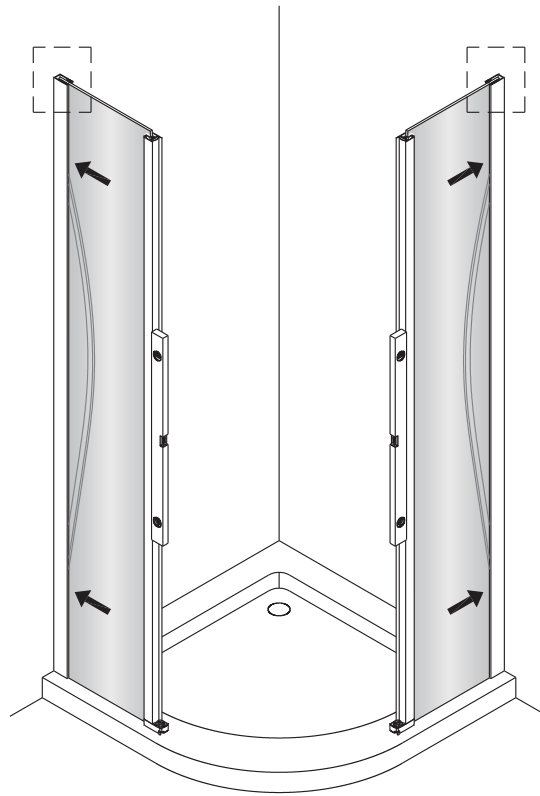


Poznámka: Vnitřní strana koutu  
- Easy Clean



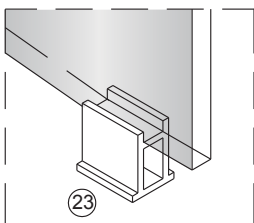
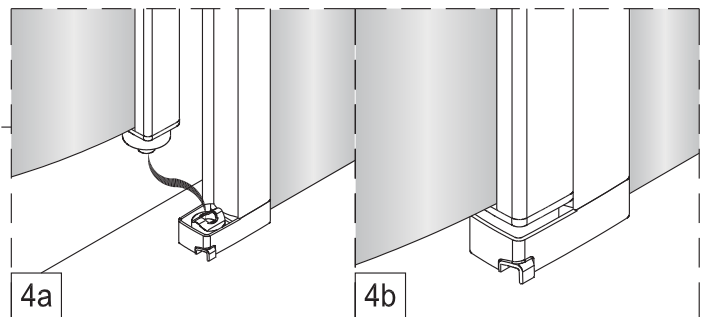
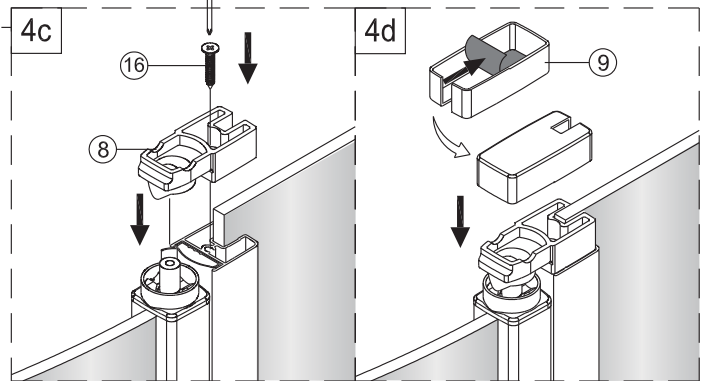


3

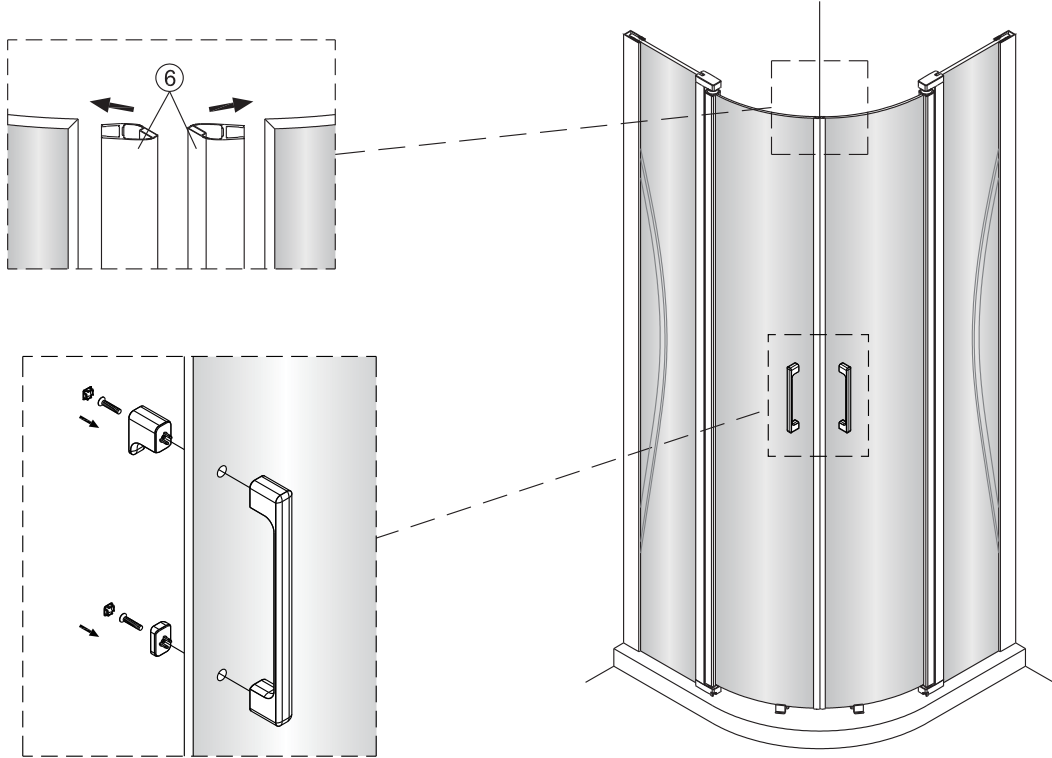


4

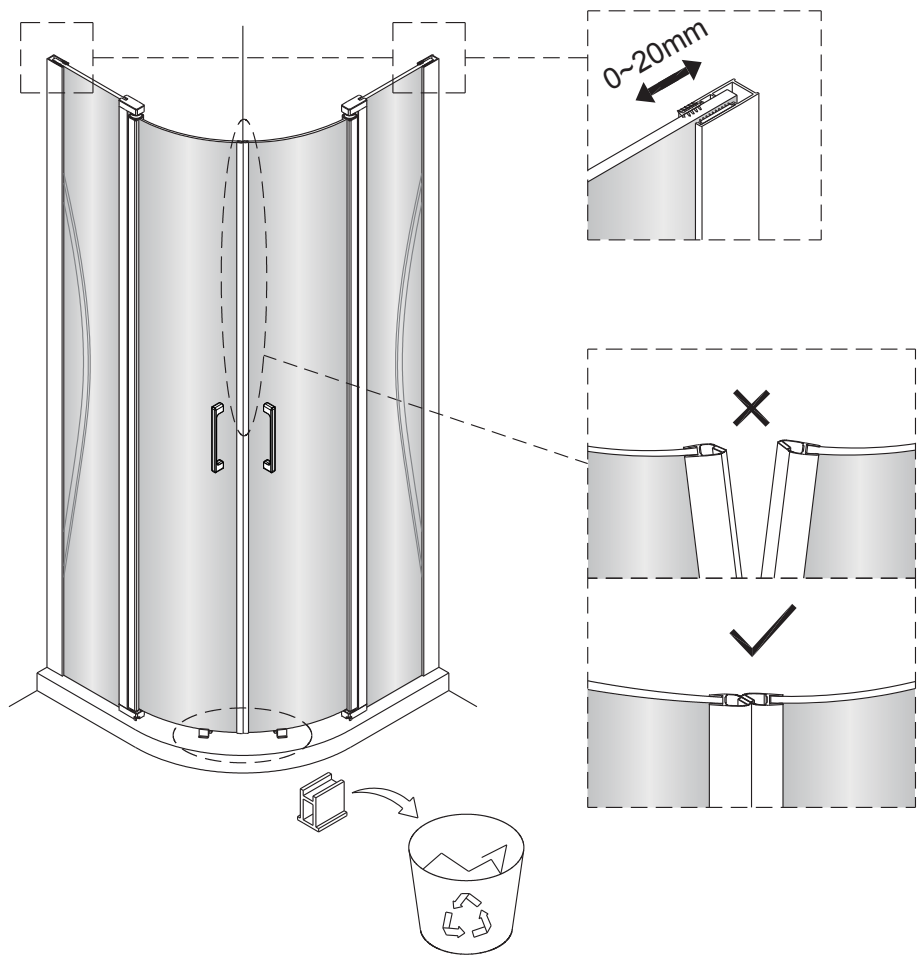
Poznámka: Vnitřní strana koutu  
- Easy Clean

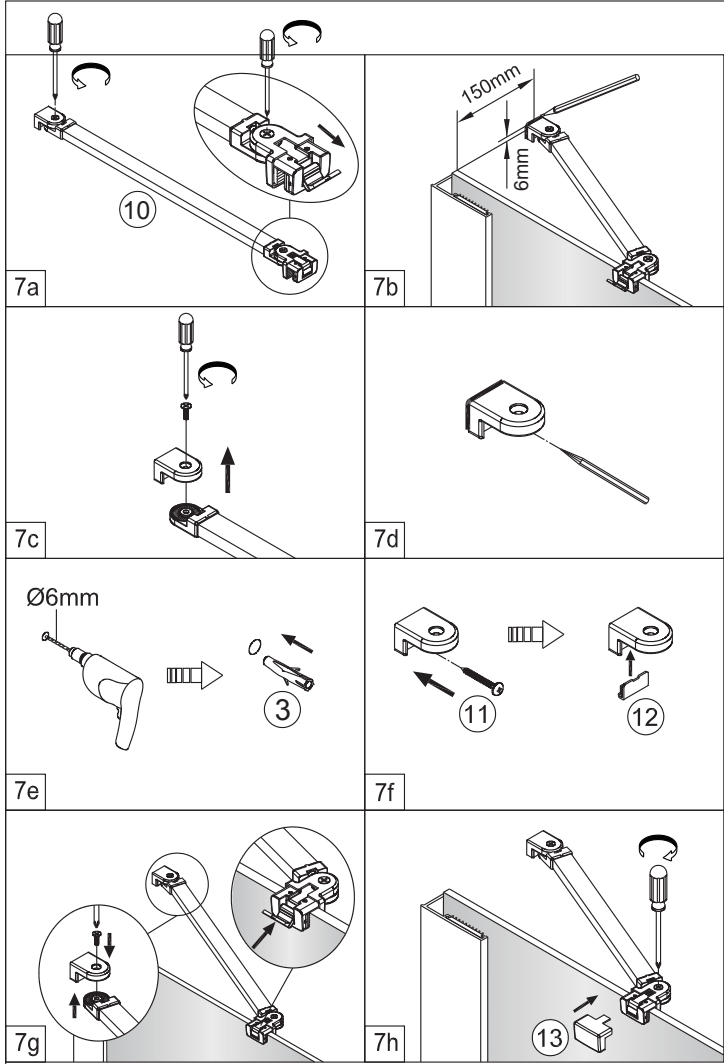


5

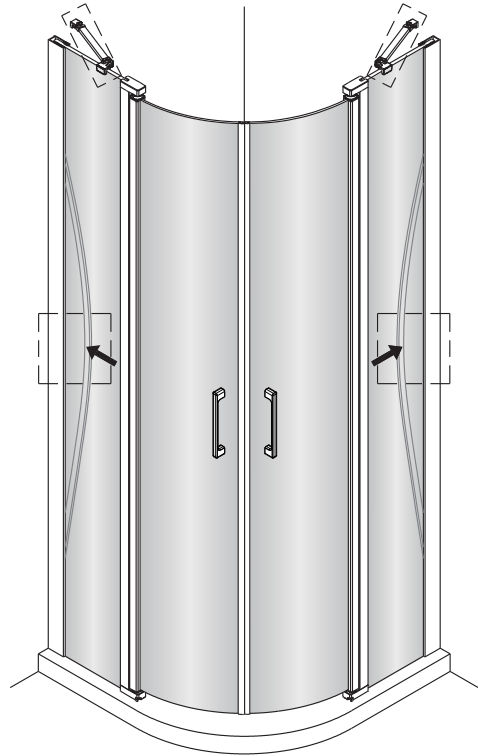
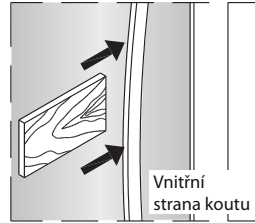


6

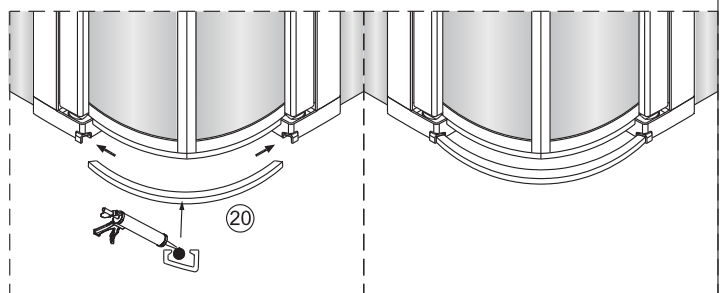
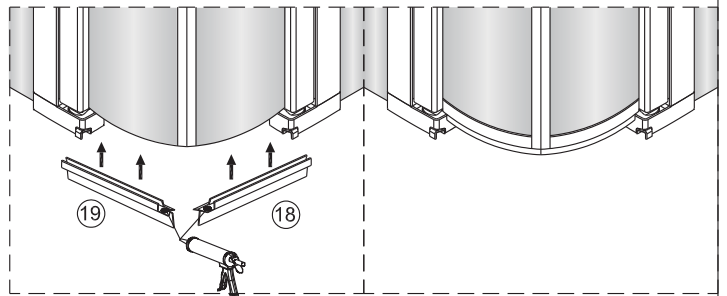
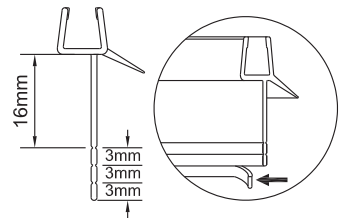




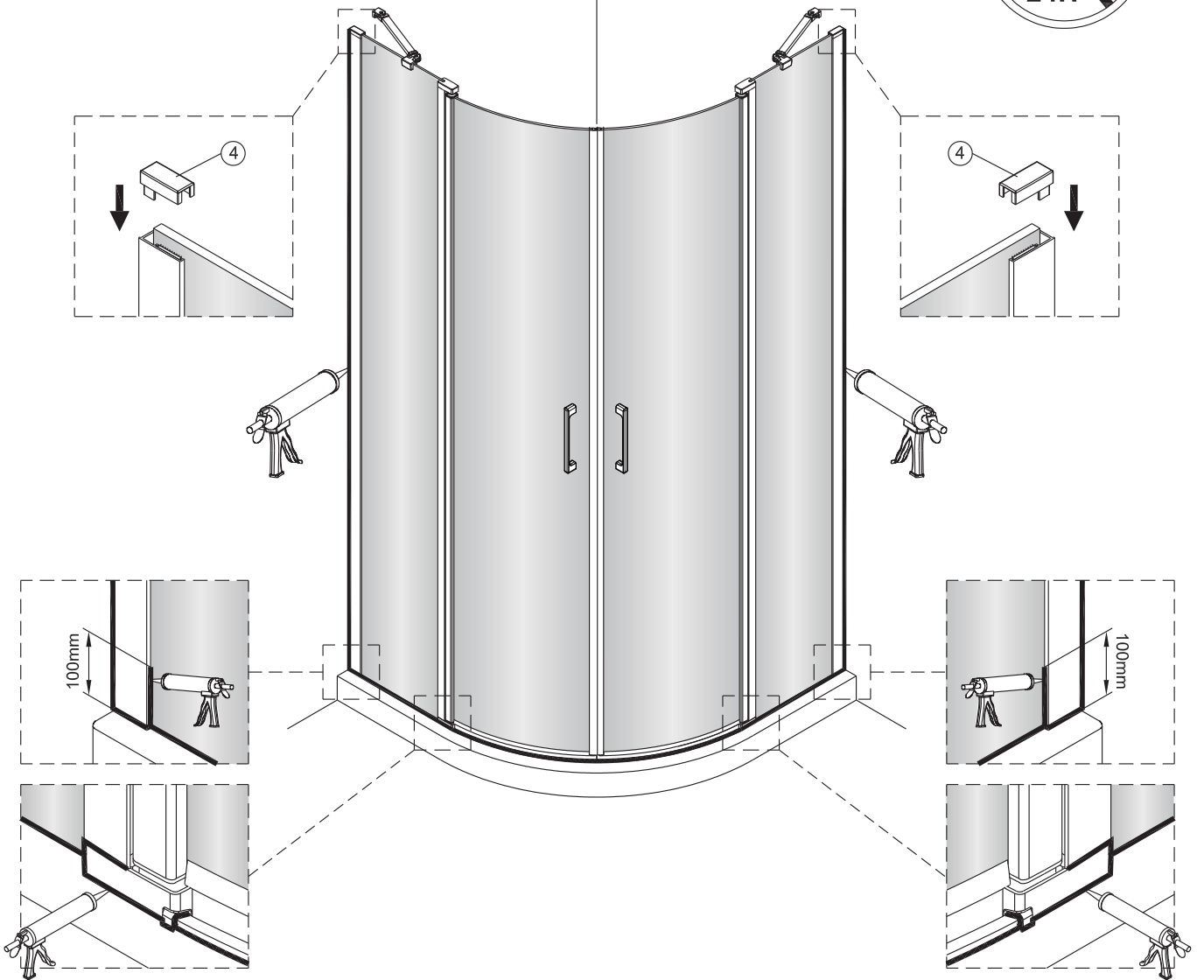
7



8



9



SAT® is registered trademark of



**Swiss  
Aqua  
Technologies**

**Swiss Aqua Technologies AG**  
Gewerbstrasse 9, 6330 Cham, Switzerland  
[www.swatec.ch](http://www.swatec.ch)  
Imported by SIKO KOUPELNY a.s.  
Made in P.R.C.