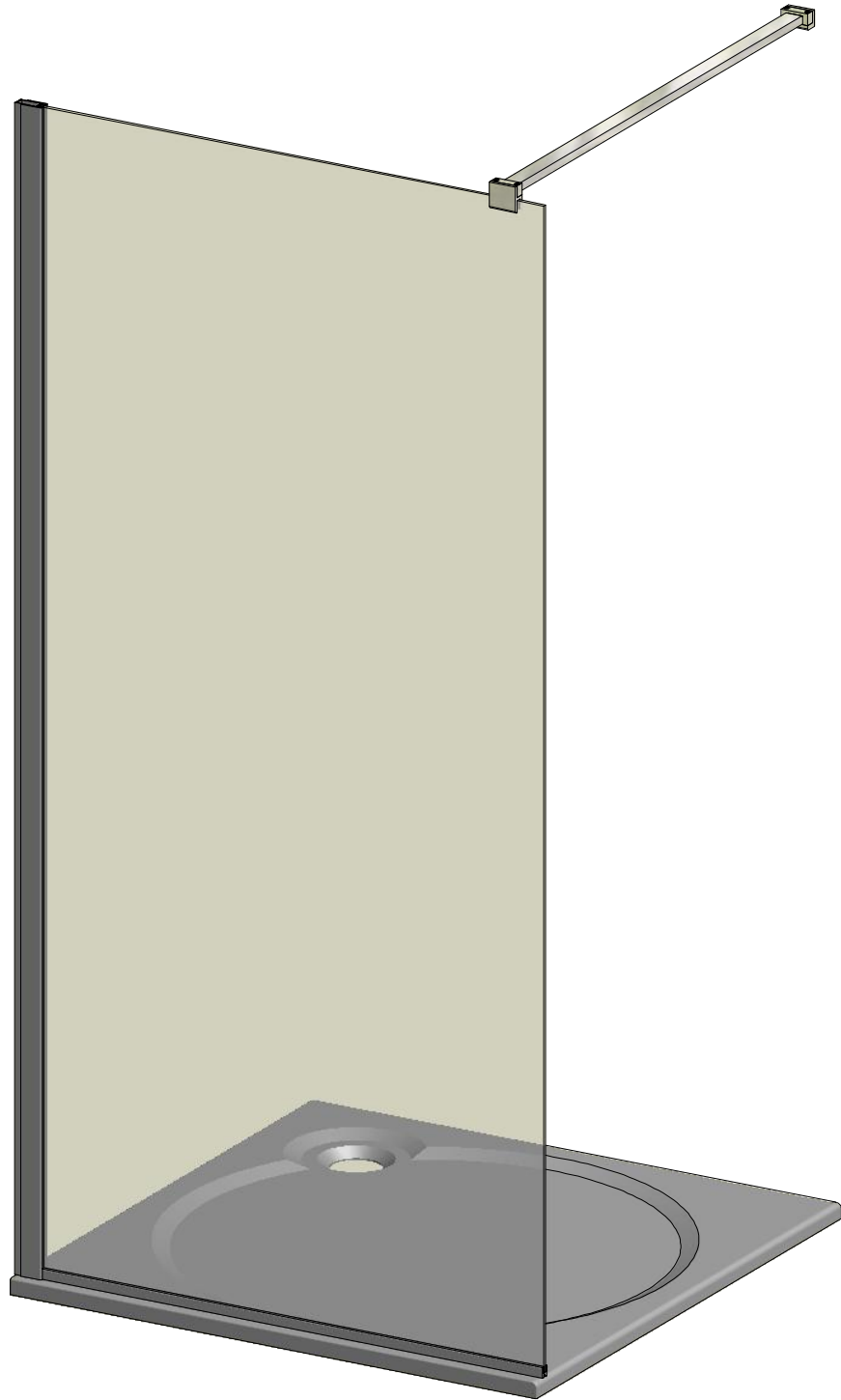


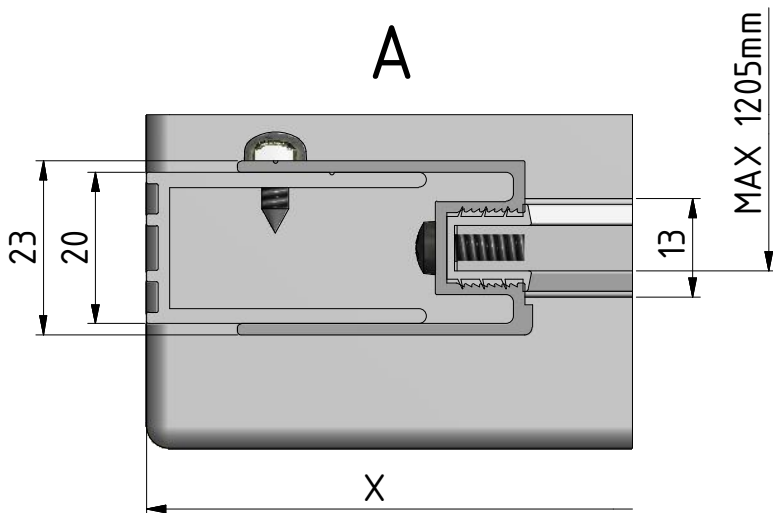
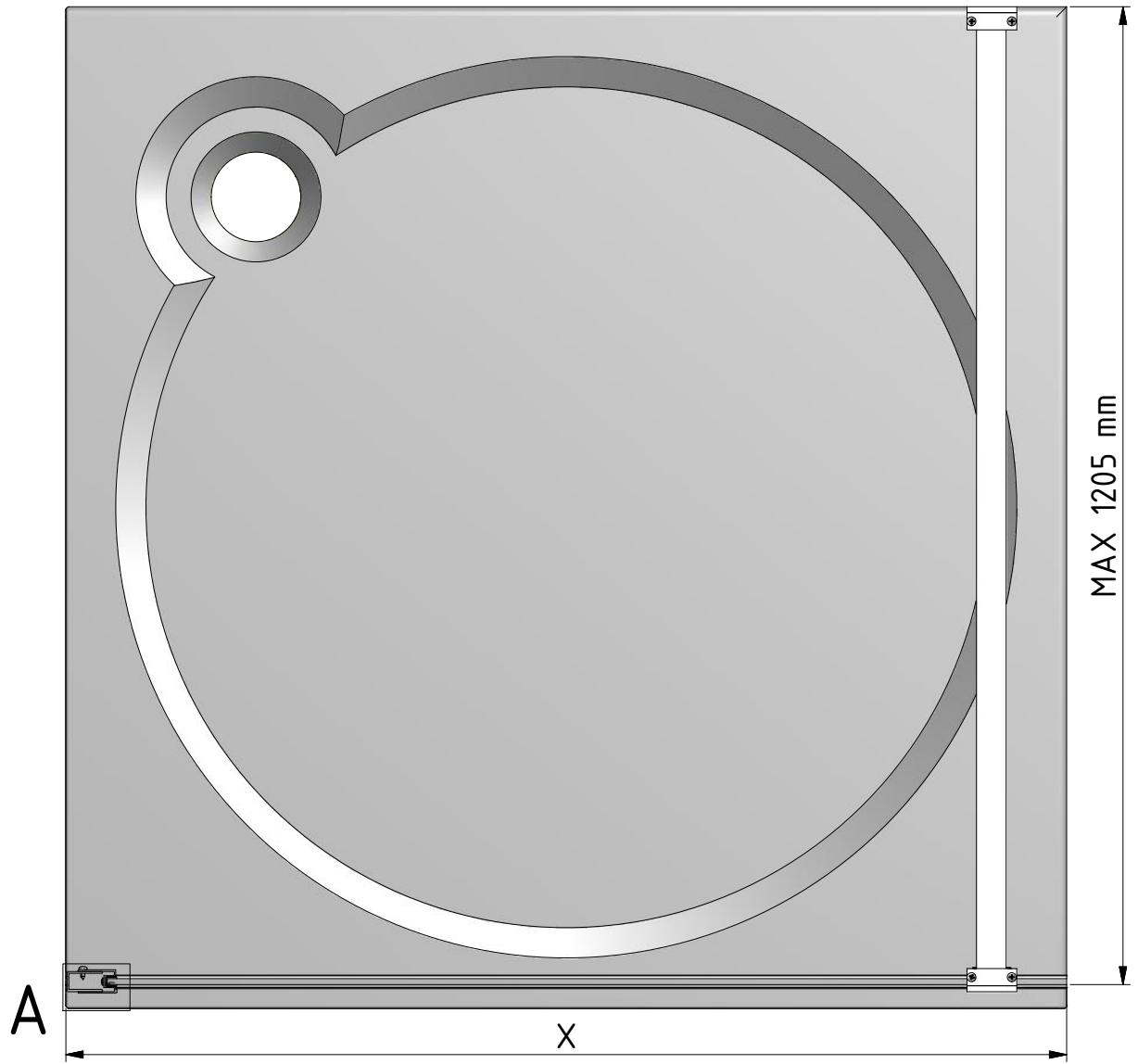
# ECWALK



Roth Czech s.r.o. ; Czech Republic, 569 33 Třebařov 160,  
tel.:+420 461 324 301/302, fax: +420 461 324 297,  
<http://www.roth-czech.cz>; e-mail: [objednavky@roth-czech.cz](mailto:objednavky@roth-czech.cz)

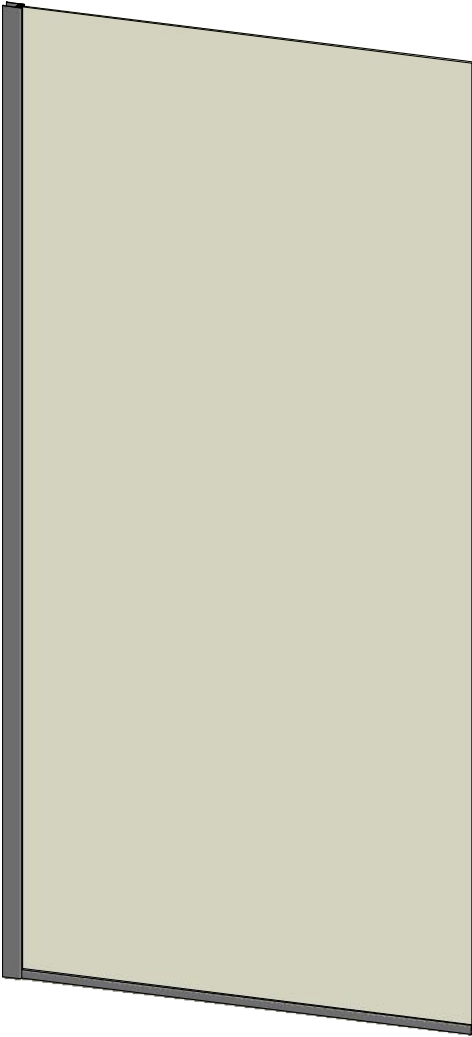
2020/02/06

Rev.:02  
MA7676

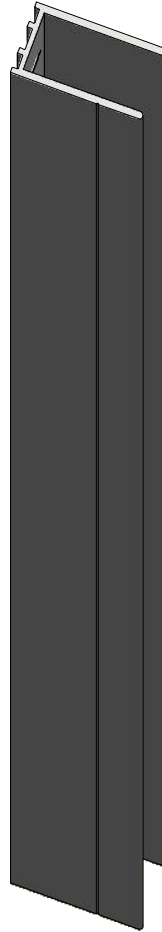


	X
900	888-912
1000	988-1012
1200	1188-1212
1400	1388-1412

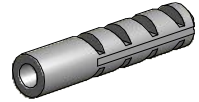
1. 1x  
V232



2. 1x (P293)



3. 3x (M0511)



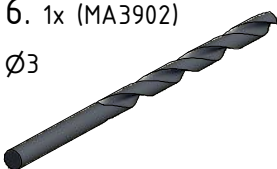
4. 3x (M0795)  
Ø3,5x38



5. 1x (P294)



6. 1x (MA3902)  
Ø3



7. 3x (M0806)  
Ø3,5x9,5

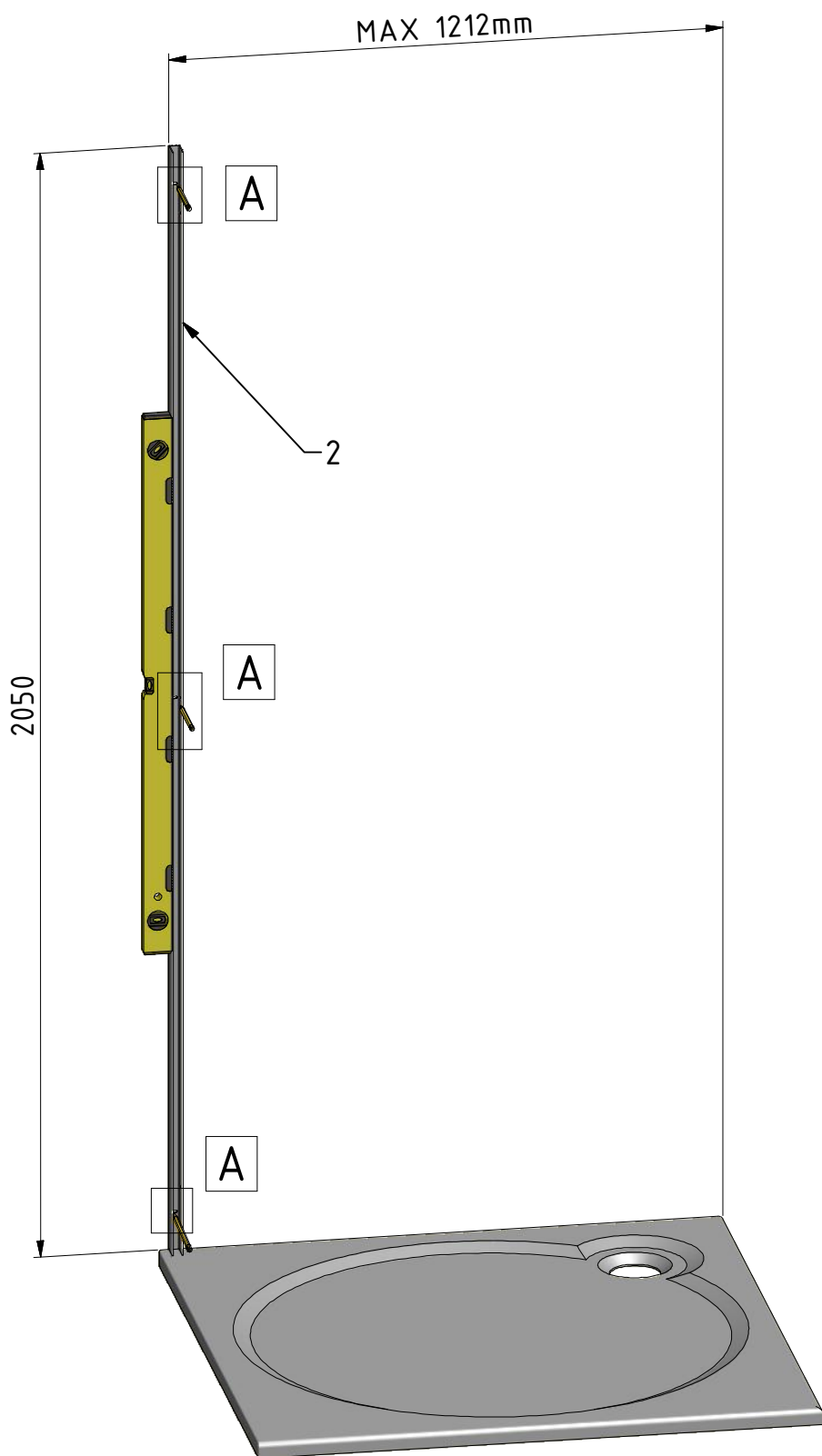


8. 3x (M30)

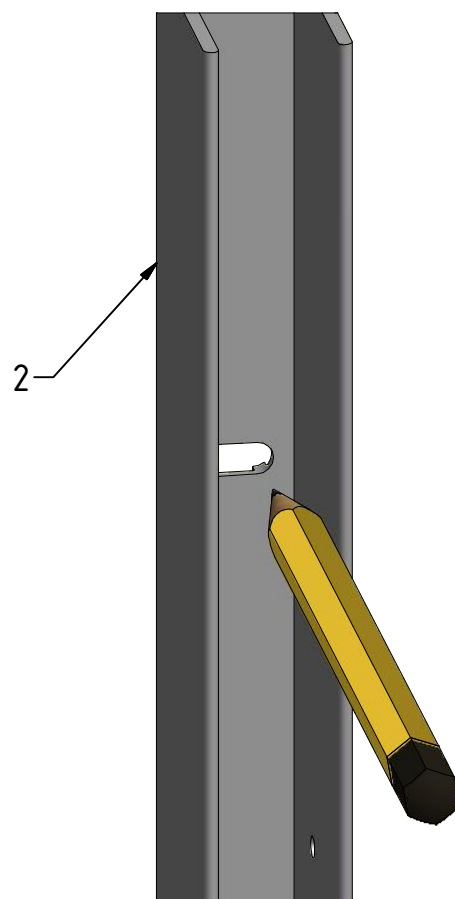


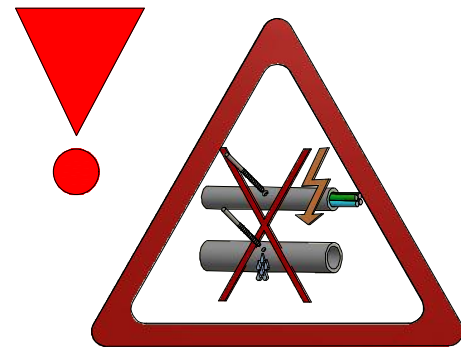
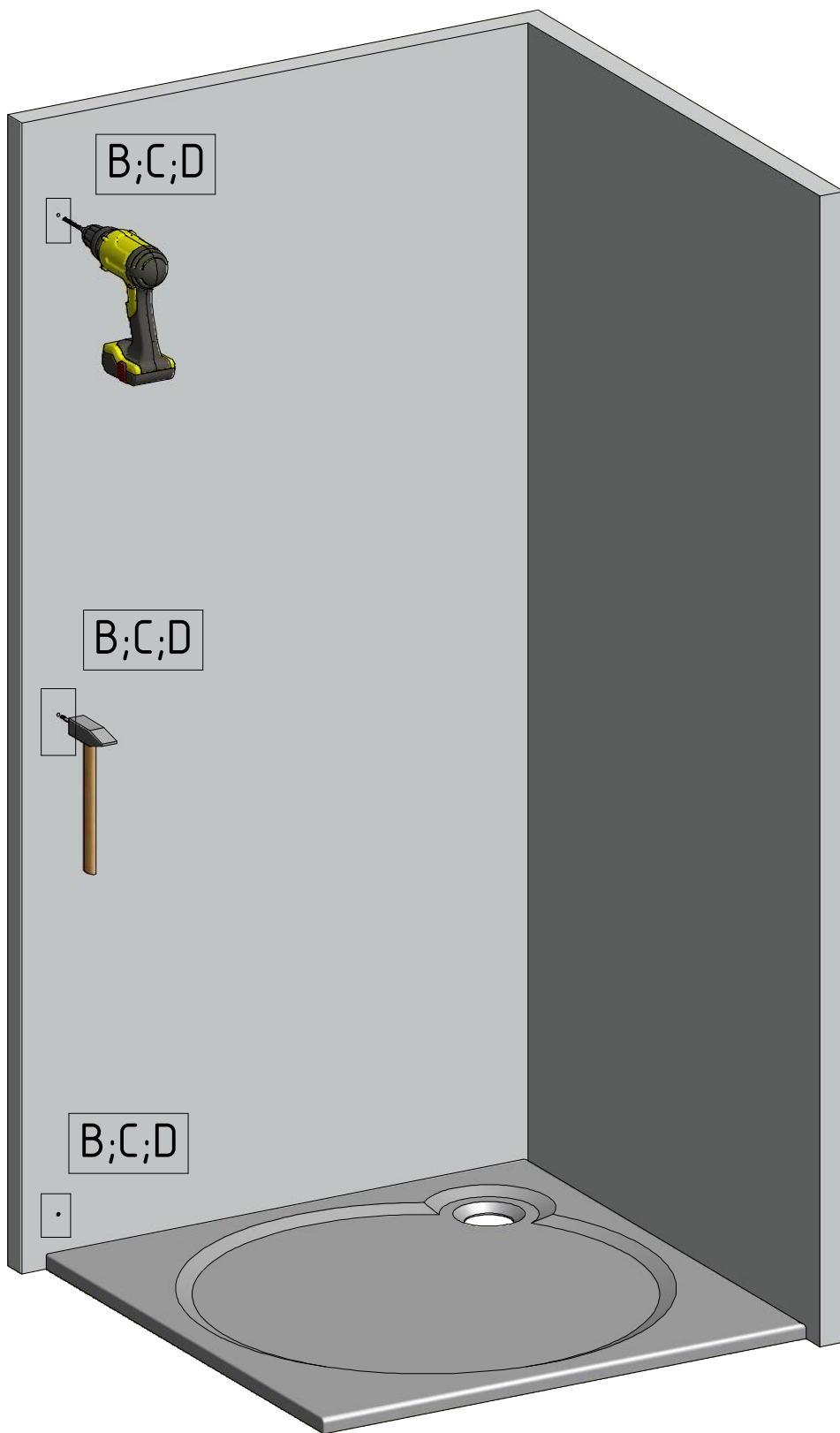
9. 1x (M0341)



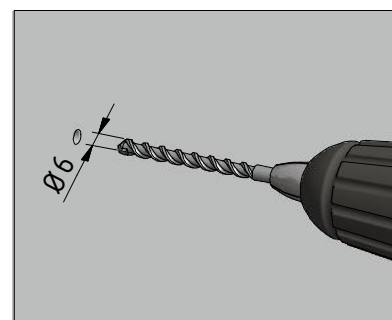


A 3x

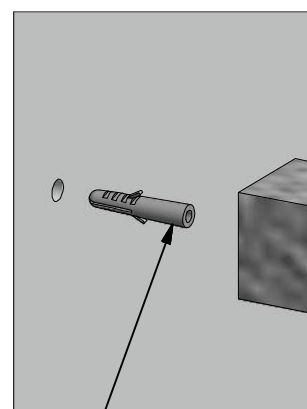




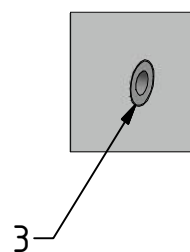
**B** 3x

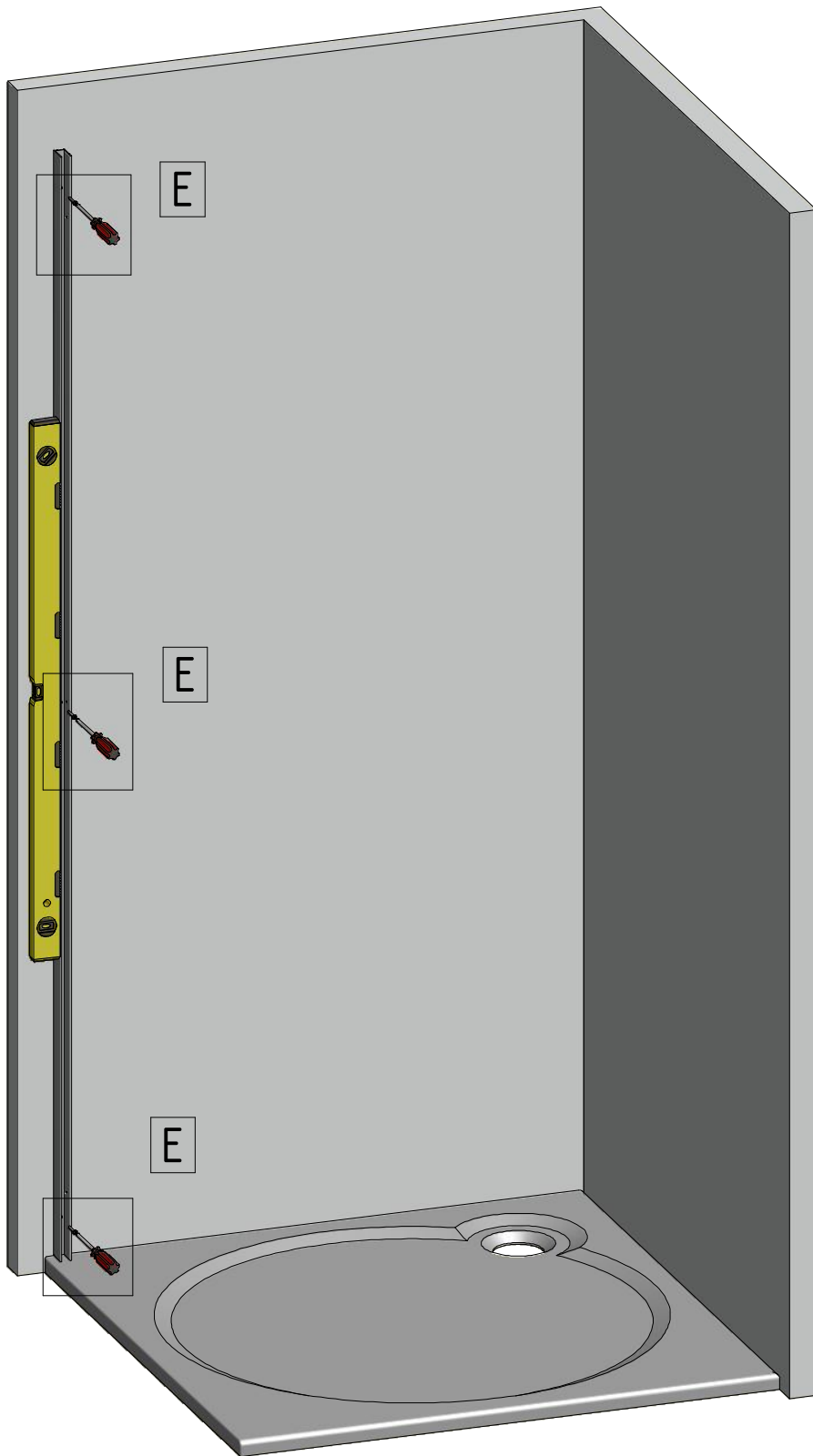


**C** 3x

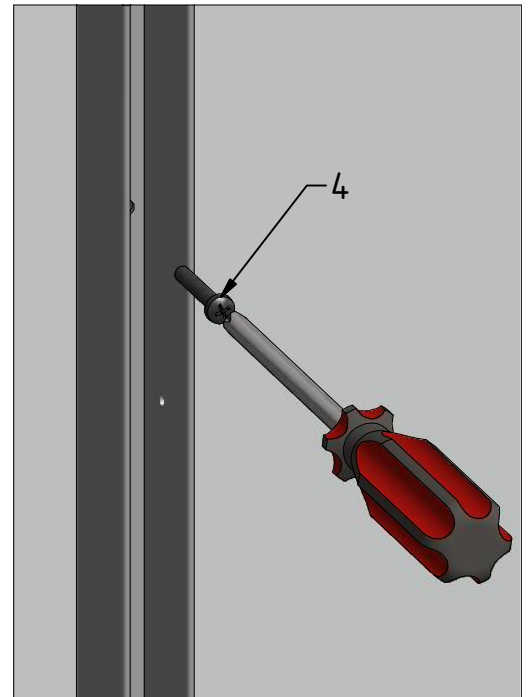


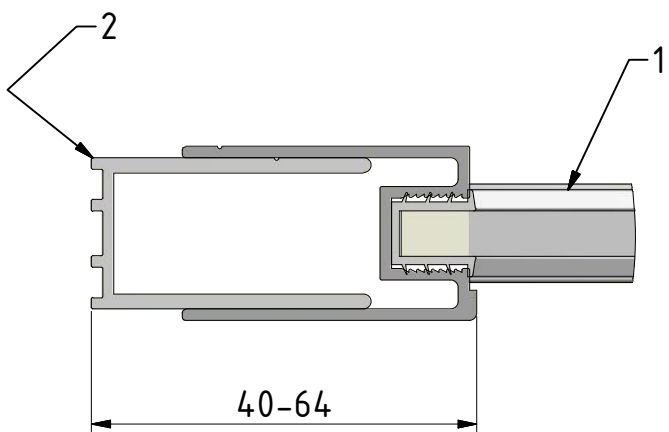
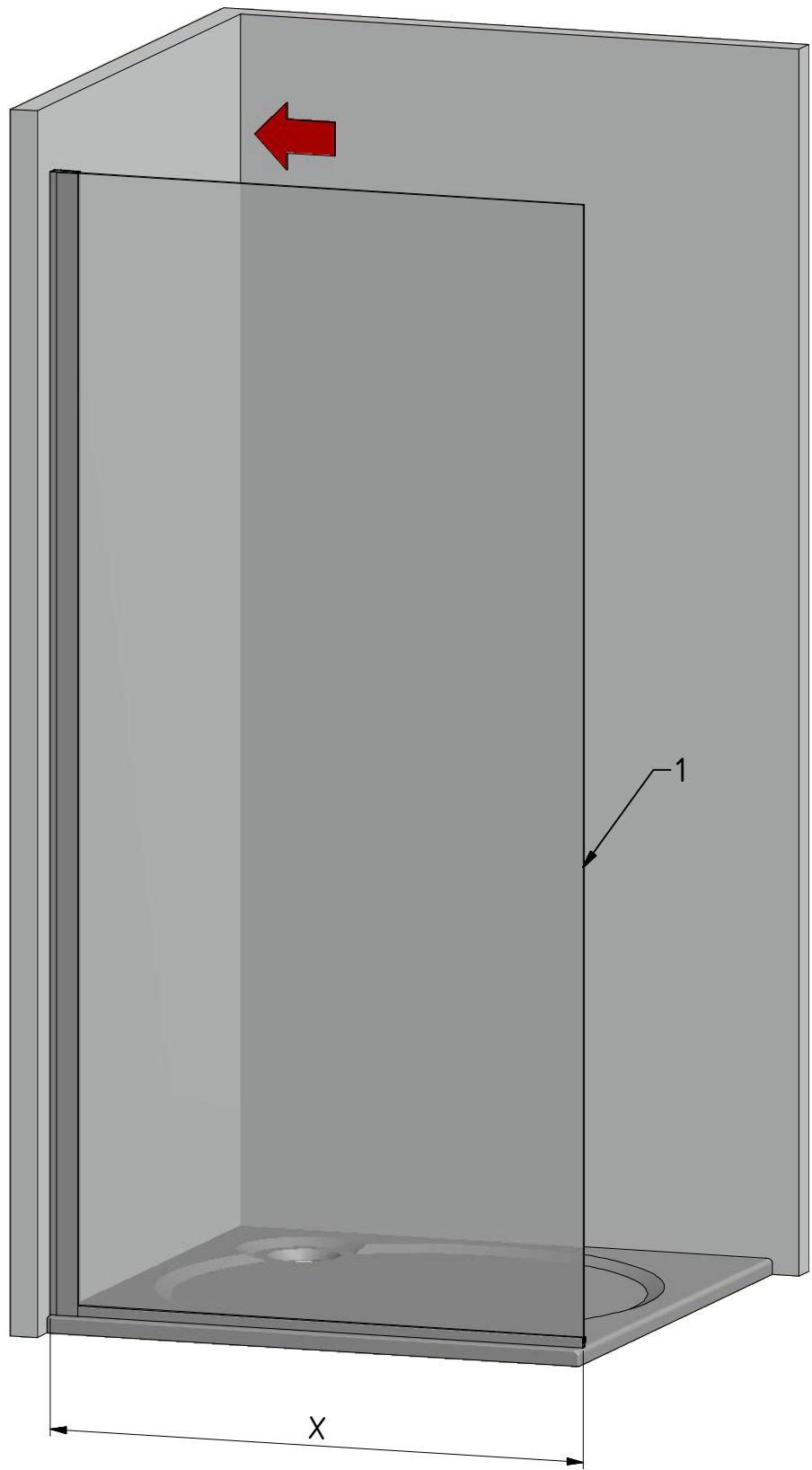
**D** 3x

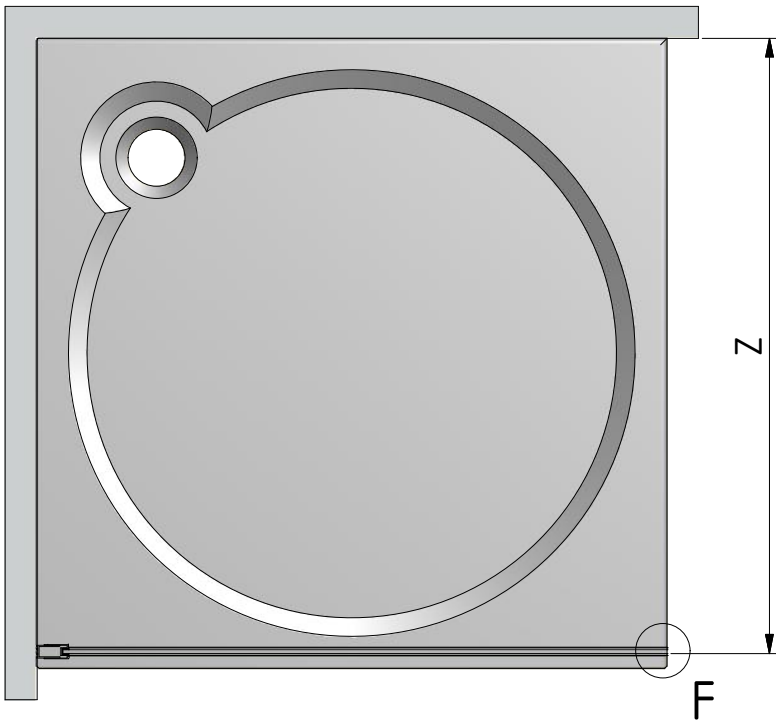




E 3x







F

Z

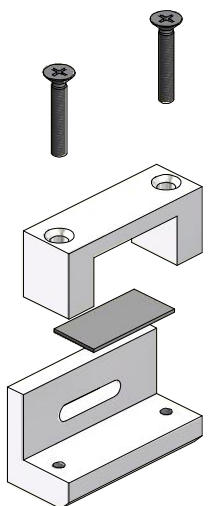
F

6

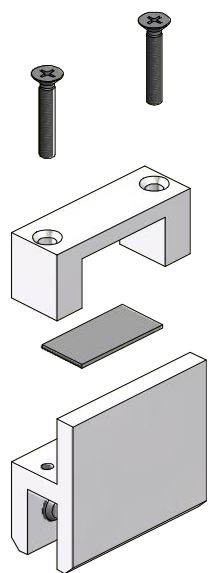
Z

GLASS 6mm

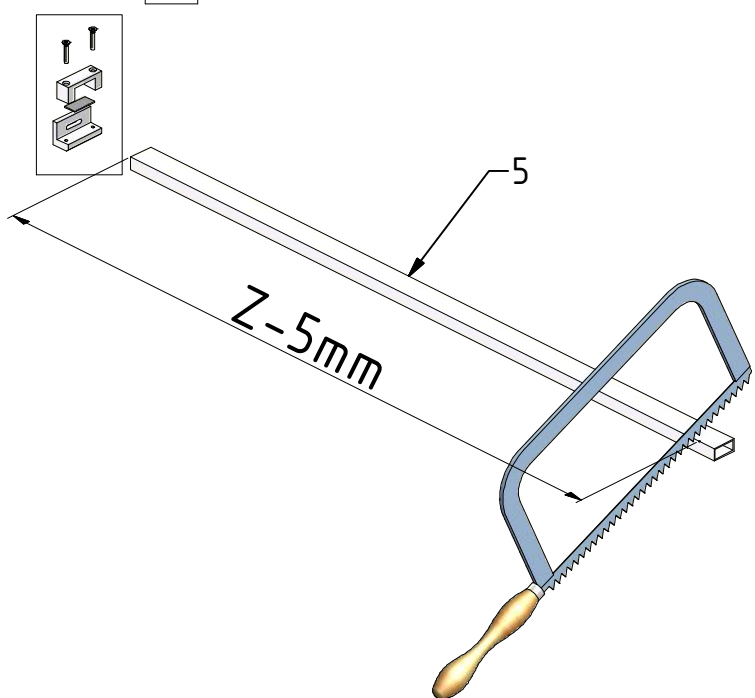
G



H



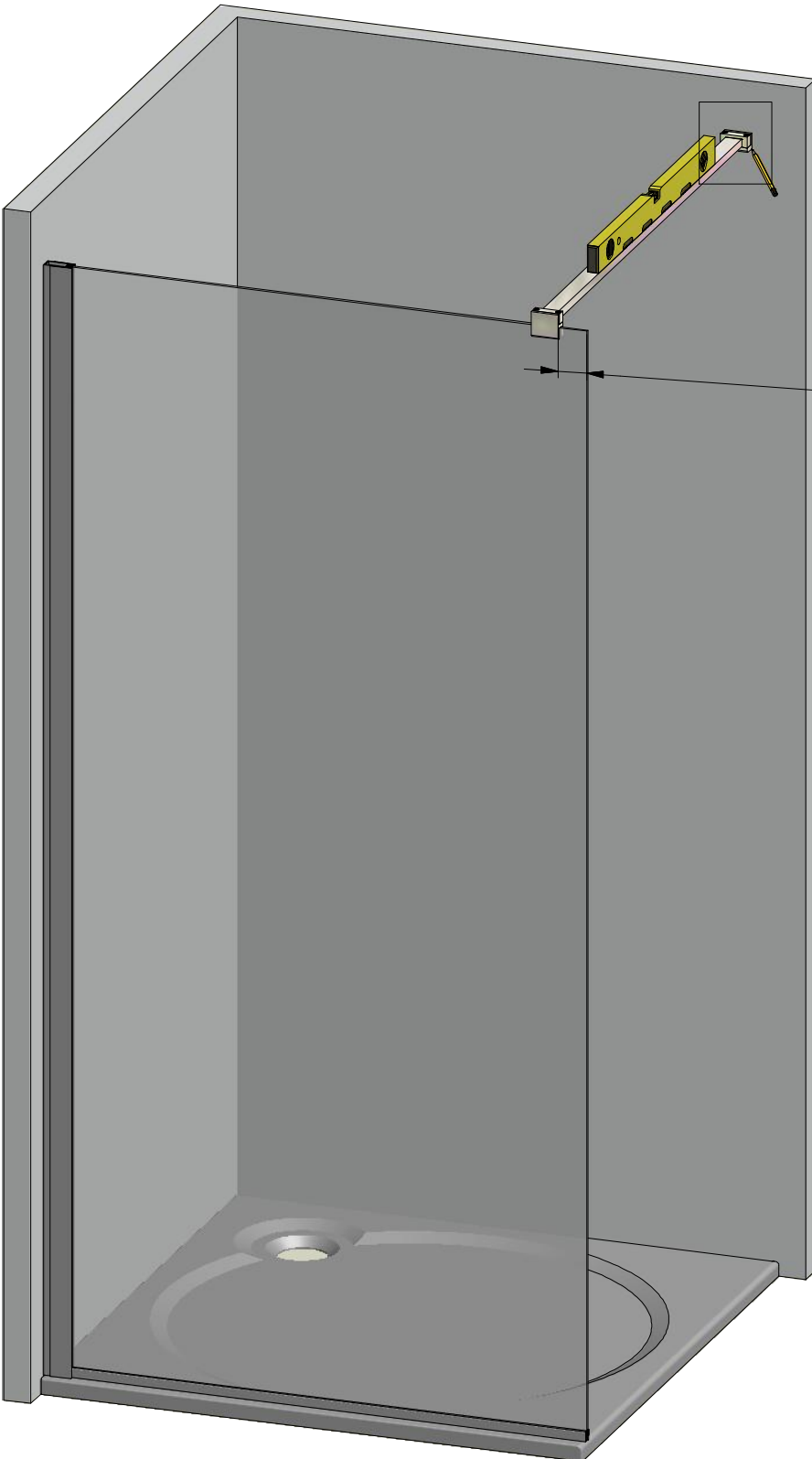
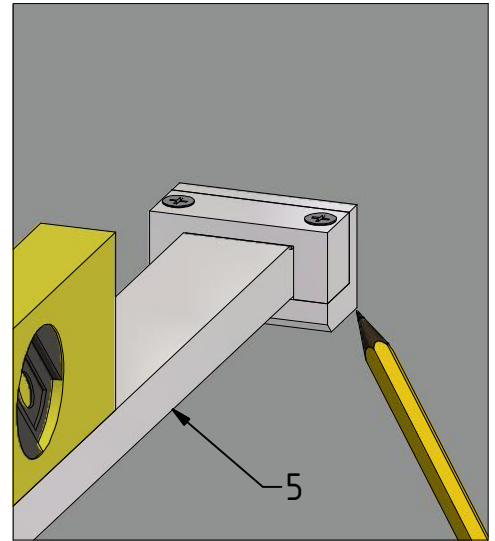
G



H

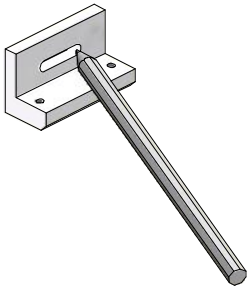


J1

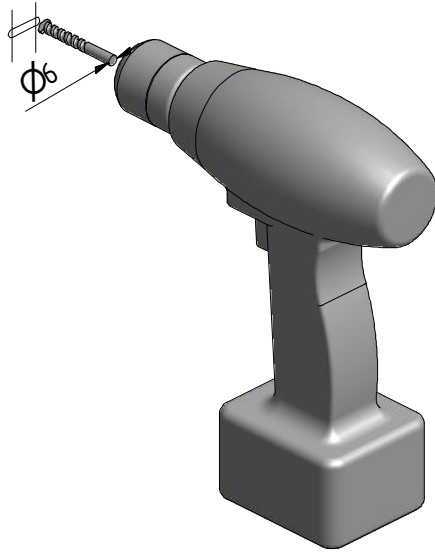


0-150mm

J2



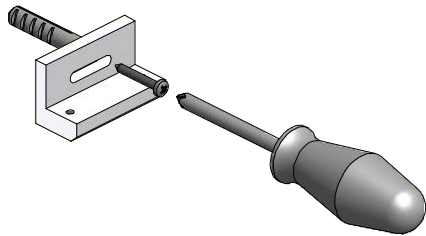
J3



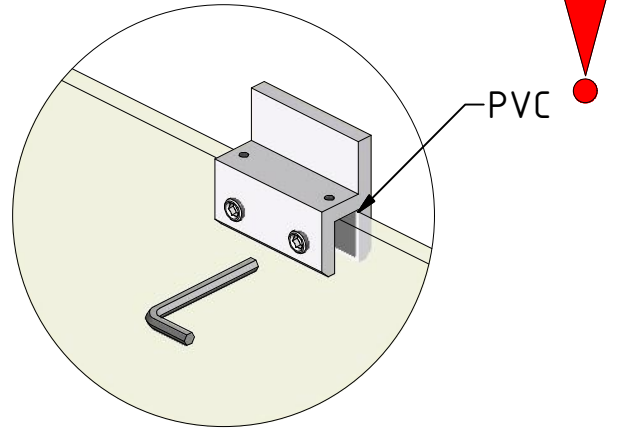
J4



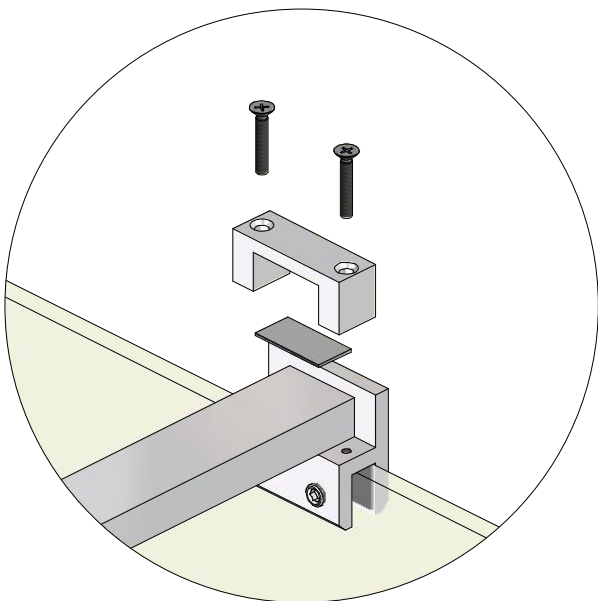
J5



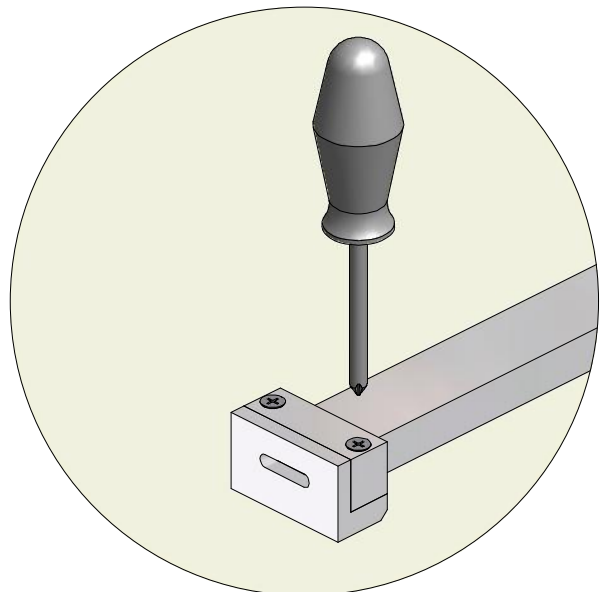
J6

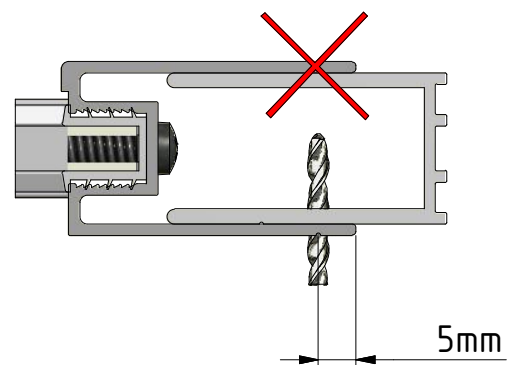
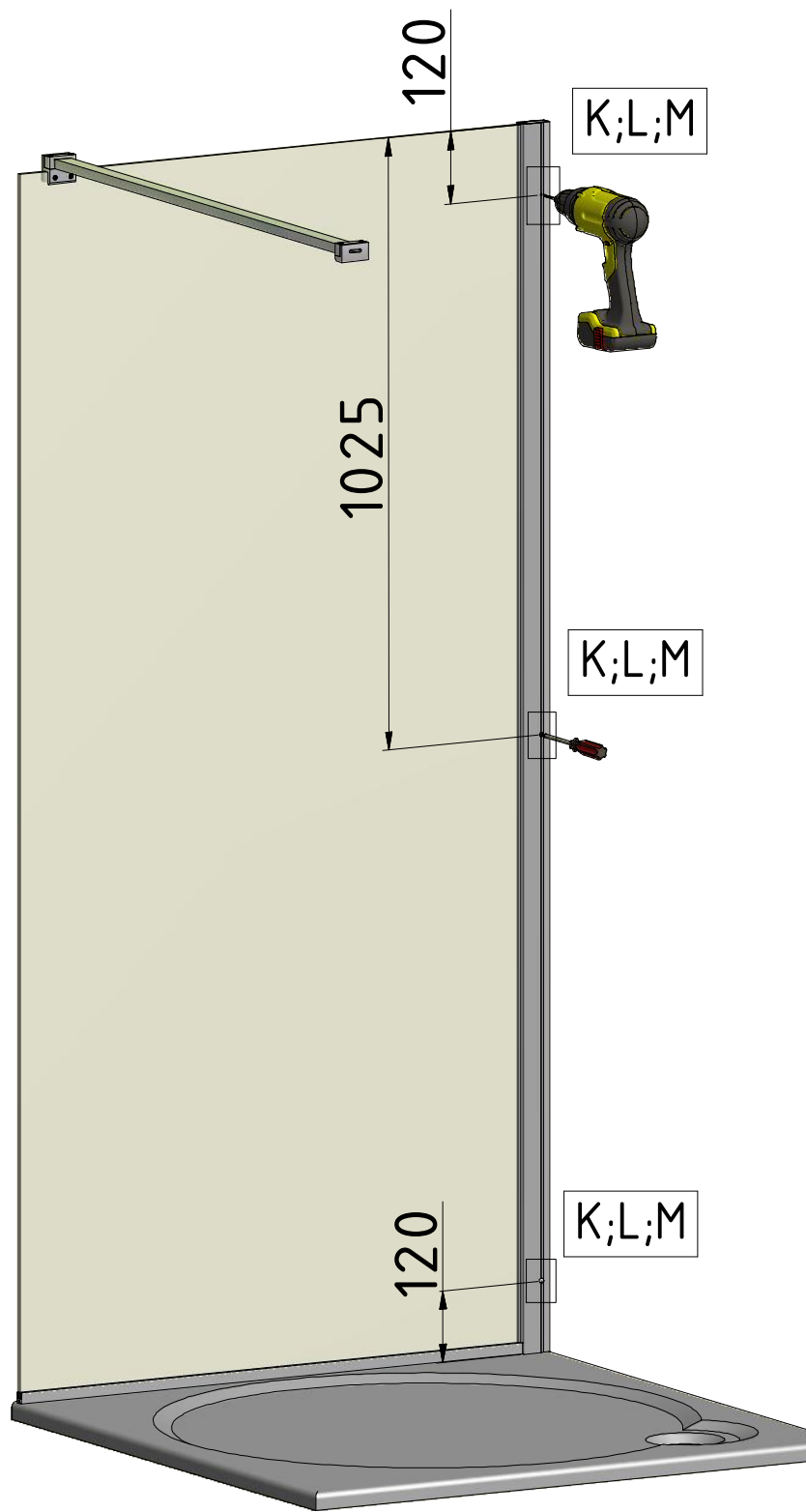
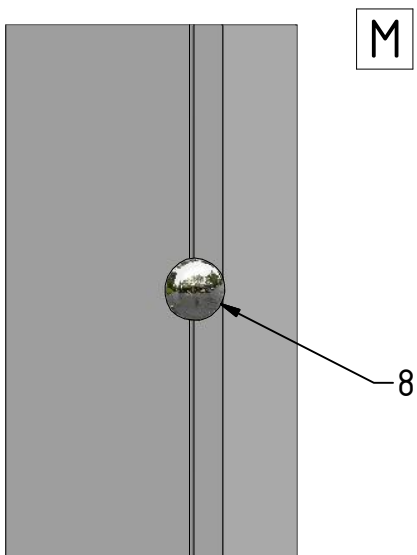
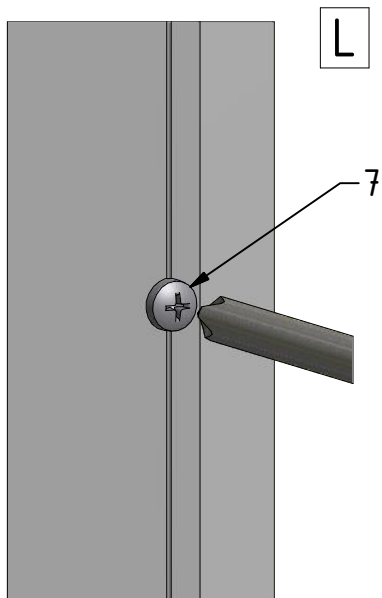
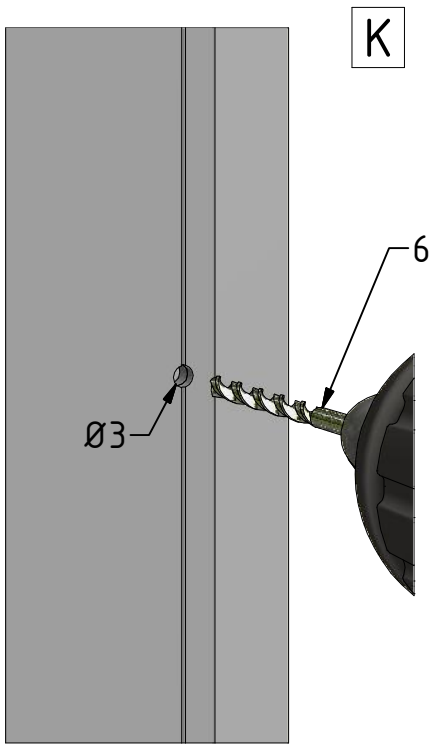


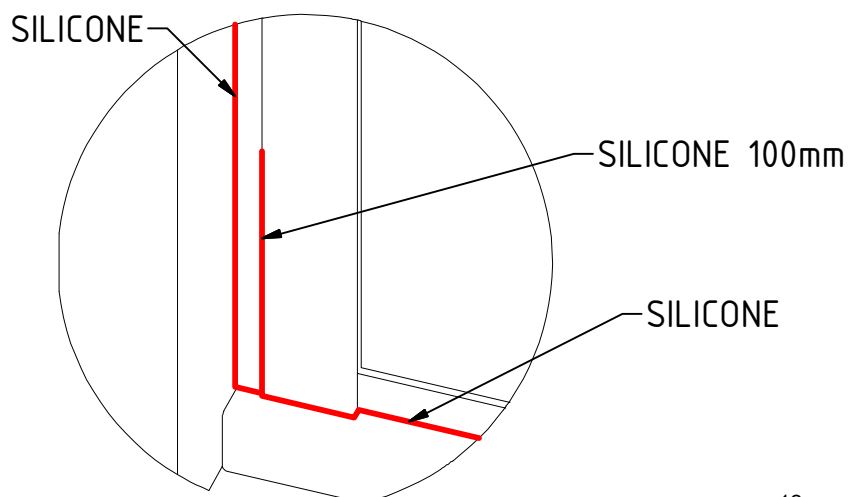
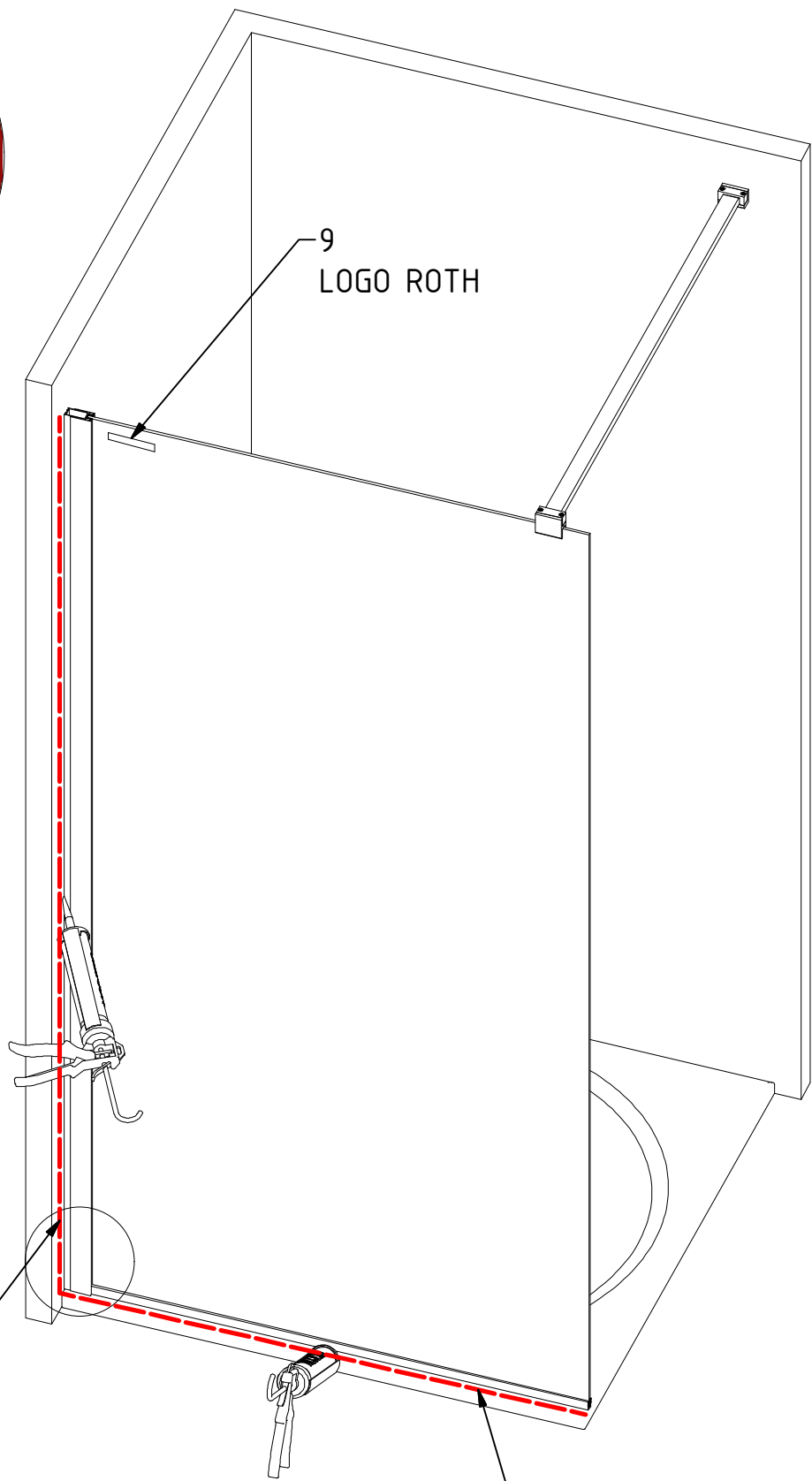
J7

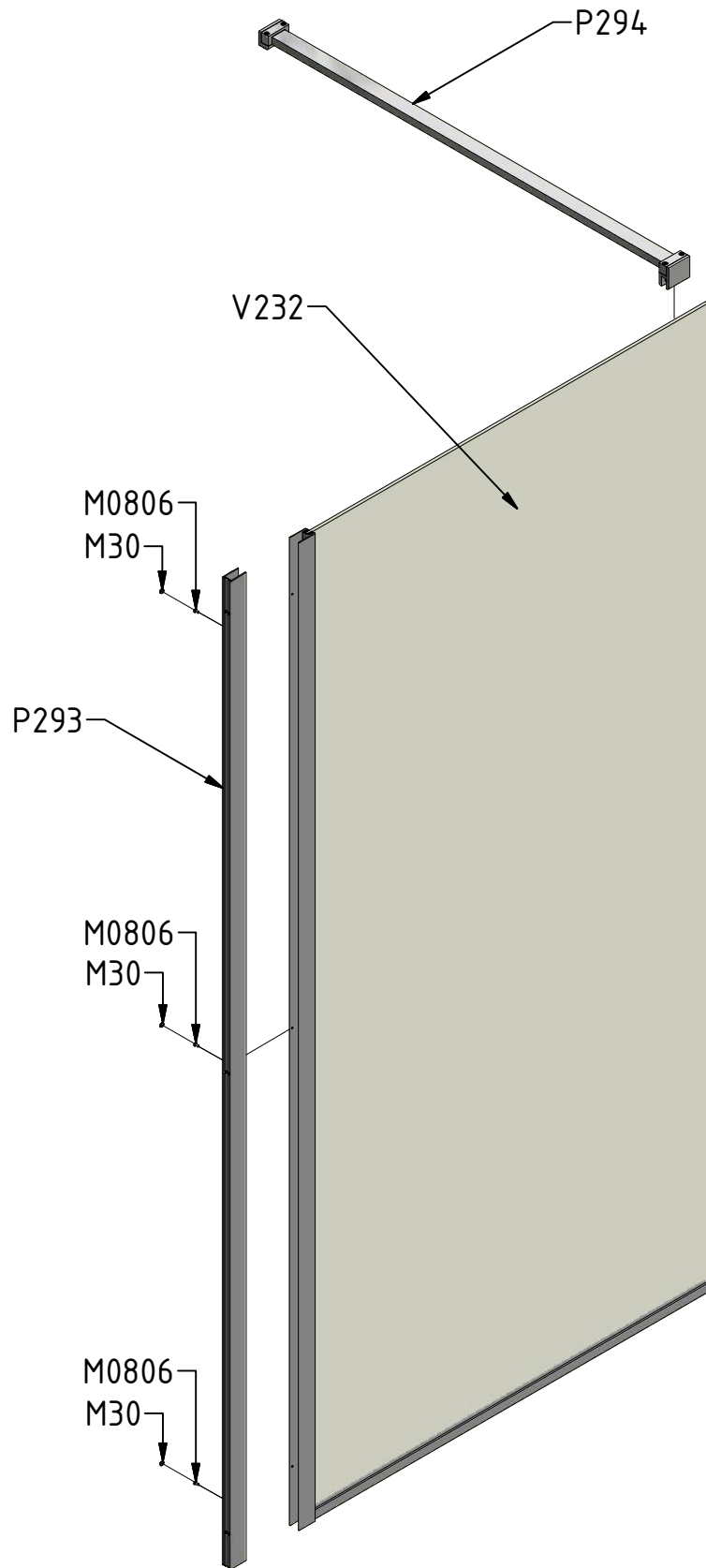


J8









V232	900	black + transparent	ND03-0759-05-02
	1000		ND03-0760-05-02
	1200		ND03-0761-05-02
	1400		ND03-0762-05-02
	900	brillant + transparent	ND03-0759-00-02
	1000		ND03-0760-00-02
	1200		ND03-0761-00-02
	1400		ND03-0762-00-02

P293		brillant	P3484
		Black	P3485

P294		brillant	P5343
		Black	P4620

M30		brillant	M1907
		Black	MA7675