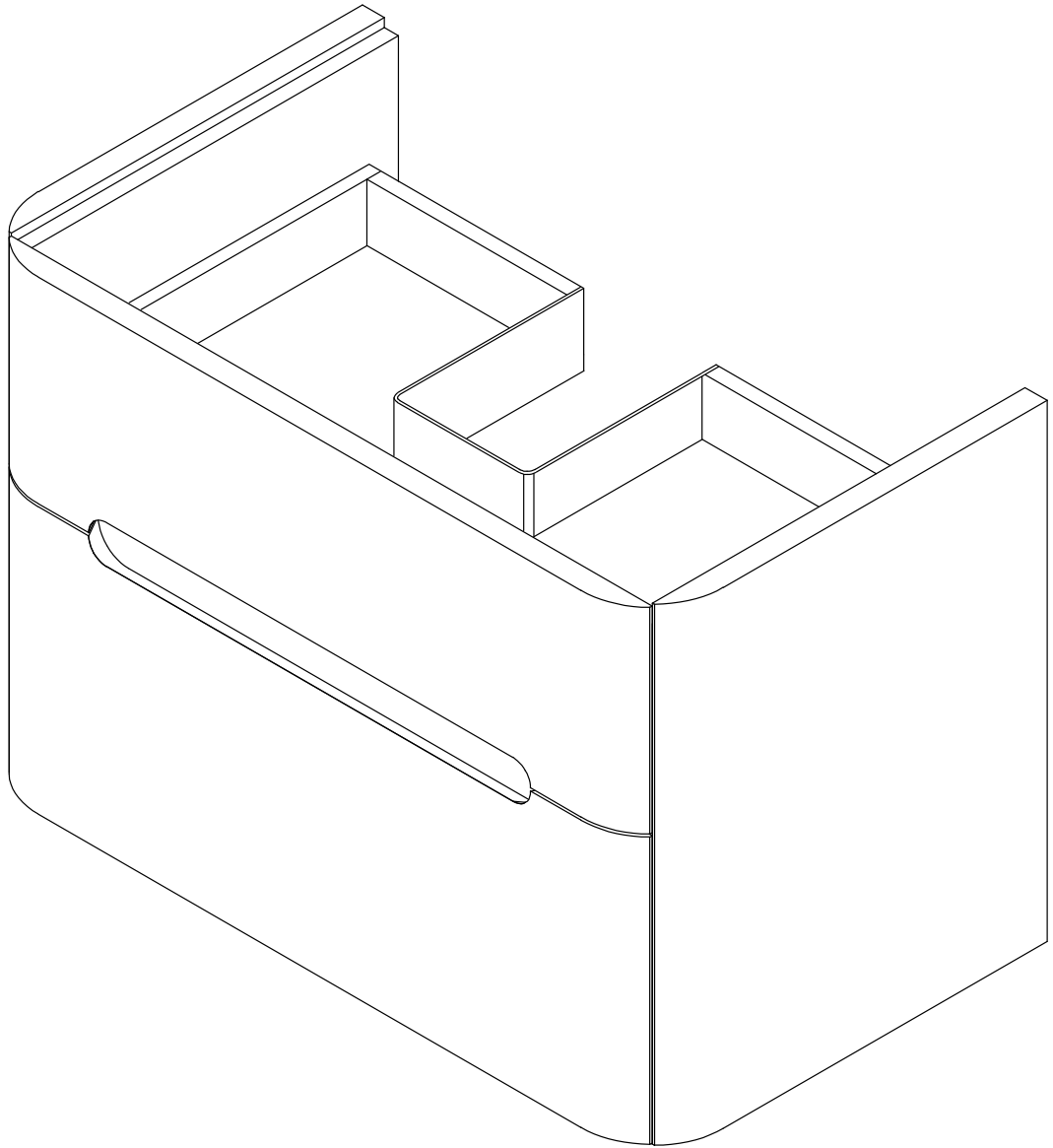


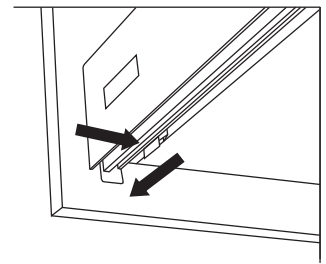
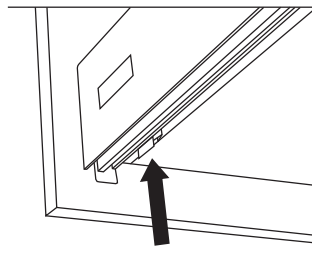
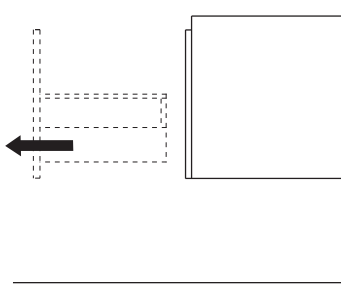


**SAT**

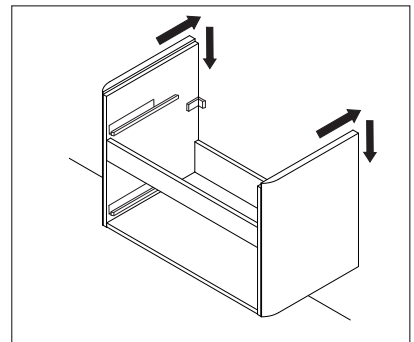
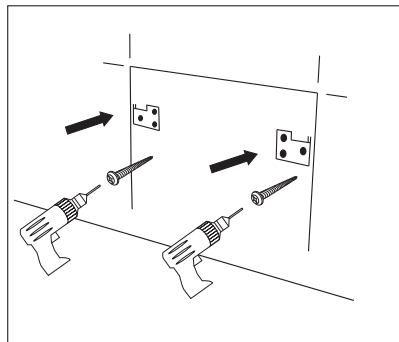
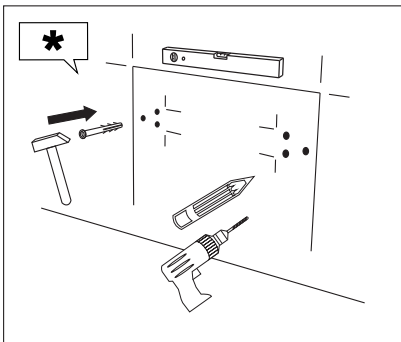
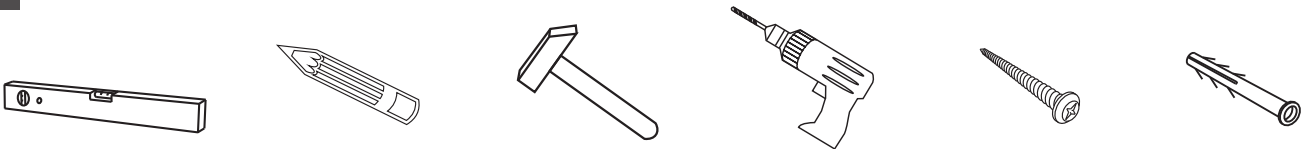
**SATFUSION2100BE  
SATFUSION2100W**



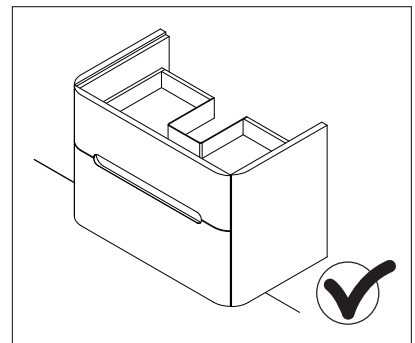
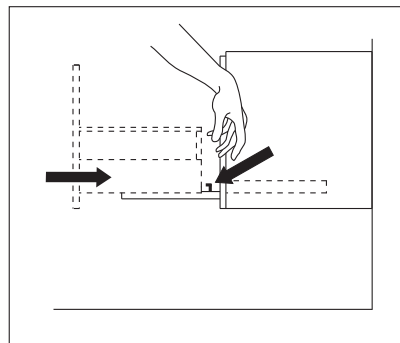
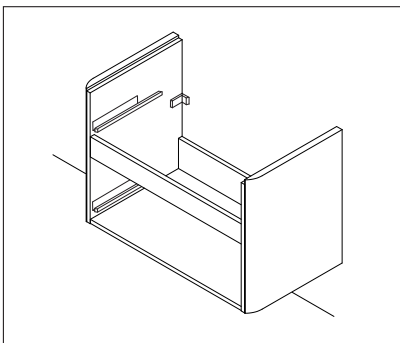
1

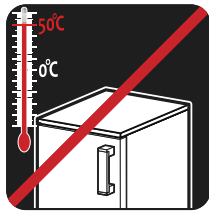
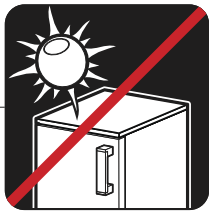
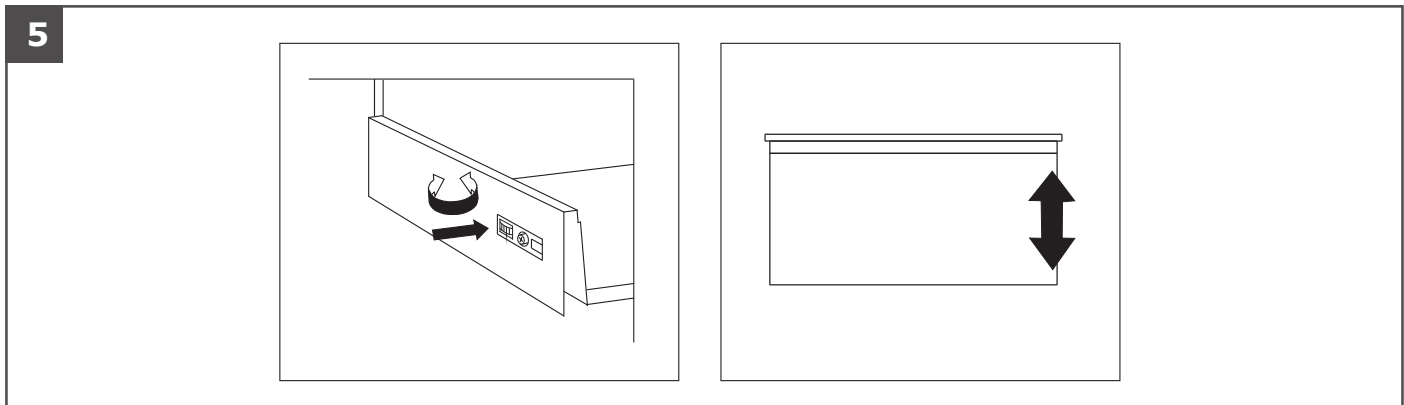
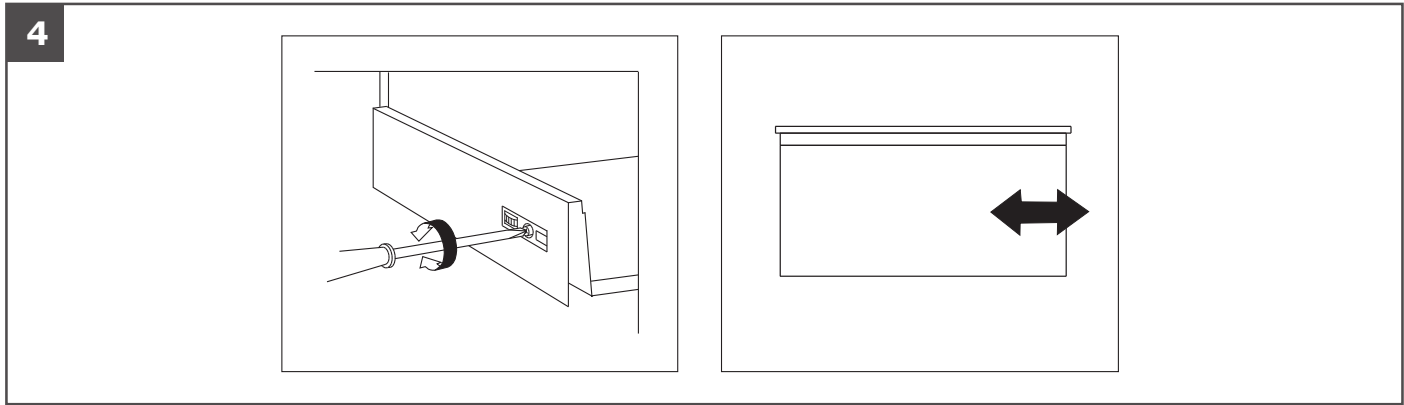


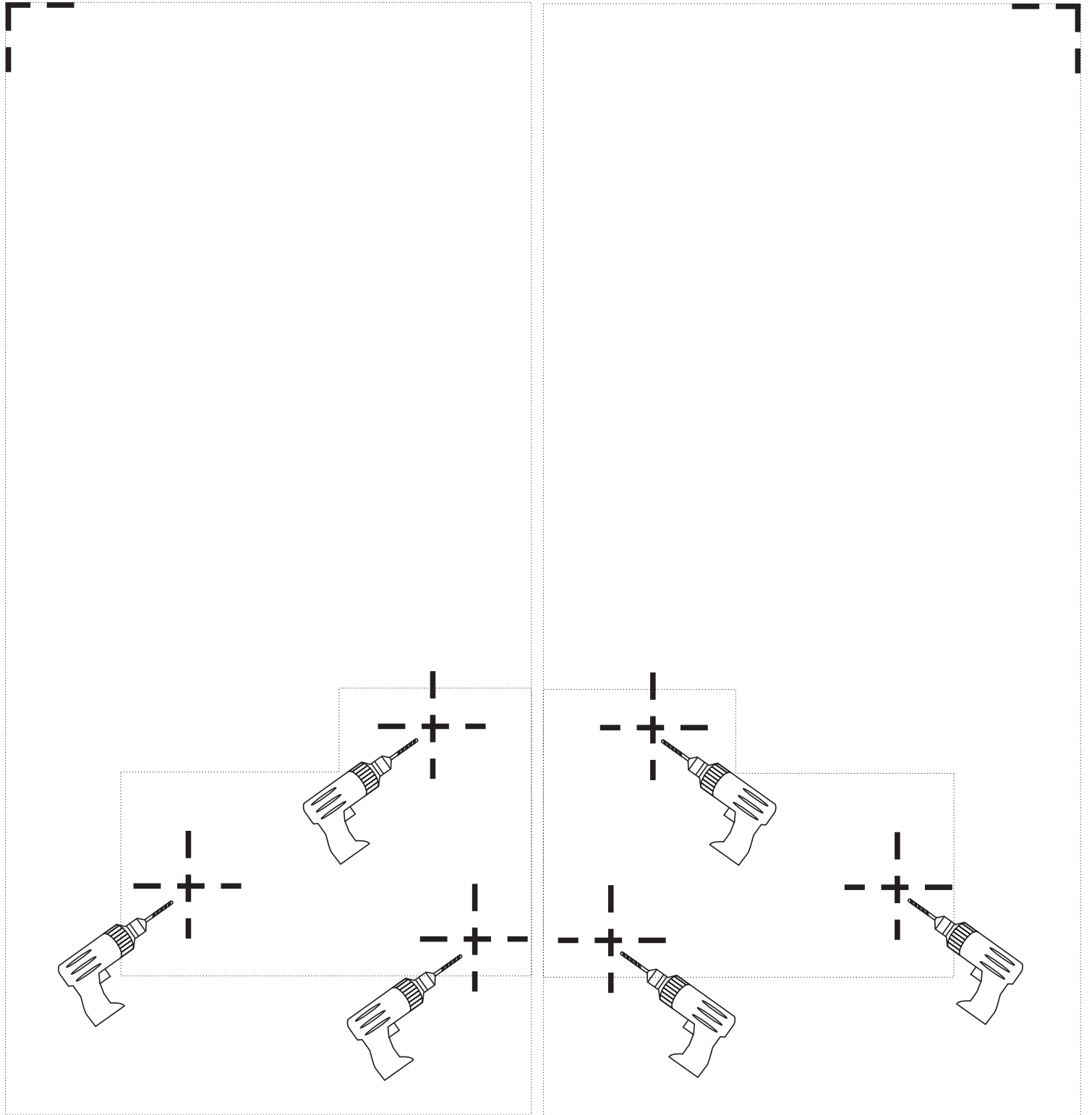
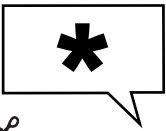
2



3







SAT® is registered trademark of



**Swiss Aqua Technologies AG**  
Gewerbstrasse 9, 6330 Cham, Switzerland  
[www.swatec.ch](http://www.swatec.ch)  
Imported by SIKO KOUPELNY a.s.  
Made in Czech Republic